

Electronics

Motor: _____ Timing: _____

ESC: _____ Battery: _____

Servo: _____ Receiver: _____

Gearing

Spur: _____ Pinion: _____ Final Ratio: _____

Aerodynamics

Body: _____

Front wing: _____

Rear wing: _____

Center Shock

Spring: _____ Oil: _____

Piston: _____ Rebound (%): _____

FP Spring: _____

Length: _____ Preload: _____

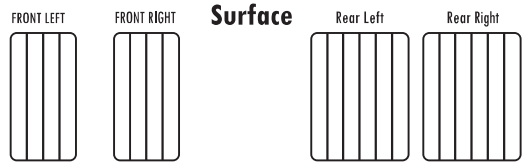
Side Shock

Spring: _____ Oil: _____

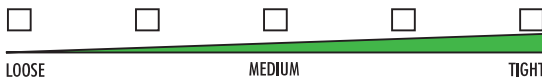
_____ - Tires - _____

_____ - Additive - _____

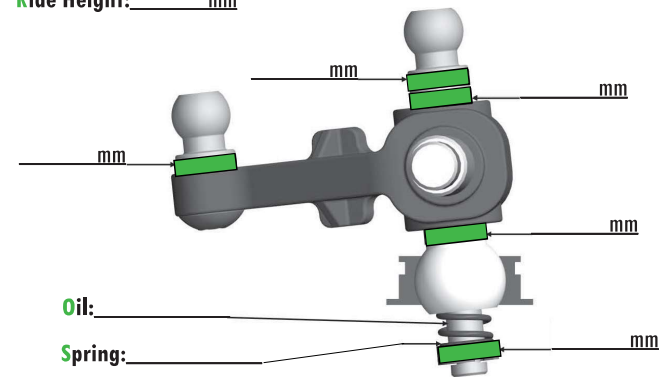
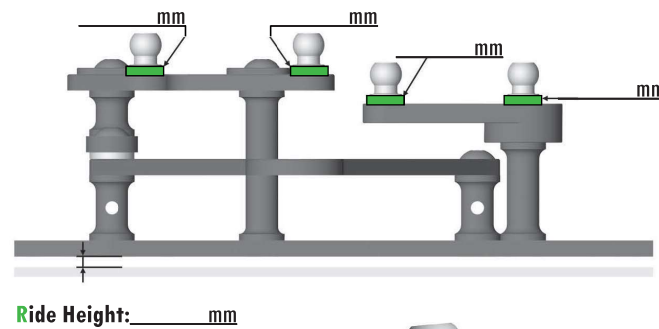
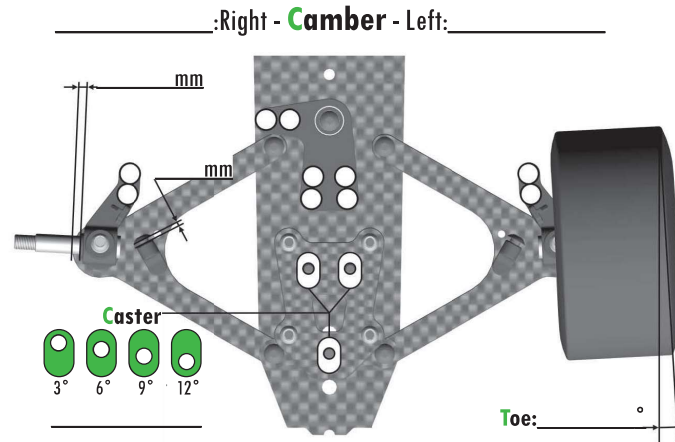
_____ - Additive Time - _____



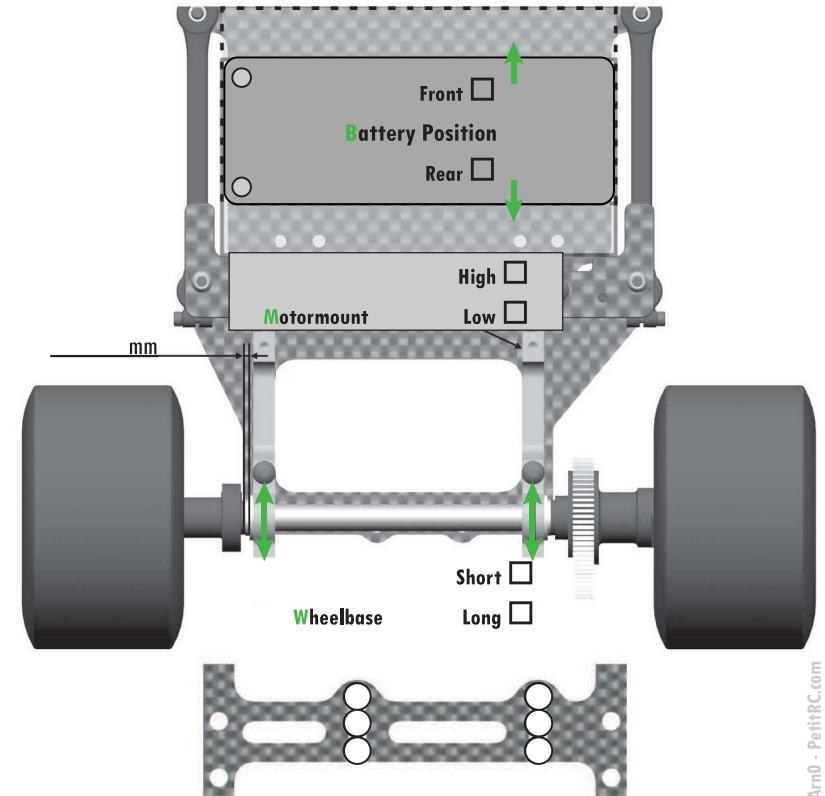
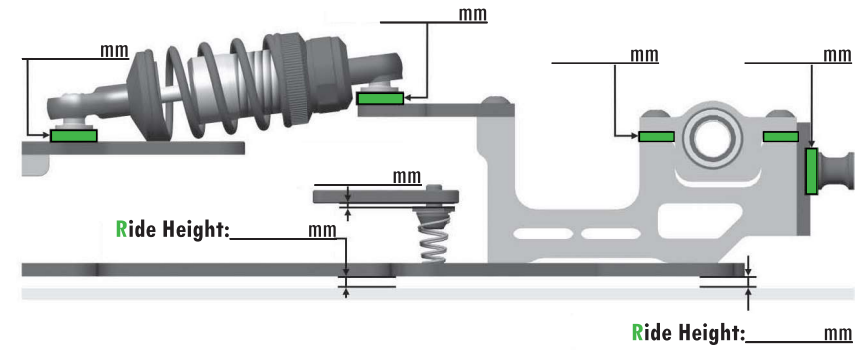
Differential Setting



Comments



Comments



Comments