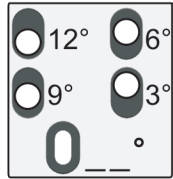
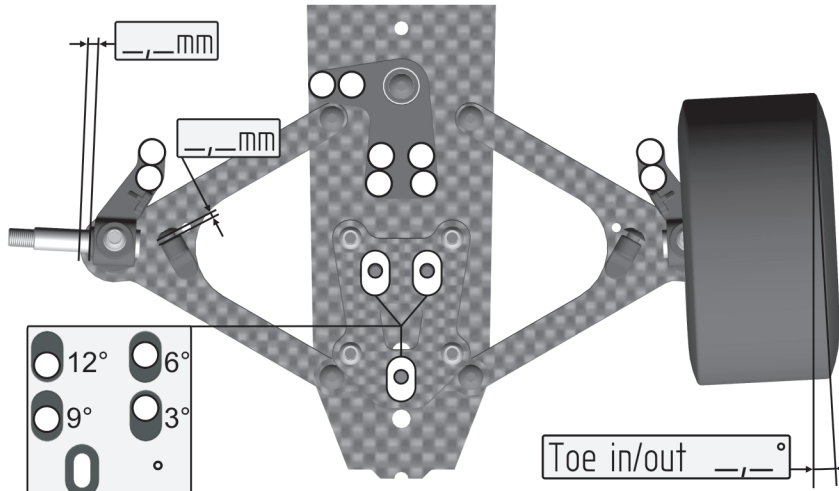
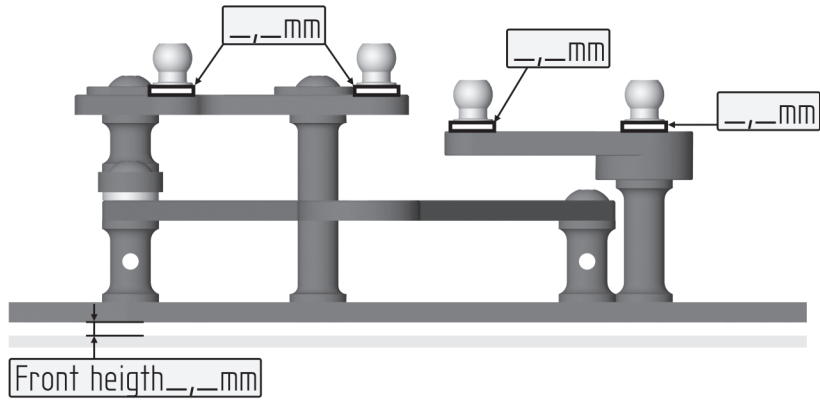


Camber right °

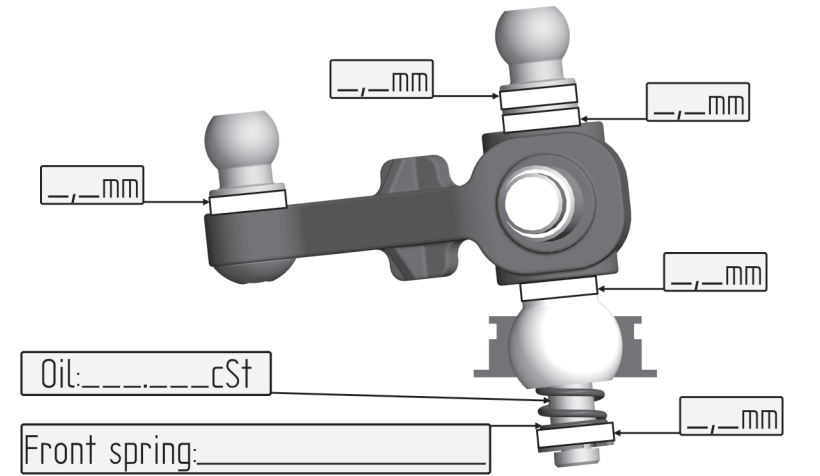
Camber left °



Toe in/out °



Front height mm



Name: _____
 Date: _____
 Event: _____
 Track: _____
 Surface: Carpet Asphalt
 Traction: high medium low
 Layout: technical mixed fast
 Best lap: _____

FRONT

REAR

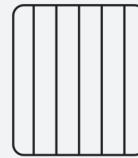
Tyres: _____

Additive _____

Add. Timing _____



Additive treated area



Diff setting:

loose medium tight

Center shock:

Spring: _____ Piston: _____
 Oil: cSt Rebound: %
 F.p. spring: _____
 Length: mm Preload: mm

Side shock:

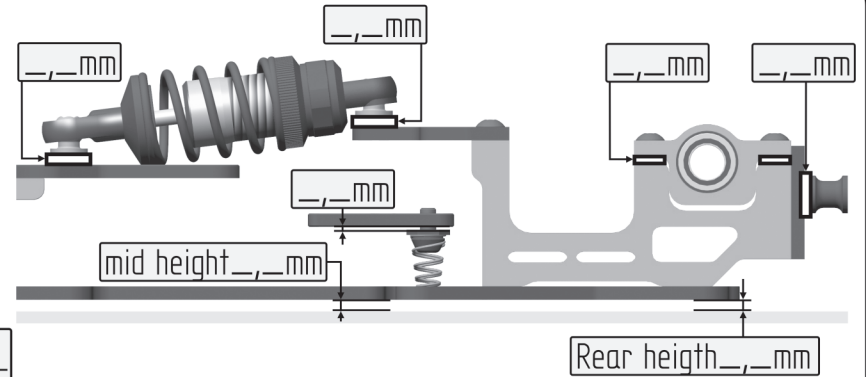
Spring: _____ Oil: cSt

Gearing:

 T Pinion T Spur gear Drive ratio

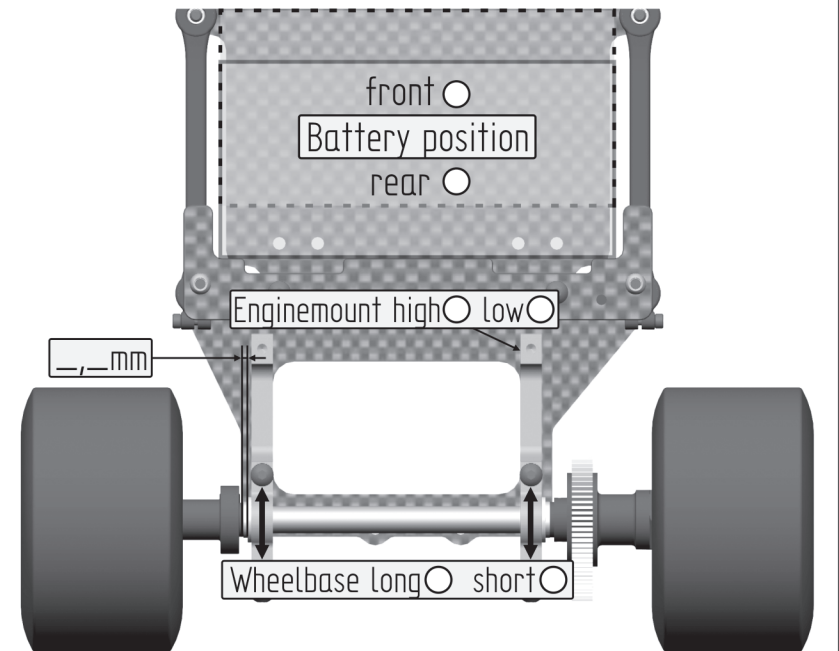
Electronics:

Motor: _____
 Speedo: _____
 Battery: _____
 Servo: _____



mid height mm

Rear height mm



Body: _____
 Rear wing: _____
 Front wing: _____

Notes: _____

