

DRIVER, TRACK AND RESULTS

DRIVER	COUNTRY	WEATHER	AIR TEMP	TRACK TEMP	<input type="checkbox"/> DRY	<input type="checkbox"/> INTERMEDIATE	<input type="checkbox"/> WET
TRACK	SURFACE <input type="checkbox"/> ASPHALT <input type="checkbox"/> CARPET	TRACTION <input type="checkbox"/> LOW <input type="checkbox"/> MEDIUM <input type="checkbox"/> HIGH	COMMENTS				
RACE	DATE	QUALIFY	MAINS	FINAL			

FLEX CONFIGURATION

CHASSIS ALU CARBON

CENTER SHOCK ABSORBER

OIL

PISTON

REBOUND mm

SPRING 6.5 8 10 12 14 16 18

OTHER:

CENTER TUBES

OIL

ROLL LIMITER mm

FRONT	REAR
TYRES <input type="checkbox"/> Controlled Tyre	
TYRE	
DIAMETER (mm)	
ADDITIVE	
ADDITIVE TIME (min)	
SURFACE (%)	
NOTES	

ELECTRONICS

BATTERY

MOTOR

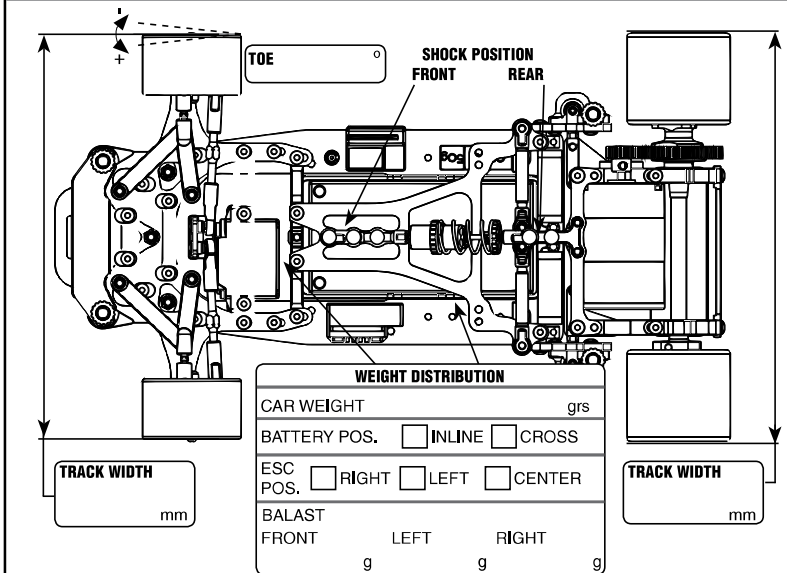
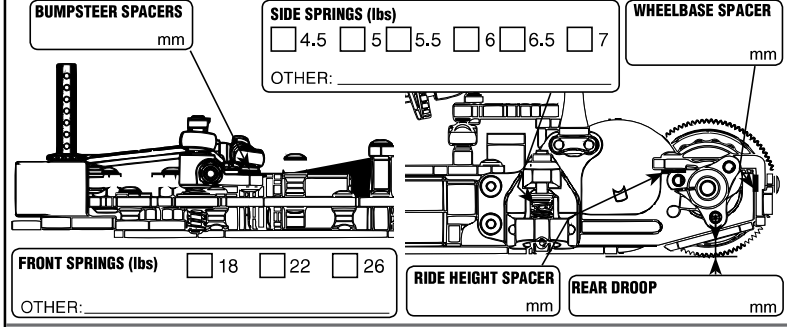
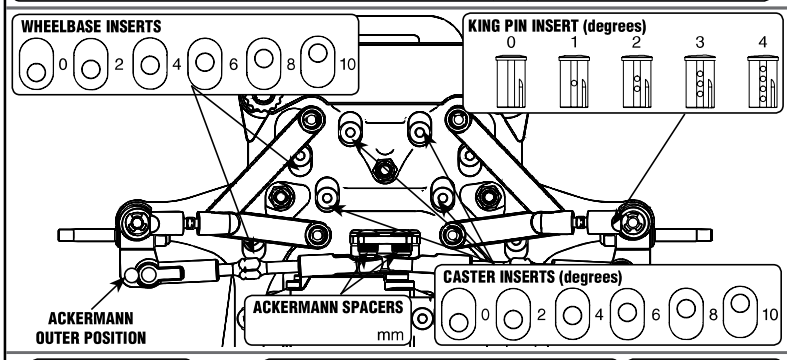
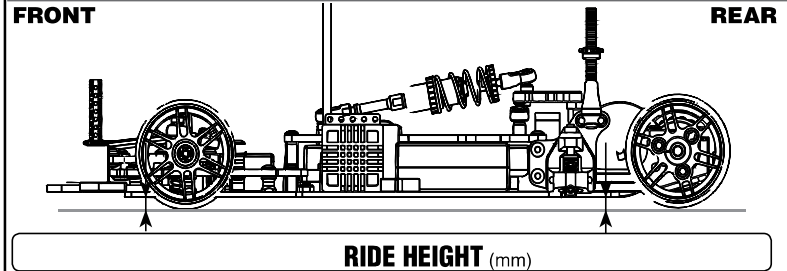
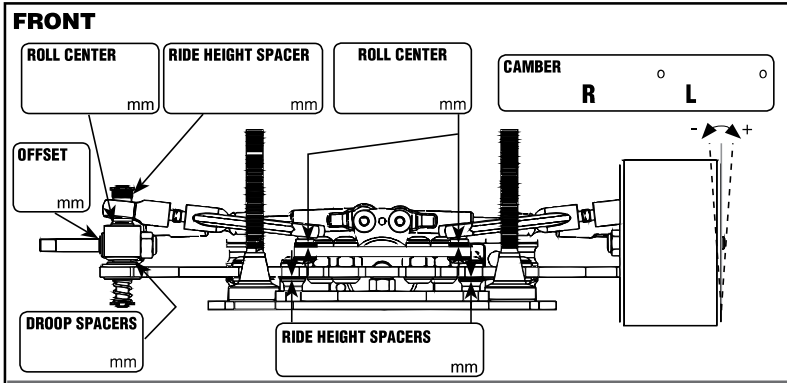
ESC

RATIO CONFIGURATION

PINION	SPUR	PITCH
FDR	ROLLOUT	mm

AERODYNAMIC CONFIGURATION

BODY



REMARKS