

RACE: *WCICS Round 4 2013, TC Mod*
 TRACK: *Airdrie*
 NAME: *Steve Soon*
 CITY/COUNTRY: *Airdrie, AB*
 DATE: *Dec 6-8, 2013*

TEMPERATURE: AIR TRACK
 QUALIFYING POSITION: *2* BEST LAP TIME: *1* FINAL POSITION: *1* RACE LENGTH: *5* MIN
 TRACK CONDITION: CARPET ASPHALT
 TECHNICAL MIXED FAST
 TRACTION: LOW MEDIUM HIGH

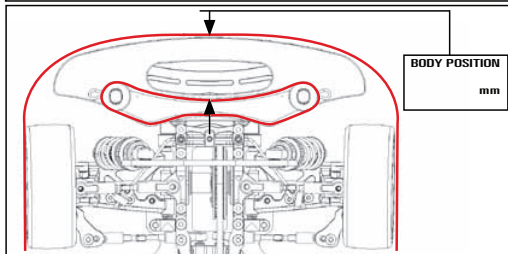
FRONT		REAR	
TRANSMISSION			
GEAR DIFF	GEAR DIFF	GEAR DIFF	GEAR DIFF
<input type="checkbox"/> <i>1M</i> CST	<input type="checkbox"/> <i>1000</i> CST	<input type="checkbox"/> <i>1000</i> CST	<input type="checkbox"/> <i>1000</i> CST
<input type="checkbox"/> ONE WAY	<input type="checkbox"/> SPOOL	<input type="checkbox"/> SOLID	<input type="checkbox"/> SOLID
BALL DIFF		BALL DIFF	
<input type="checkbox"/> LOOSE	<input type="checkbox"/> MEDIUM	<input type="checkbox"/> LOOSE	<input type="checkbox"/> MEDIUM
<input type="checkbox"/> TIGHT	<input type="checkbox"/> TIGHT	<input type="checkbox"/> TIGHT	<input type="checkbox"/> TIGHT
MIDDLE SHAFT	FIXED <input checked="" type="checkbox"/>	ONE WAY	<input type="checkbox"/>
PINION	<i>23</i> T	SPUR GEAR	<i>81</i> T
FINAL DRIVE RATIO		ROLLOUT	mm
MOTOR	<i>ThunderPower 5.5</i>	TIMING	<i>20</i>
ROTOR	<i>Red</i>	ARMATURE	
ESC	<i>HW V3.1</i>	BATTERIES	
BRUSHLESS	PROGRAM	PUNCH	INITIAL BRAKE
<input type="checkbox"/>	<input type="checkbox"/>	<input type="checkbox"/>	<i>0</i>
			AUTO BRAKE
			<i>0</i>

BODY: *Speed6 LW* WING: *Rear*

FRONT	SHOCK ABSORBERS	REAR
OIL	<i>Serpent</i>	OIL
<i>500</i> CST	<input type="radio"/> OPEN <input type="radio"/> CLOSED	<i>425</i> CST
<i>Pink</i>		<i>Blue</i>

THICKNESS: *1.4* mm ANTI-ROLL BAR THICKNESS: *1.2* mm

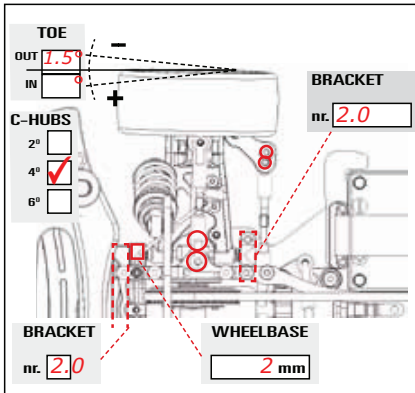
TIRES	TIRES
<i>Sweep QTS 32</i>	<i>Sweep QTS 32</i>
<i>64</i> mm	<i>64</i> mm
DIAMETER	DIAMETER
<i>ProTek Red</i>	<i>ProTek Red</i>
ADDITIVE	ADDITIVE



REMARKS: Editable by Arn0 at PetitRC.com

Front DCJ
Medium plastics

FRONT



REAR

