

Driver Name:

Jan Asmer

RACE: ETS Round 1  
 TRACK: Hrotovice, Czech Republic (Indoor)  
 NAME: \_\_\_\_\_  
 CITY/COUNTRY: \_\_\_\_\_  
 DATE: 1.11-3.11.2013

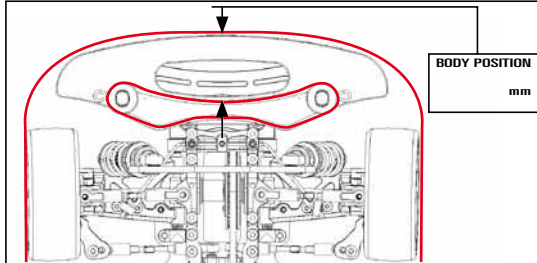
TEMPERATURE: AIR 0 TRACK 0  
 QUALIFYING POSITION: 1 BEST LAP TIME: \_\_\_\_\_ SEC FINAL POSITION: 1 RACE LENGTH: \_\_\_\_\_ MIN  
 TRACK CONDITION:  CARPET  ASPHALT  
 TECHNICAL  MIXED  FAST  
 TRACTION:  LOW  MEDIUM  HIGH

FRONT		REAR	
TRANSMISSION			
GEAR DIFF		GEAR DIFF	
<input type="checkbox"/> CST	<input checked="" type="checkbox"/> 2000	<input type="checkbox"/> CST	<input type="checkbox"/> 2000
ONE WAY		ONE WAY	
<input checked="" type="checkbox"/>	<input type="checkbox"/>	<input type="checkbox"/>	<input type="checkbox"/>
SPOOL		SOLID	
<input checked="" type="checkbox"/>	<input type="checkbox"/>	<input type="checkbox"/>	<input type="checkbox"/>
BALL DIFF		BALL DIFF	
LOOSE	MEDIUM	TIGHT	LOOSE
<input type="checkbox"/>	<input type="checkbox"/>	<input type="checkbox"/>	<input type="checkbox"/>
MIDDLE SHAFT		MIDDLE SHAFT	
FIXED <input checked="" type="checkbox"/>		ONE WAY <input type="checkbox"/>	
PINION	40 T	SPUR GEAR	100 T
FINAL DRIVE RATIO	5	ROLLOUT	_____ mm
MOTOR	handout	TIMING	0
ROTOR	handout	ARMATURE	x
ESC	handout	BATTERIES	Gens Ace 6000
BRUSHLESS	PROGRAM x	PUNCH	x
INITIAL BRAKE	0	AUTO BRAKE	0
BODY	BLITZ - TSX	WING	BLITZ - original

SHOCK ABSORBERS: FRONT OIL 450 CST SPRING yok blue REAR OIL 450 CST SPRING yok blue  
 OPEN  CLOSED

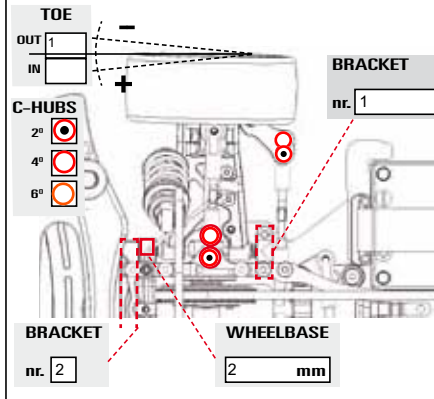
ANTI-ROLL BAR: THICKNESS \_\_\_\_\_ mm

ride: x mm TIRES: x mm DIAMETER: x mm INSERTS: x ADDITIVE: handout



REMARKS: anti rollbar front 1.4, rear 1.6. cant edit here ,)

FRONT



REAR

