

SET-UP SHEET

RACE:

TRACK:

NAME:

CITY/COUNTRY:

DATE:

TEMPERATURE: AIR TRACK

| QUALIFYING POSITION | BEST LAP TIME | FINAL POSITION | RACE LENGTH |
|----------------------|----------------------|----------------------|----------------------|
| <input type="text"/> | <input type="text"/> | <input type="text"/> | <input type="text"/> |

TRACK CONDITION: CARPET ASPHALT

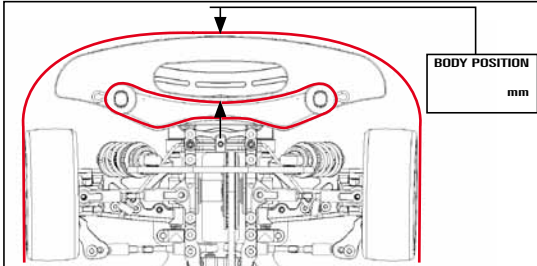
TECHNICAL MIXED FAST

TRACTION: LOW MEDIUM HIGH

| FRONT | | REAR | |
|-------------------------------------|---------------------------------|--|---------------------------------|
| TRANSMISSION | | | |
| GEAR DIFF | | GEAR DIFF | |
| <input type="checkbox"/> CST | <input type="checkbox"/> 1200 | <input type="checkbox"/> CST | <input type="checkbox"/> 1200 |
| ONE WAY | | SOLID | |
| <input type="checkbox"/> | <input type="checkbox"/> | <input type="checkbox"/> | <input type="checkbox"/> |
| SPOOL | | SOLID | |
| <input checked="" type="checkbox"/> | <input type="checkbox"/> | <input type="checkbox"/> | <input type="checkbox"/> |
| BALL DIFF | | BALL DIFF | |
| <input type="checkbox"/> LOOSE | <input type="checkbox"/> MEDIUM | <input type="checkbox"/> LOOSE | <input type="checkbox"/> MEDIUM |
| <input type="checkbox"/> | <input type="checkbox"/> | <input type="checkbox"/> | <input type="checkbox"/> |
| MIDDLE SHAFT | | FIXED <input checked="" type="checkbox"/> ONE WAY <input type="checkbox"/> | |
| PINION | | SPUR GEAR | |
| <input type="text"/> | <input type="text"/> | <input type="text"/> | <input type="text"/> |
| FINAL DRIVE RATIO | | ROLLOUT | |
| <input type="text"/> | <input type="text"/> | <input type="text"/> | <input type="text"/> |
| MOTOR | | TIMING | |
| <input type="text"/> | <input type="text"/> | <input type="text"/> | <input type="text"/> |
| ROTOR | | ARMATURE | |
| <input type="text"/> | <input type="text"/> | <input type="text"/> | <input type="text"/> |
| ESC | | BATTERIES | |
| <input type="text"/> | <input type="text"/> | <input type="text"/> | <input type="text"/> |
| BRUSHLESS | PROGRAM | PUNCH | AUTO BRAKE |
| <input type="checkbox"/> | <input type="checkbox"/> | <input type="checkbox"/> | <input type="checkbox"/> |
| BODY | | WING | |
| <input type="text"/> | <input type="text"/> | <input type="text"/> | <input type="text"/> |

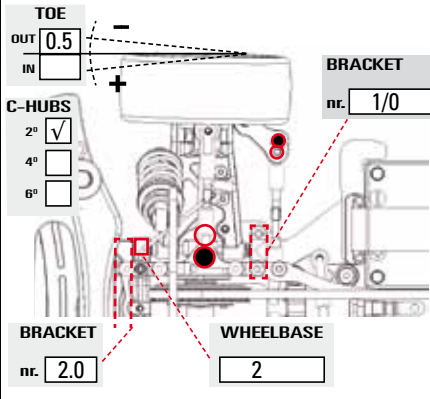
| FRONT | SHOCK ABSORBERS | | REAR |
|-----------|-------------------------------|---------------------------------|-----------|
| OIL | <input type="checkbox"/> OPEN | <input type="checkbox"/> CLOSED | OIL |
| 500 CST | <input type="checkbox"/> | <input type="checkbox"/> | 500 CST |
| SPRING | | | SPRING |
| BLACK | | | GREY |
| THICKNESS | ANTI-ROLL BAR | | THICKNESS |
| 1.4 mm | | | 1.4 mm |

| | | |
|----------------------|----------|----------------------|
| <input type="text"/> | TIRES | <input type="text"/> |
| <input type="text"/> | DIAMETER | <input type="text"/> |
| <input type="text"/> | INSERTS | <input type="text"/> |
| <input type="text"/> | ADDITIVE | <input type="text"/> |



REMARKS:

FRONT



REAR

