

SET-UP SHEET

RACE *Club Day*

TRACK *AERCCC*

NAME *Benzaah*

CITY/COUNTRY *Adelaide, South Australia*

DATE *03/03/13*

TEMPERATURE AIR *34*° TRACK *55*°

QUALIFYING POSITION *1* BEST LAP TIME *17.483* SEC FINAL POSITION *2* RACE LENGTH *6* MIN

TRACK CONDITION CARPET ASPHALT

TECHNICAL MIXED FAST

TRACTION LOW MEDIUM HIGH

| FRONT | | REAR | |
|---|---|----------------------------------|---|
| TRANSMISSION | | | |
| GEAR DIFF | GEAR DIFF | GEAR DIFF | GEAR DIFF |
| <input type="checkbox"/> CST | <input checked="" type="checkbox"/> <i>1200</i> CST | <input type="checkbox"/> CST | <input checked="" type="checkbox"/> <i>1200</i> CST |
| <input type="checkbox"/> ONE WAY | <input type="checkbox"/> ONE WAY | <input type="checkbox"/> ONE WAY | <input type="checkbox"/> ONE WAY |
| <input checked="" type="checkbox"/> SPOOL | <input type="checkbox"/> SPOOL | <input type="checkbox"/> SOLID | <input type="checkbox"/> SOLID |
| BALL DIFF | | BALL DIFF | |
| <input type="checkbox"/> LOOSE | <input type="checkbox"/> MEDIUM | <input type="checkbox"/> LOOSE | <input type="checkbox"/> MEDIUM |
| <input type="checkbox"/> TIGHT | <input type="checkbox"/> TIGHT | <input type="checkbox"/> TIGHT | <input type="checkbox"/> TIGHT |
| MIDDLE SHAFT | | MIDDLE SHAFT | |
| <input type="checkbox"/> FIXED | <input checked="" type="checkbox"/> FIXED | <input type="checkbox"/> ONE WAY | <input type="checkbox"/> ONE WAY |
| PINION | <i>26</i> T | SPUR GEAR | <i>81</i> T |
| FINAL DRIVE RATIO | | ROLLOUT | mm |
| MOTOR | <i>D3.5 17.5</i> | TIMING | |
| ROTOR | | ARMATURE | |
| ESC | <i>Orion R10 Pro 160a</i> | BATTERIES | <i>Revtech 100c 6900mah</i> |
| BRUSHLESS | <input type="checkbox"/> PROGRAM | PUNCH | <input type="checkbox"/> INITIAL BRAKE |
| | | | <input type="checkbox"/> AUTO BRAKE |

BODY *P37-R* WING *Standard*

SHOCK ABSORBERS *SS -RCM*

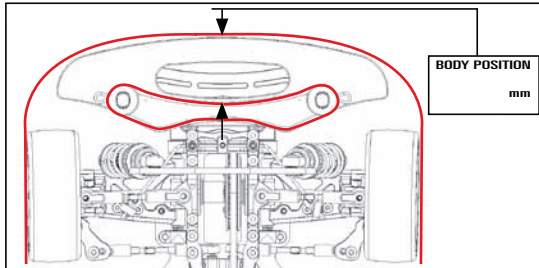
FRONT OIL *400* CST REAR OIL *400* CST

SPRING *Ride Purple* SPRING *Ride Red*

ANTI-ROLL BAR THICKNESS *1.4* mm

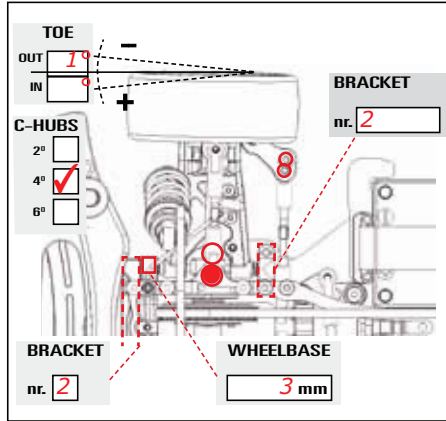
TIRES *Muchmore 36R* DIAMETER *64* mm

INSERTS *Red* ADDITIVE *Muchmore R2*



REMARKS *Delrin RCM Shock Pistons. Xceed oil.*

FRONT



REAR

