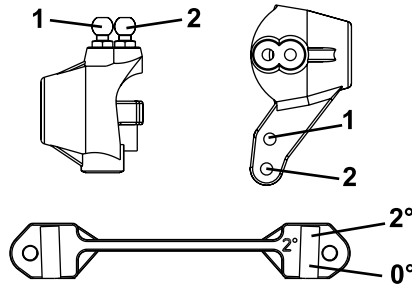
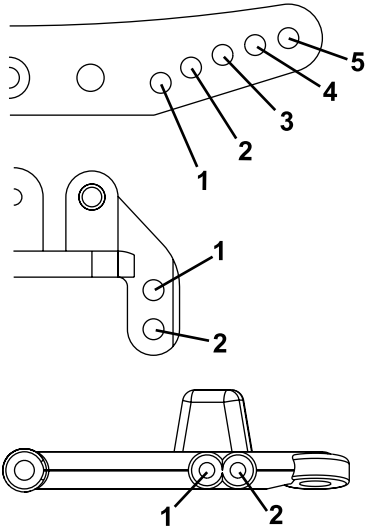


Driver:
Date:
Meeting:
Best Time:

Track details:
 Indoor Tight Tarmac
 Outdoor Open Other.....



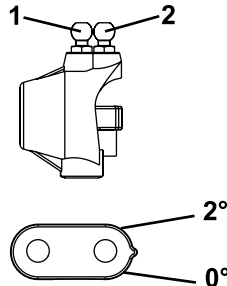
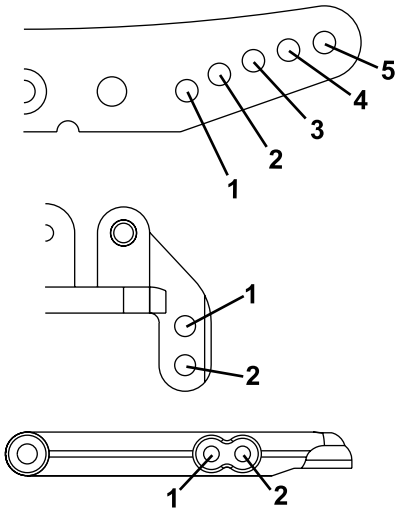
FRONT SETTINGS



SHOCKS
 Oil..... *Wt*.....
 Spring.....
 Piston..... *hole(s)*.....
 Spacer..... *mm*.....
 Length..... *mm*.....
 Droop..... *mm*.....

Bracket Type..... *S1*..... *Carbon*.....
 Hub Carrier..... *Plastic*..... *Alloy (High/Low)*.....
 Anti-Roll Bar.....
 Castor..... *degrees*.....
 Toe-In/Outboard..... *degrees*.....
 Ride Height..... *mm*.....
 Camber..... *degrees*.....
 Lower Wisbone..... *Forward* *Rear*.....
 Front Driveshafts..... *Plastic*..... *Steel*.....
 Notes:

REAR SETTINGS



SHOCKS
 Oil..... *Wt*.....
 Spring.....
 Piston..... *hole(s)*.....
 Spacer..... *mm*.....
 Length..... *mm*.....
 Droop..... *mm*.....

Bracket Type..... *S1*..... *Carbon*.....
 Hub Carrier..... *Plastic*..... *Alloy (High/Low)*.....
 Anti-Roll Bar.....
 Anti/Pro Squat.....
 Toe-In (Out Board)..... *degrees*.....
 Ride Height..... *mm*.....
 Camber..... *degrees*.....
 Lower Wisbone..... *Forward* *Middle* *Rear*.....
 Rear Driveshafts..... *Plastic*..... *Steel*.....
 Notes:

Motor.....
 Gearing..... *Pinion*..... *tooth*..... *Spur*..... *tooth*.....
 Pulley Size..... *17 tooth*..... *20 tooth*.....
 Bodyshell.....
 One Way Diff..... *Yes / No*.....
 Front Tyres.....
 Rear Tyres.....
 Front Inserts.....
 Rear Inserts.....
 Tyre Additive..... *Yes / No*..... *Type*.....
 Chassis/TopDeck..... *S1*..... *Carbon*.....
 E.S.C.....
 Cells.....
 Receiver.....
 Servo.....

Drivers Comments: