

M14LR

Instruction Manual v.1.0



Schumacher Racing
73 Tenter Road
Moulton Park
Northampton
NN3 6AX
ENGLAND

Schumacher
racing-cars.com

Schumacher USA Inc
6902 Benjamin Road
Suite 404
Tampa
Florida 33634
U.S.A.

51193

Additional Items Required

Transmitter, receiver and servo
(Including AA Batteries See A2)



Electronic Speed Control



Battery Pack



Battery Tape

Motor



Pinion Gear

Battery Charger



Page 1

Bodyshell & Paint



Wheels & Tyres



Tools

Wetor With Precision
Cinly Pliers



CE444 Curved Body Scissors

ED10195 Hex Driver 1.5 x 10mm
ED10196 Hex Driver 1.8 x 10mm
ED10197 Hex Driver 2.5 x 10mm



ED10195 Hex Driver 1.5 x 10mm
ED10196 Hex Driver 1.8 x 10mm



Torxdriver Wrench 4mm ED10198



U2011 - Solder



Schumacher Racing stocks and distributes the following manufacturers products and full product listings are available on our website at www.racing-cars.com.

PLEASE NOTE THAT SOME OF THE PRODUCT RANGES BELOW ARE ONLY AVAILABLE IN THE UNITED KINGDOM.

CORE-RC
2000

NISRAM

Speed Passion
RC Transmitters

GM

Witro

**East Coast
Electronics**

SOREX

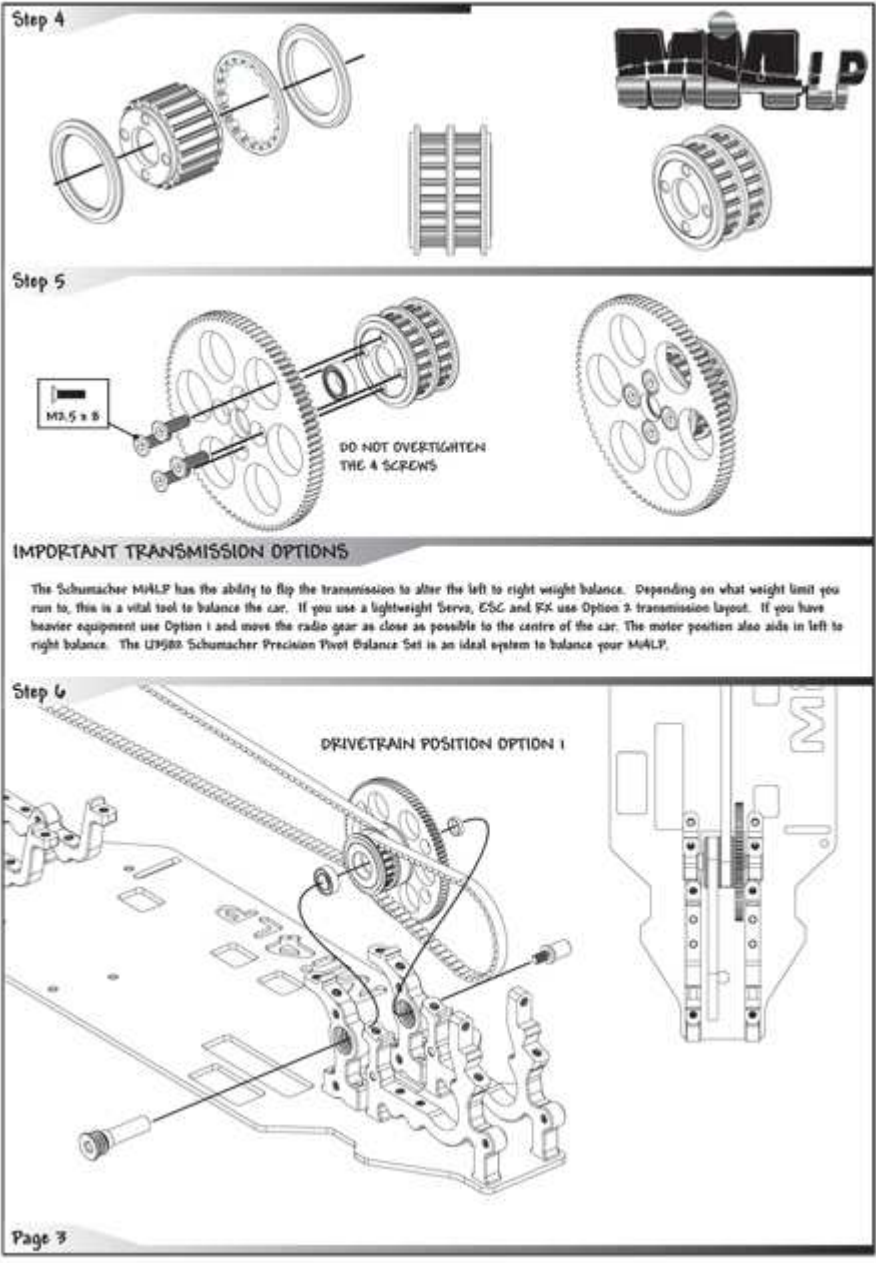
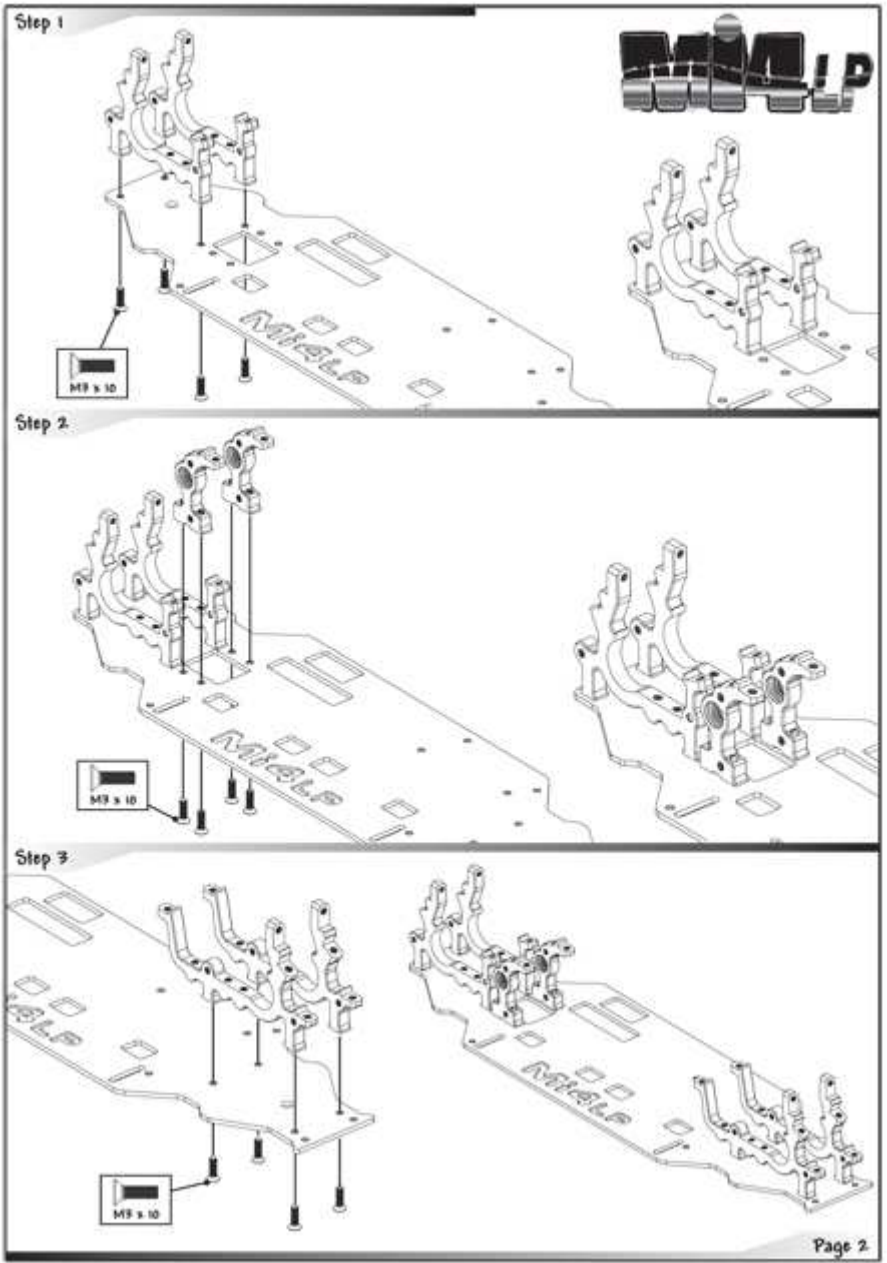
EDS
International RC Parts

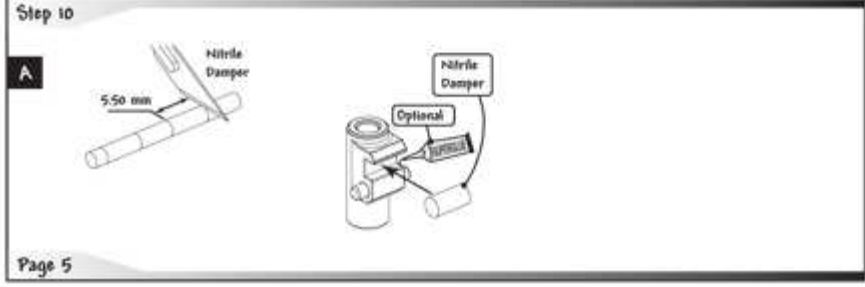
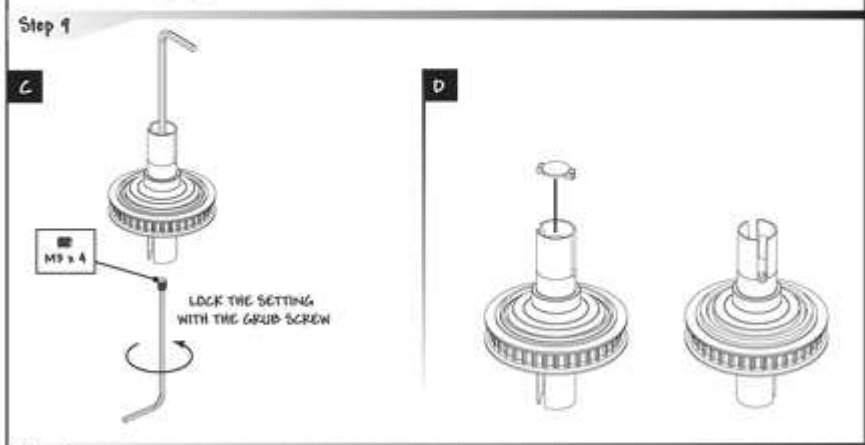
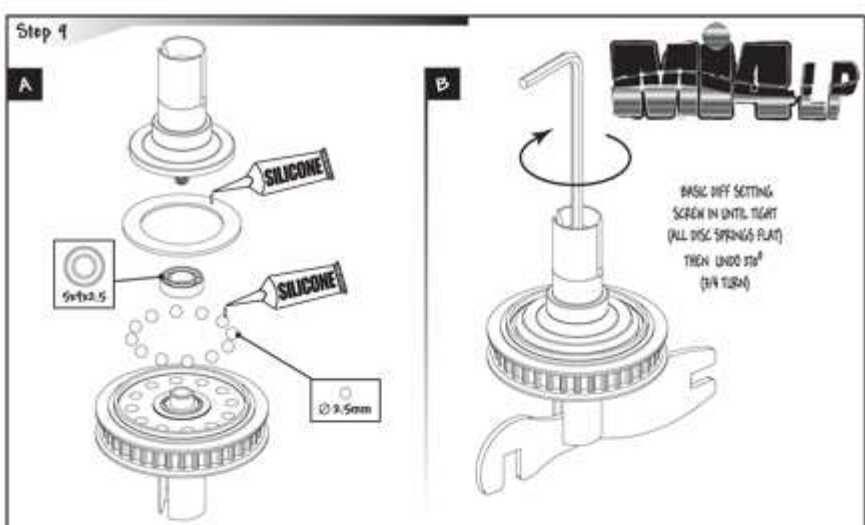
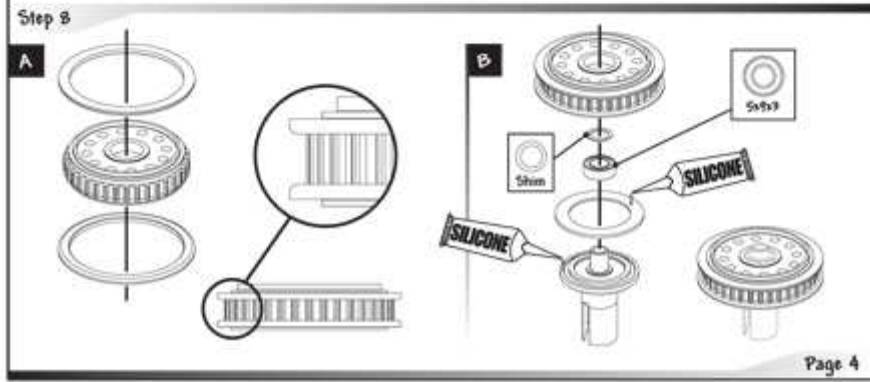
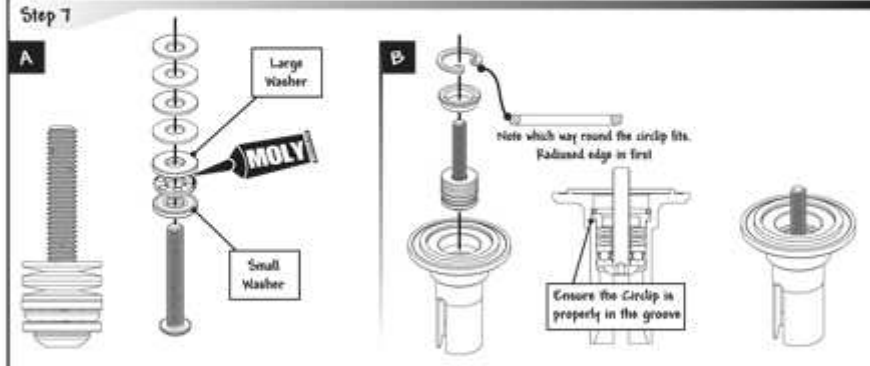
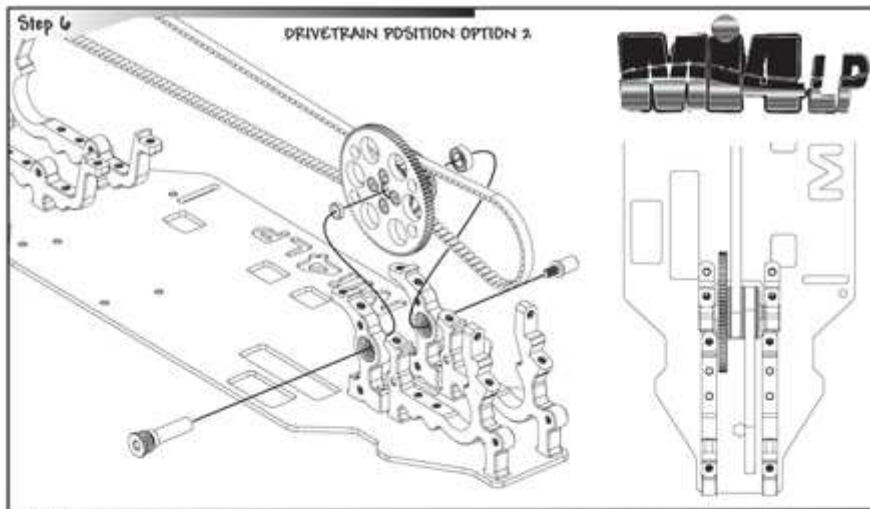
IMPORTANT SAFETY NOTES

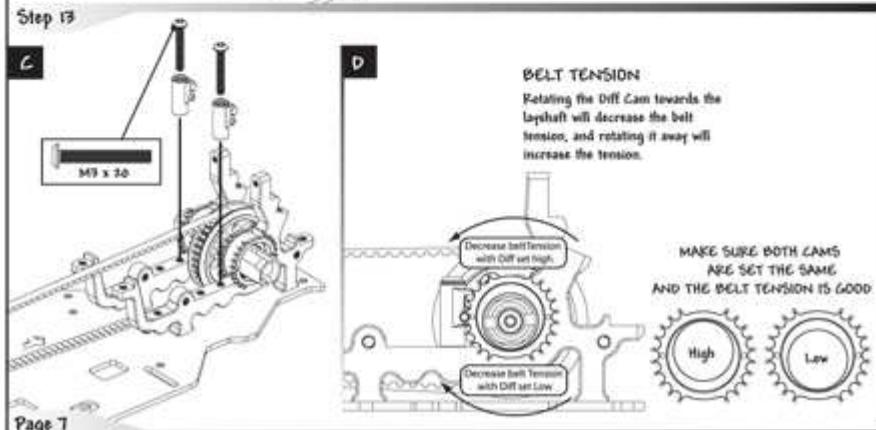
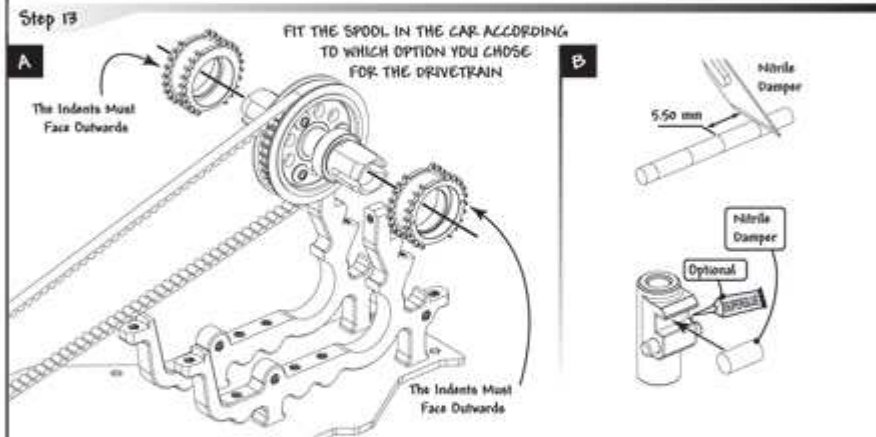
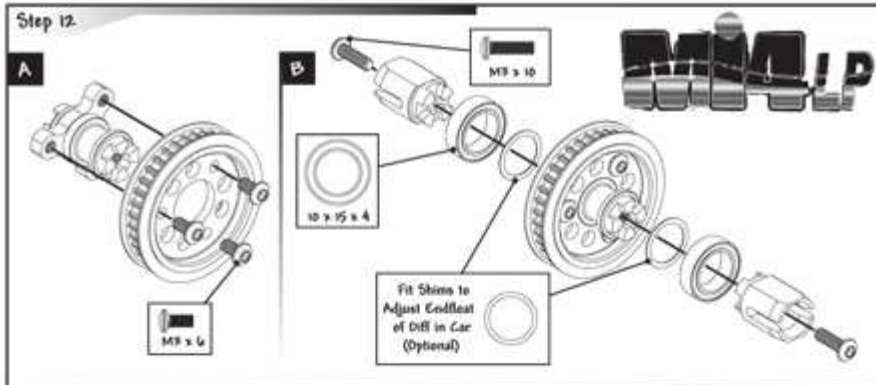
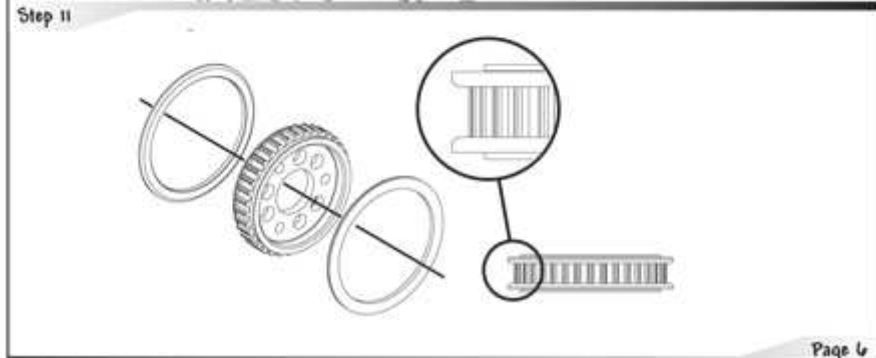
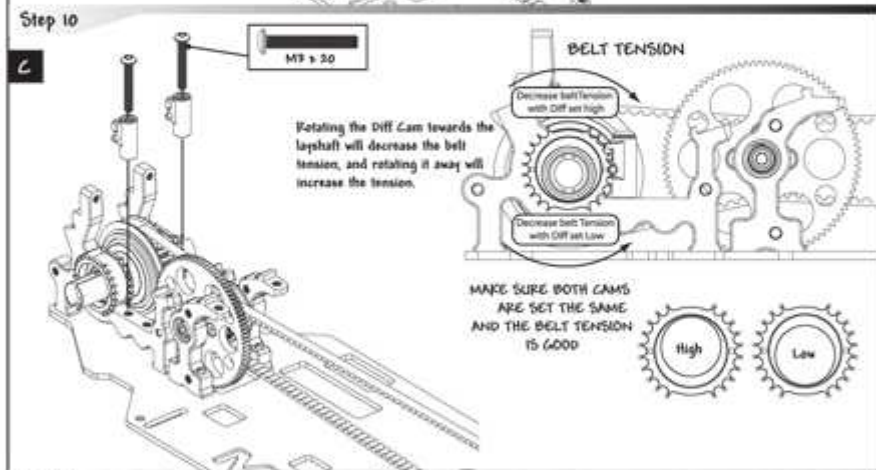
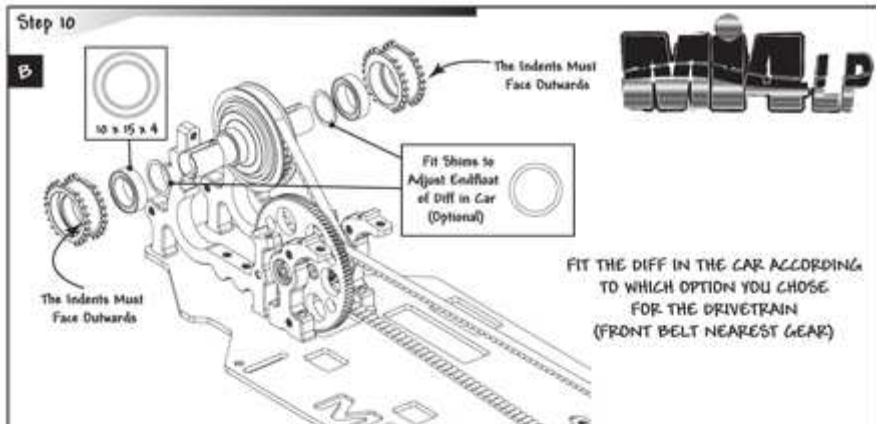
- This product is not suitable for children under the age of 14, without the direct supervision of an adult.
- Select an area for assembly that is away from the reach of small children. The parts in this kit are small and can be swallowed by children causing choking and possible internal injuries.
- Exercise care when using hand tools and sharp instruments during assembly.
- Carefully read all manufacturers warnings and cautions for any additional parts used in the construction.
- In line with our policy of continuous development the exact details of the kit may vary.

Schumacher
racing-cars.com

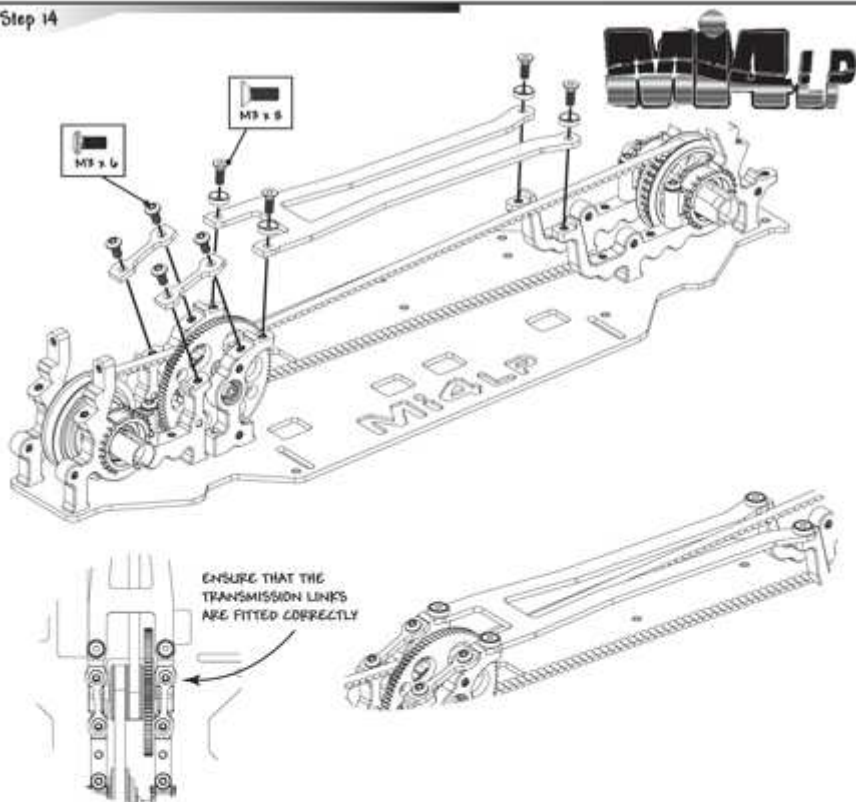
Petit RC
PetitRC.com



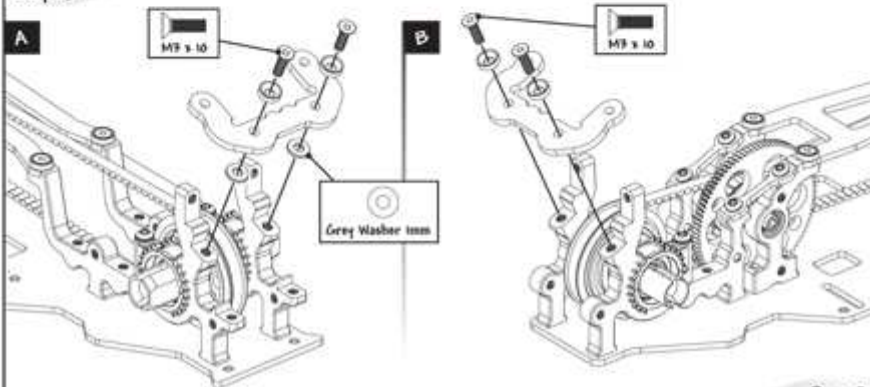




Step 14

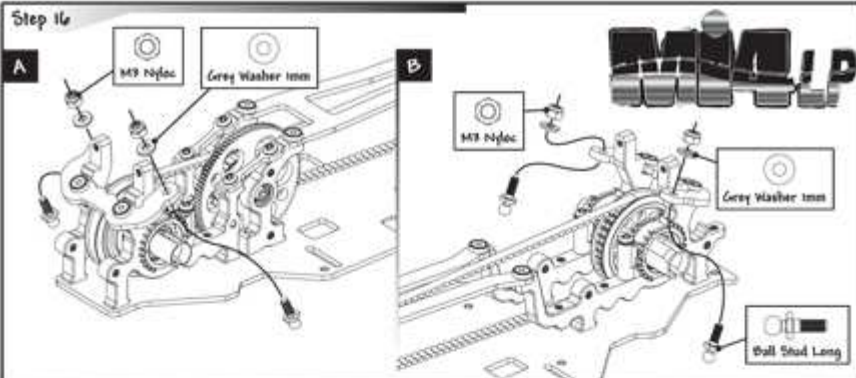


Step 15

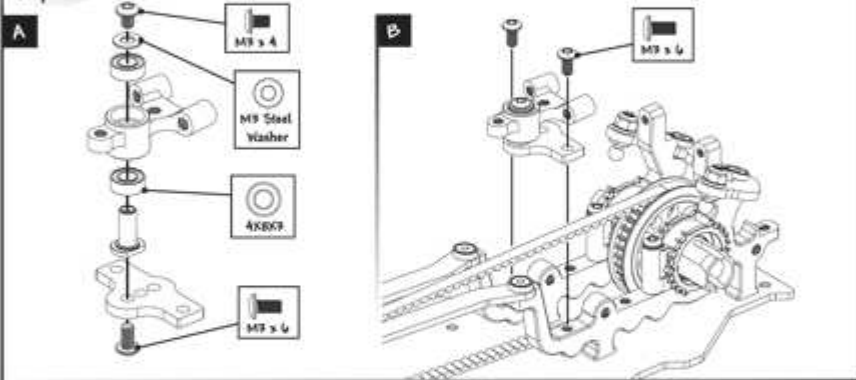


Page 8

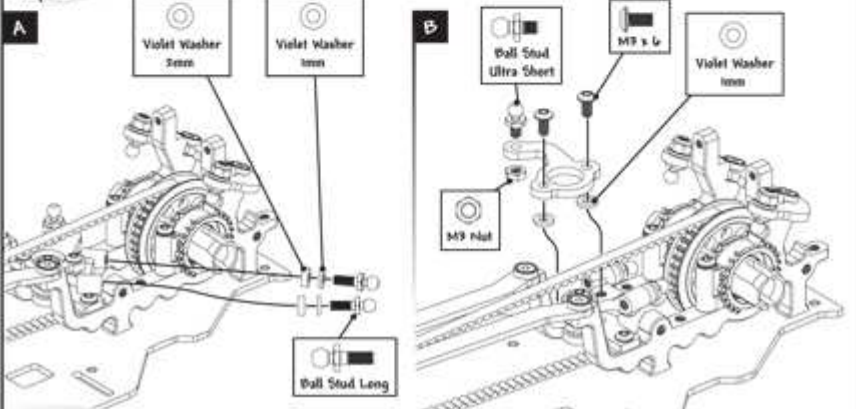
Step 16



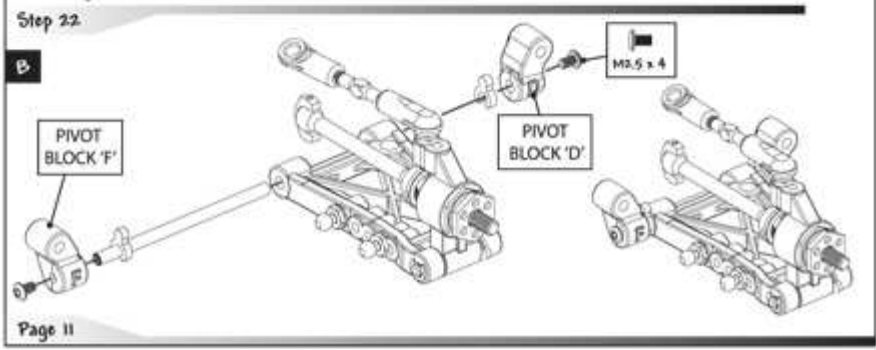
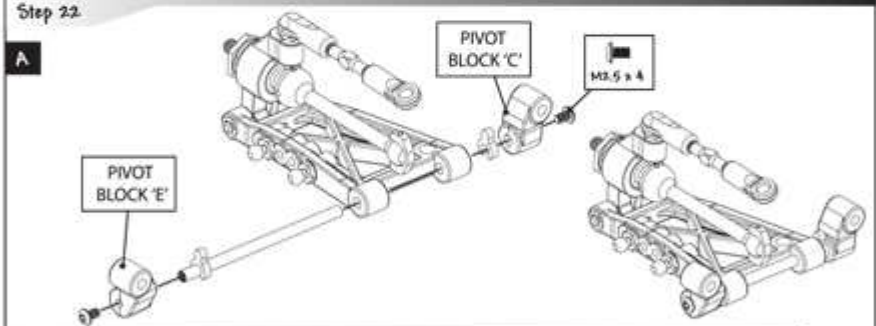
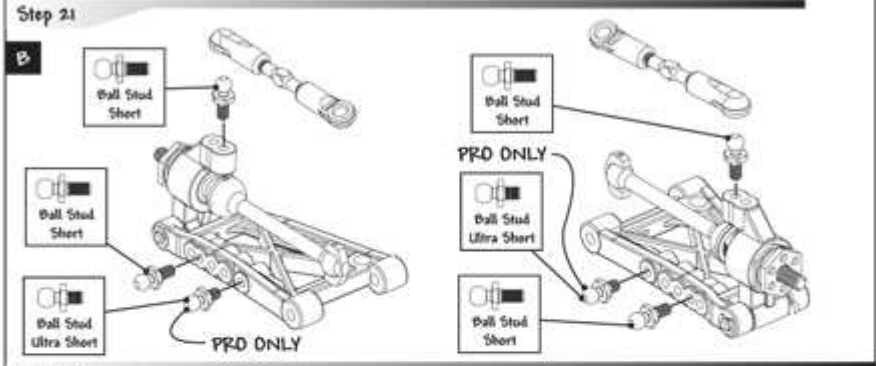
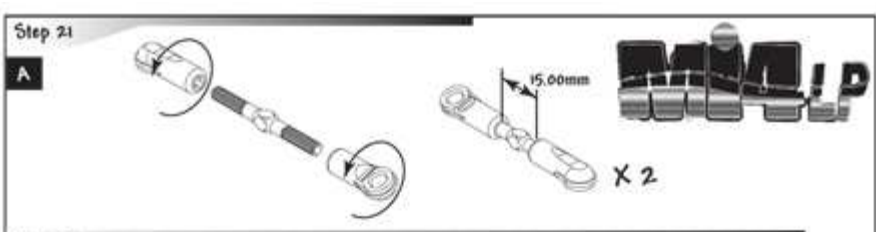
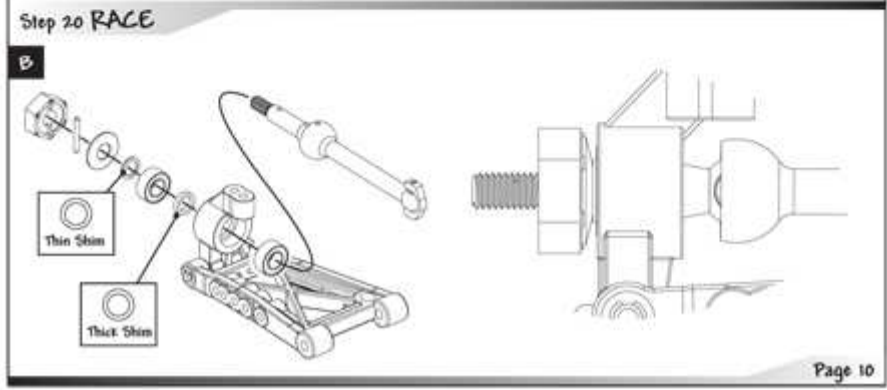
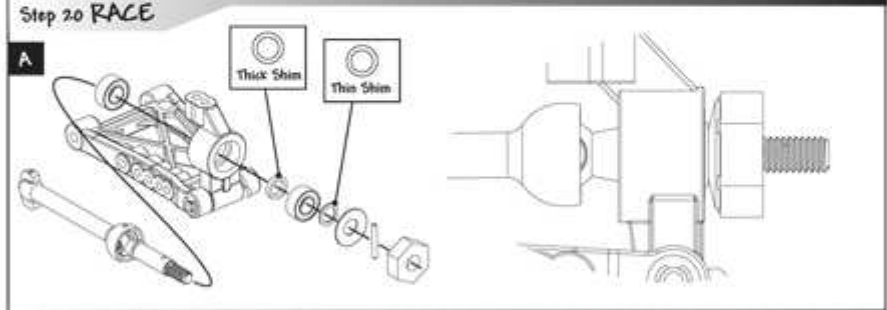
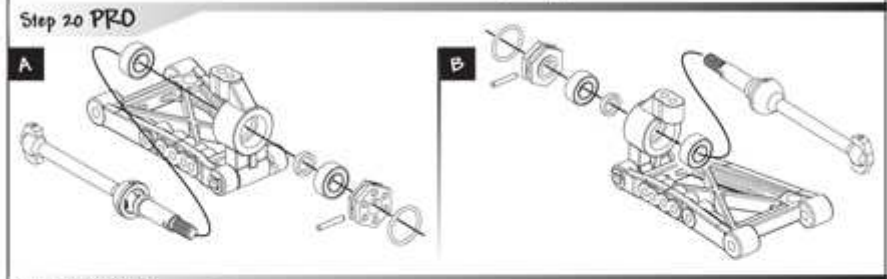
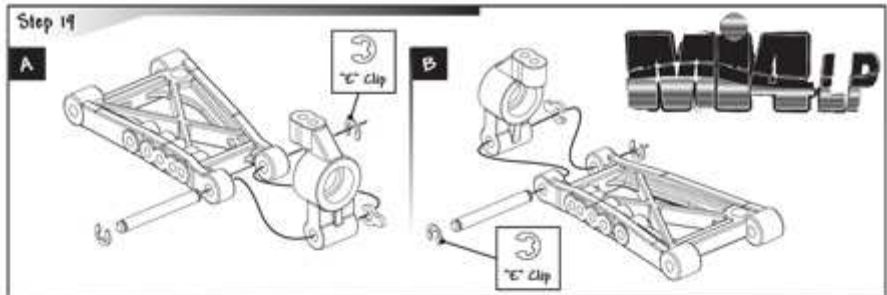
Step 17



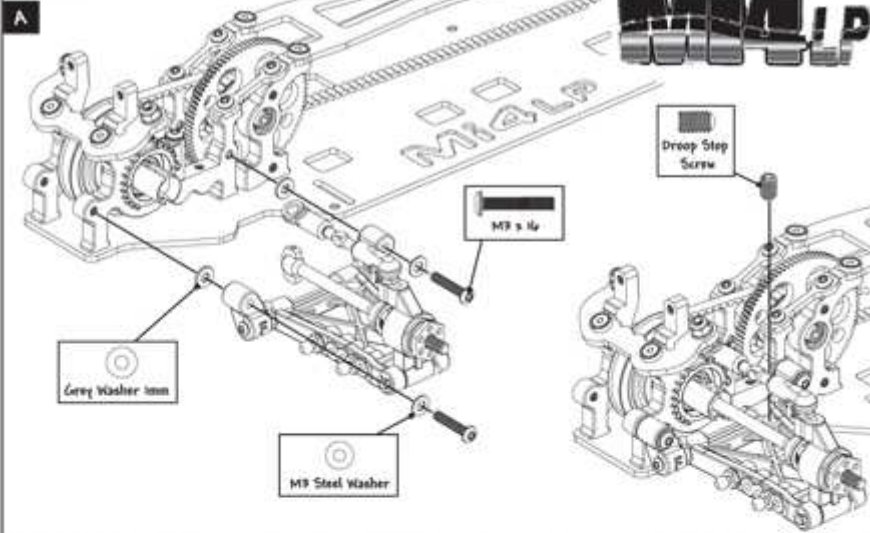
Step 18



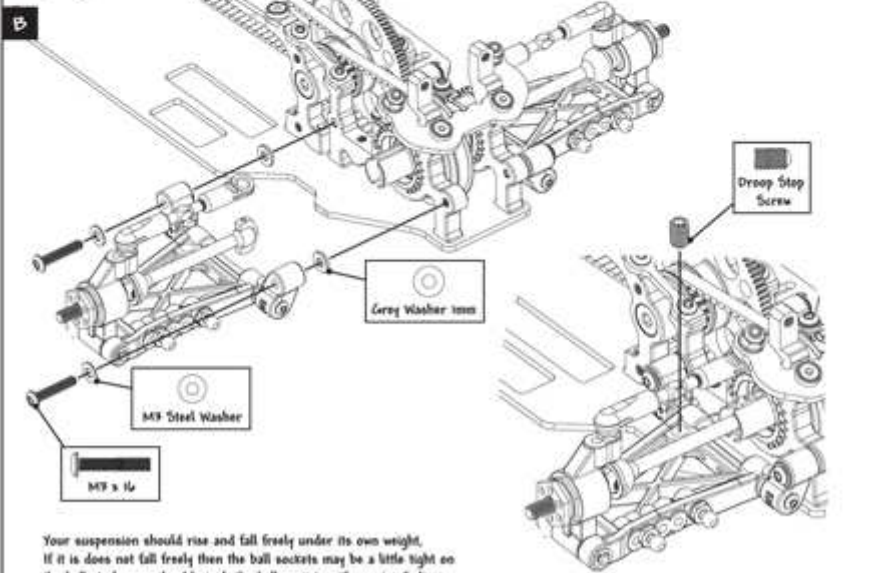
Page 9



Step 23

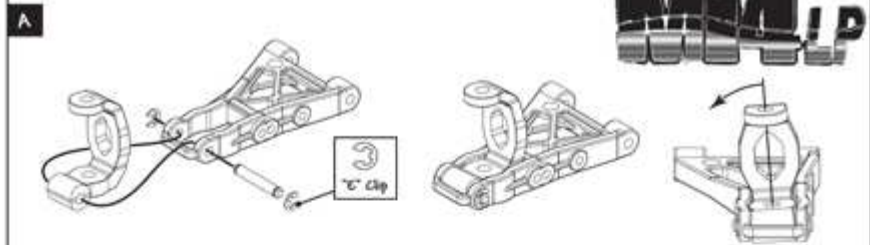


Step 23

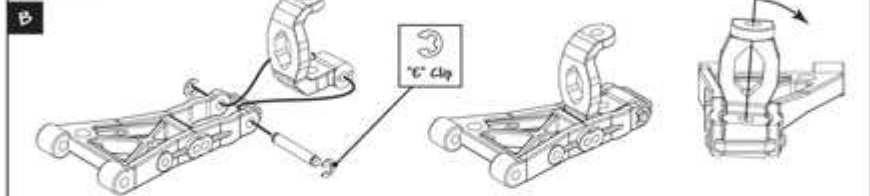


Your suspension should rise and fall freely under its own weight. If it does not fall freely then the ball sockets may be a little tight on the ball studs, you should pinch the ball sockets with a pair of pliers, this will loosen the socket off slightly, and allow you to fine tune the fit.

Step 24



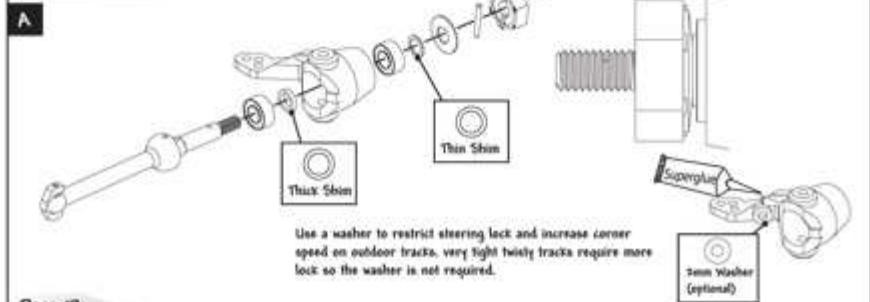
Step 24



Step 25 PRO



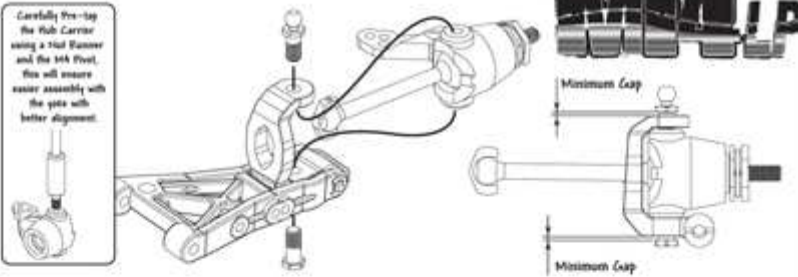
Step 25 RACE



Step 25

B

Carefully pre-tap the Hub Carrier using a Flat Hammer and the M4 Pivot. This will ensure easier assembly with the yoke with better alignment.



Step 26 PRO

A

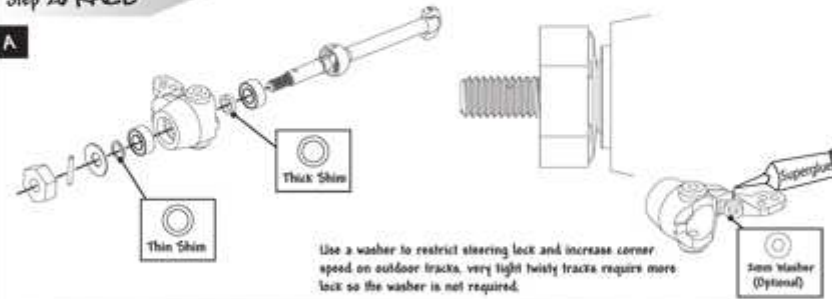


Use a washer to restrict steering lock and increase corner speed on outdoor tracks, very tight twisty tracks require more lock so the washer is not required.

3mm Washer (Optional)

Step 26 RACE

A



Use a washer to restrict steering lock and increase corner speed on outdoor tracks, very tight twisty tracks requires more lock so the washer is not required.

3mm Washer (Optional)

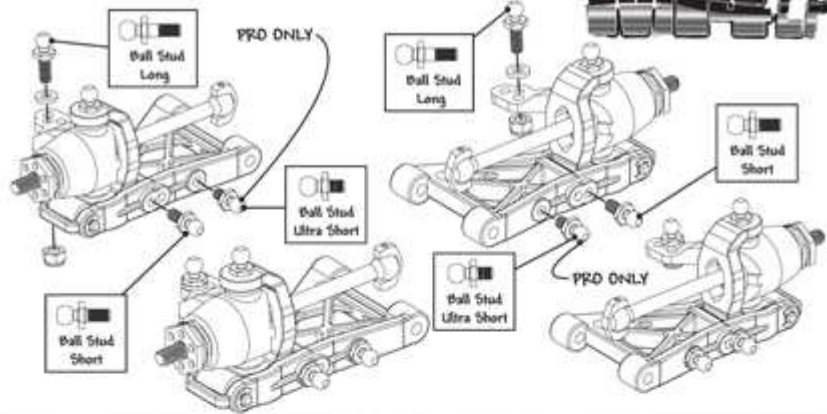
Step 26

B



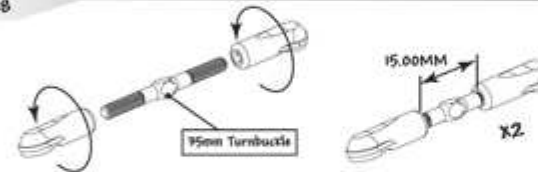
Carefully pre-tap the Hub Carrier using a Flat Hammer and the M4 Pivot. This will ensure easier assembly with the yoke with better alignment.

Step 27



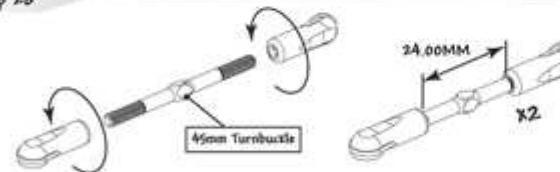
Step 28

A



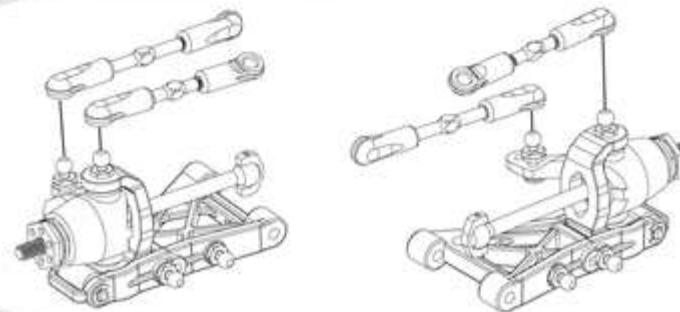
Step 28

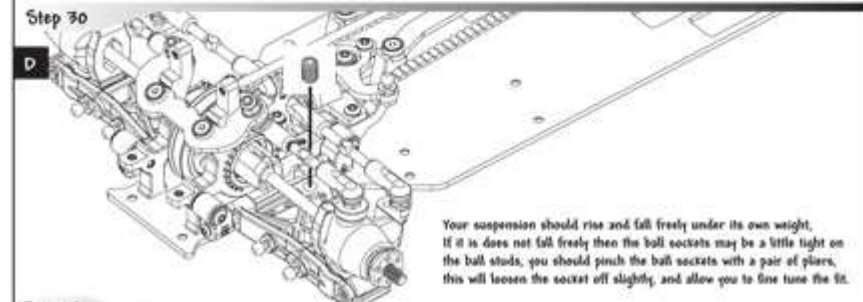
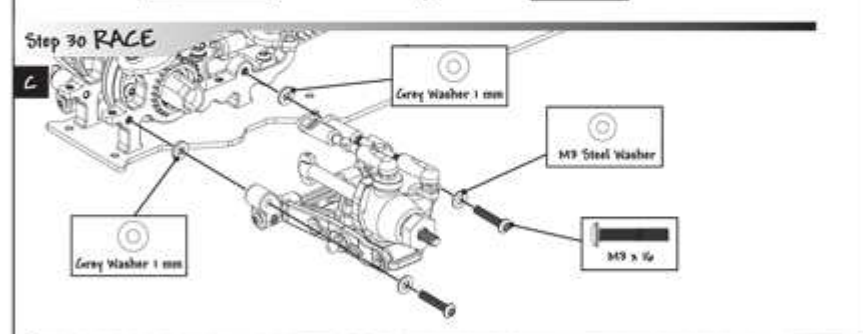
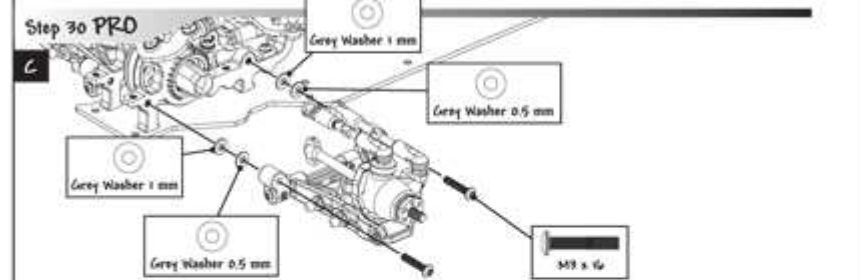
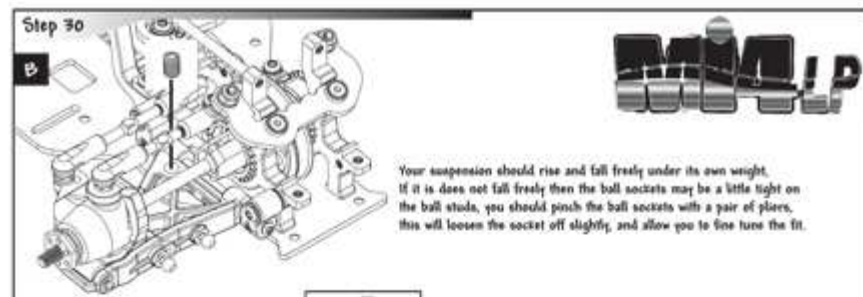
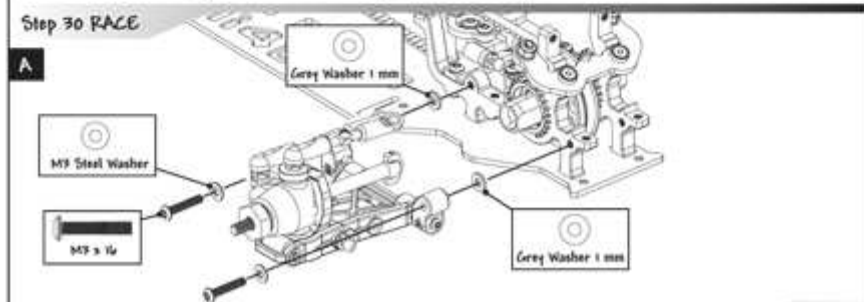
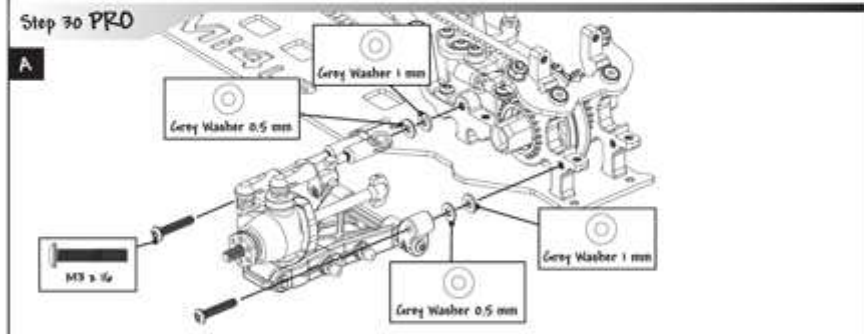
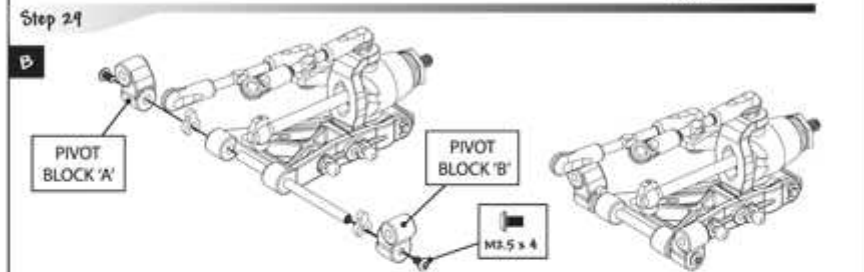
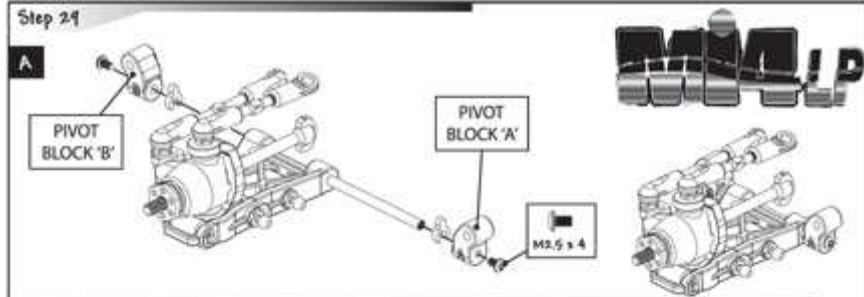
B

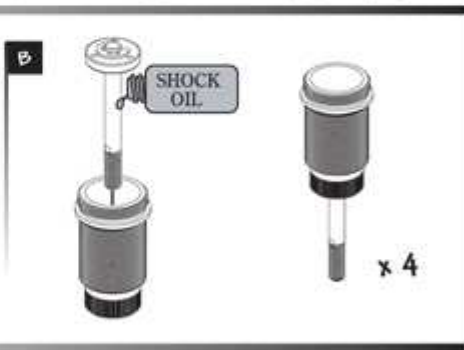
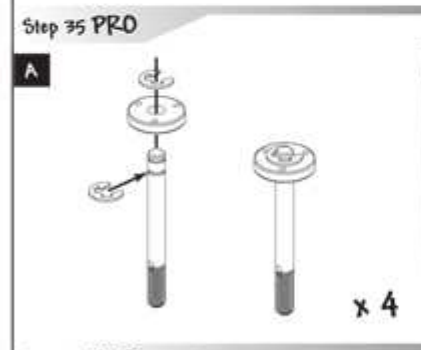
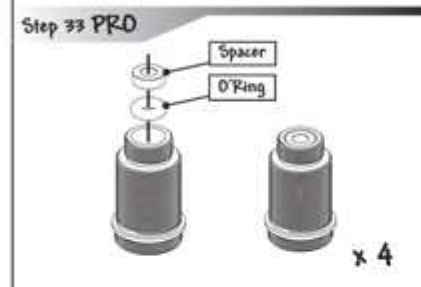
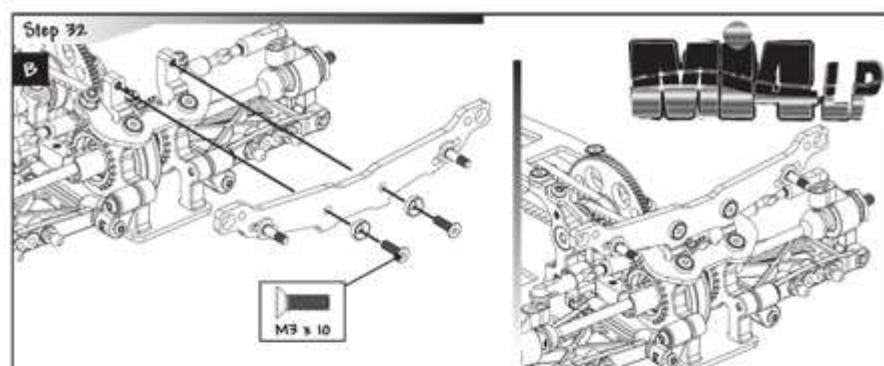
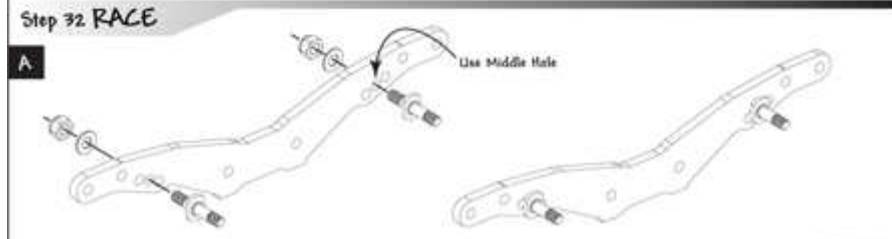
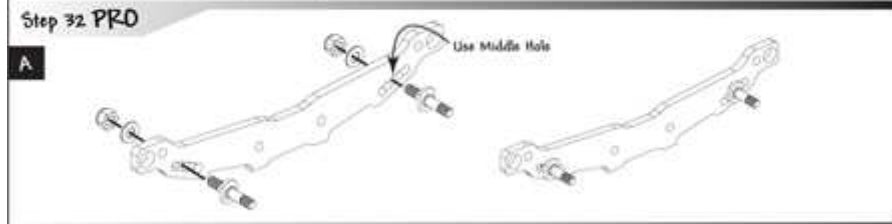
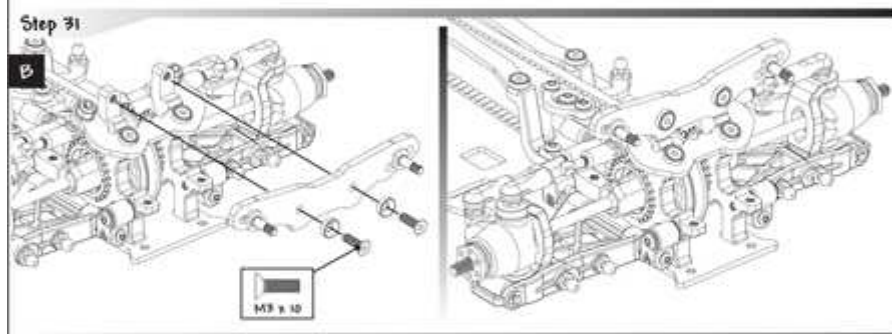
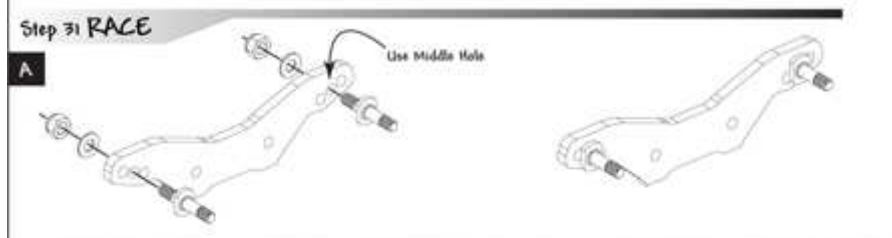
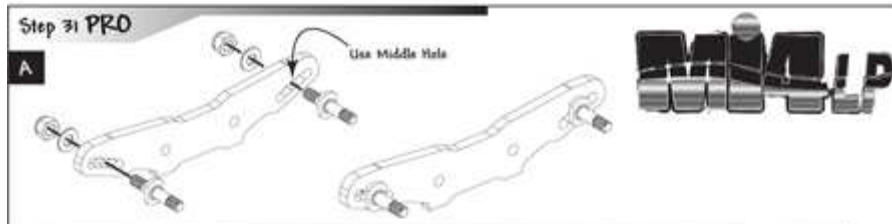


Step 28

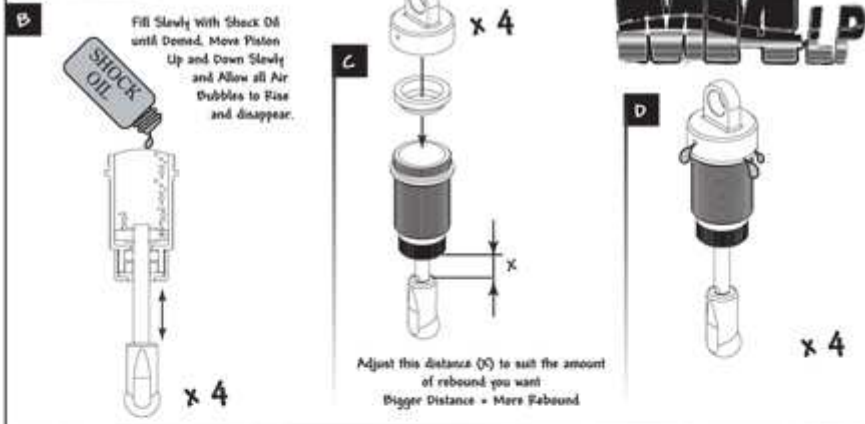
C



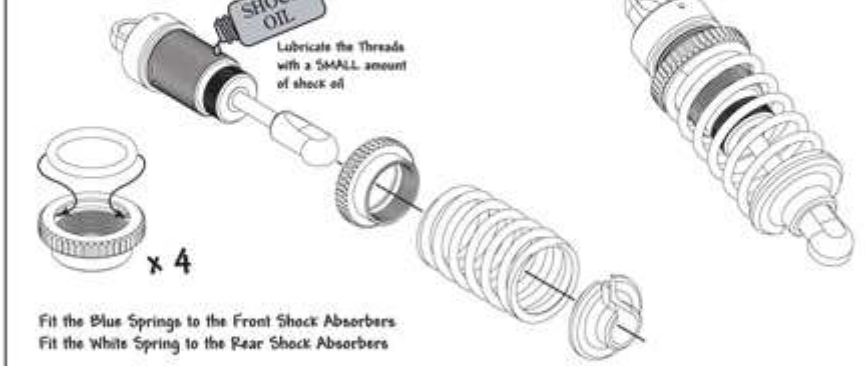




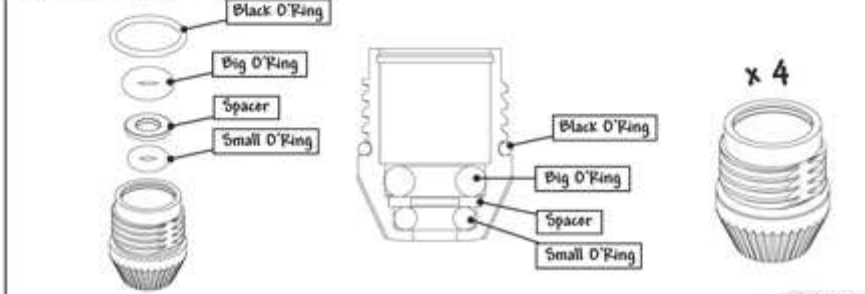
Step 36 PRO



Step 37 PRO



Step 33 RACE



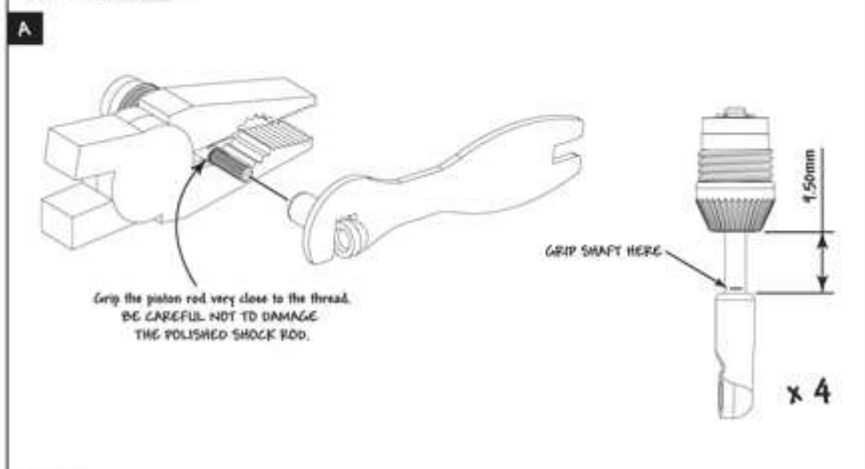
Step 34 RACE



Step 35 RACE



Step 36 RACE

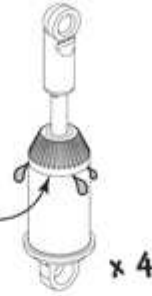
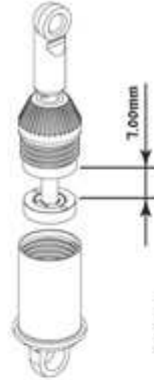


Step 36 RACE

A

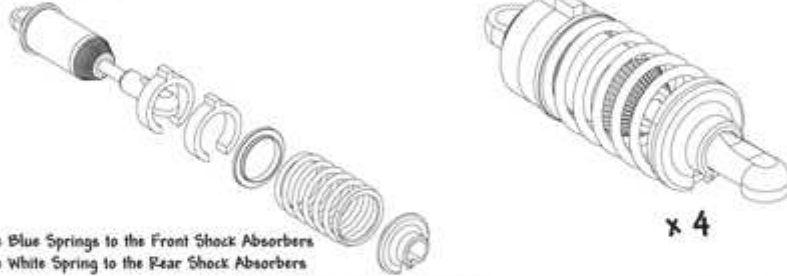


B



Step 37 RACE

A



Fit the Blue Springs to the Front Shock Absorbers
Fit the White Spring to the Rear Shock Absorbers

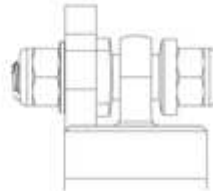
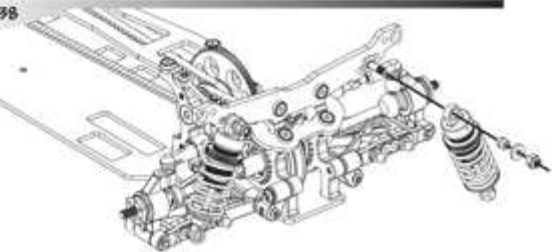
Step 38

A



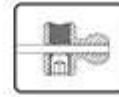
Step 38

B



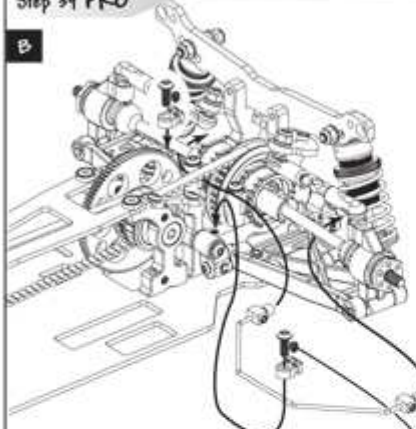
Step 39 PRO

A

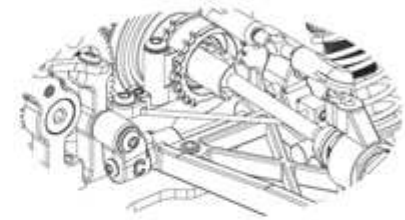


Step 39 PRO

B

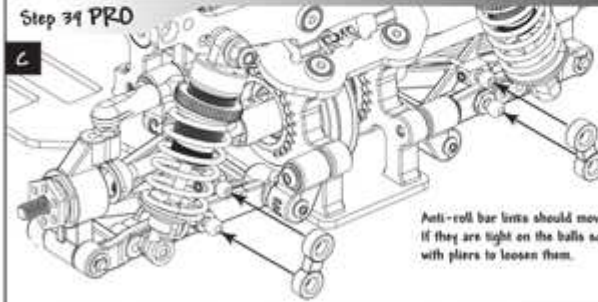


Carefully Adjust the grub screw
to eliminate roll bar play



Step 39 PRO

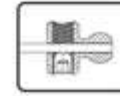
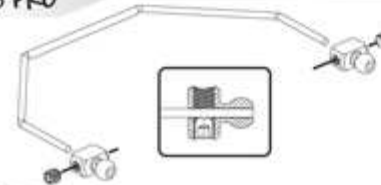
C

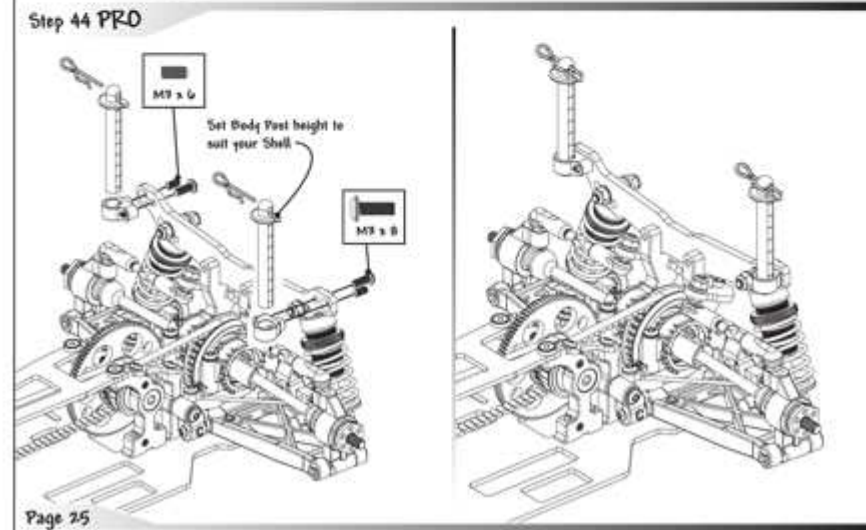
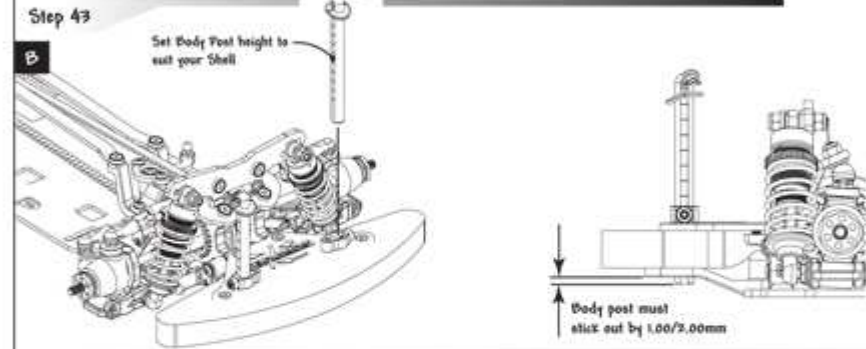
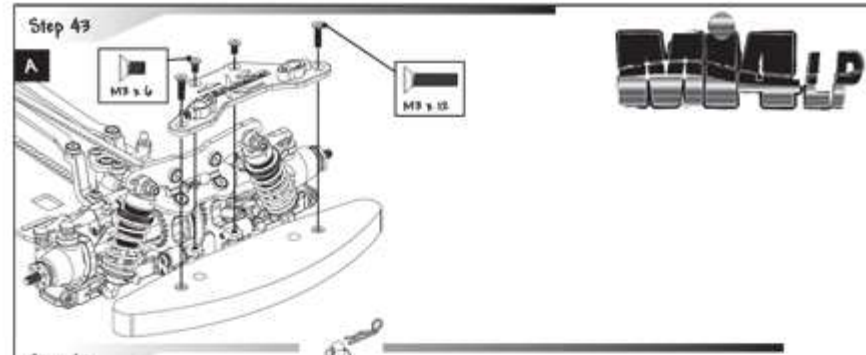
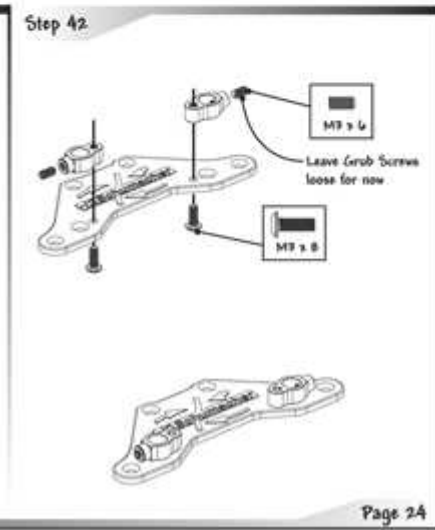
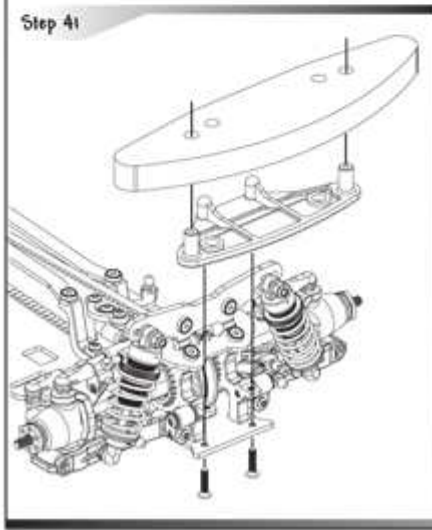
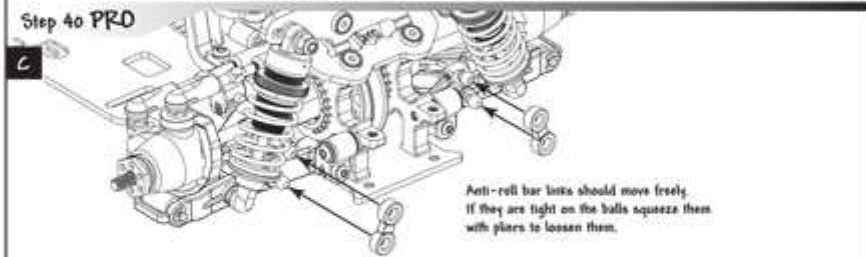
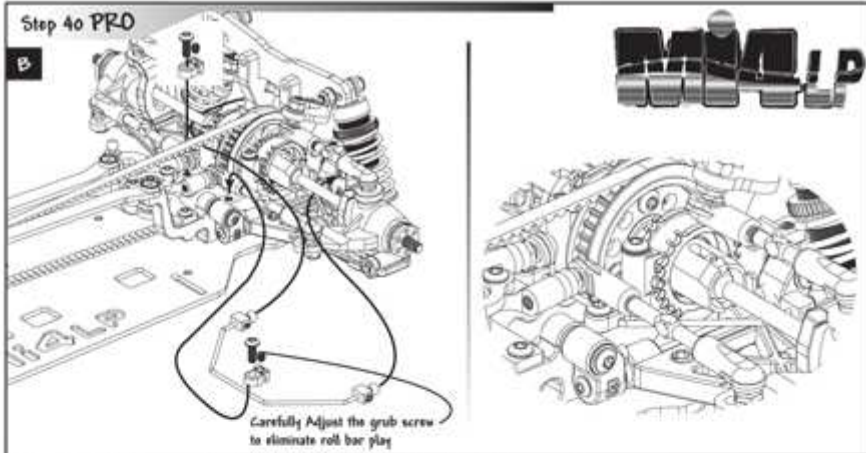


Anti-roll bar links should move freely.
If they are tight on the balls squeeze them
with pliers to loosen them.

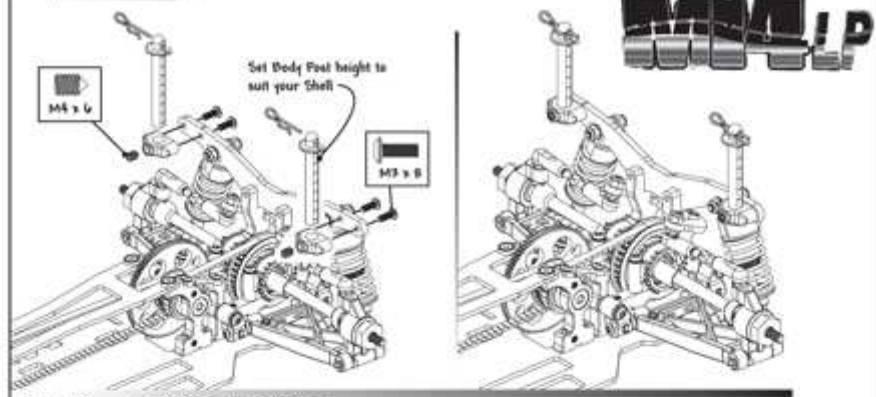
Step 40 PRO

A

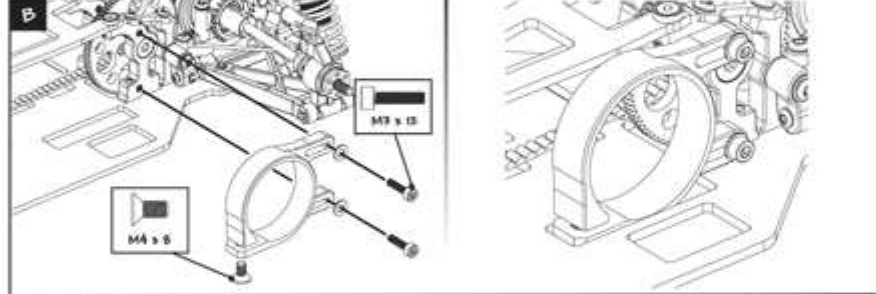




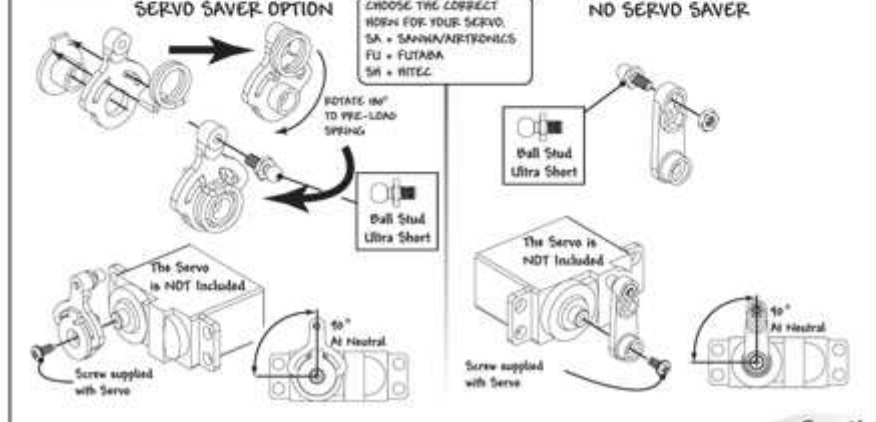
Step 44 SPORT



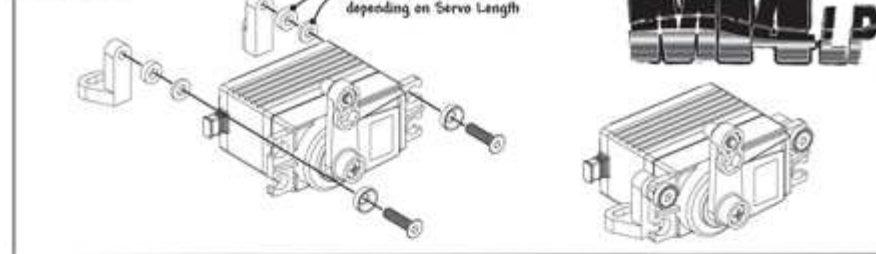
Step 45



Step 46



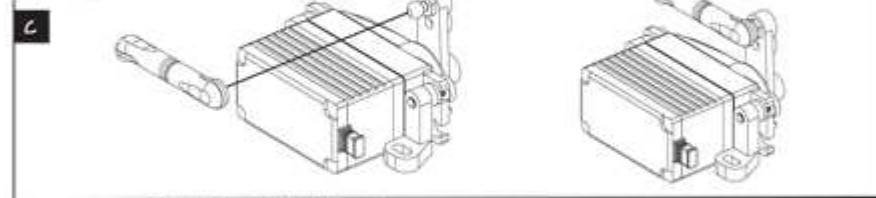
Step 47



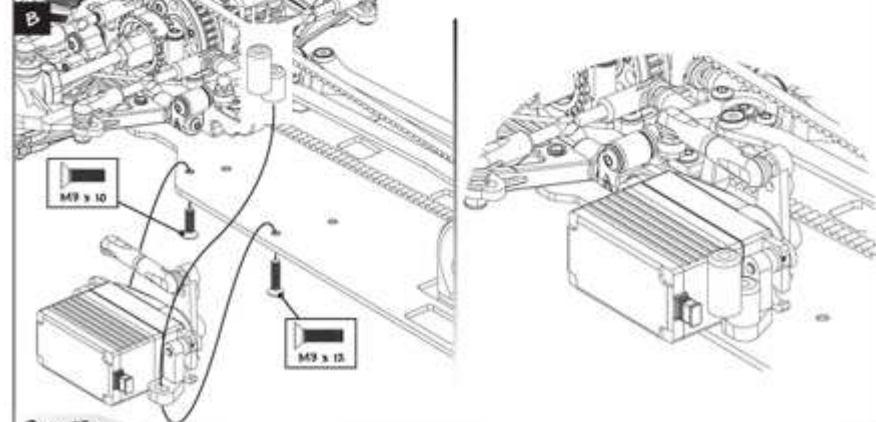
Step 48



Step 48



Step 49

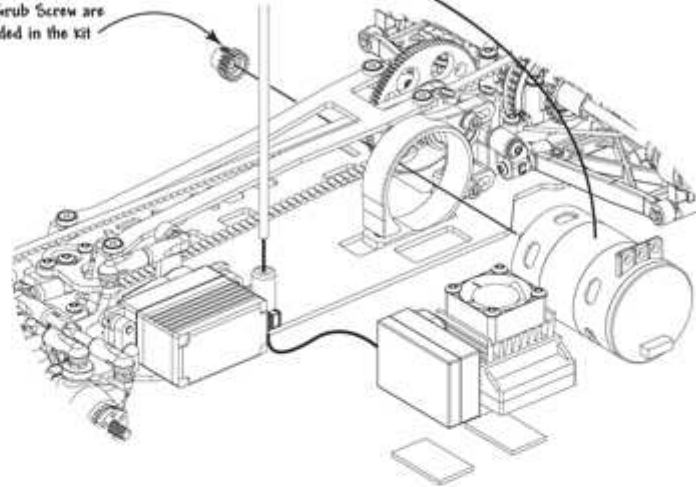


Step 49

C

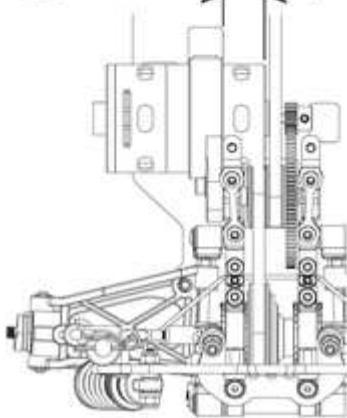
Insert motor into clamp and tighten the clamp screw underneath the car. Then adjust the gear mesh.

Pinion and Grub Screw are NOT included in the kit



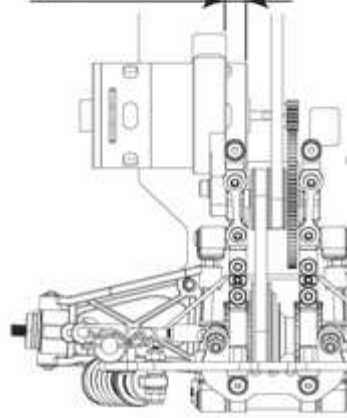
Drivetrain Option 1
Motor Position With Spur and Pinion
tooth sum of 104 or GREATER

Upto 14.00mm

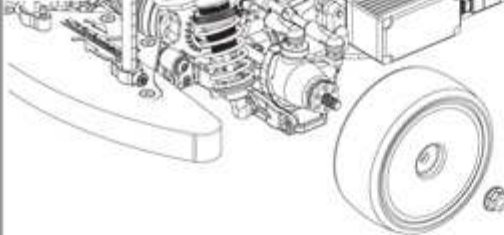


Drivetrain Option 1
Motor Position With Spur and Pinion
tooth sum of LESS than 104

Upto 7.00mm

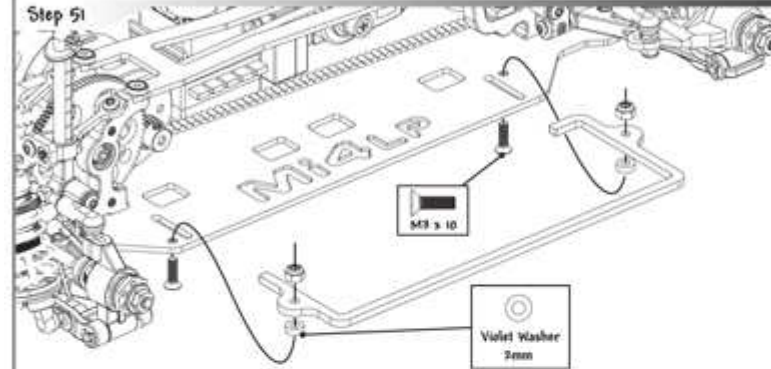


Step 50



The Wheels and Tyres are NOT included in the Kit.

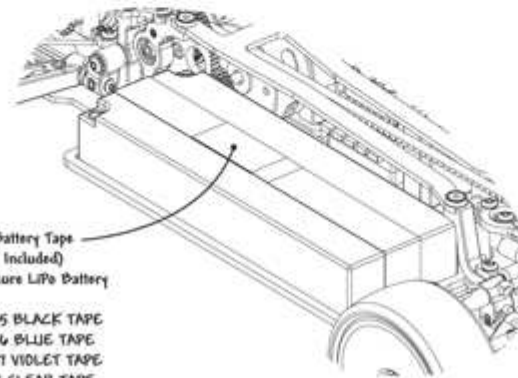
Step 51



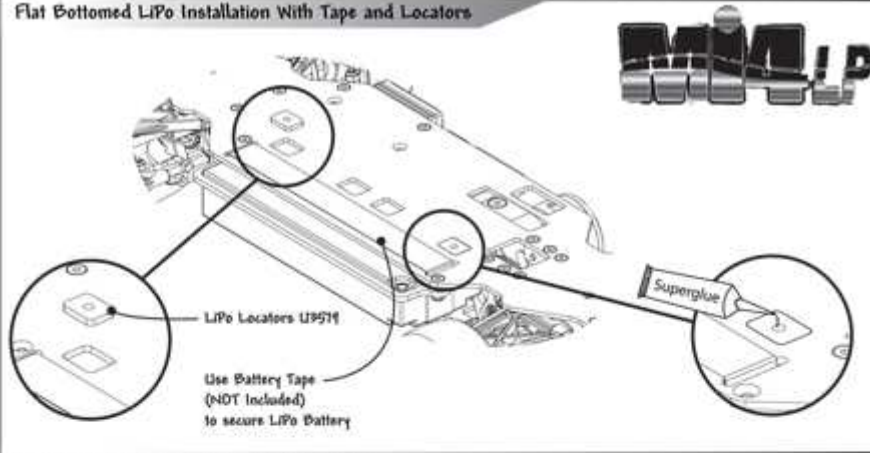
Humped LiPo Installation With Tape

Use Battery Tape (NOT included) to secure LiPo Battery

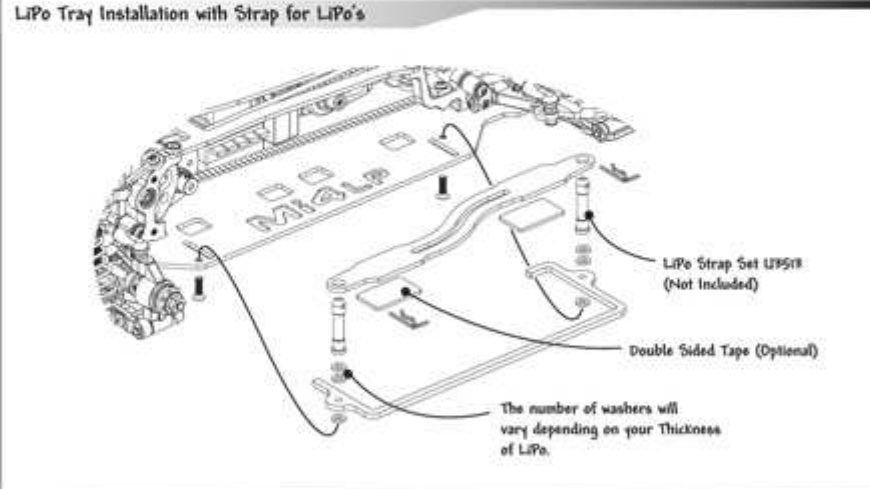
- CR005 BLACK TAPE
- CR006 BLUE TAPE
- CR071 VIOLET TAPE
- H1074 CLEAR TAPE



Flat Bottomed LiPo Installation With Tape and Locators



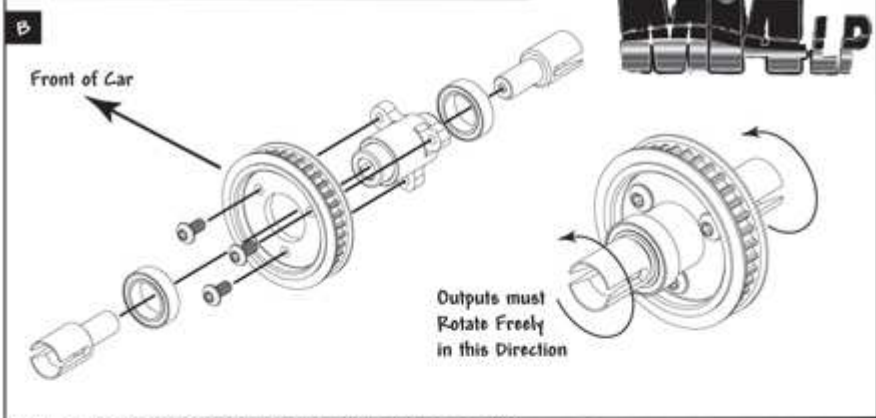
LiPo Tray Installation with Strap for LiPo's



Optional One Way U3531 For Drivetrain Option 1 (see page 3)



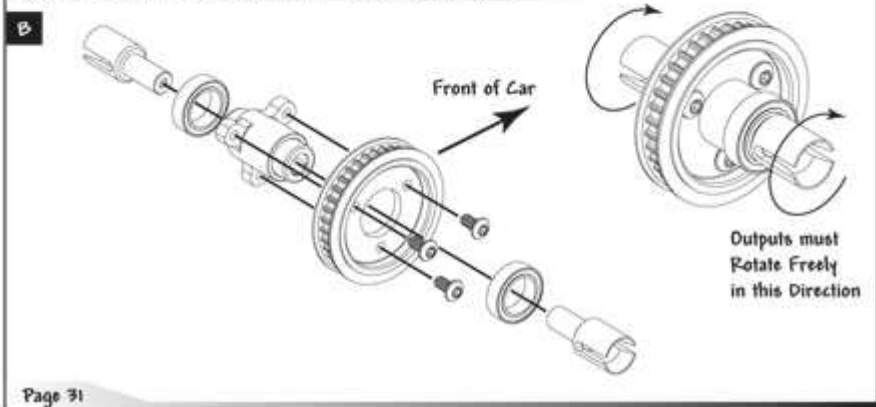
Optional One Way U3531 For Drivetrain Option 1 (see page 3)



Optional One Way U3518 For Drivetrain Option 2 (see page 4)

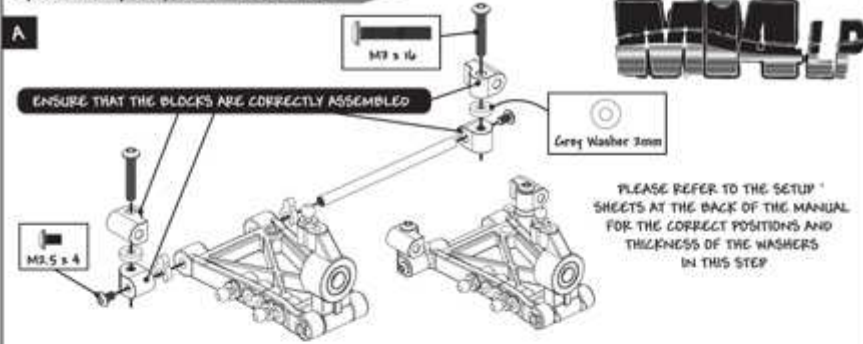


Optional One Way U3518 For Drivetrain Option 2 (see page 4)



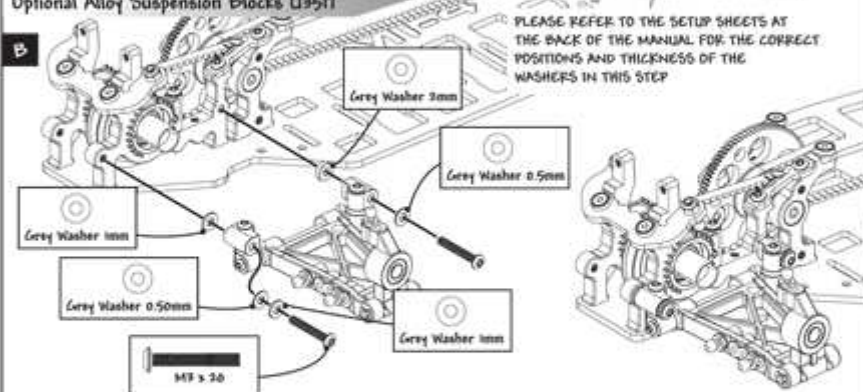
Optional Alloy Suspension Blocks U3517

A



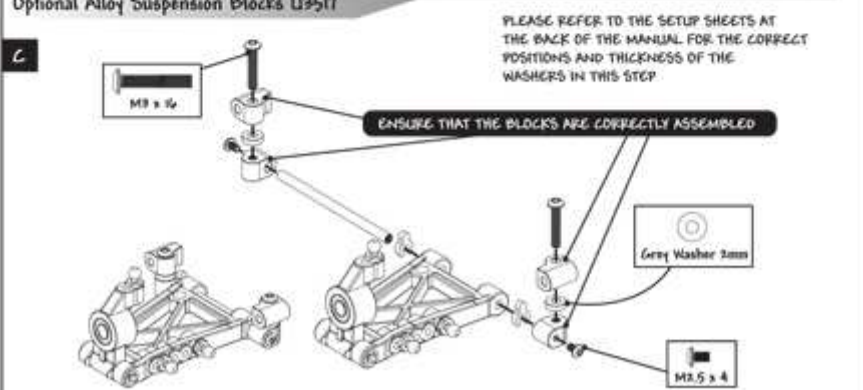
Optional Alloy Suspension Blocks U3517

B



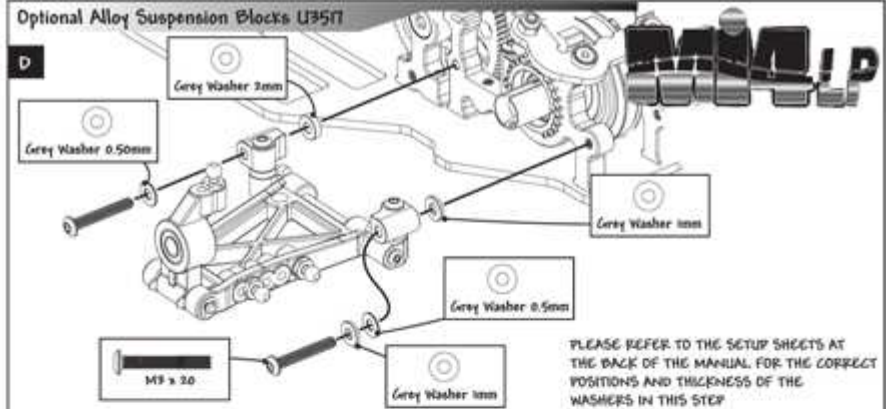
Optional Alloy Suspension Blocks U3517

C



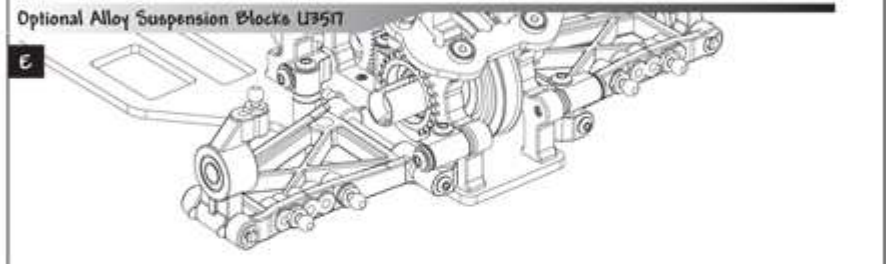
Optional Alloy Suspension Blocks U3517

D



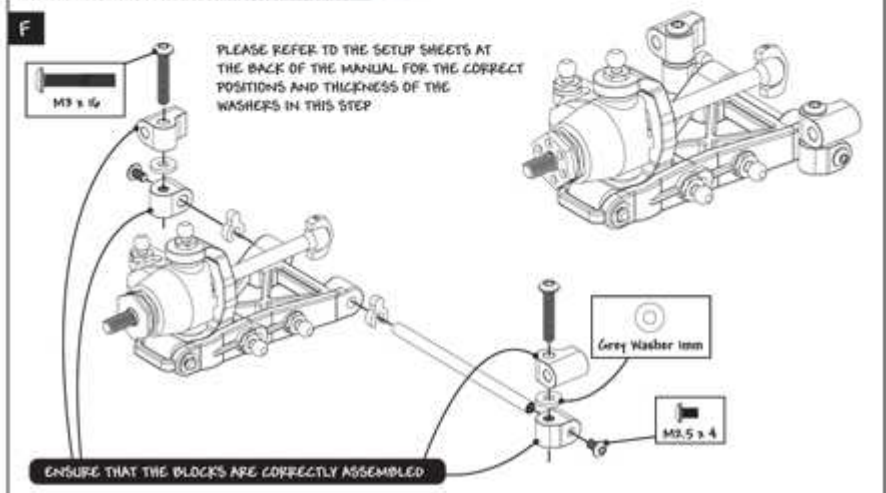
Optional Alloy Suspension Blocks U3517

E



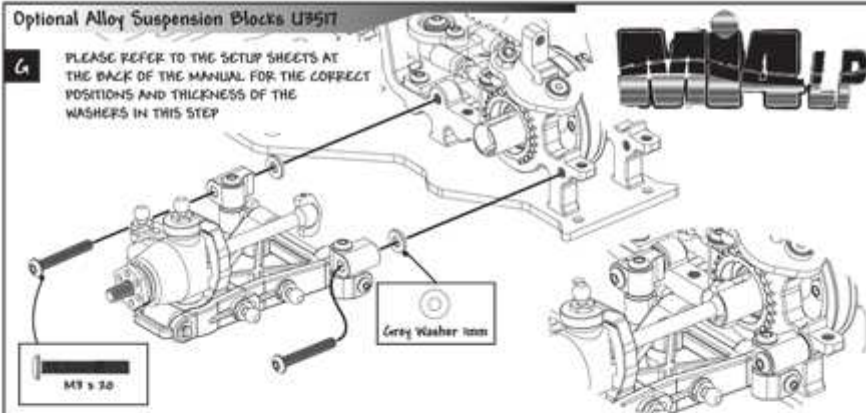
Optional Alloy Suspension Blocks U3517

F

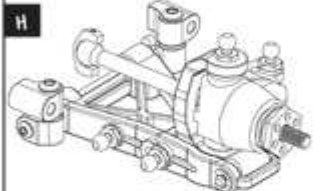


Optional Alloy Suspension Blocks U3517

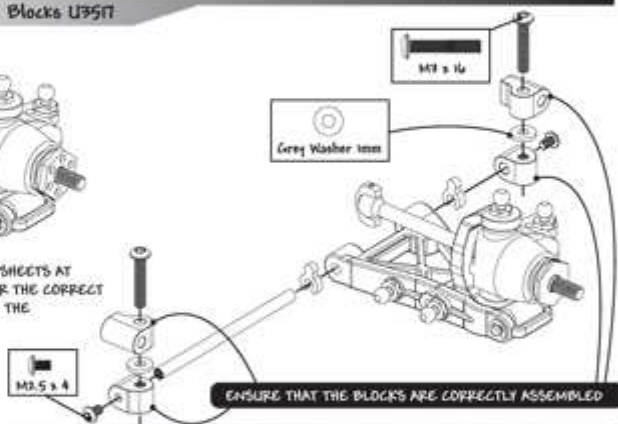
G PLEASE REFER TO THE SETUP SHEETS AT THE BACK OF THE MANUAL FOR THE CORRECT POSITIONS AND THICKNESS OF THE WASHERS IN THIS STEP



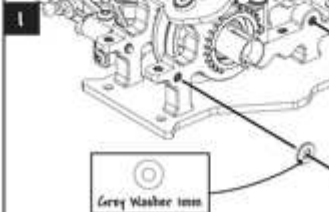
Optional Alloy Suspension Blocks U3517



PLEASE REFER TO THE SETUP SHEETS AT THE BACK OF THE MANUAL FOR THE CORRECT POSITIONS AND THICKNESS OF THE WASHERS IN THIS STEP



Optional Alloy Suspension Blocks U3517

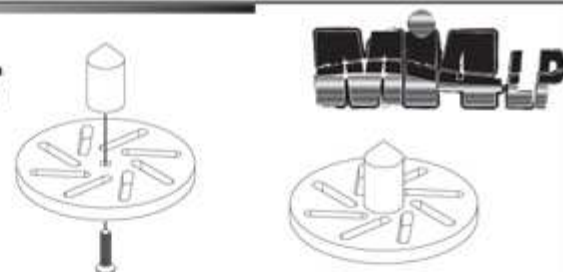


PLEASE REFER TO THE SETUP SHEETS AT THE BACK OF THE MANUAL FOR THE CORRECT POSITIONS AND THICKNESS OF THE WASHERS IN THIS STEP

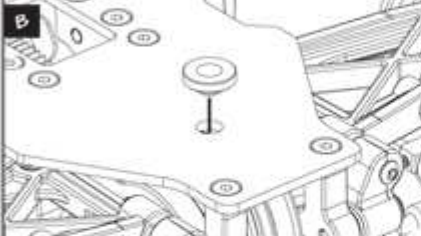
Car Balancing Jig U3582

A The Balancing Jig, with the aid of a pair of scales, is used to accurately and independently measure the corner weights of your car.

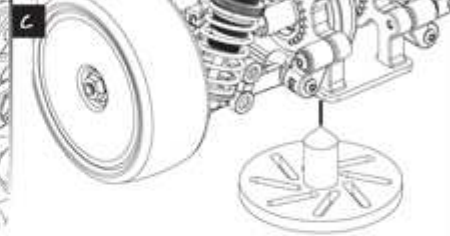
We use a Three point balancing system to eliminate any false readings caused by chassis twist.



Car Balancing Jig U3582

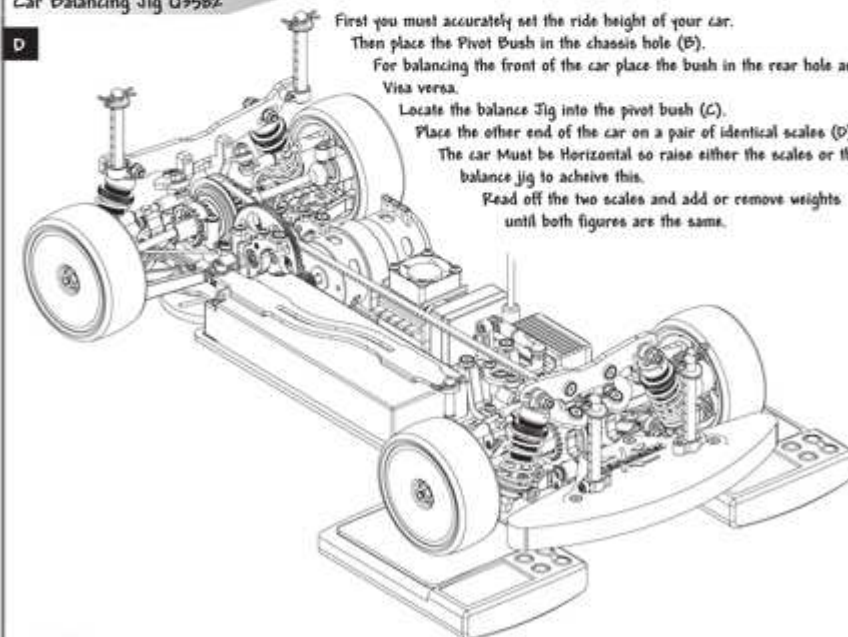


Car Balancing Jig U3582



Car Balancing Jig U3582

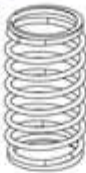
D First you must accurately set the ride height of your car. Then place the Pivot Bush in the chassis hole (B). For balancing the front of the car place the bush in the rear hole and Vice versa. Locate the balance Jig into the pivot bush (C). Place the other end of the car on a pair of identical scales (D). The car Must be Horizontal so raise either the scales or the balance jig to achieve this. Read off the two scales and add or remove weights until both figures are the same.



Track Settings

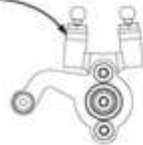
Springs

The spring rate controls the suspension stiffness. Spring adjusters only change the ride height. They DO NOT alter the suspension stiffness. On slippery or bumpy tracks use soft to medium rate springs, on flat or high grip tracks run medium to hard rate springs.



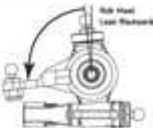
Steering

By Adding and removing the washers under the ball joint, you alter the cars Ackerman and steering response. Adding washers will make the steering more aggressive, where less washers will make for a softer response.



Front Caster

The front caster can be altered by changing the yoke. The car comes with 4° caster as standard. Less caster will give a quicker steering response, but could lead to power on understeer. More caster will give the opposite, slightly slower turn in, but more power on steering.



Shock Brackets (Shock Mounting)

Vertical shock absorbers make the car react sharply to driver inputs.

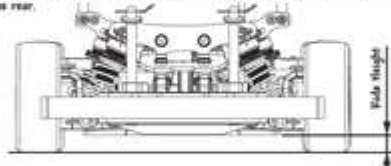
A laydown shock offers a softer feel to the driver.



Ride Height

In general always run the car as low as possible, without the chassis grounding out, as it rolls into corners.

A good starting point with rubber tyres is 5.5mm at the front and 6.0mm at the rear.



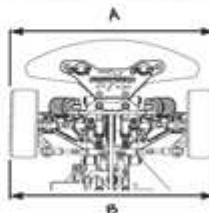
Front Toe-in

The front toe-in is set by adjusting the steering trackrod turnbuckles.

Toe-in = A less than B
Toe-out = A greater than B

Toe-in will give a more stable car, but will give less sharp turn in. Toe-out will give the opposite, less stability with sharper turn in to the corners.

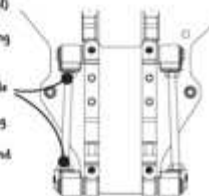
We recommend to start at about 0° or 1° toe-out.



Front and Rear Wheelbase

WHEELBASE ADJUSTMENT (In-board)

The wheelbase may be adjusted by moving the Quik tips to either the front or the back of the wishbones. Shorter wheelbase results in a more agile car, but use longer wheelbase for a smoother less aggressive car. Also moving the wishbone forwards and backwards alters the weight distribution at either end of the car, this results in more or less traction, and more or less steering.

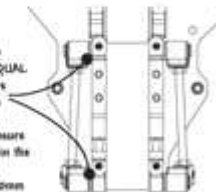


Front and Rear Track Width

TRACK WIDTH ADJUSTMENT (In-board)

The track width of the car may be altered by adding or removing EQUAL thickness grey suspension washers between the Screw Blocks and the transmission housings.

When changing the track width ensure the drive shafts are fully engaged in the Diff outputs. And the width does not exceed 140mm

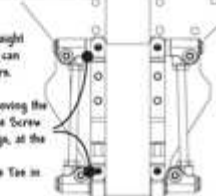


Front and Rear Inboard Toe-in

USING OPTIONAL ALLOY PIVOT BLOCKS

More inboard toe in will improve straight ahead traction and car stability, but can reduce corner speed on fast sweepers.

The toe-in is set by adding or removing the grey suspension washers between the Screw Blocks and the transmission housings, at the front or rear of the wishbones. Each 0.50mm washer will change the Toe in by Approx 0.6°



Page 36

Track Settings

TRANS LINES

To improve the rear end grip of the car use THINNER trans lines (more flex), but to reduce the rear end grip use THICKER trans lines (less flex). This adjustment allows tuning the balance of the car on various tracks.



Gear Chart 48dp

Maximum Tooth Sum = 178.....Minimum Tooth Sum = 51.....Interval Ratio = 1.8:1

	14	15	16	17	18	19	20	21	22	23	24	25	26	27	28	29	30	31	32	33	34	35	36	37	38	39	40	41	42	43	44	45	46	47	48	49	50	
8T	11.44	10.68	10.20	9.83	9.52	9.27	9.07	8.91	8.78	8.67	8.58	8.51	8.45	8.40	8.36	8.32	8.29	8.26	8.24	8.22	8.20	8.18	8.16	8.15	8.14	8.13	8.12	8.11	8.10	8.09	8.08	8.07	8.06	8.05	8.04	8.03	8.02	8.01
8T	11.18	10.44	9.71	9.01	8.34	7.71	7.10	6.51	5.95	5.43	4.94	4.48	4.05	3.65	3.28	2.94	2.63	2.34	2.07	1.82	1.59	1.38	1.19	1.02	0.87	0.74	0.62	0.51	0.41	0.32	0.24	0.17	0.11	0.06	0.02	0.00	0.00	0.00
8T	10.79	10.20	9.59	9.00	8.50	8.05	7.65	7.28	6.95	6.65	6.38	6.13	5.90	5.69	5.50	5.32	5.15	5.00	4.86	4.73	4.61	4.50	4.40	4.31	4.23	4.15	4.08	4.01	3.94	3.87	3.81	3.75	3.69	3.63	3.57	3.51	3.45	3.39
T0								6.00	5.71	5.48	5.25	5.04	4.85	4.67	4.50	4.34	4.20	4.06	3.94	3.82	3.71	3.60	3.50	3.41	3.32	3.24	3.16	3.08	3.00	2.92	2.84	2.76	2.68	2.60	2.52	2.44	2.36	2.28
5W												4.75	4.61	4.48	4.34	4.21	4.08	3.96	3.84	3.72	3.60	3.48	3.36	3.24	3.12	3.00	2.88	2.76	2.64	2.52	2.40	2.28	2.16	2.04	1.92	1.80	1.68	1.56

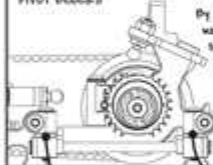
Gear Chart 64dp

Maximum Tooth Sum = 170.....Minimum Tooth Sum = 43.....Interval Ratio = 1.8:1

	14	15	16	17	18	19	20	21	22	23	24	25	26	27	28	29	30	31	32	33	34	35	36	37	38	39	40	41	42	43	44	45	46	47	48	49	50		
10T	11.44	10.68	10.10	9.65	9.27	8.95	8.69	8.47	8.27	8.09	7.93	7.79	7.66	7.54	7.43	7.33	7.24	7.15	7.07	7.00	6.93	6.86	6.80	6.74	6.68	6.62	6.56	6.50	6.44	6.38	6.32	6.26	6.20	6.14	6.08	6.02	5.96	5.90	5.84
10T	11.18	10.44	9.71	9.01	8.34	7.71	7.10	6.51	5.95	5.43	4.94	4.48	4.05	3.65	3.28	2.94	2.63	2.34	2.07	1.82	1.59	1.38	1.19	1.02	0.87	0.74	0.62	0.51	0.41	0.32	0.24	0.17	0.11	0.06	0.02	0.00	0.00	0.00	
10T	10.80	10.20	9.59	9.00	8.50	8.05	7.65	7.28	6.95	6.65	6.38	6.13	5.90	5.69	5.50	5.32	5.15	5.00	4.86	4.73	4.61	4.50	4.40	4.31	4.23	4.15	4.08	4.01	3.94	3.87	3.81	3.75	3.69	3.63	3.57	3.51	3.45	3.39	
10T	10.44	9.71	9.01	8.34	7.71	7.10	6.51	5.95	5.43	4.94	4.48	4.05	3.65	3.28	2.94	2.63	2.34	2.07	1.82	1.59	1.38	1.19	1.02	0.87	0.74	0.62	0.51	0.41	0.32	0.24	0.17	0.11	0.06	0.02	0.00	0.00	0.00		
5W								6.17	5.95	5.70	5.47	5.24	5.03	4.84	4.66	4.49	4.32	4.15	4.00	3.86	3.72	3.58	3.44	3.30	3.16	3.02	2.88	2.74	2.60	2.46	2.32	2.18	2.04	1.90	1.76	1.62	1.48	1.34	
5W												5.23	5.06	4.91	4.76	4.61	4.47	4.32	4.18	4.04	3.90	3.76	3.62	3.48	3.34	3.20	3.06	2.92	2.78	2.64	2.50	2.36	2.22	2.08	1.94	1.80	1.66		

Front Inboard Pin Options

USING OPTIONAL ALLOY PIVOT BLOCKS



ROLL CENTRE ADJUSTMENT

By adding or removing the Grey Suspension washers between the pivot blocks you are able to change the height of the roll centre. Generally a lower pin will give more grip, and a higher pin will reduce grip.

ROCK UP OR ANTI-DIVE
The best balance on the car is usually with a level wishbone pin, however a small amount of anti-dive can improve stability under braking.

By adding the Grey Suspension washer at the front of the wishbone you will get anti-dive. 0.50mm = 0.5°

By adding the Grey Suspension washer at the rear of the wishbone you will get rock-up. 0.50mm = 0.5°

Rear inboard Pin Options

ROLL CENTRE ADJUSTMENT

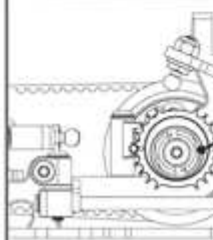
By adding or removing the Grey Suspension washers between the pivot blocks you are able to change the height of the roll centre. Generally a lower pin will give more grip, and a higher pin will reduce grip.

SQUAT OR ANTI-SQUAT
The best balance on the car is usually with a level wishbone pin, however a small amount of Anti Squat can improve on power traction.

By adding the Grey Suspension washer at the rear of the wishbone you will get Anti-Squat. 0.50mm Difference = 0.5°

By adding the Grey Suspension washer at the front of the wishbone you will get Pro-Squat. 0.50mm Difference = 0.5°

Diff Height (High or Low)



DIFF HEIGHT

Diff height adjustment is provided so that the car may run level drive shafts at ride height with different diameter tyres.

Front and Rear Suspension Link

WIDTH ADJUSTMENT

The width of the inboard suspension link can be altered by Speed Secret link Brackets

HEIGHT ADJUSTMENT

The height of the inboard suspension link can be altered by adding or removing the violet spacer washers, between the link mount and the ball stud, or under the link mount bracket.

This adjustment alters the camber gain of the suspension, generally a lower ball stud (or shorter link) gives more instant cornering grip followed by a sudden breakaway whereas a higher ball (or longer link) gives smoother more progressive cornering grip.

Page 37

ACCESSORIES

CRO55 CORE RC Silicone Wire 12g - Blue 50 Metre Reel
 CRO59 CORE RC - Safe Charge Pouch 23x30cm
 CR115 CORE RC Silicone Wire 12g - Red/Black/Blue 3x50cm
 G794 Battery Bars - pk5
 G795 Female Connector Tubes (pk 10)
 G796 Male Connector Plugs (pk 2)
 GM8375 Battery Warmer Pads 40degC 12v 3Amp
 H1039 Battery Tape - Natural 50m x 17mm
 H1046 T Connector; Red 2 Way - Male & Female
 H1047 T Connector; Black 2 Way - Male & Female
 H1048 T Connector; Red Sockets - pk4
 H1049 T Connector; Black Sockets - pk4
 H1054 Polarised Plug+Socket; 3.5mm - Pair
 SEL3000B SP Lipo Extension Balance

TOOLS

AT1142 ATS Set Up Gauges - 1/10th Touring
 CR044 CORE RC - Curved Body Scissors
 CR045 CORE RC - Straight Body Scissors
 CR100 Shock Shaft Pliers - Purple
 CR101 Shock Shaft Pliers - Black
 CR102 Magnetic Parts Tray - Purple
 CR103 Magnetic Parts Tray - Black
 ED190024 Arm Reamer 3.175 (1/8) x 120mm
 H1032 Alloy Camber Gauge - 1/10th
 H1055 GTS Lube & Clean Aerosol 400ml
 NR95120 Ultimate Cleaner Spray
 NR95280 Ultimate Activator
 NR95221 Ultimate Glue
 U2789 Schumacher Hex Driver - 1.5mm
 U2790 Schumacher Hex Driver - 2.0mm
 U2791 Schumacher Hex Driver - 2.5mm
 U2792 Schumacher Hex Driver - 3.0mm
 U2795 Schumacher M3 Nut Driver
 U2796 Schumacher M4 Nut Driver
 U2818 Schumacher Body Reamer

1/10 TOURING WHEELS

NR95070 VTEC Truespin Rim 24m
 NR95075 NOSRAM VTEC Wheelsticker Racing 10 spoke
 NR95076 NOSRAM VTEC Wheelsticker Multi spoke
 U2500 Rev-Lite; 24mm - White (Pk4)
 U2501 Rev-Lite; 24mm InchUp - White (Pk4)
 U2777 Rev-Lite; Flex 24mm - White (Pk4)
 U2799 Rev-Lite Stiff; 24mm - White (Pk4)

1/10 TOURING TYRES & INSERTS

NR95031 VTEC CPX, Pre-Glued Carpet (4 pcs)
 NR95032 VTEC 27X, Pre-Glued Asphalt (4 pcs)
 NR95034 VTEC 30X, Pre-Glued Asphalt (4 pcs)
 NR95035 VTEC 33X, Pre-Glued Asphalt (4 pcs)
 NR95055 VTEC Rain Dunlop D20 Radial D20
 NR96010 Traction-additive carpet
 NR96020 Traction additive asphalt
 U6623 SST Mini Pins 24/25 - Blue (pr)
 U6624 SST Mini Pins 24/25 - Yellow (pr)
 U6626 SST Foam Tyre Insert - 24/25 Soft (pr)
 U6627 SST Foam Tyre Insert - 24/25 Hard (pr)
 U6628 SST Foam Tyre Insert - 24/25 Comp (pr)
 U6629 SST Rally 24/25 - Yellow (pr)
 U6630 SST Rally 24/25 - White (pr)
 U6634 SST Foam Tyre Insert - 20 Soft (pr)
 U6635 SST Foam Tyre Insert - 20 Hard (pr)
 U6670 SST Mini Pins 20 - Blue (pr)
 U6671 SST Mini Pins 20 - Yellow (pr)
 U6672 SST Belted Slick 25 - White (pr)
 U6690 SST Carpet Dragon 24/25mm (pr)
 U6695 Moulded LP Insert Orange X-Soft (pr)
 U6696 SST Moulded LP Insert Green Med (pr)
 U6699 SST LP24 Foam Insert; Med Blk (pr)



U6700 SST LP24 Foam Insert; Soft Gy (pr)
 U6714 Moulded LP Insert Aqua - Soft (pr)
 U6716 SST Mini Pins 24/25 - Green (pr)
 U6717 SST Mini Pins 20 - Green (pr)

SOREX - TOURING CAR TYRES

XCO-20R Sores Competition Tyre - 20R
 XCO-24R Sores Competition Tyre - 24R
 XCO-28R Sores Competition Tyre - 28R
 XCO-32R Sores Competition Tyre - 32R
 XCO-36R Sores Competition Tyre - 36R
 XCO-40R Sores Competition Tyre - 40R
 XG-24BM Sores Glued 24R+Med B+RevLite24 pk4
 XG-28BM Sores Glued 28R+Med B+RevLite24 pk4
 XG-28JB Sores Glued 28R+JB+RevLite24 pk4
 XG-32BM Sores Glued 32R+Med B+RevLite24 pk4
 XG-32CM Sores Glued 32R+Med C+RevLite24 pk4
 XG-36BM Sores Glued 36R+Med B+RevLite24 pk4
 XG-36CM Sores Glued 36R+Med C+RevLite24 pk4
 XG-36EU Sores Glued 36R+C Med; Euro 2008 pk4
 XG-WET Shimizu D011 Wet Pre-Glued; Euro 2008 pk4
 XMA-24F Sores Moulded Insert - A Firm pr
 XMA-24M Sores Moulded Insert - A Med pr
 XMB-24F Sores Moulded Insert - B Firm pr
 XMB-24M Sores Moulded Insert - B Med pr
 XMC-24M Sores Moulded Insert - C Med pr

NOSRAM VTEC FOAMS

NR95012 VTEC Foam Tires 1/10 26mm front 35°
 NR95013 VTEC Foam Tires 1/10 26mm front 37°
 NR95014 VTEC Foam Tires 1/10 26mm front 40°
 NR95015 VTEC Foam Tires 1/10 26mm front 42°
 NR95016 VTEC Foam Tires 1/10 26mm front 45°
 NR95022 VTEC Foam Tires 1/10 30mm rear 35°
 NR95023 VTEC Foam Tires 1/10 30mm rear 37°
 NR95024 VTEC Foam Tires 1/10 30mm rear 40°
 NR95025 VTEC Foam Tires 1/10 30mm rear 42°
 NR95026 VTEC Foam Tires 1/10 30mm rear 45°

BODYSHELLS & DECALS

EC1381085I East Coast Rear Body Supports
 EC13810W1A East Coast Side Body Supports
 EC13810W1B East Coast Body Stiffeners 5pcs
 EC16283121 East Coast - Body; Iso250 190mm
 EC16283122 East Coast - Body; Euro-R 190mm
 EC16283123 East Coast - Body; 320si 190mm
 EC16283126 East Coast - Body; Speed 6 190mm
 EC16283129 East Coast - Body; Evo9x 190mm
 EC16283212 East Coast - Body; Euro-R 200mm
 EC16283206 East Coast - Body; 3502 190mm
 EC16283208 East Coast - Body; R07 190mm
 EC16283209 East Coast - Body; S15 190mm
 EC168M609 East Coast Body; 2009 M-Speed 6 - 190mm
 EC168M609L ICLight Body; 2009 M-Speed 6 - 190mm
 EC388268 East Coast - Half Paint; Blue; Speed 6 190mm
 EC388268R East Coast - Half Paint; Red; Speed 6 190mm
 U3478 Decal Sheet - Schumacher & Racing-Cars.Com (pk3)
 U3561 Decal Sheet - M4-LP (pk3)

THE NOSRAM AND GM PRODUCTS ARE AVAILABLE FROM SCHUMACHER IN THE UK ONLY.



ELECTRIC - TOURING CARS

K107 M4-LP Pro-CF - 1-10 Touring - KIT
 K109 M4-LP Pro-CF - 1-10 Touring - ASSEMBLED
 K108 M4-LP Race - S1 - 1-10 Touring - KIT
 K110 M4-LP Race - S1 - 1-10 Touring - ASSEMBLED

CHASSIS PARTS

U1042 Aerial Mount - Universal
 U119 Aerial Tube - Pack 4
 U2231 Servo Horns
 U2480 Body Posts & R Clips (pk 4)
 U3154 Foam Bumper - M4
 U3155 Front Bumper Mouldings - M4
 U3158 Alloy Body Post Mounts; Horizontal (pr)
 U3159 Alloy Body Post Mounts; Vertical (pr)
 U3486 CF Top Deck; 2.0 - M4 Kit
 U3487 CF Top Deck; 2.5 - M4
 U3488 CF Top Deck; 3.0 - M4
 U3513 CF Lipo Strap & Posts - M4
 U3514 CF Lipo Strap - M4
 U3521 CF Trans Link Tuning Set; 4prs - M4
 U3562 Instruction Manual - M4-LP
 U3565 CF Chassis; 2.0 - M4-LP Kit Spec
 U3566 CF Chassis; 2.5 - M4-LP
 U3567 CF Chassis; 3.0 - M4-LP
 U3568 CF Lipo Retainer - M4-LP
 U3569 CF Lipo Battery Locator; Micro pk4
 U3571 Alloy Servo Mounts - M4-LP

CHASSIS PARTS (RACE ONLY)

U2154 Lite Body Post Set; 2 vert 2 horiz
 U2989 Ball Grippa Sockets - (pk 8)
 U3573 Chassis; S1 - M4-LP-Race
 U3574 Lipo Retainer S1 - M4-LP-Race
 U3575 Shock Bracket; Front S1 - M4-LP-Race
 U3576 Shock Bracket; Rear S1 - M4-LP-Race
 U3577 S1 Mounts; Strg & Upper Link - M4-LP-Race
 U3578 Top Deck; S1 - M4-LP-Race
 U3579 Lipo Locator S1 - M4-LP-Race

SUSPENSION

U1440 Pro Pin; grooved 1/8x25mm (pr)
 U2664 Steering Yoke Pivot Set - 2 pairs
 U2718 Pro Pin; Grooved 1/8x18mm (pr)
 U2736 Steering Yoke; 2 degree - M4 pr
 U2737 Steering Yoke; Kit Std 4 degree - M4 pr
 U2738 Steering Yoke; 6 degree - M4 pr
 U2750 Droop Screw; M5x8mm pk4
 U2882 Servo Saver Set; Light & Heavy Springs
 U2990 Front Hub Carrier - M4
 U2992 Rear Hub Carrier - M4
 U3127 Wishbones; Graphite Front - M4
 U3128 Wishbones; Graphite Rear - M4
 U3129 Alloy Block; Screw - M4 (pr)
 U3130 Alloy Block; Pivot - M4 (pr)
 U3137 Shock Mounting Post - M4 (pr)
 U3142 Pro Pivot Pin - 35mm - M4 (pr)
 U3156 Roll Bar Set; Front 1.2-1.4-1.6 - M4
 U3157 Roll Bar Set; Rear 1.2-1.4-1.6 - M4
 U3209 Turnbuckle Adjuster; Gold - 24mm (pr)
 U3210 Turnbuckle Adjuster; Gold - 35mm (pr)
 U3211 Turnbuckle Adjuster; Gold - 39mm (pr)
 U3212 Turnbuckle Adjuster; Gold - 45mm (pr)
 U3249 Wishbones; Med Flex Front - M4
 U3250 Wishbones; Medium Flex Rear - M4

U3251 Wishbones; Extra Flex Front - M4
 U3252 Wishbones; Extra Flex Rear - M4
 U3261 Ti Groop Screw - M4 pk4
 U3493 Alloy Steering Housing & Post - M4
 U3494 Suspension Pivots Blocks; set B - M4
 U3495 Ball Studs; Ultra Short - Horizontal
 U3496 Ball Studs; Short - pk 4
 U3497 Ball Studs; Long - pk 4
 U3498 Ball Studs; X-Long - pk 4
 U3499 Roll Bar Blocks - M4 pk4
 U3500 Pro-Ball Socket; Black - pk 8
 U3501 CF Steering Arm & Mount - M4
 U3522 CF Shock Bracket; Front - M4
 U3523 CF Shock Bracket; Rear - M4
 U3526 CF Upper Link Mount; 45mm 1gr - M4
 U3527 CF Upper Link Mount; 42mm 2gr - M4
 U3528 CF Upper Link Mount; 39mm 3gr - M4
 U3530 Steering Yoke; Xtra Flex 4 degree (pr)
 U3549 Wishbones; Short Graphite Front - M4
 U3550 Wishbones; Short Graphite Rear - M4
 U3551 Wishbones; Short Med Flex Front - M4
 U3552 Wishbones; Short Med Flex Rear - M4
 U3748 Steering Yoke; Med Flex 4 degree (pr)

SHOCK ABSORBERS

U2993 Race Shock Body; Nickel Teflon (pr)
 U2994 Race Shock Collar; threaded adjuster (pr)
 U2995 Race Shock Piston - Trig 2 Hole (pr)
 U2996 Race Shock Piston - Trig 3 Hole (kit std) (pr)
 U2997 Race Shock Rod; Ti-Nitride - 30mm (pr)
 U2998 Race Shock Seal Housing; On Road (pr)
 U2999 Race Shock Seal Rebuild Pack (pr)
 U3001 Race Shocks; fully assembled pair
 U3284 Race Shock Top Cap (pr) - Black Unvented
 U613 Spring Stop & Spacer Mouldings (pr)

SHOCK ABSORBERS (RACE ONLY)

U1310 Shock Mouldings-Vari Click Piston (pr)
 U1557 Ultra-Short Shock Rod (pr)
 U1558 Purple Ultra-Short Shock Body (each)
 U1818 Purple Alloy Shock Seal Housing (pr)
 U2143 One Piece Shock Pistons - 4 sets of 3
 U835 Vari Shock Seal Pack (pr)

SHOCK OIL

G030 Pure Silicone Shock Oil - 30w
 G035 Pure Silicone Shock Oil - 35w
 G040 Pure Silicone Shock Oil - 40w
 G045 Pure Silicone Shock Oil - 45w
 G050 Pure Silicone Shock Oil - 50w
 G055 Pure Silicone Shock Oil - 55w
 G060 Pure Silicone Shock Oil - 60w
 G070 Pure Silicone Shock Oil - 70w
 G080 Pure Silicone Shock Oil - 80w
 G100 Pure Silicone Shock Oil - 100w

SPRINGS

U2822 Spring Tuning Set - Pro-Touring (6 prs)
 U2823 Pro-Touring Springs - White 14 lbs
 U2824 Pro-Touring Springs - Blue 16lbs
 U2825 Pro-Touring Springs - Green 18 lbs
 U2826 Pro-Touring Springs - Red 20 lbs
 U2827 Pro-Touring Springs - Yellow 23 lbs
 U2828 Pro-Touring Springs - Purple 27 lbs

TRANSMISSION

U1895 M3x8mm Button Screws & Washers pk4
 U1918 Spare Blades
 U2573 Pro-Diff Screw Set
 U2721 Rear Belt; Black Mod 60t x 3.6mm
 U2761 Diff Shims; 10 x 12
 U3011 Front Belt; 171t x 3.6mm
 U3012 Front Belt; Grey Stock 171t x 3.6mm
 U3013 Rear Belt; Grey Stock 60t x 3.6mm
 U3026 Pivot; Pin & Screw; Alloy CV D/Shaft
 U3123 Alloy Eccentric - M4 (pr)
 U3124 Diff Retaining Post - M4 (pr)
 U3126 CNC Pulley & Fences; 20T - M4LP
 U3138 Alloy Diff Output; Male - M4
 U3139 Alloy Diff Output; Female - M4
 U3140 Diff Washer; ProSpec - M4 (pr)
 U3141 HD Spool Output - M4
 U3160 85T 48DP CNC Spur Gear - M4LP
 U3161 87T 48DP CNC Spur Gear - M4LP
 U3162 89T 48DP CNC Spur Gear - M4LP
 U3163 114T 64DP CNC Spur Gear - M4LP
 U3165 118T 64dp CNC Spur Gear - M4LP
 U3170 Pins & Shims; Axle - M4 4pr
 U3247 70T 48DP CNC Spur Gear - M4LP
 U3248 96T 64dp CNC Spur Gear - M4LP
 U3260 Ti Shock Post - M4 pr
 U3269 90T 64DP CNC Spur Gear - M4LP
 U3270 106T 64DP CNC Spur Gear - M4LP
 U3275 Bone; 7075 Alloy Driveshaft - M4 1pc
 U3400 66T 48DP CNC Spur Gear - M4LP
 U3414 Pinion; Hard Alloy 48dp - 14T
 U3415 Pinion; Hard Alloy 48dp - 15T
 U3416 Pinion; Hard Alloy 48dp - 16T
 U3417 Pinion; Hard Alloy 48dp - 17T
 U3418 Pinion; Hard Alloy 48dp - 18T
 U3419 Pinion; Hard Alloy 48dp - 19T
 U3420 Pinion; Hard Alloy 48dp - 20T
 U3421 Pinion; Hard Alloy 48dp - 21T
 U3422 Pinion; Hard Alloy 48dp - 22T
 U3423 Pinion; Hard Alloy 48dp - 23T
 U3424 Pinion; Hard Alloy 48dp - 24T
 U3425 Pinion; Hard Alloy 48dp - 25T
 U3426 Pinion; Hard Alloy 48dp - 26T
 U3427 Pinion; Hard Alloy 48dp - 27T
 U3428 Pinion; Hard Alloy 48dp - 28T
 U3429 Pinion; Hard Alloy 48dp - 29T
 U3430 Pinion; Hard Alloy 48dp - 30T
 U3431 Pinion; Hard Alloy 48dp - 31T
 U3432 Pinion; Hard Alloy 48dp - 32T
 U3433 Pinion; Hard Alloy 48dp - 33T
 U3434 Pinion; Hard Alloy 48dp - 34T
 U3435 Pinion; Hard Alloy 48dp - 35T
 U3436 Pinion; Hard Alloy 48dp - 36T
 U3437 Pinion; Hard Alloy 48dp - 37T
 U3438 Pinion; Hard Alloy 48dp - 38T
 U3502 Alloy Diff Mount; Rear - M4
 U3504 Alloy Diff Mount; Front - M4
 U3505 Alloy Motor Clamp - M4
 U3507 Diff; Pro Spec Assembly - M4LP
 U3508 CNC Diff Pulley & Fences; 36T - M4LP
 U3509 Spool; Complete Assembly - M4LP
 U3510 CNC Spool Pulley only - M4LP



U3511 Driveshaft HD - M4 pair
 U3518 One way Complete (Option 2 Transmission) - M4LP
 U3519 One way Pulley - M4LP
 U3531 One way Complete (Option 1 Transmission) - M4LP
 U3550 24T 48DP CNC Spur Gear M4LP
 U3563 Layshaft Set - M4-LP
 U3564 Alloy Layshaft Mount - M4LP

TRANSMISSION (RACE ONLY)

U2152 Wheel Hex; pin axle - SST (pk 4)
 U2693 Axle - CV Joint (pr)
 U2694 Cylinder, Screw & Pin - CV Joint (pr)
 U3580 Driveshaft Assy; Plastic - Blade Type - M4-LP Race pr
 U3581 Driveshaft Bone; Plastic with Blade - M4-LP Race pr

BEARINGS & BALLS

G200 ZX1 - Microlube
 H1031 Bearing Blaster Aerosol 500ml
 U1301 Silicone Diff Lube - Pot
 U1411 Ball Bearing - 4 x 8 x 3 Non FL (pr)
 U1439 Ball Bearing - 5 x 9 x 3 Non FL (pr)
 U1954 Pro - Thrust Bearing
 U1957 Moly Axle Grease - Pot
 U2148 Ball Bearing - 5 x 10 x 4 Shielded (pr)
 U2189 Wheel Bearings 8pcs 10x5x4 Shim Set
 U2459 Diff Balls; T/C 2.5mm pk12
 U2574 Ball Bearing - 5 x 9 x 2.5 (pr)
 U2862 Ceramic Bearing - 5x10x4 Shielded (pr)
 U3016 Ball Bearing - 10x15x4 (pr)
 U3017 Ceramic Bearing - 10x15x4 (pr)
 U3019 Ceramic Nitride Diff Balls 2.5mm (pk12)
 U3136 Ball Bearing - 5 x 8 x 2.5 (pr)
 U3386 Ceramic Bearing - 4x8x3 (pr)
 U3520 Ceramic Bearing set - M4

BEARINGS & BALLS (RACE ONLY)

U2542 Diff Balls; 2.5mm Chrome Steel (pk 12)
 U730 Thrust Bearing

SPEED PACKS

CR024 CORE RC - Serrated M4 Steel Wheel Nut pk4
 CR035 CORE RC - Serrated Alloy M4 Nuts; Blue pk 4
 CR036 CORE RC - Serrated Alloy M4 Nuts; Purple pk 4
 CR061 Small Body Clip 1/10 - Silver (8)
 CR062 Small Body Clip 1/10 - Gold (8)
 CR063 Small Body Clip 1/10 - Fluorescent Yellow (8)
 CR064 Small Body Clip 1/10 - Fluorescent Green (8)
 CR065 Small Body Clip 1/10 - Fluorescent Red (8)
 CR066 Small Body Clip 1/10 - Metallic Green (8)
 CR067 Small Body Clip 1/10 - Metallic Red (8)
 CR069 Small Body Clip 1/10 - Metallic Purple (8)
 CR071 Big Body Clip 1/10 - Silver (8)
 CR072 Big Body Clip 1/10 - Gold (8)
 CR073 Big Body Clip 1/10 - Fluorescent Yellow (8)
 CR074 Big Body Clip 1/10 - Fluorescent Green (8)
 CR075 Big Body Clip 1/10 - Fluorescent Red (8)
 CR076 Big Body Clip 1/10 - Metallic Green (8)
 CR077 Big Body Clip 1/10 - Metallic Red (8)
 CR078 Big Body Clip 1/10 - Metallic Blue (8)
 CR079 Big Body Clip 1/10 - Metallic Purple (8)
 CR081 Extra Long Body Clip 1/10 - Silver (6)
 CR082 Extra Long Body Clip 1/10 - Gold (6)
 CR083 Extra Long Body Clip 1/10 - Fluorescent Yellow (6)
 CR084 Extra Long Body Clip 1/10 - Fluorescent Green (6)
 CR085 Extra Long Body Clip 1/10 - Fluorescent Red (6)

SPEED PACKS

CR086 Extra Long Body Clip 1/10 - Metallic Green (6)
 CR087 Extra Long Body Clip 1/10 - Metallic Red (6)
 CR088 Extra Long Body Clip 1/10 - Metallic Blue (6)
 CR089 Extra Long Body Clip 1/10 - Metallic Purple (6)
 U1544 SPEED PACK - Short M3; Cap Hd
 U1547 SPEED PACK - M3 Nuts
 U1548 SPEED PACK - M3 Washers
 U1550 SPEED PACK - Socket Wrenches (pk3)
 U1551 SPEED PACK - E Clips 2x8pcs
 U1552 SPEED PACK - R Clips
 U1606 SPEED PACK - Servo Tape
 U1633 SPEED PACK - Small Pins (pk)
 U1960 SPEED PACK - O Rings; Various
 U2128 SPEED PACK - Grub-Set Screws M3 M4
 U2260 SPEED PACK - M3 Button Hd; 4 to 20
 U2658 Alloy M3x6 Spacer Set; 0.5; 1.2; 3mm - 16pcs
 U2988 M3 Csk Washers - Purple Alloy (pk10)
 U3002 Wheel Spacer Washers (pk10)
 U3021 SPEED PACK - M3x6 Csk Allen Hi-T
 U3022 SPEED PACK - M3x8 Csk Allen Hi-T
 U3023 SPEED PACK - M3x10 Csk Allen Hi-T
 U3024 SPEED PACK - M3x12 Csk Allen Hi-T
 U3131 Alloy Spacers M3x7mm 0.5; 1.2mm (pk18)
 U3168 SPEED PACK - M2.5 Screws pk 10
 U3524 SPEED PACK-M4x8 Csk Hi Tensile (4)
 U3572 SPEED PACK - M3x14 Grub Srew pk4

SPEED PACKS (RACE ONLY)

U2184 SPEED PACK - DiscSprings+DrivePins

SPEED SECRET - OPTION PARTS

CR011 CORE Ti Screws - M3x8 Button Head pk4
 CR013 CORE Ti Screws - M3x16 Button Head pk4
 CR017 CORE Ti Screws - M3x12 Csk Head pk4
 CR018 CORE Ti Ball Studs - Ultra Short pk4
 CR019 CORE Ti Ball Studs - Short pk4
 CR043 CORE RC - Silver X-Weights 16pcs
 CR058 CORE RC - Black X-Weights 16pcs
 CR110 Alloy Servo Arm; Futaba Purple
 CR111 Alloy Servo Arm; KD/Sarwa Purple
 CR112 Alloy Servo Arm; Futaba Blue
 CR113 Alloy Servo Arm; KD/Sarwa Blue
 H1026 Ride Height Gauge; Purple Alloy; 0-10mm
 H1027 Droop Gauge Set; Purple Alloy - Touring
 S5008 Schumacher BANNER 6x3ft
 TM424641 CVD Rebuild Kit; TIR - M4
 TM42643 CVD; TIR; Rear - M4 pr
 TM428645 CVD; TIR; Front - M4 pr
 TM43564 TIR Spool Kit; Std Bone - M4 pr
 TM435642 TIR Spool Kit; Stealth Bone - M4 pr
 TM43964 TIR Spool Outputs; Plastic pr
 TM43998 TIR Spool Sleeves pr
 TM48565F TIR Titanium Screw Set M4
 U1572 Titanium Turnbuckle; purple - 39mm (pr)
 U1576 Titanium Pivot Pin; purple - 25mm (pr)
 U1905 Titanium Turnbuckle; purple - 35mm (pr)
 U2053 Titanium Turnbuckle; purple - 25mm (pr)
 U2075 Camber & Ride Height Gauges - C/C
 U2096 Aerial Mount; Purple Chrome - Universal
 U2100 Set Up Wheels; Camber&Toe In-SST
 U2135 M4 Nylon Wheel Nut - Purple Alloy (pk4)
 U2187 M3 Nylon Nut - Purple Alloy (pk8)
 U2251 Kwik Clips; 1/8x1.0 & 2.0mm
 U2298 Schumacher Pit Dude Car Stand
 U2566 Titanium Turnbuckle - 45mm (pr)
 U2719 Titanium Pivot Pin; purple - 38mm pr
 U2741 Alloy Rear Hub Carriers; 1deg - M4
 U2810 M4 Nylon Wheel Nut - Red Alloy (pk4)
 U2811 M4 Nylon Wheel Nut - Blue Alloy (pk4)
 U2812 M4 Nylon Wheel Nut - Black Alloy (pk4)



U2813 M4 Nylon Wheel Nut - Gold Alloy (pk4)
 U2844 Hub & One Ways; (Option 2 Transmission) - M4LP
 U2845 Output; Heavy Duty One Way - M12 1pc
 U3132 Kwik Clips 0.25 & 0.5mm (pk8)
 U3143 Titanium Pivot Pin Set - M4 (8pcs)
 U3169 Titanium Pro Pivot Pin - 55mm (pr)
 U3221 Alloy Wheel Hex; Slim Solid - M3 (pr)
 U3514 CF LiPo Strap - M4
 U3516 Ti Turnbuckle Set - M4 7pcs
 U3517 Alloy Block Susp Half Set - M4
 U3518 One Way; Complete (Option 2 Transmission) - M4LP
 U3519 CNC One Way Pulley - M4LP
 U3525 Alloy Wheel Hex - M4 (pr)
 U3531 One Way; Complete (Option 1 Transmission) M4LP
 U3532 Hub & One Ways; (Option 1 Transmission) M4LP
 U3570 Alloy Wheel Hex; Slim+O ring - M4-LP (pr)
 U3582 Precision Balance Pivot Set

TEAM CLOTHING

G331L T Blue - Large
 G331M T Blue - Medium
 G331S T Blue - Small Man
 G331XL T Blue - X-Large
 G331XXL T Blue - XX-Large
 G333L Polo - Large
 G333M Polo - Medium
 G333S Polo - Small Man
 G333XL Polo X-Large
 G333XXL Polo - XX-Large
 G333XXX Polo - XXX-Large
 G334 Cap - Black; Medium 58cm
 G335 Cap - Black; Large 62cm
 G336L Sweat - Large
 G336M Sweat - Medium
 G336S Sweat - Small
 G336XL Sweat - X-Large
 G336XXL Sweat - XX-Large

ELECTRONICS

CR116 CORE Servo; Low Profile 8.4Kg Ti Gears 2x88 0.11secs
 CR117 Alloy Servo Arm; Futaba Black
 CR118 Alloy Servo Arm; KD/Sarwa Black
 G837 Mini Temp Gun - 420F 230C
 G848 Tyre Warmers 1/10 Tig 7.2-12v
 GM458 Power Supply 5-15v 0-15Amp
 GM459 Power Supply 5-15v 0-20Amp
 GM460 Power Supply 1.2v 25 Amp
 GM7952 Servo; Digital 80g MG-BB 0.08s 19.9Wg
 GM7953 Servo; Digital 807 MG-BB 0.06s 15.3Kg
 GM7954 Servo; Digital 808 MG-BB 0.04s 8.8Wg
 GM91539M Power Cap 470uF 16v Anti Glitch
 GM94000 XG-6i 2.4G Sport Wheel Radio Tx-Rx
 GM94001 XG-6i 2.4G Race Wheel Radio Tx-Rx
 GM94010.10 XG-6i 2.4G Micro Rx
 GM968.50 GM Wet Protect - Aerosol
 NR97027 Cosmo 4 channel sports receiver 27 MHz
 NR97270 Gemini 3 channel receiver 27 MHz
 NR97400 Gemini 3 channel receiver 40 MHz



CHARGERS

CR027 Power Supply: UDC 20 - 6A UK Plug UDC20
 CR028 Power Supply Cable: USA
 CR029 Power Supply Cable: Europe
 CR031 UDC Charger Connector Set
 CR056 Balance Charge Lead: JST to 2mm Male 7.4V
 CR114 UDC 30 Balance Adaptor Set JST-301 to JST-EH 2-65
 CR135 Temperature Probe - UDC 30
 GB66 i-Charger 1068 - 10A Ch. 1A Dis All types
 GB67 P350 Power Supply: 23 Amps 15volt
 GM3075:GB25 BSI Conv Plug: EU2-UK3 2.5A
 GM6464 Ultramat 14 Mains/12v Charger
 NR91361 Gravity Stickpack Discharger
 NR91140 Power Supply 13.8V / 10A
 NR91150 Power Supply 13.8V / 14A
 GM6443 Ultra Duo Plus 40 Charge System
 GM6460 Power Supply 12v 25 Amp

SPEEDCONTROLS (BRUSHED MOTORS)

NR90830 Razor Evolution
 NR93000 Force Mini Reverse
 NR93010 Hawk Reverse
 NR93060 Hawk Power Reverse
 NR93250 Magnum Reverse
 NR93370 Magnum Power Reverse
 NR93471 International Power

BRUSHLESS MOTORS

GM97268.1 GM Rotor: 12.4mm EFRA Stock Spec
 GM97279 GM Pro 9T Delta Wind BL Motor
 GM97286 GM Pro 6T Delta Wind BL Motor
 GM97286.3 GM Sintered Rotor: 12.5mm
 GM97286.4 GM Sensor Lead 180mm
 GM97287 GM Pro 7T Delta Wind
 GM97288 GM Pro 8T Delta Wind BL Motor
 GM97290 GM Pro Stock 10.5T - Star Wind
 GM97294 GM Pro Stock 13.5T - Star Wind
 GM97296 GM Pro 6.5T - Star Wind
 NR90250 Storm Evo: Micro 370 BL Modified
 NR90510 Dragon BL Sport Modified 9.5T
 NR90520 Dragon BL Sport Modified 10.5T
 NR90530 Dragon BL Sport Modified 13.5T
 NR90540 Dragon BL Sport Modified 15.5T
 NR90647 PURE Evolution BL - 9.5T
 NR90652 PURE Evolution BL - 8.5T
 NR90662 PURE Evolution BL - 7.5T
 NR90672 PURE Evolution BL - 6.5T
 NR90682 PURE Evolution BL - 5.5T
 NR90687 PURE Evolution BL - 5.0T
 NR90692 PURE Evolution BL - 4.5T
 NR90702 PURE Evolution BL - 4.0T
 NR90712 PURE Evolution BL - 3.5T
 NR90722 PURE Evolution BL - 3.0T
 NR91831 PURE Evo StockSpec 10.5T
 NR91841 PURE Evo StockSpec 13.5T
 SP13810SV3 Speed Passion V3.0 Comp BL Motor: 10.5T
 SP13813SV3 Speed Passion V3.0 Comp BL Motor: 13.5T
 SP13817SV3 Speed Passion V3.0 Comp BL Motor: 17.5T
 SP13825 Speed Passion CV2.0 Comp BL Motor: 2.5T
 SP13835 Speed Passion CV2.0 Comp BL Motor: 3.5T
 SP13835V3 Speed Passion V3.0 Comp BL Motor: 3.5T
 SP13840V3 Speed Passion V3.0 Comp BL Motor: 4.0T
 SP13845V3 Speed Passion V3.0 Comp BL Motor: 4.5T
 SP13855V3 Speed Passion V3.0 Comp BL Motor: 5.5T
 SP13865V3 Speed Passion V3.0 Comp BL Motor: 6.5T
 SP13875V3 Speed Passion V3.0 Comp BL Motor: 7.5T
 SP13885V3 Speed Passion V3.0 Comp BL Motor: 8.5T

BRUSHLESS ACCESSORIES

CR133 Core Sensor Lead: 80mm
 CR134 Core Sensor Lead: 180mm
 GM2894.15 GM Lead: Genius ESC to Rx
 GM2894.4 GM Sensor Lead: 10cm
 GM2894.8 GM Sensor Lead: 20cm
 GM2894LGM Fan 30x30mm

GM7168.6 GM Genius USB Programming Set
 NR90607 Storm BL - Ceramic Ball Bearing R2
 NR90608 Storm BL - Ceramic Ball Bearing R166
 NR90610 Storm BL - Comp Sintered Rotor
 NR90611 Storm BL - Sintered Rotor 12.5mm
 NR90612 Storm BL - Sintered Rotor 13mm
 NR90613 Storm BL - Sintered Rotor 12.3mm
 NR90616 Storm Evo Xtreme cooling front cover
 NR90617 Storm Evo Xtreme cool fr cover: thin
 NR90618 Storm Evo Xtreme cooling backplate
 NR90619 Storm Evo BL Small parts set

NR90630 PURE MR104 ABECS BB (pr)
 NR90631 PURE MR104 Ceramic BB (pr)
 NR90632 PURE Small Parts Set
 NR90633 PURE Sensor Assembly
 NR90634 PURE Aluminium Front Housing
 NR90635 PURE Evo Light Alloy Front Hsg
 NR90636 PURE Evo Alloy End Cover
 NR90640 PURE Sintered Rotor - 12.0mm
 NR90641 PURE Sintered Rotor - 12.5mm
 NR90642 PURE Sintered Rotor - 13.0mm
 NR92505 Powerwire Set Matrix
 NR92506 Matrix Evo 3.3mm Powerwire Set
 NR92510 Sensorwire for BL 200mm - std.
 NR92511 Cooling Fan: Low Profile

NR92520 Sensorwire for BL 100mm - short
 NR925307 NOSRAM Sensor Wire HighFlex 70mm
 NR925310 NOSRAM Sensor Wire HighFlex 100mm
 NR925315 NOSRAM Sensor Wire HighFlex 150mm
 NR925320 NOSRAM Sensor Wire HighFlex 200mm
 NR92590 Xtreme Cooling Fan
 NR92600 Brushless Ultimate Accessory Kit
 NR92820 Ultimate Accessory Set
 NR92825 Replacement Wire Set Razor
 NR93830 Razor Evo Ultimate Accessory Set

SP13835ER1 SP Rotor 3.5T: Euro R Hi Power 12.5mm
 SP13835ER2 SP Rotor 3.5T: Euro S Hi Speed & Runtime 12mm
 SP13845ER1 SP Rotor 4.5T: Euro RS Power Band 13mm
 SP162801 SP - Sensor Cable 180mm
 SP162802 SP - Sensor Cable 90mm
 SP162810 SP - HiPower Connector: 3pcs set
 SP162820 SP - HiPower Connector: 3pcs set
 SP1E801 SP Endbell: Fixed Timing V3.0

BRUSHLESS ACCESSORIES

SPAMSSC1.5M SP - Super Capacitor 1.5 Farads 7.4 Volt rated
 SPAMSSC3M SP - Super Capacitor 3 Farads 6 Volt rated
 SPBA01 SP Brushless Analyser - ESC & Motors
 SPCBB183238 SP - Ceramic Motor Bearing
 SPLIPOAS01 SP - Connector: 7.2v Female - Golden Batteries
 SPRA13835 SP Rotor 3.5T: Standard 13.5mm
 SPRA13845 SP Rotor 4.5T: Standard 12.5mm
 SPRB13835 SP Rotor 3.5T: Hi RPM 13mm
 SPRB13845 SP Rotor 4.5T: Hi RPM 12mm

BRUSHLESS ESC & MOTOR COMBO

NR90581 BL Combo Evil/Dragon 15.5T
 NR90582 BL Combo Evil/Dragon 13.5T
 NR90583 BL Combo Evil/Dragon 10.5T
 NR90584 BL Combo Evil/Dragon 9.5T
 NR90760 BL Combo Matrix Power + PURE 8.5
 NR90761 BL Combo Matrix Power + PURE 7.5
 NR90762 BL Combo Matrix Power + PURE 6.5
 NR90763 BL Combo Matrix Power + PURE 5.5
 NR90764 BL Combo Matrix Power + PURE 4.5
 NR90765 BL Combo Matrix Power + PURE 4.0
 NR90766 BL Combo Matrix Power + PURE 3.5
 NR90767 BL Combo Matrix Power + PURE 3.0
 NR90768 BL Combo Matrix Power + PURE 5.0
 NR90779 BL Combo PEARL Evo + PURE 9.5T
 NR90783 BL Combo Matrix Evo/Storm 10.5T
 NR90784 BL Combo Matrix Evo/Storm 9.5T
 SPCOM105 SP Combo - Pro-Stock 10.5T + LPF ESC
 SPCOM135 SP Combo - Stock 13.5T + LPF ESC
 SPCOM65 SP Combo - Modified 6.5T + LPF ESC

BRUSHLESS SPEEDCONTROLS

GM7164 GM Genius 90 BL ESC 90 Amp
 GM7168 GM Genius 120 BL ESC 120 Amp
 NR90100 Matrix Brushless Reverse
 NR90150 Matrix Power Brushless Reverse
 NR90400 Evil Brushless Reverse
 NR90450 Evil Brushless Power Reverse
 NR90710 Matrix Evolution SpecRacing BL
 NR90900 PEARL Evolution BL Speedo
 NR90950 PEARL Evolution ITC BL Speedo
 SPEX138802 SP Exige 2 ESC - 4600KV 7.5T 7.4v Limit
 SPEX198802B Speed Passion GT V2.0 ESC - Blue
 SPEX198802LPB Speed Passion LPF V2.0 ESC - Blue
 SPEX198802LPF Speed Passion LPF V2.0 ESC - Carbon Look
 SPEX198802LPS Speed Passion LPF V2.0 ESC - Silver
 SPEX198802PRO Speed Passion GT V2.0 ESC - Carbon Look
 SPEX198802S Speed Passion GT V2.0 ESC - Silver

BATTERIES

CR004 CORE RC - 5000mAh 7.4v LiPo
 CR034 CORE RC - 3250mAh 7.4v LiPo
 CR119 Heatshrink 1.5mm dia Black - 20pcs
 CR120 Heatshrink 2.0mm dia Black - 20pcs
 CR121 Heatshrink 3.0mm dia Black - 20pcs
 CR122 Heatshrink 4.0mm dia Black - 20pcs
 CR123 Heatshrink 5.0mm dia Black - 20pcs
 CR124 Heatshrink 6.0mm dia Black - 20pcs
 CR125 Heatshrink 6.0mm dia Red - 20pcs
 CR126 Heatshrink 6.0mm dia Blue - 20pcs
 CR127 Heatshrink 8.0mm dia Black - 12pcs
 CR128 Heatshrink 10.0mm dia Black - 12pcs
 CR129 Heatshrink 12.0mm dia Black - 12pcs
 CR130 Heatshrink 15.0mm dia Black - 12pcs



GM98987 LiPo V-MAXX 35C 5000/7.4V Stick 175 Amp Cont

GM98988 LiPo V-MAXX 35C 4200/7.4V Saddle
 GM98994 LiPo V-MAXX 30C 4200/7.4V Saddle
 NR9500 LiPo RX Regulator 6V / 5A
 NR95010 Heavy Duty BEC 6V/10A LiPo RX Regulator
 NR95805 NOSRAM LiPo Hardcase balancing adapter
 NR95810 NOSRAM VTEC silver battery bars
 NR99100 Sport Pack 1600
 NR99102 Sport Pack 1800
 NR99105 Sport Pack 2200
 NR99110 Power Pack 3000 NiMH
 NR99113 Power Pack 3300 NiMH
 NR99116 Power Pack 3600 NiMH
 NR99118 Power Pack 4000 NiMH
 NR99120 Power Pack 4200 NiMH
 NR99124 Power Pack 4600 NiMH
 NR99130 VTEC AAA-1000UC Micro NiMH
 NR99140 Micro RX-Pack 700mAh - Hump
 NR99150 Micro RX-Pack 1100mAh - Hump
 NR99155 Micro RX-Pack 1100mAh - Straight
 NR99161 P-Max VTEC 1600 RX-Pack Hump
 NR99166 P-Max VTEC 1600 RX-Pack Straight
 NR99170 VTEC AA-2700UC Mignon NiMH
 NR99160 VTEC P-max 1600 micro paxx hump 7.2V Race
 NR991630 VTEC P-max 1600 micro paxx stick 7.2V Race
 NR99903 VTEC LiPo 351P 480 - 11.1V / 25C
 NR99913 VTEC LiPo 351P 850 - 11.1V / 25C
 NR99933 VTEC LiPo 351P 1600 - 11.1V / 25C
 NR99962 VTEC LiPo 251P 1800 - 7.4V / 25C
 NR99963 LiPo 1800 Xtreme Race 7.4V 28C - Hard Case
 NR99968 VTEC LiPo 252P 5300 - 7.4V / 25C
 NR99969 VTEC LiPo 5300 Xtreme Race - 7.4V / 28C - Hard Case
 NR99971 NOSRAM LiPo 5300 Xtreme Hardcase - 40C - 7.4V BRCA EFRA
 NR99972 VTEC LiPo Rx - Pack AAA-Hump - 7.4V
 NR99973 VTEC LiPo Rx - Pack 2/3 A straight 2300 - 7.4V
 NR99974 VTEC LiPo Rx - Pack 2/3 A hump 2200 - 7.4V
 NR99980 VTEC LiPo 252P 8000 - 7.4V / 25C
 NR99981 VTEC LiPo Tx-Pack Futaba/Sanwa 3000 11.1V
 NR99984 VTEC LiPo Tx-Pack RD 2700 11.1V
 SLR38035 SP LiPo Hardcase - 3800mAh 14.8v 30C
 SLR4025H SP LiPo Hardcase - 4000mAh 7.4v 25C
 SLR423H5 SP LiPo Saddle Pack - 4200mAh 7.4v 30C
 SLR5303H SP LiPo Hardcase - 5300mAh 7.4v 30C

ACCESSORIES

CR001 CORE RC Motor & Battery Case
 CR005 CORE RC Battery Tape - Black
 CR006 CORE RC Battery Tape - Blue
 CR007 CORE RC Silicone Wire 12g - Red/Black 2x50cm
 CR008 CORE RC RED Connector with 2x4mm Tubes
 CR009 CORE RC RED Connector with 2x4mm Males
 CR033 CORE RC - Safe Charge Pouch 18x22cm
 CR037 CORE RC - Battery Tape - Purple
 CR050 CORE RC Silicone Wire 12g - Red 1 Metre
 CR051 CORE RC Silicone Wire 12g - Black 1 Metre
 CR052 CORE RC Silicone Wire 12g - Blue 1 Metre
 CR053 CORE RC Silicone Wire 12g - Red 50 Metre Reel
 CR054 CORE RC Silicone Wire 12g - Black 50 Metre Reel

CORE-RC.COM



Following on from the hugely successful UDC20 this is a rapid charger with high performance microprocessor and specialized operating software for multifunctional operation.

Operating voltage range: DC 11v - 18v
 AC to DC adapter (DC 11v-18v/5A)
 Circuit Power: Max charge power 50W
 Charge current range: 0.1-5A
 Discharge current range: 0.1-1A
 Current drain for balancing Li-po: 300mA/cell
 NiCad/NiMH battery cell count: 1-15cells
 Li-ion/Polymer cell count: 1-6 series
 PD battery voltage: 2v-30v
 Weight: 245g
 Dimensions: 137.2x80.6x39mm
 Lead Acid: 2v - 30v

- Internal Independent Lithium Battery Balancer
- Balancing individual cells battery discharging
- Adaptable to various types of lithium battery
- The UDC30 is adaptable to various types of Lithium batteries, including LiPo, Li-Ion and the new Life battery.
- Fast and Storage mode of lithium battery
- Large range of safety features to prevent overcharge of battery.
- Huge range of leads included.
- Cool blue backlit display.
- Separate 240/0v Power supply available (CR105)

CR104
UDC30 Universal Balance Charger

CR105
Power Supply UDC 30 - UK Plug



CR005 - Battery Strapping Tape - Black
 CR006 - Battery Strapping Tape - Blue
 CR007 - Battery Strapping Tape - Purple



CR099 - Core Safe Charge Pouch Small 18x32cm
 CR091 - Core Safe Charge Pouch Large 27x30cm



CR001 - CORE RC Sil Wire 12g Red/Blk
 CR050 - CORE RC Sil Wire 12g-1m Red
 CR051 - CORE RC Sil Wire 12g-1m Black
 CR052 - CORE RC Sil Wire 12g-1m Blue



CR100 - Shock Shaft Pliers - Purple
 CR101 - Shock Shaft Pliers - Black



Core Servo:
 Low Profile 8.4Fg
 Titanium Metal Gear
 2 x Ball Bearings
 0.12sec/10deg at 6.0v
 Great servo for competition touring cars.
 Weighs only 95 grams.

CR116 - CORE Servo Low Pro Digital



CR102 - Magnetic Parts Tray - Purple
 CR103 - Magnetic Parts Tray - Black