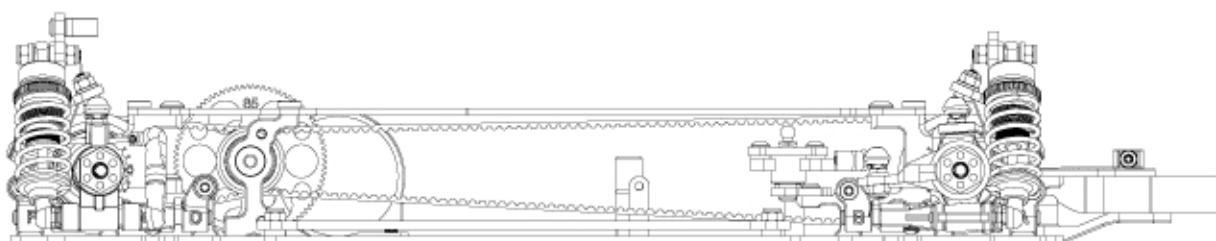
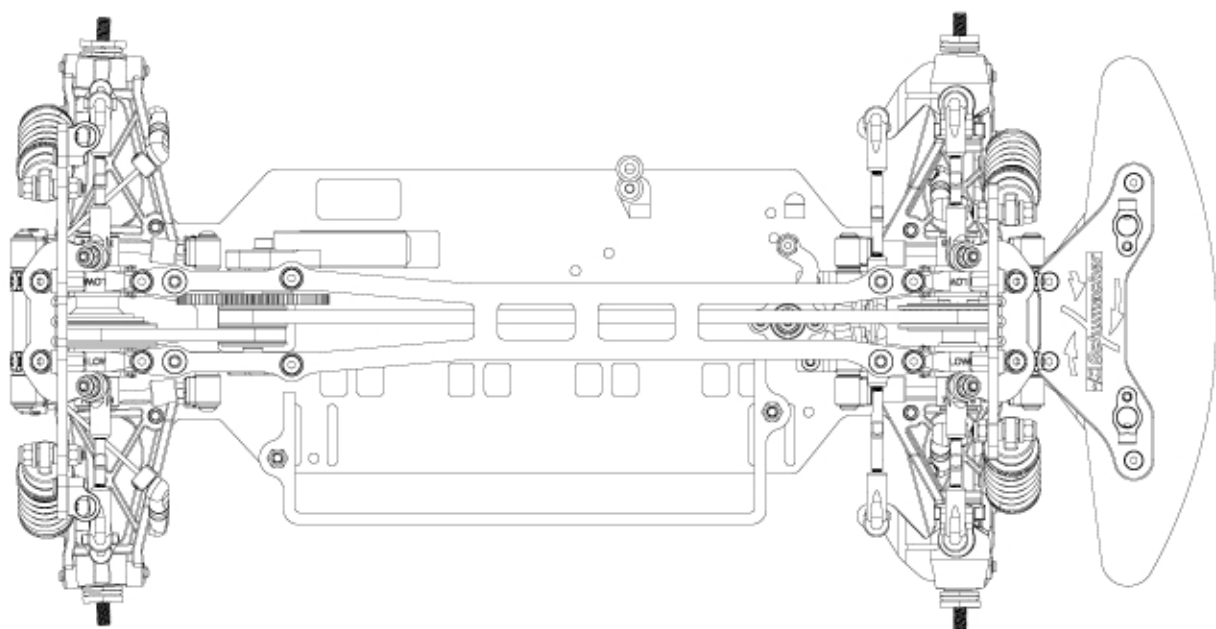


Mi401

Professional 1/10th Scale Touring Car

Instruction Manual



Schumacher Racing
71-73 Tenter Road
Moulton Park
Northampton
NN3 6AX
U.K
www.racing-cars.com

Additional Items Required

Transmitter and Receiver (including batteries for tx)

CR151
CODE 2.4G 2 Stick 3Ch Tx+Rx
CR152
CODE 2.4G 2 Stick 3Ch Receiver ONLY



Servo



Electronic Speed Control



Li-Po Battery



Motor



Pinion Gear

Battery Charger



Bodyshell



Paint



Shock Oil



C4450
CS Superglue 20g



Wheels & Tyres

Tools

U2818 Schumacher Body Reamer



5.5 A/F Combination Wrench



Long nose Pliers



HW010 Wiha Precision
Circlip Pliers



Curved Utility Scissors



U2789 Hex Driver - 1.5mm
U2790 Hex Driver - 2.0mm
U2791 Hex Driver - 2.5mm
U2792 Hex Driver - 3.0mm



U2795 M3 Nut Driver
U2796 M4 Nut Driver



ED190009 Turnbuckle Wrench 4mm



U3107 - Solder

Soldering Iron

Mi40X

Schumacher Racing stocks and distributes the following manufacturers products and full product listings are available on our website at www.racing-cars.com.

PLEASE NOTE THAT SOME OF THE PRODUCT RANGES BELOW ARE ONLY AVAILABLE IN THE UNITED KINGDOM.



TEAM SOREX



CORE-RC.COM



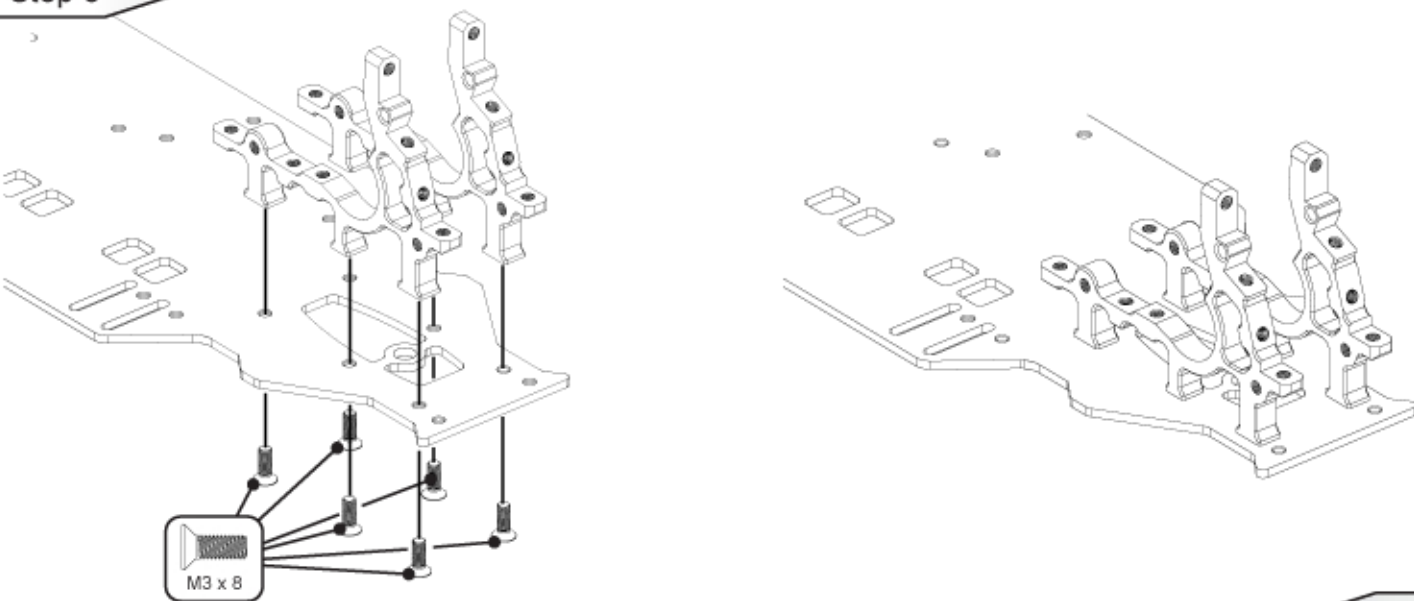
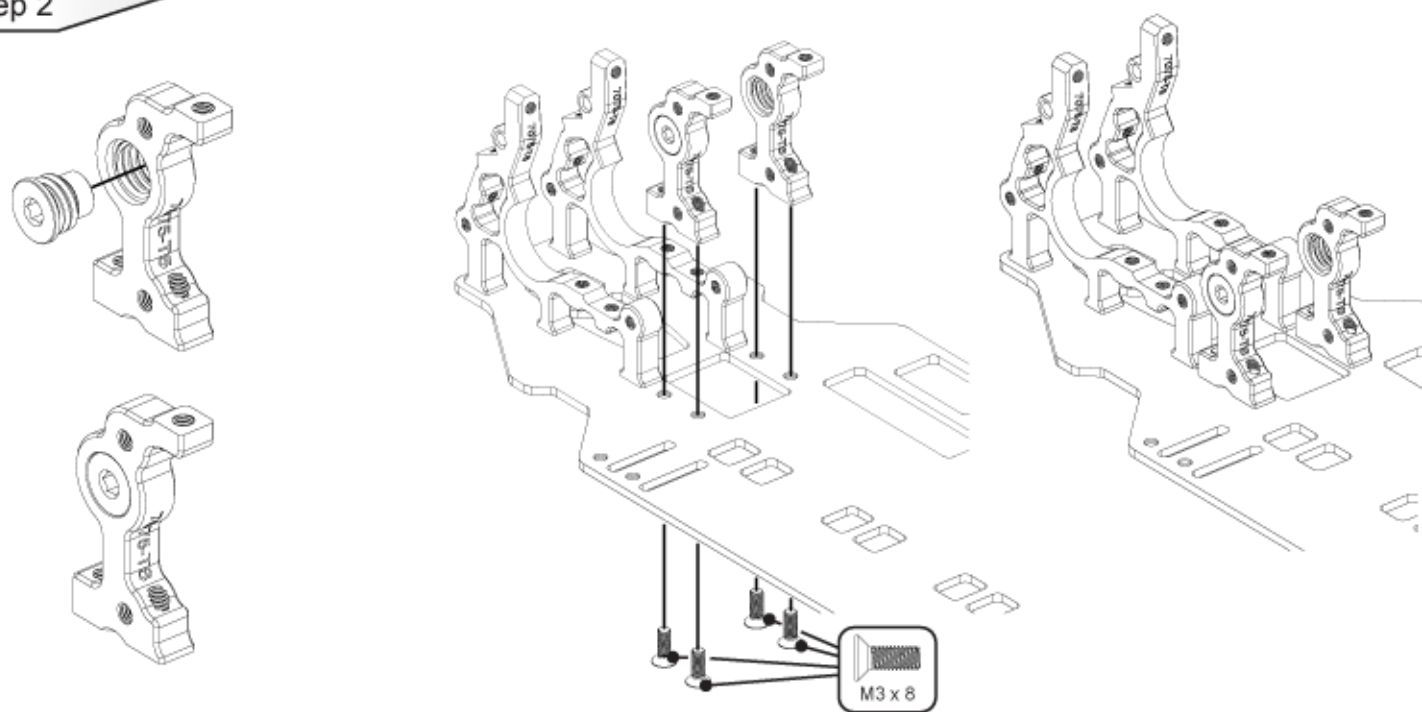
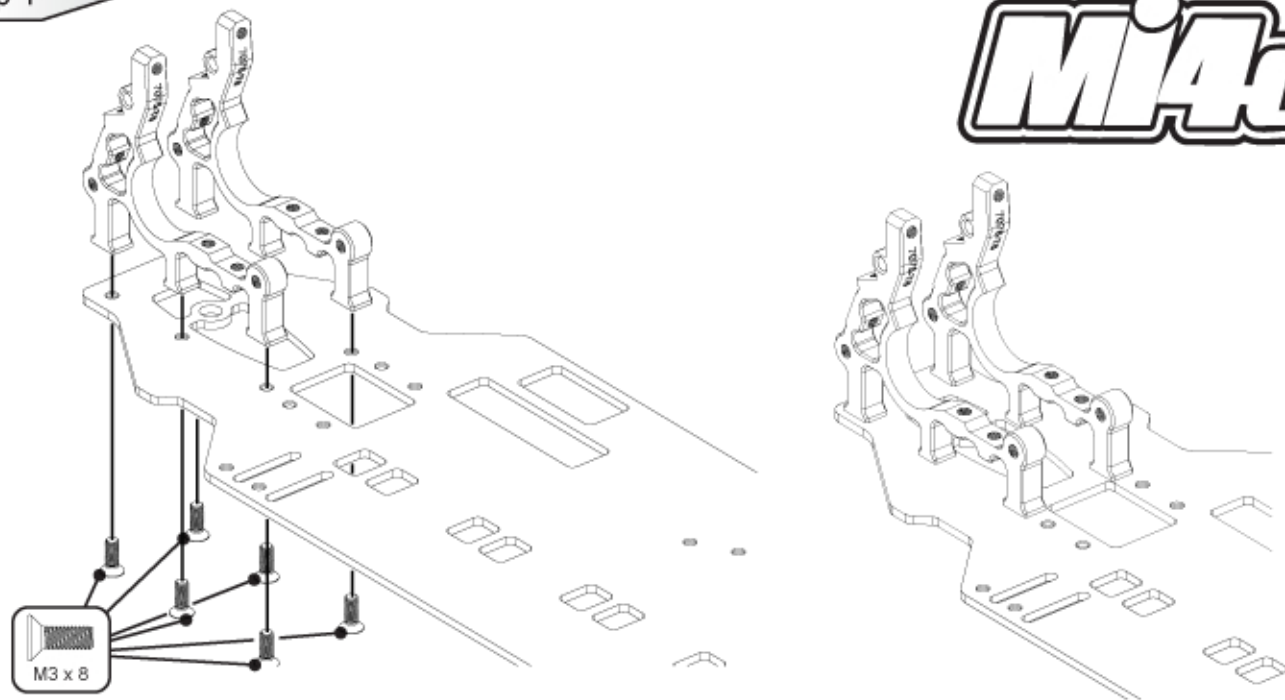
EastCoast BodiesTune

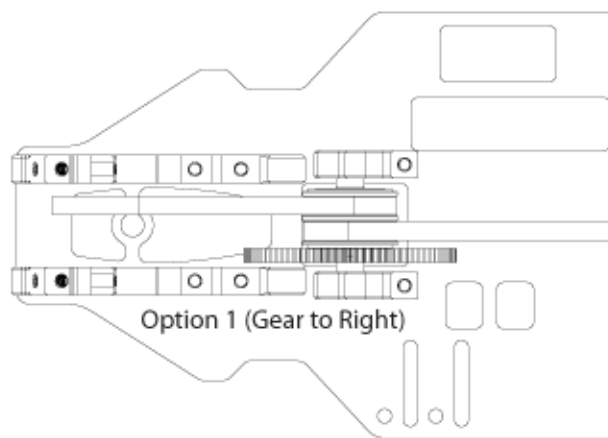
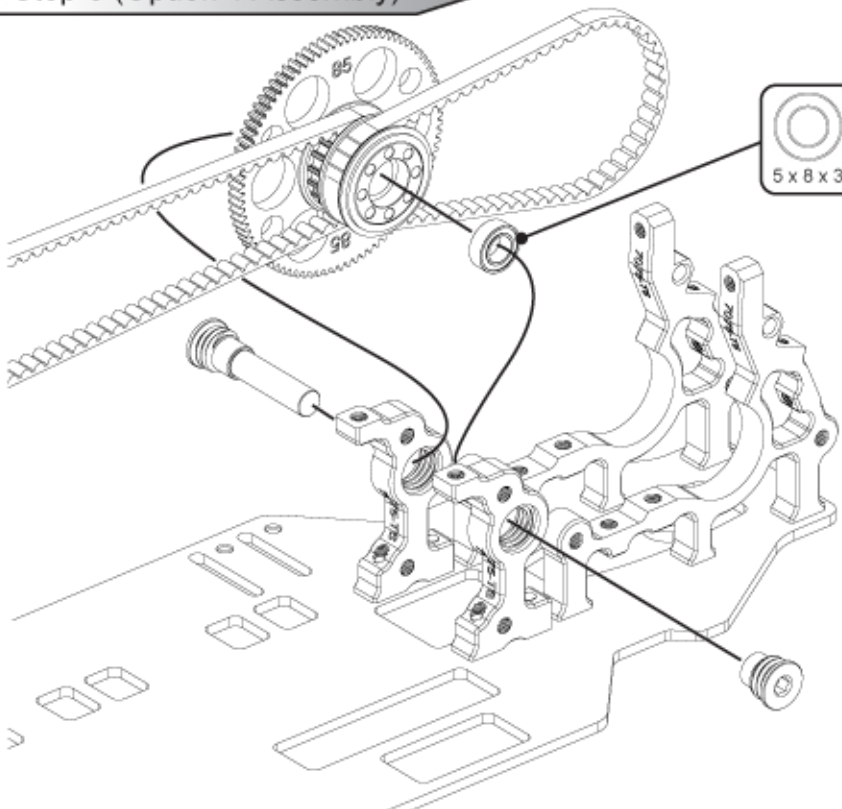
RHEINARD R33D



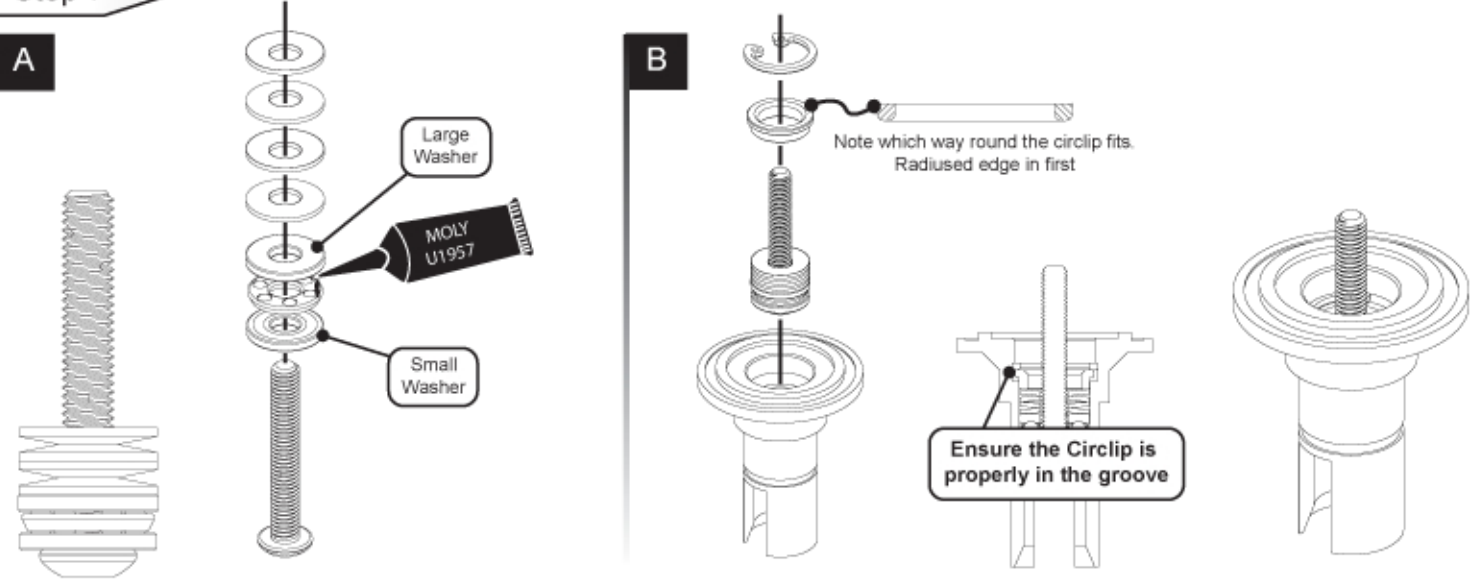
IMPORTANT SAFETY NOTES

- This product is not suitable for children under the age of 14, without the direct supervision of an adult.
- Select an area for assembly that is away from the reach of small children. The parts in this kit are small and can be swallowed by children causing choking and possible internal injuries.
- Exercise care when using hand tools and sharp instruments during assembly.
- Carefully read all manufacturers warnings and cautions for any additional parts used in the construction.
- In line with our policy of continuous development the exact details of the kit may vary.

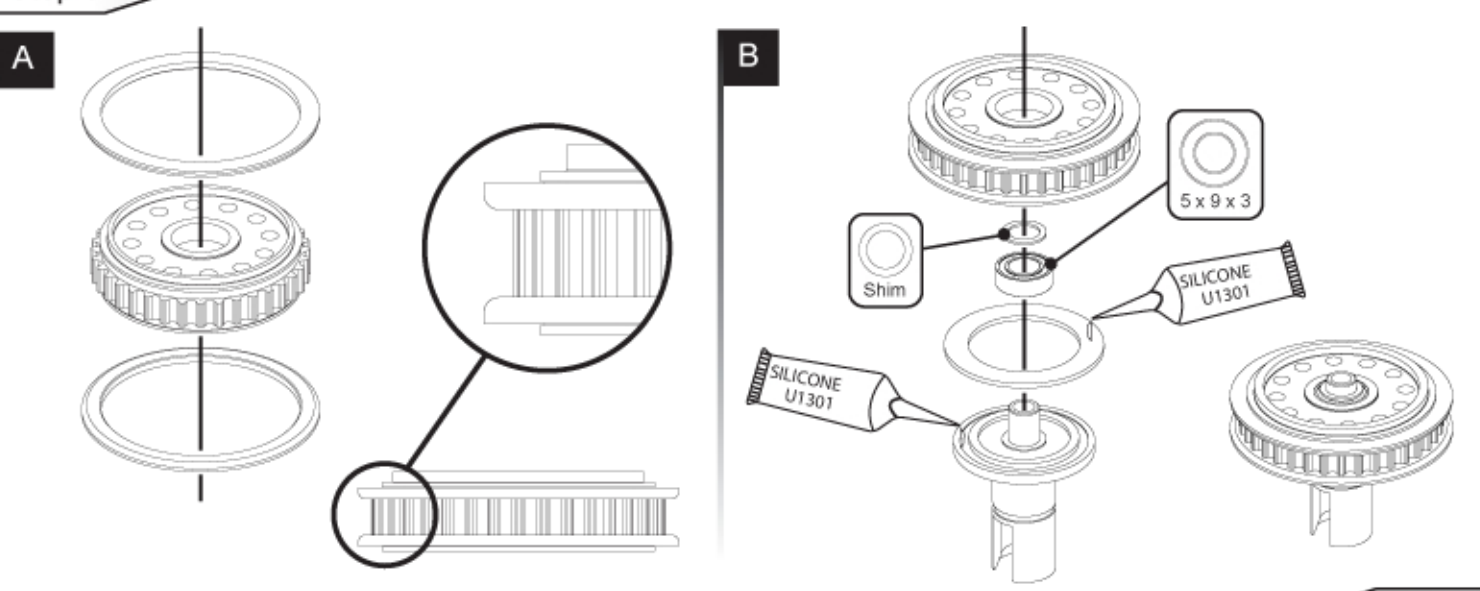




Step 7

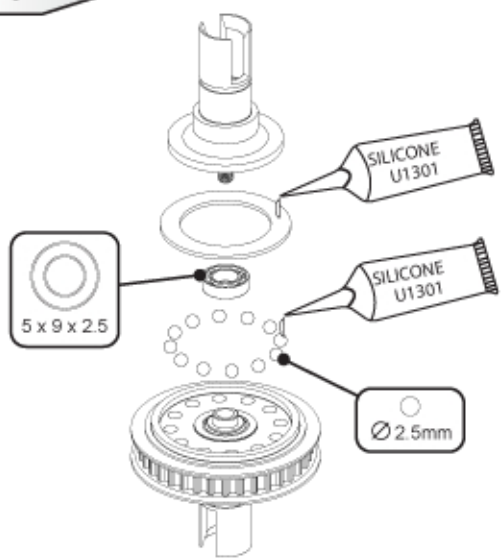


Step 8

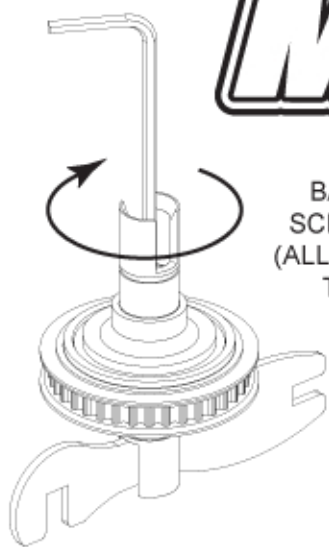




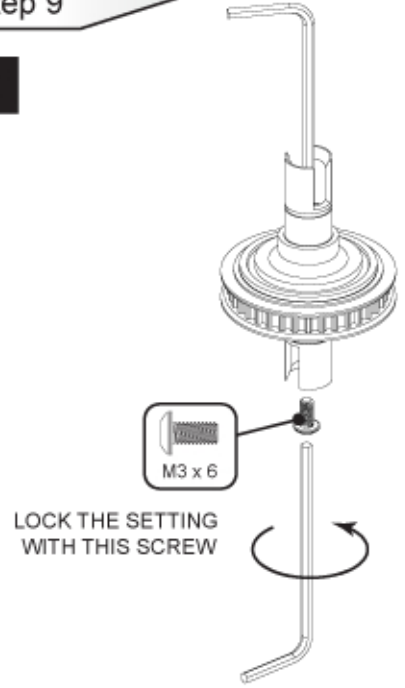
A



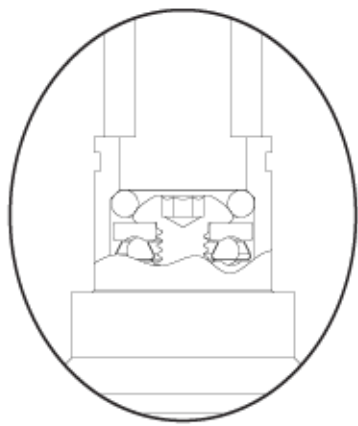
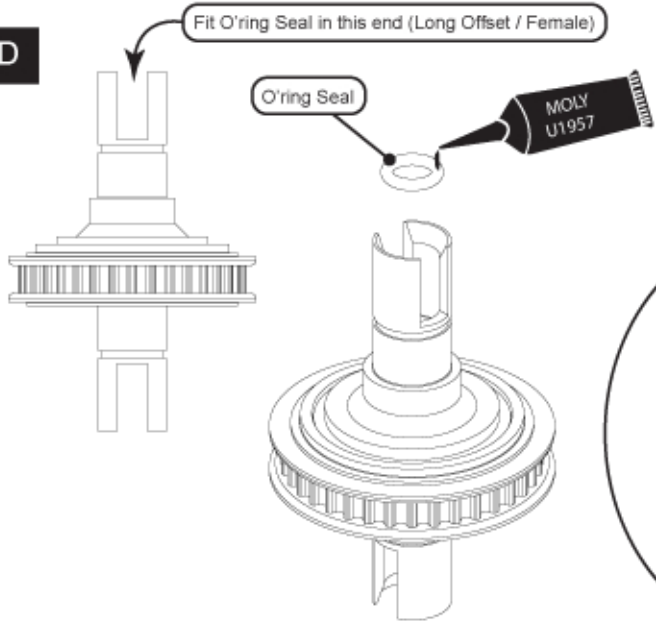
B



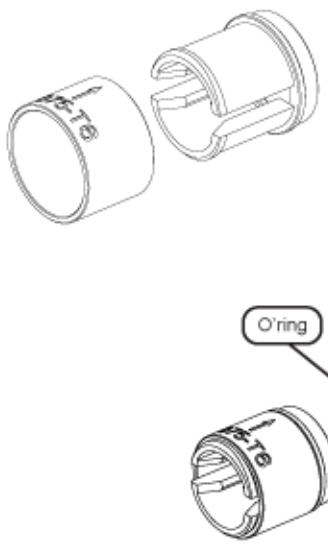
C



D

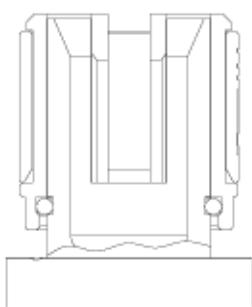
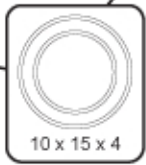
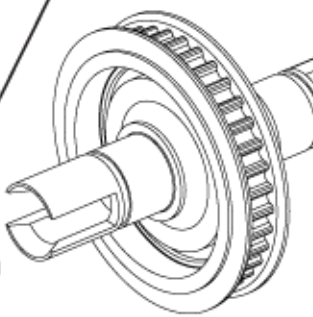


A



B

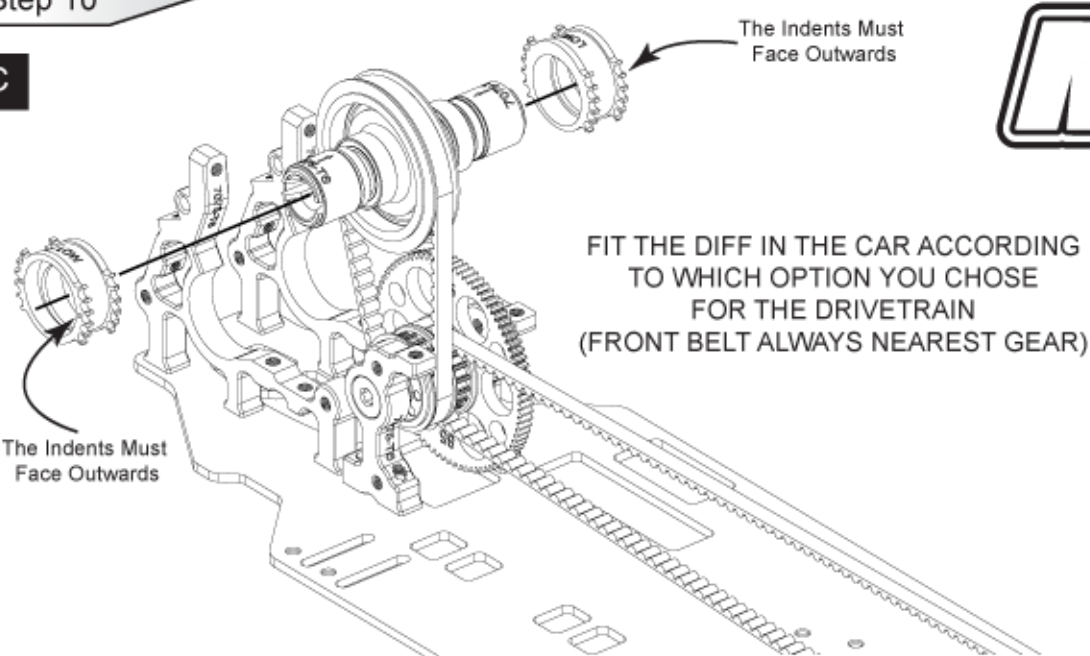
Fit Shims to Adjust Endfloat of Diff in Car (Optional)



Step 10

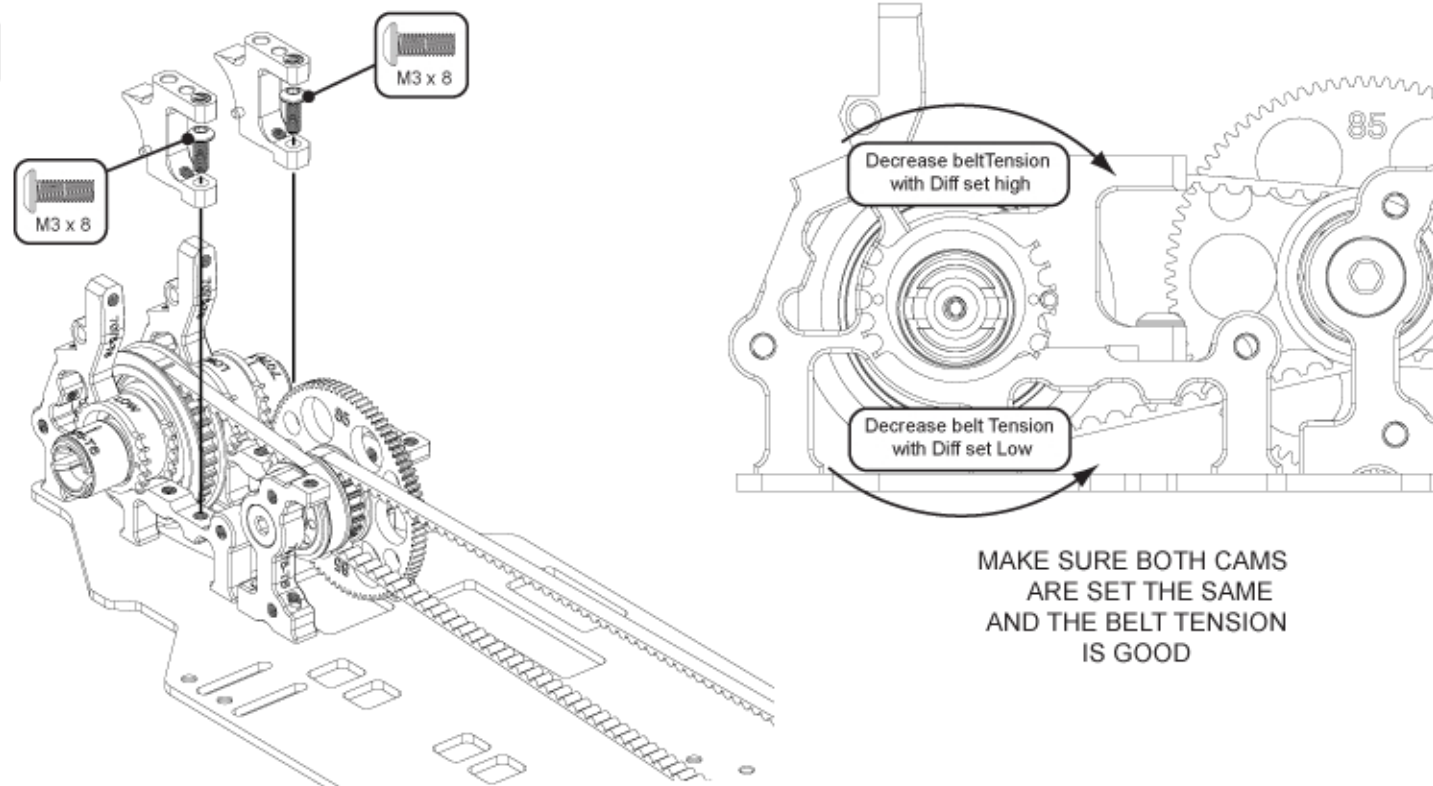


C

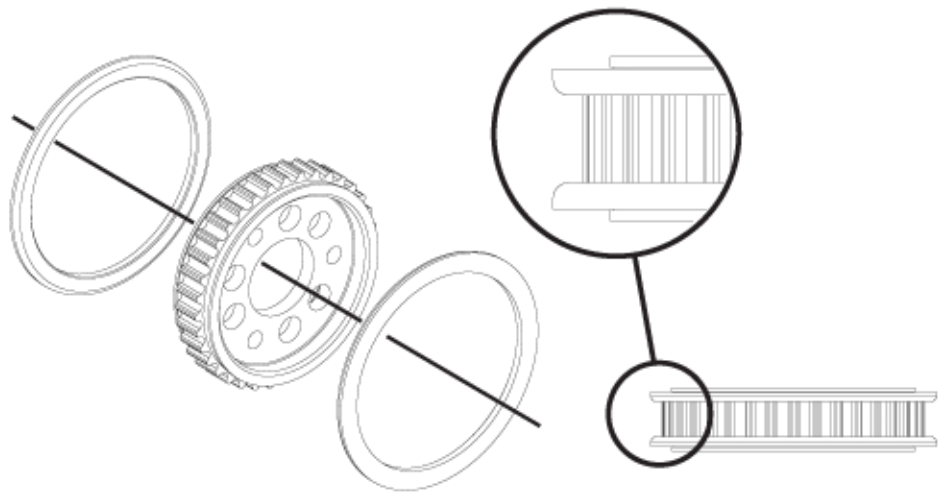


Step 10

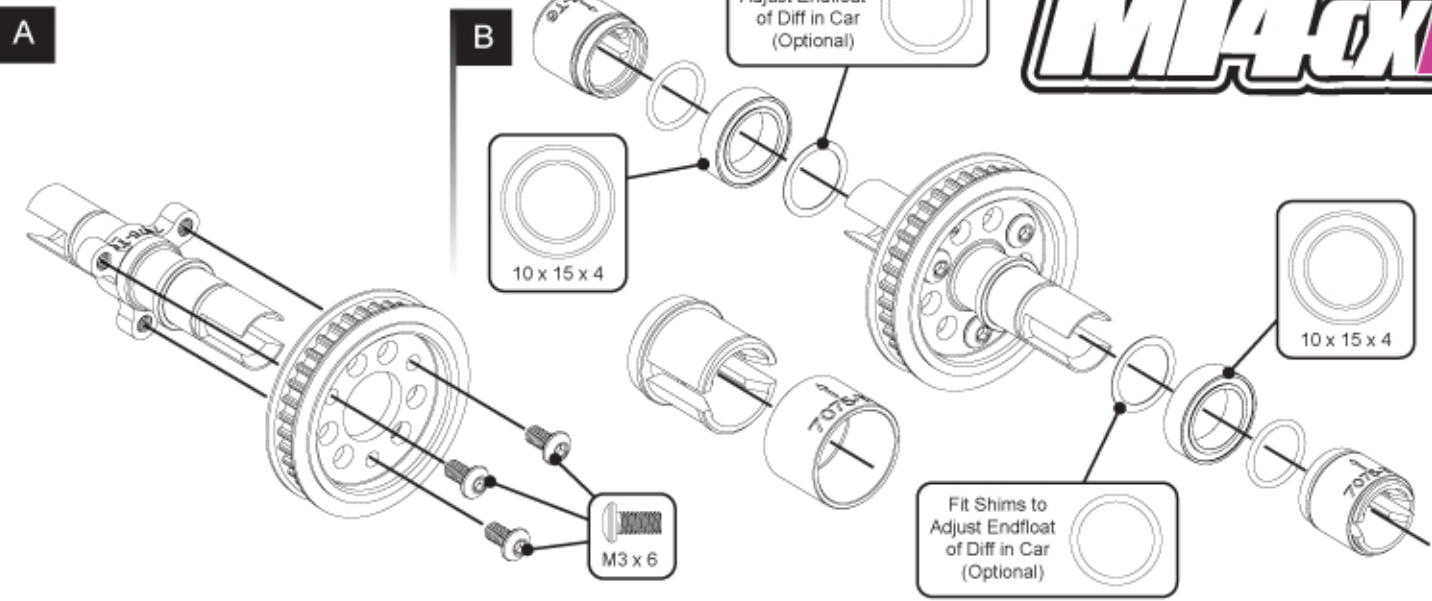
D



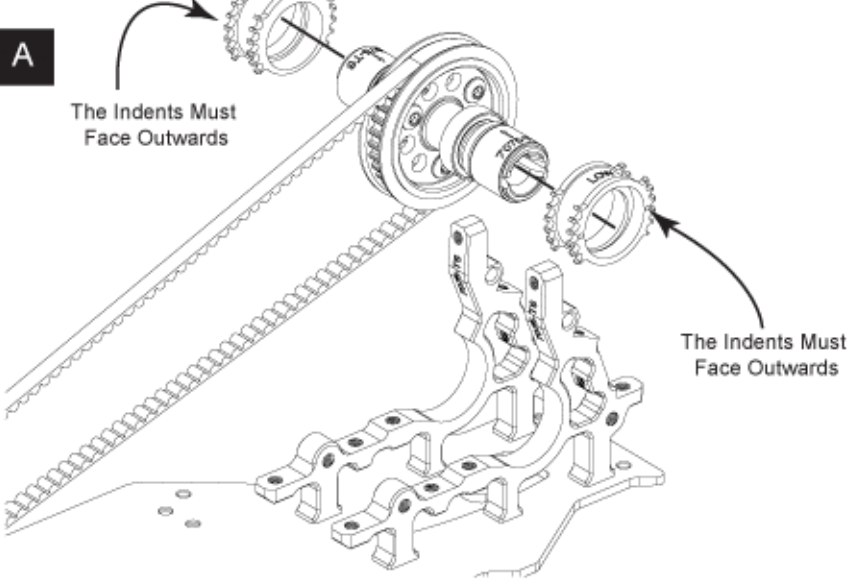
Step 11



Step 12

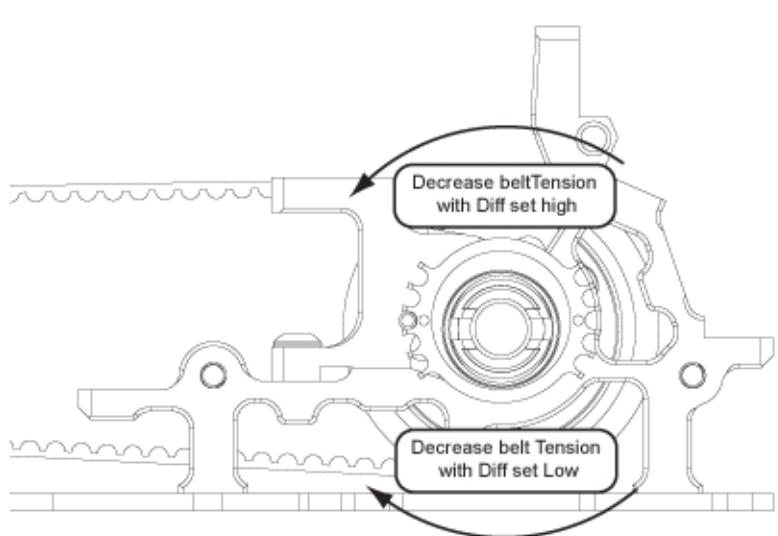
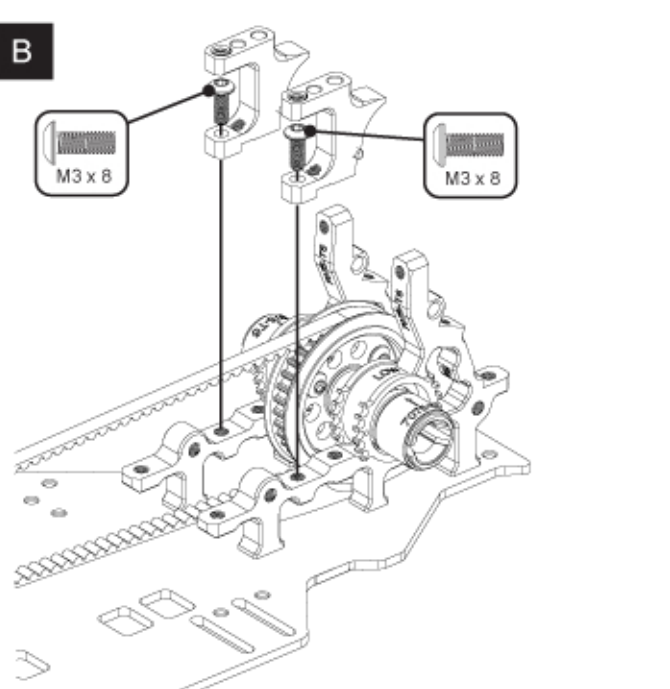


Step 13

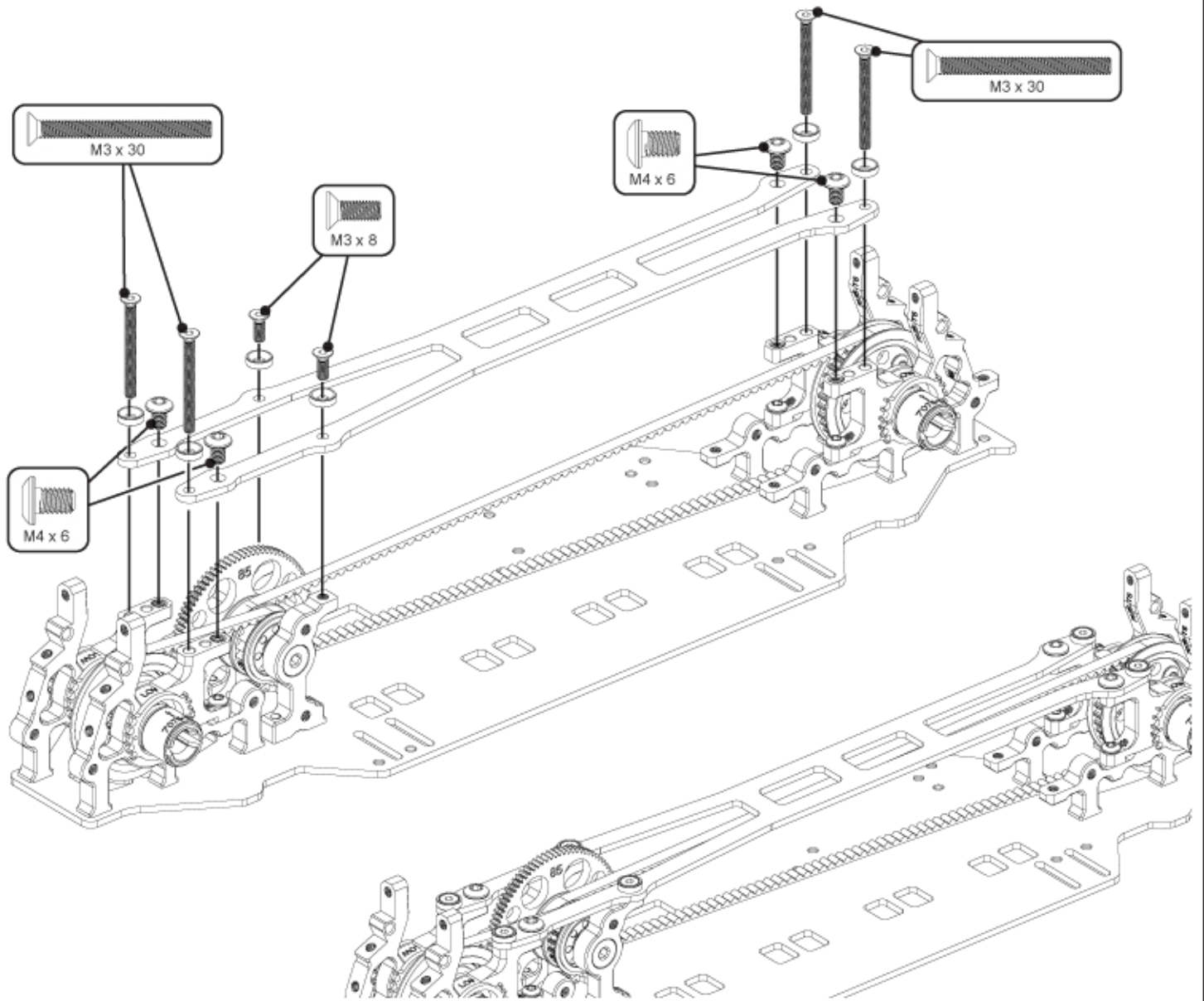


FIT THE DIFF IN THE CAR ACCORDING TO WHICH OPTION YOU CHOSE FOR THE DRIVETRAIN

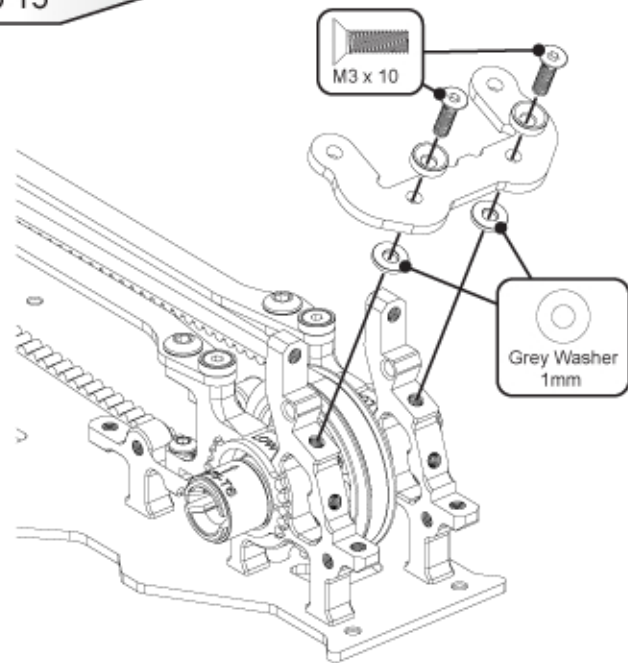
Step 13



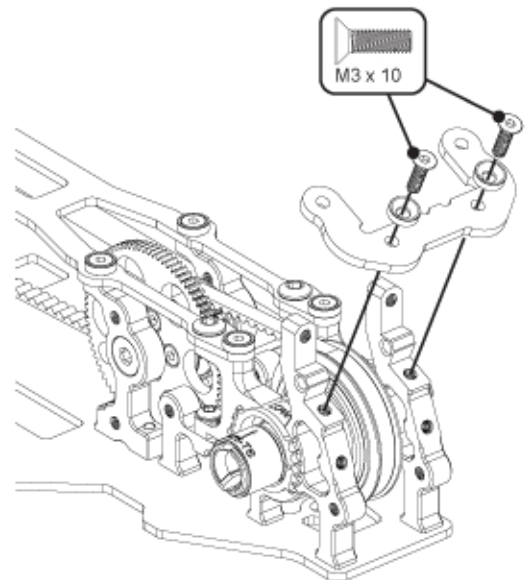
MAKE SURE BOTH CAMS ARE SET THE SAME AND THE BELT TENSION IS GOOD



A

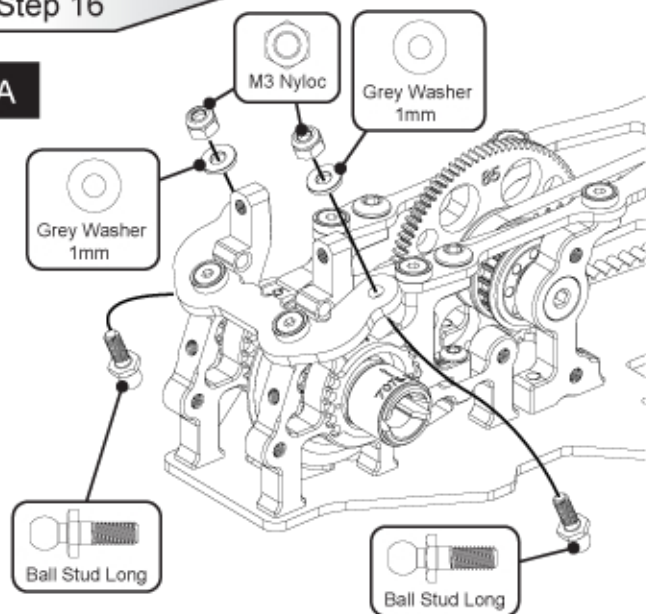


B

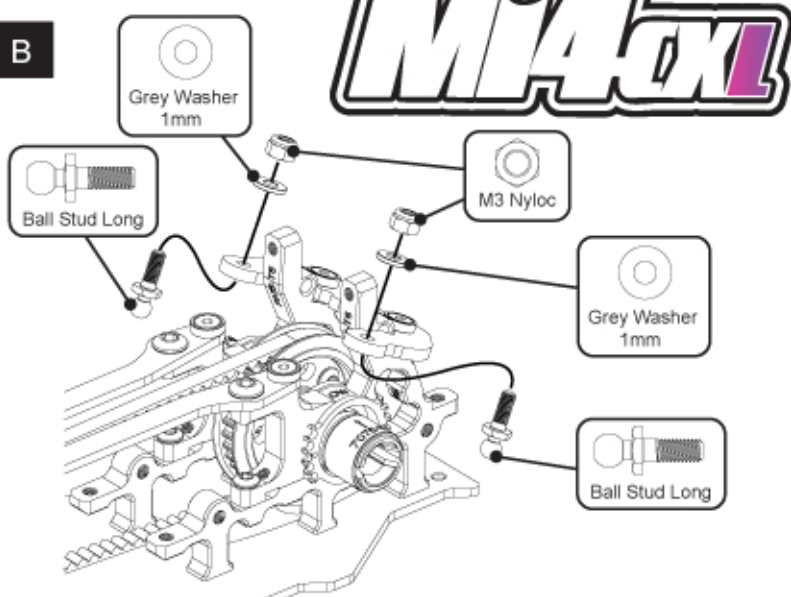


Step 16

A

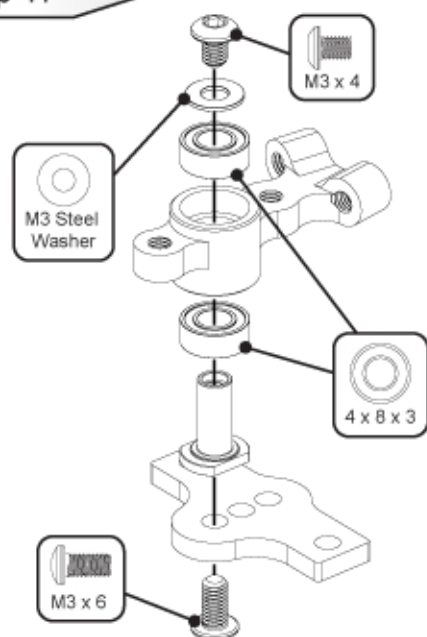


B

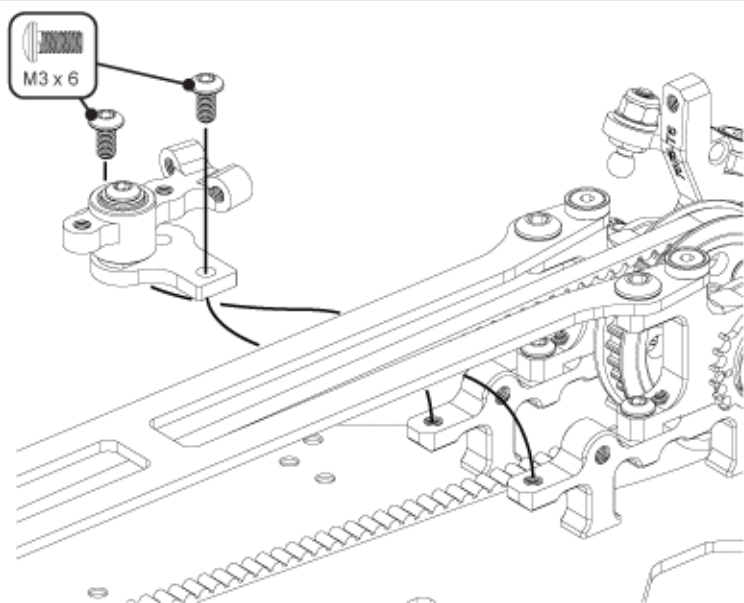


Step 17

A

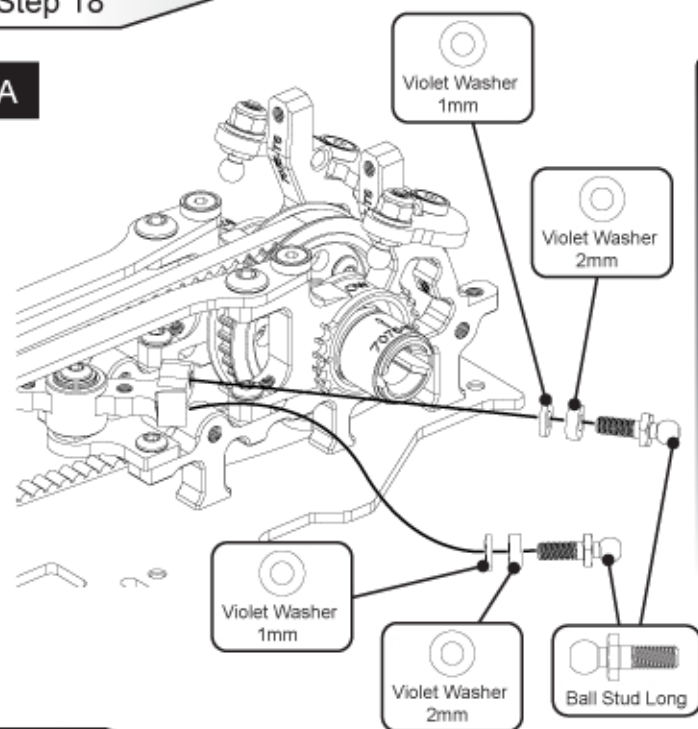


B

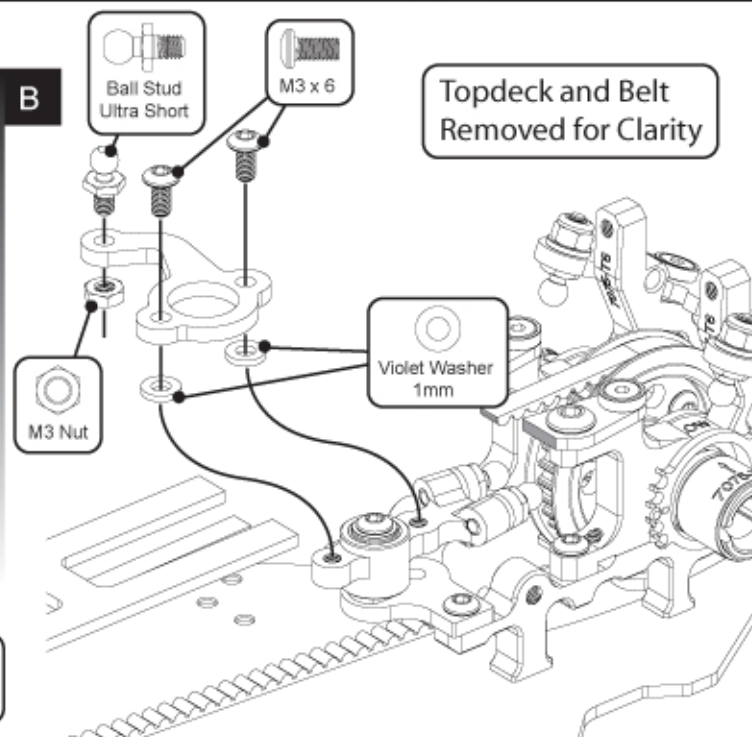


Step 18

A

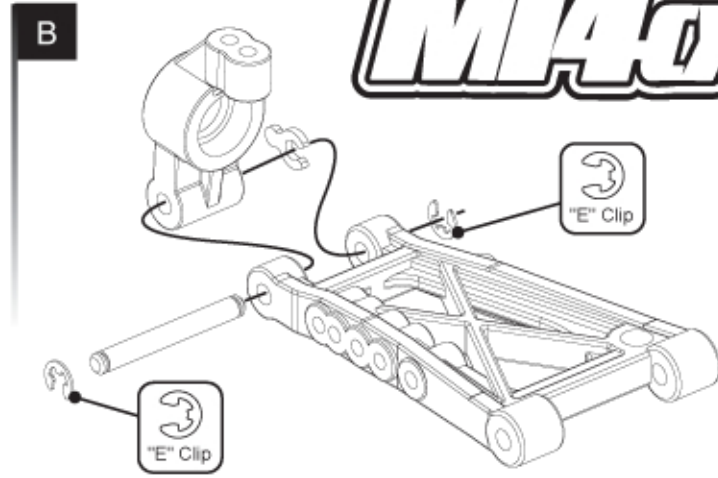
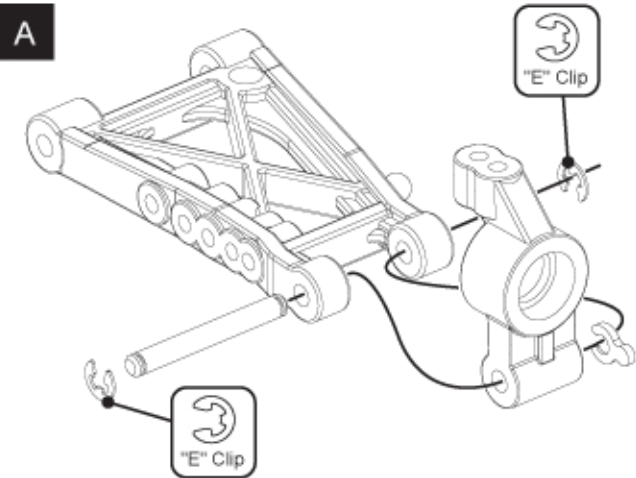


B

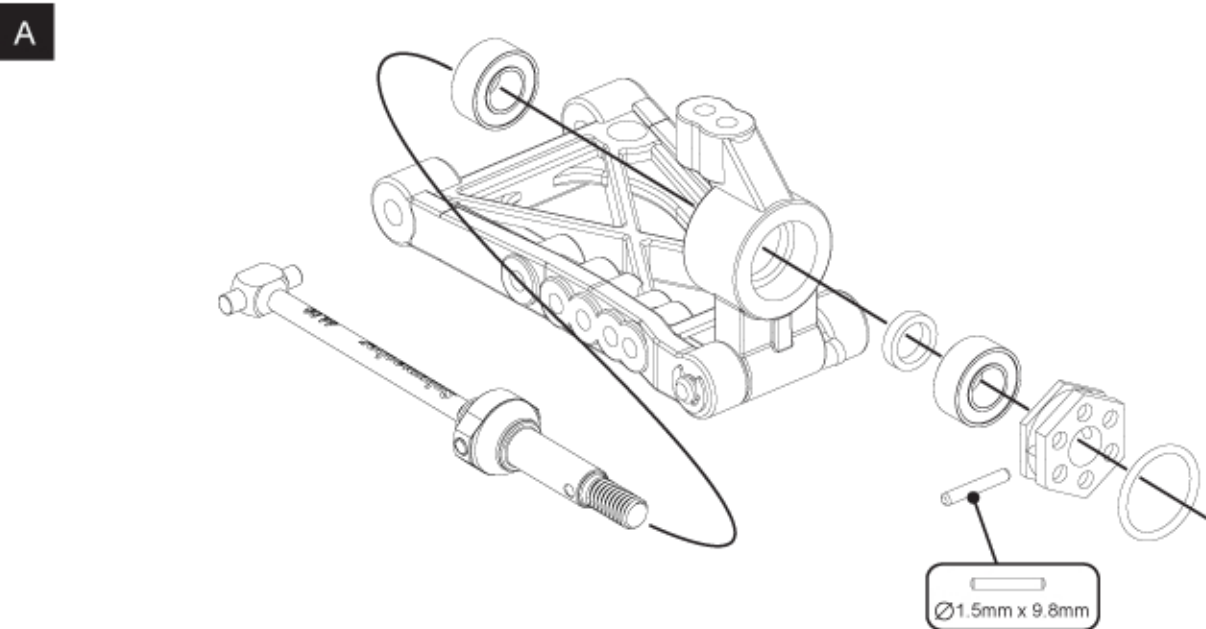


Step 19

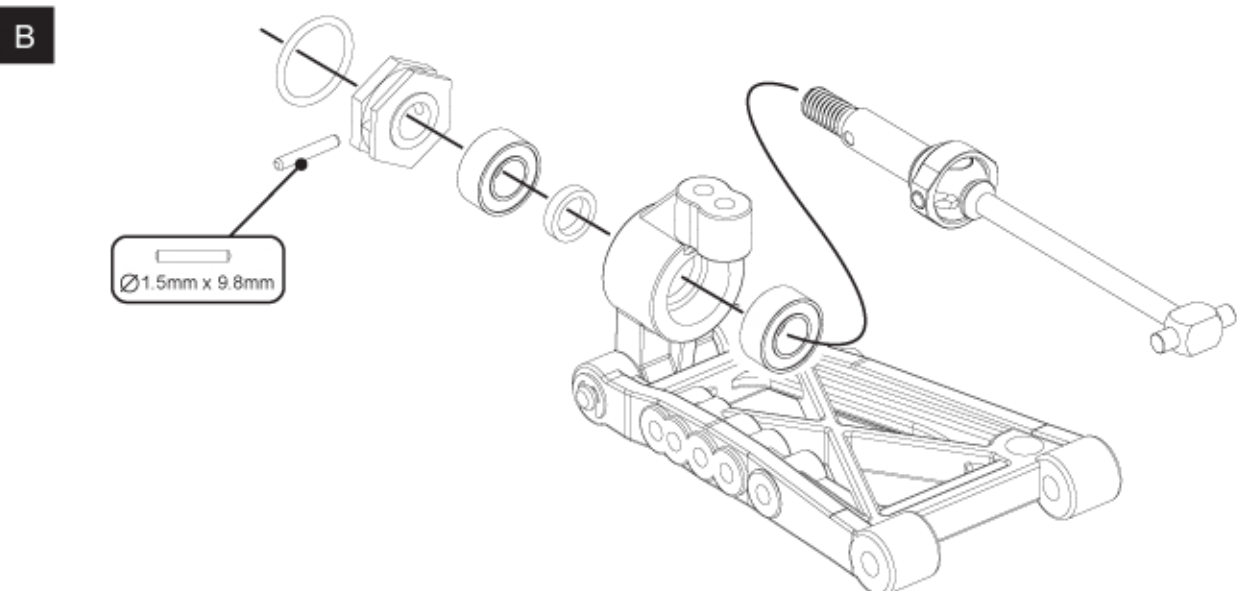
Mi4oxl



Step 20



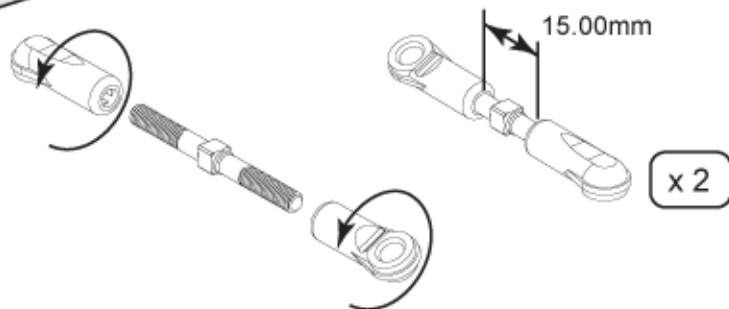
Step 20



Step 21

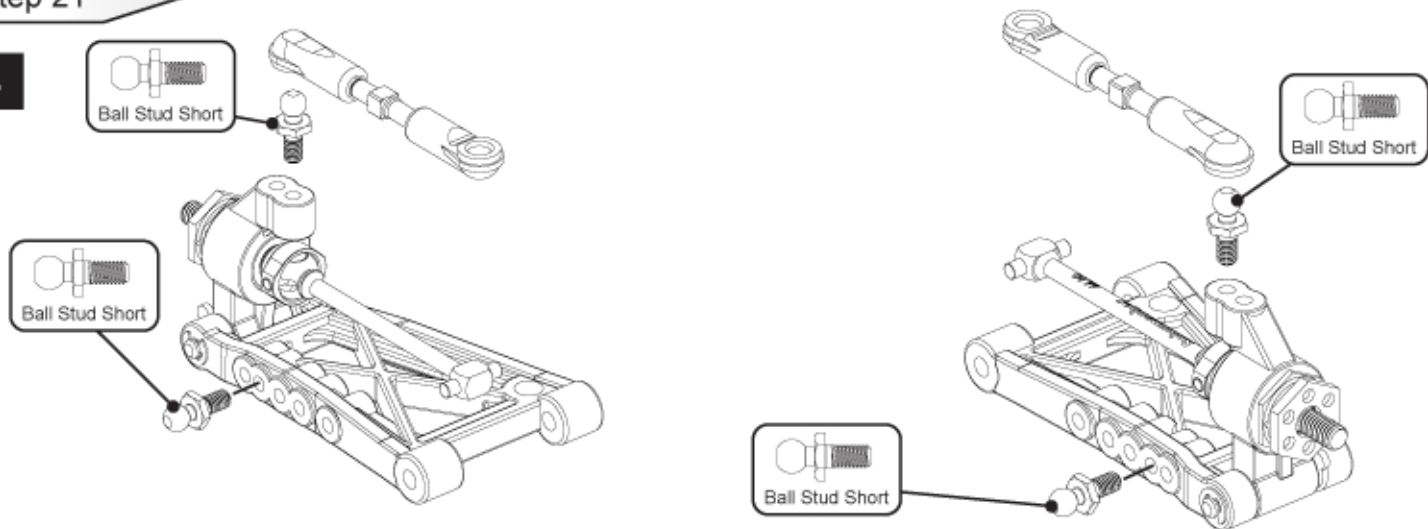
Mi4oxl

A



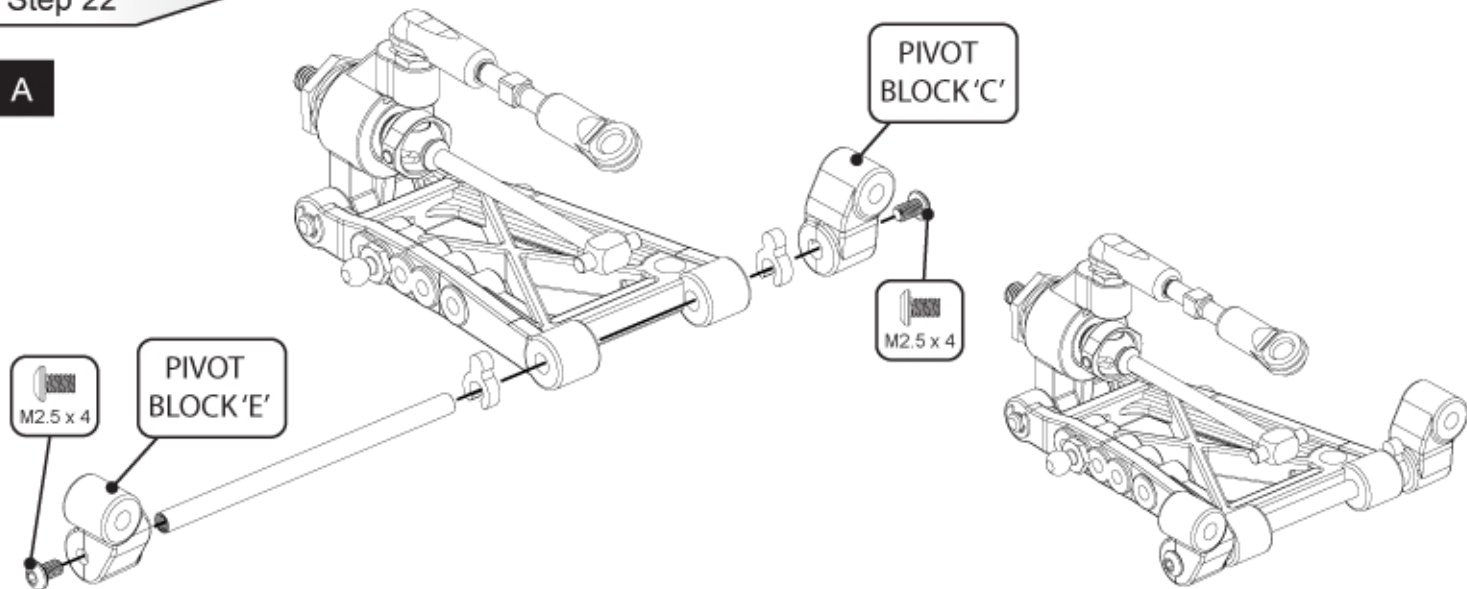
Step 21

B



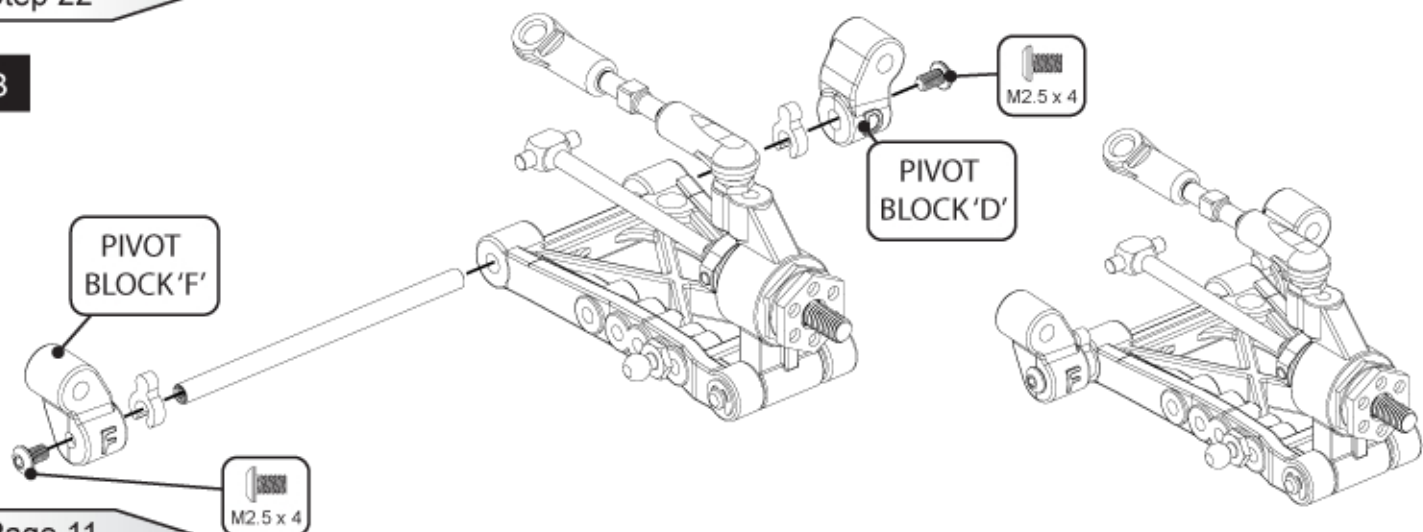
Step 22

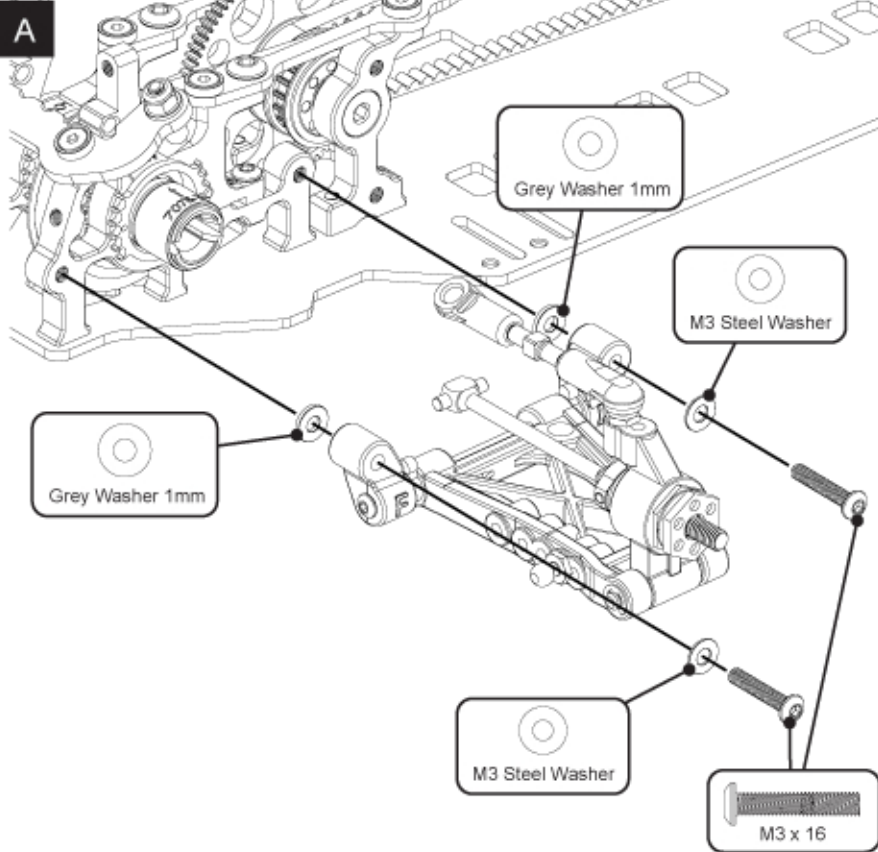
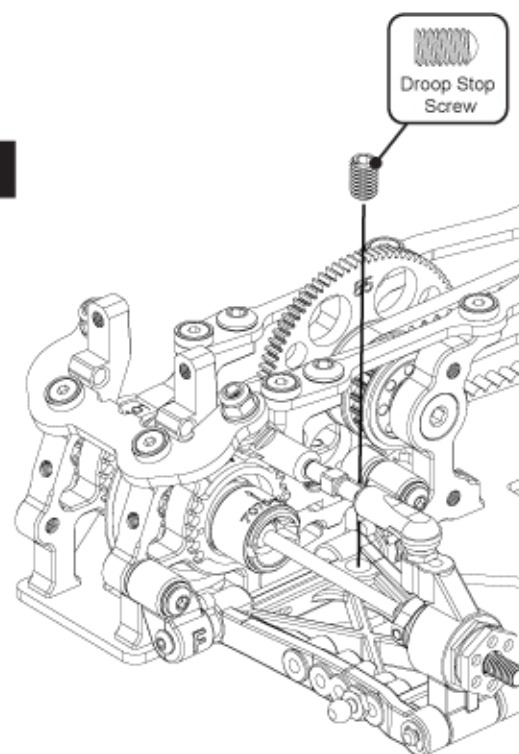
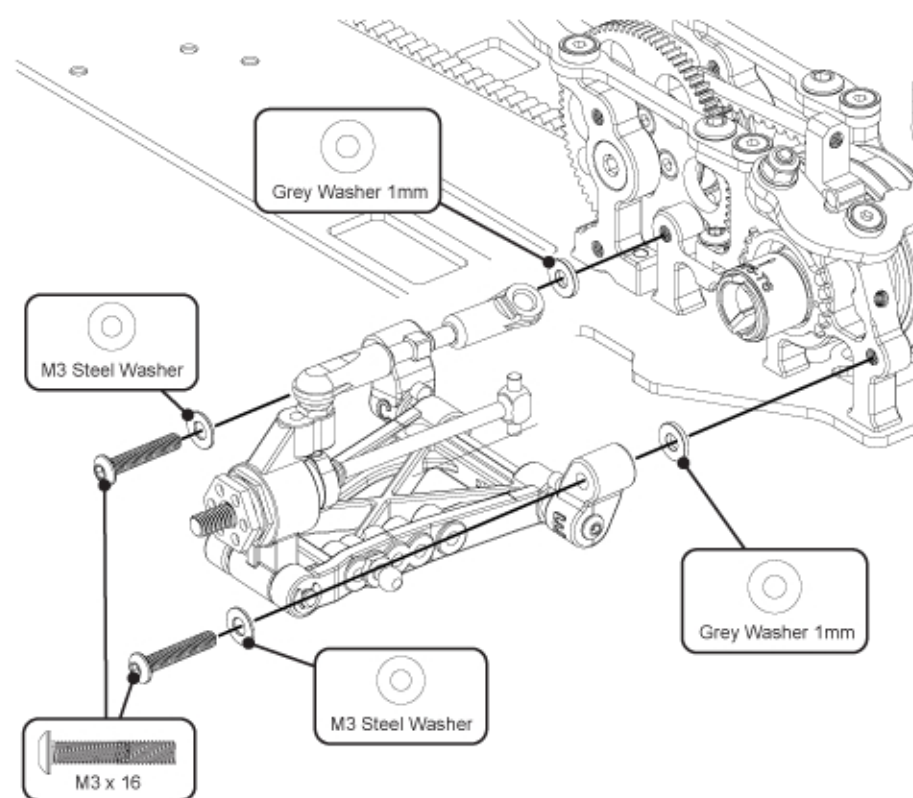
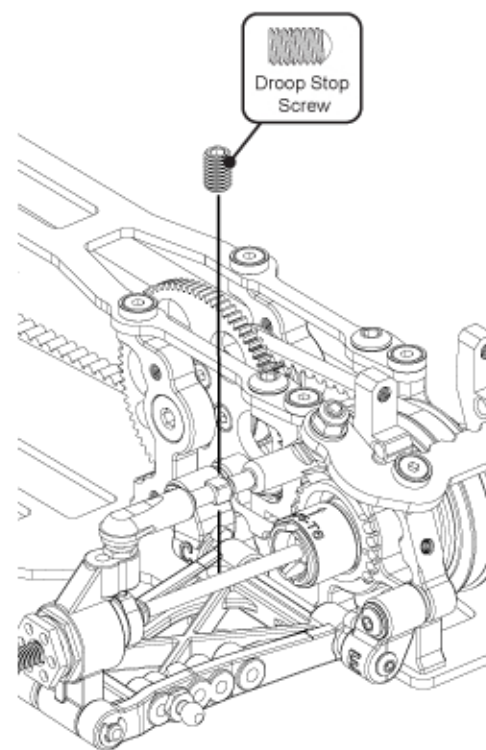
A



Step 22

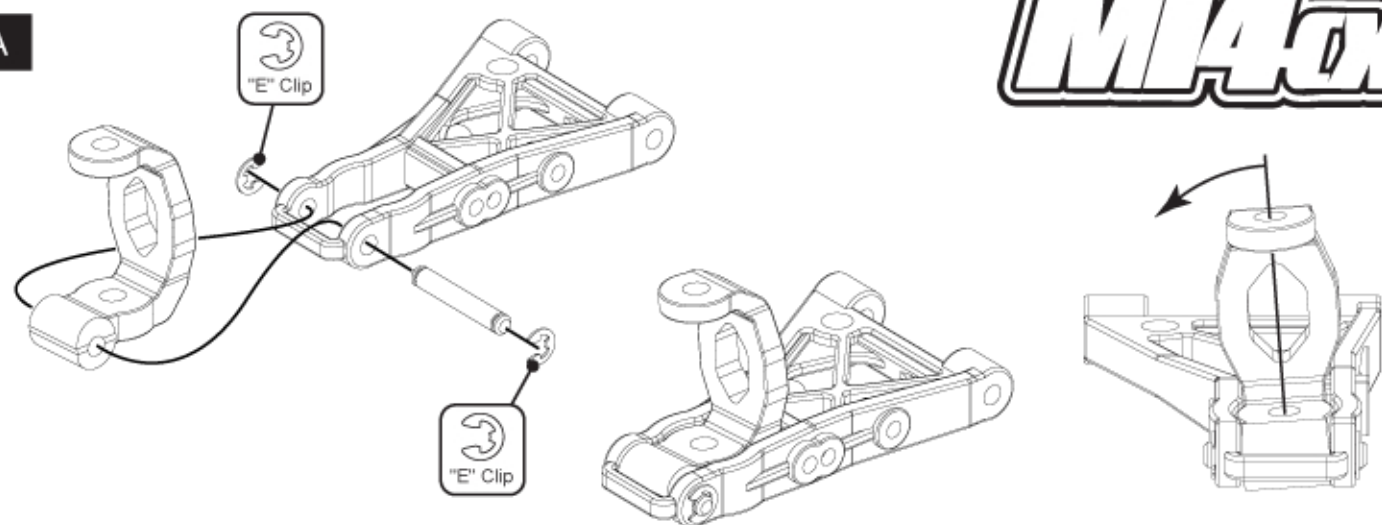
B



**B****C****D**

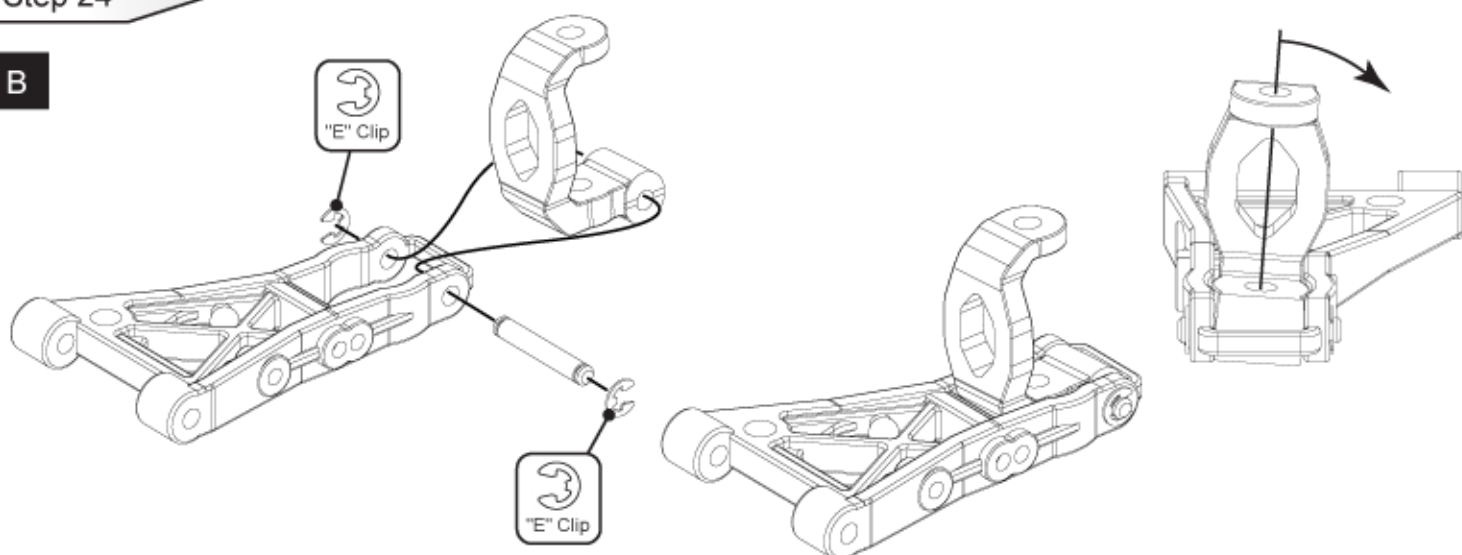
Your suspension should rise and fall freely under its own weight, if it does not fall freely then the ball sockets may be a little tight on the ball studs, you should pinch the ball sockets with a pair of pliers, this will loosen the socket off slightly, and allow you to fine tune the fit.

A



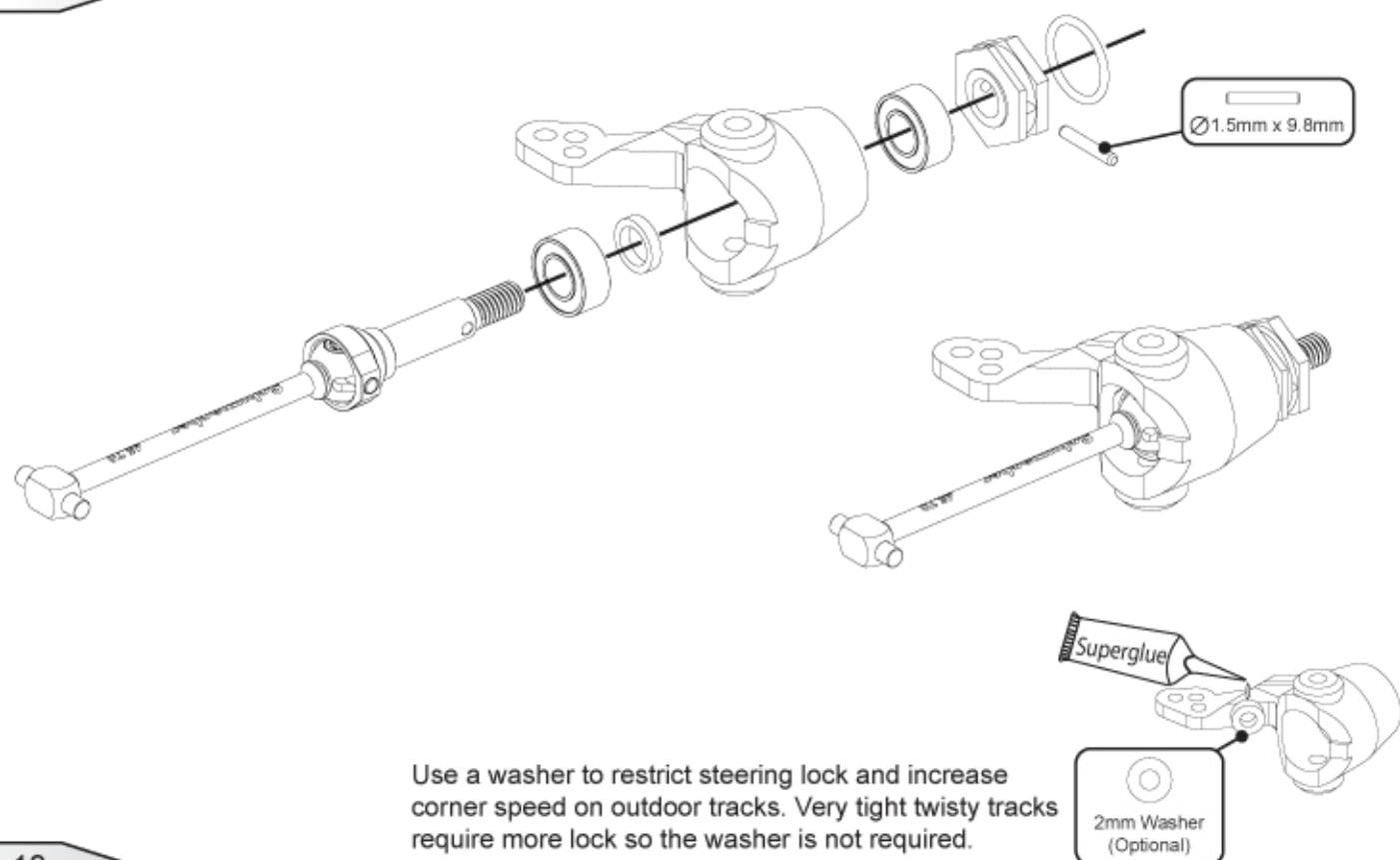
Step 24

B



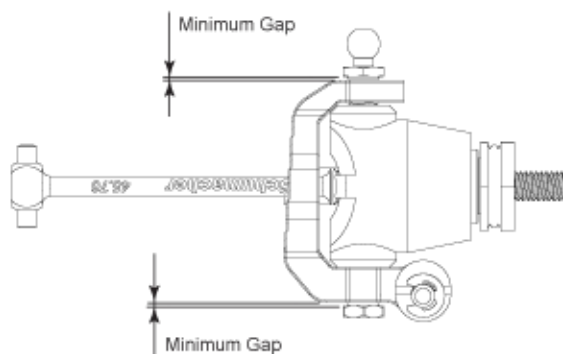
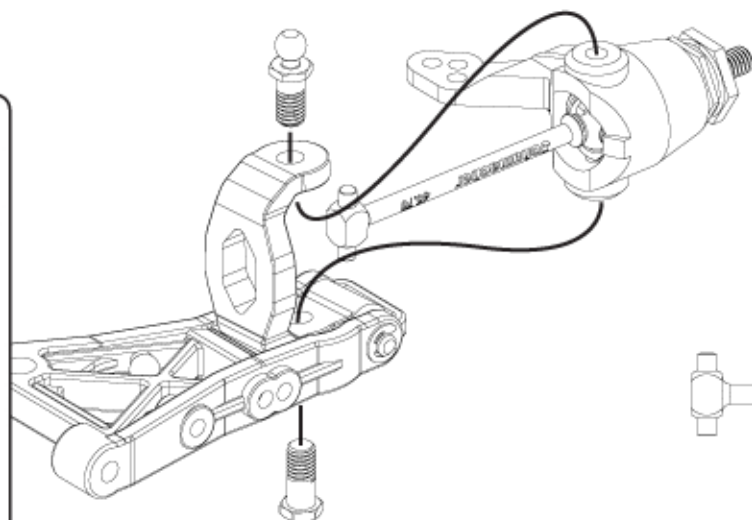
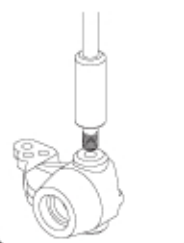
Step 25

A

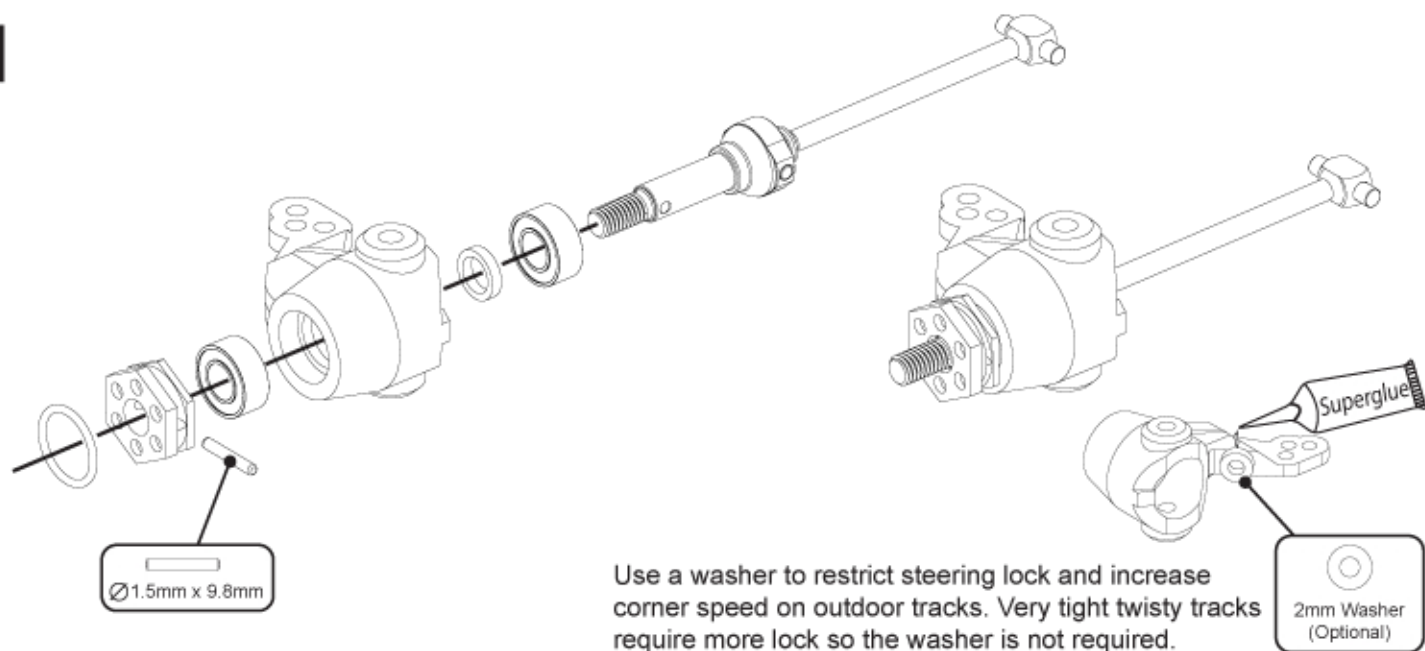


B

Carefully Pre-tap the Hub Carrier using a Nut Runner and the M4 Pivot, this will ensure easier assembly with the yoke with better alignment.



A

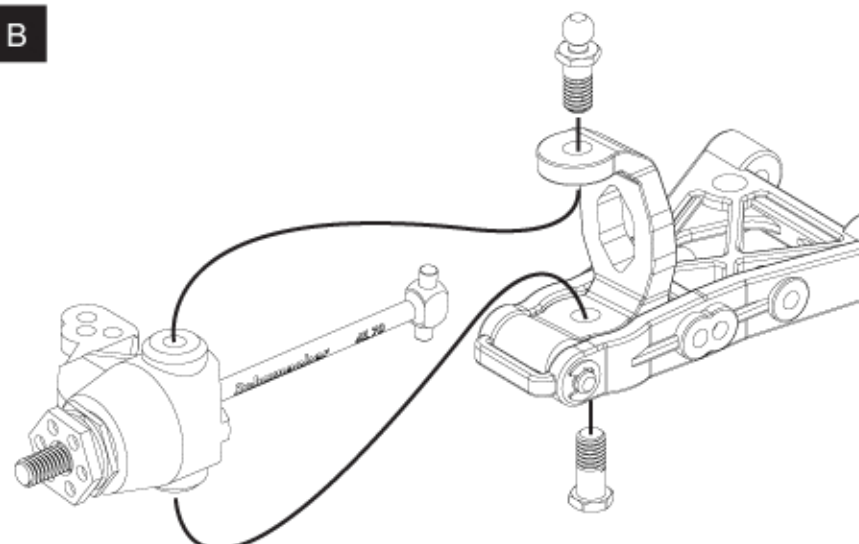


Ø1.5mm x 9.8mm

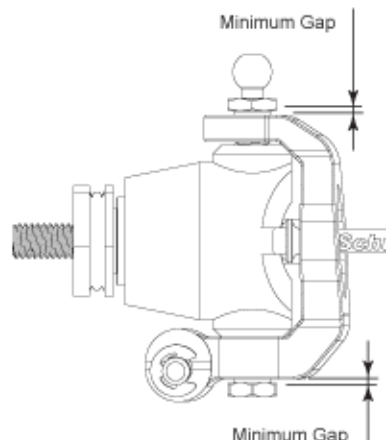
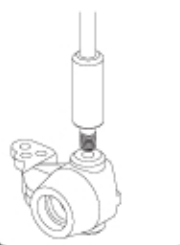
Use a washer to restrict steering lock and increase corner speed on outdoor tracks. Very tight twisty tracks require more lock so the washer is not required.

2mm Washer (Optional)

B

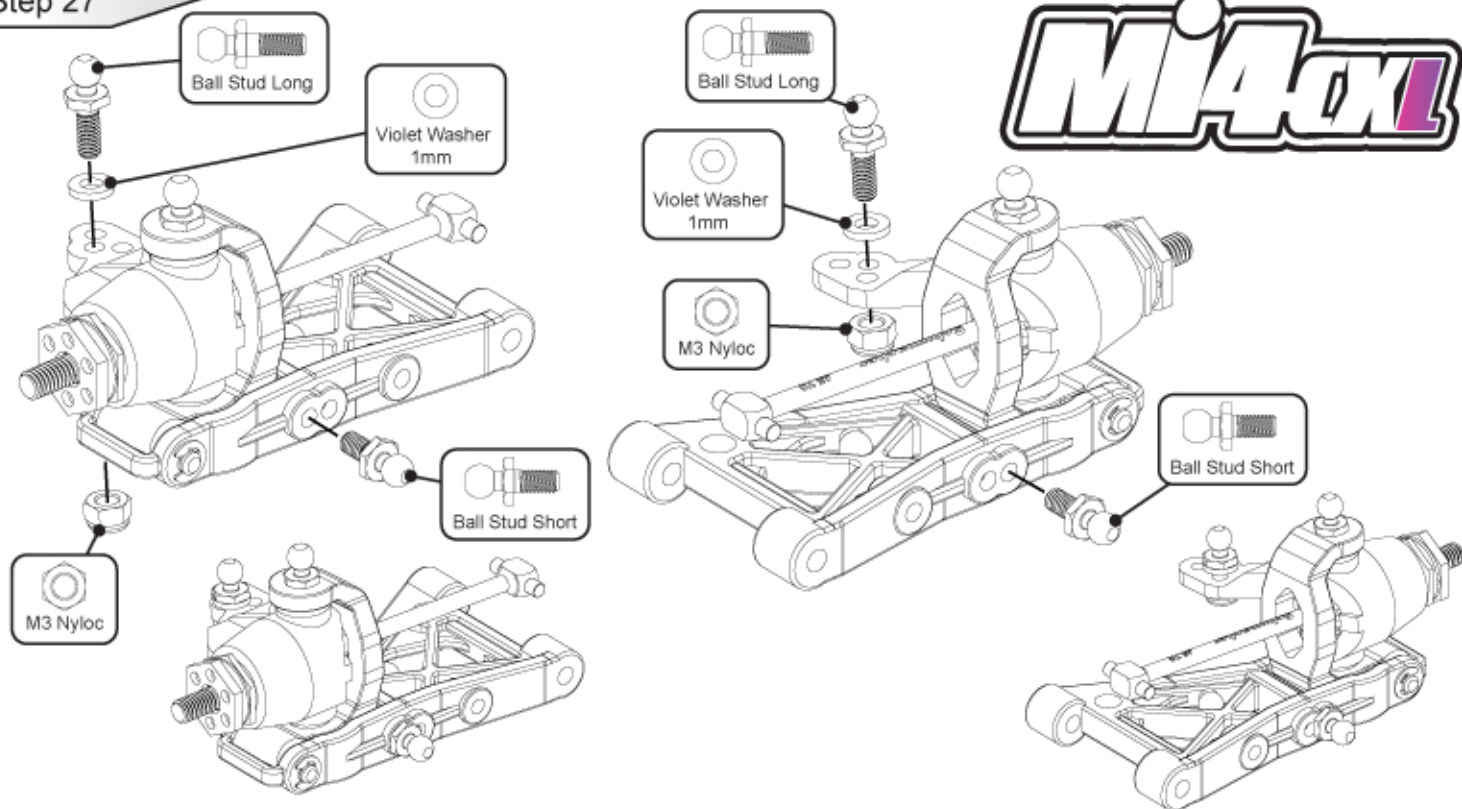


Carefully Pre-tap the Hub Carrier using a Nut Runner and the M4 Pivot, this will ensure easier assembly with the yoke with better alignment.



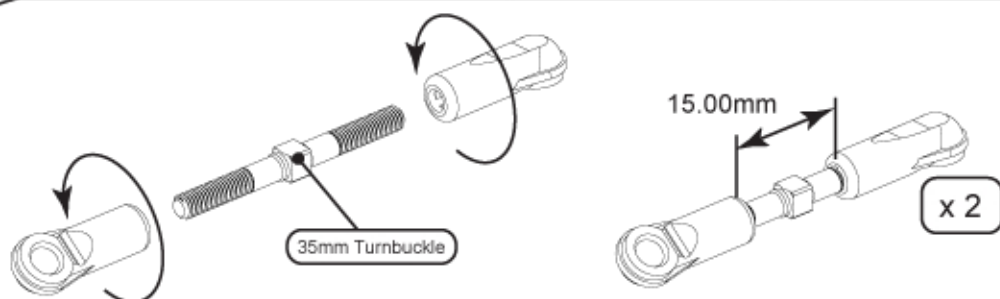
Step 27

Mi4x1



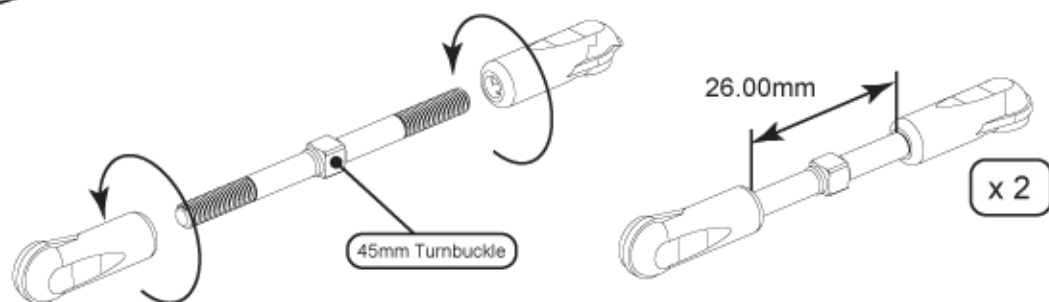
Step 28

A



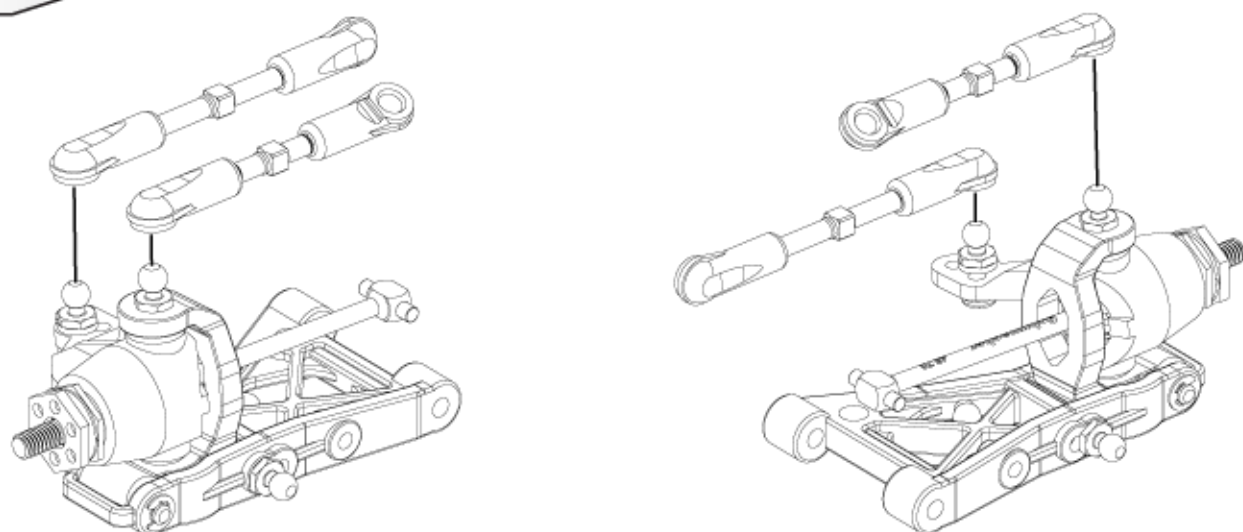
Step 28

B



Step 28

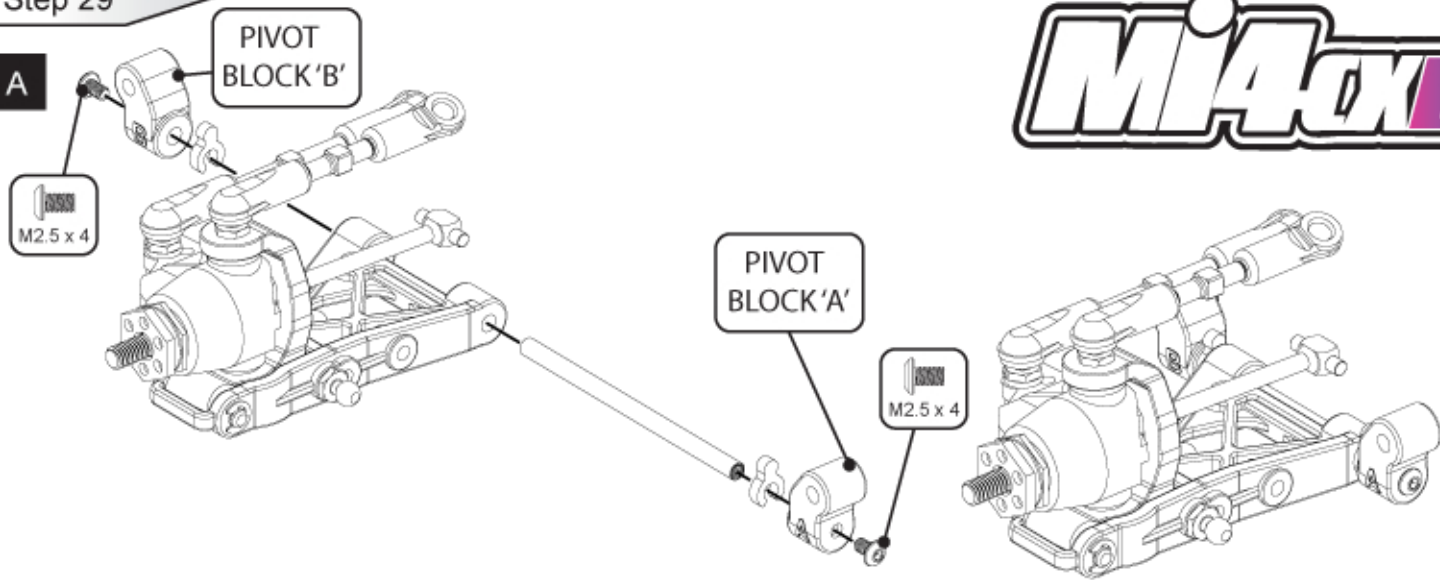
C



Step 29

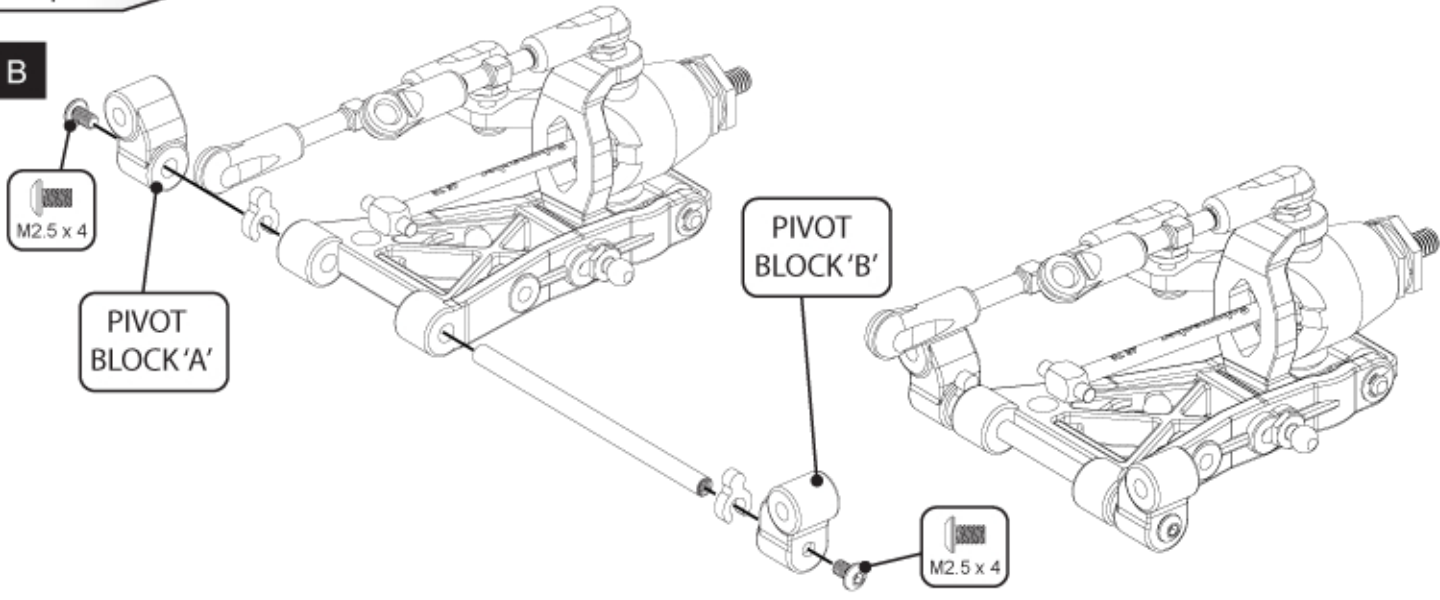


A



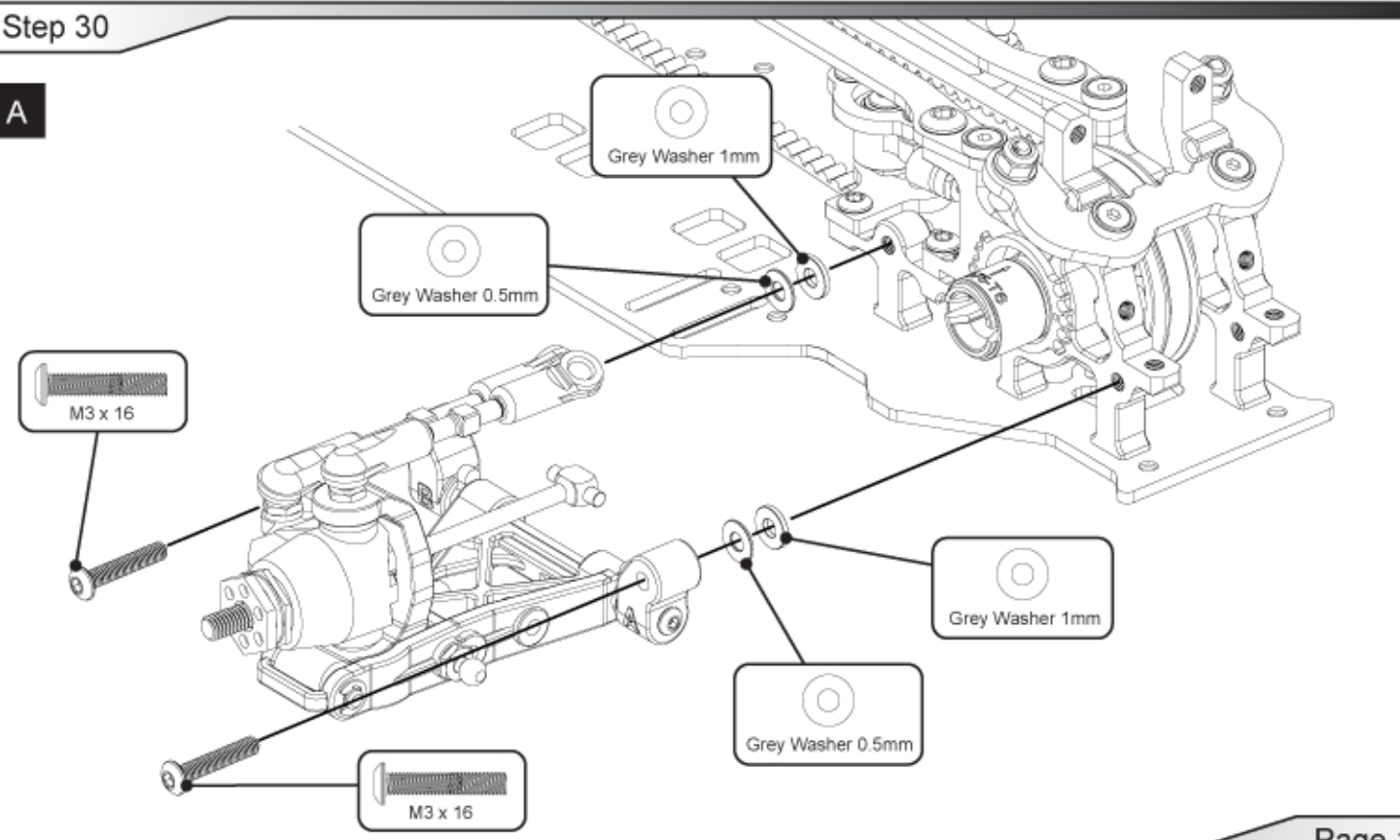
Step 29

B

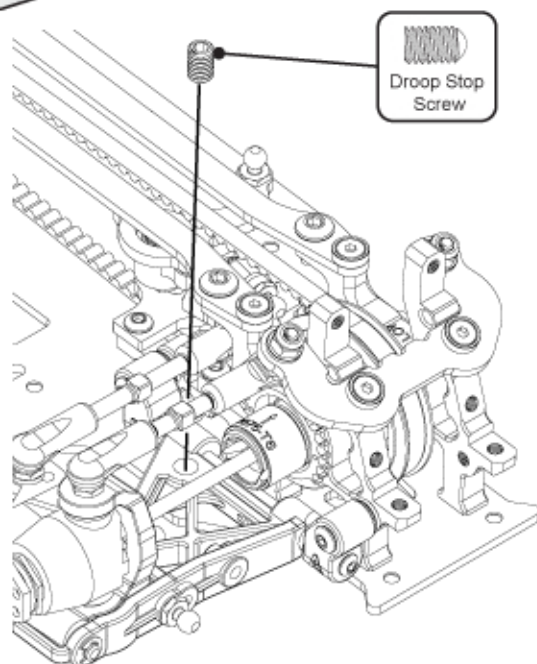


Step 30

A

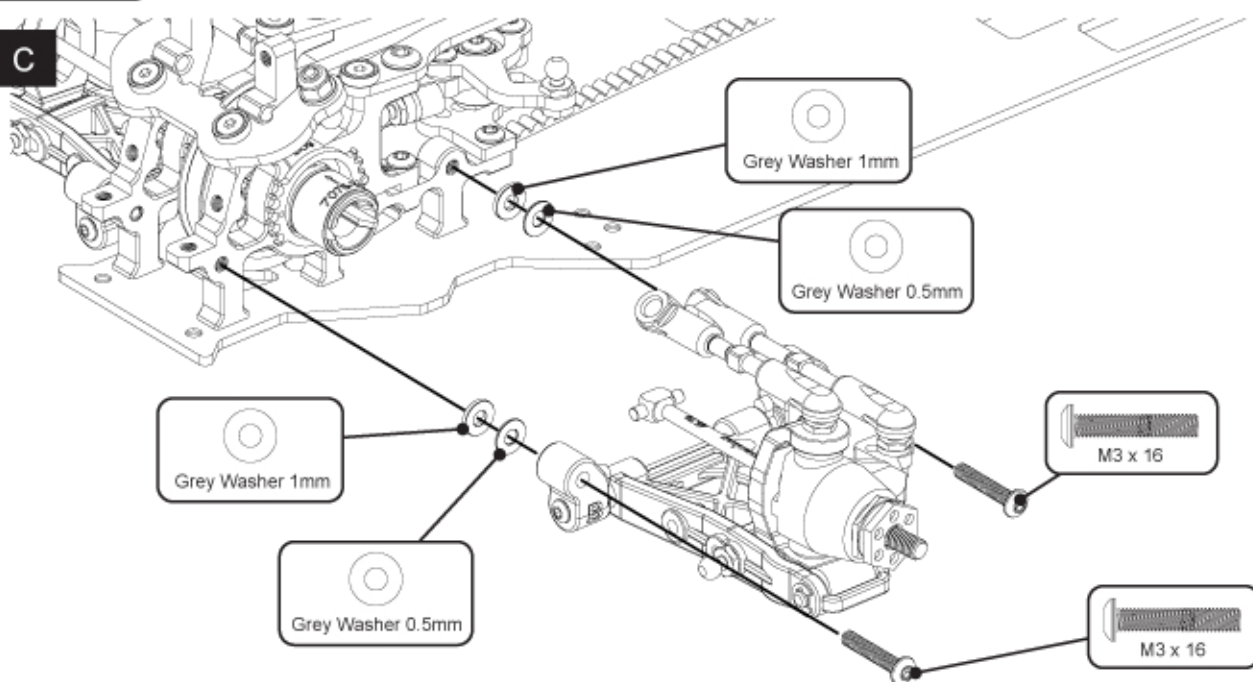


B

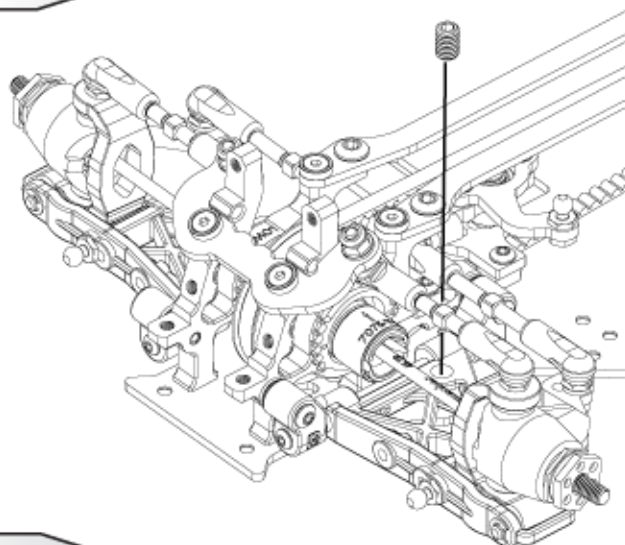


Your suspension should rise and fall freely under its own weight, If it does not fall freely then the ball sockets may be a little tight on the ball studs, you should pinch the ball sockets with a pair of pliers, this will loosen the socket off slightly, and allow you to fine tune the fit.

C



D

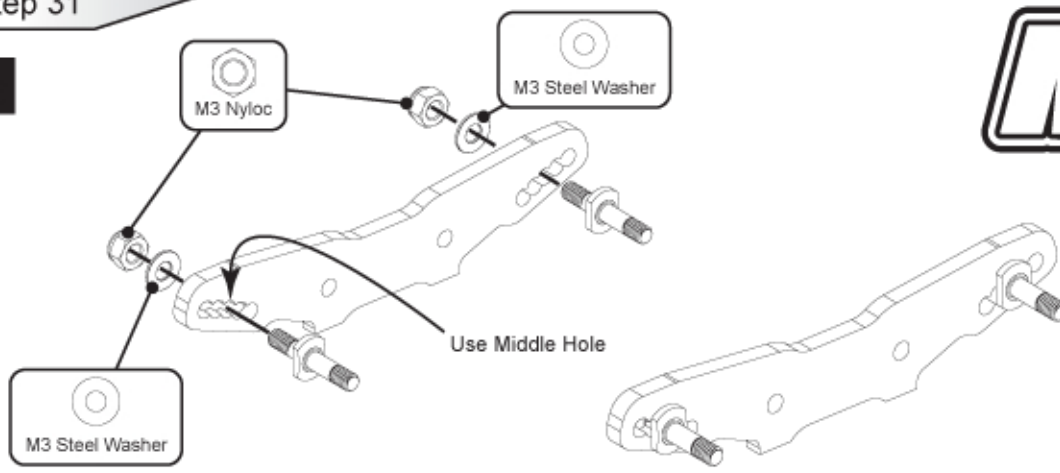


Your suspension should rise and fall freely under its own weight, If it does not fall freely then the ball sockets may be a little tight on the ball studs, you should pinch the ball sockets with a pair of pliers, this will loosen the socket off slightly, and allow you to fine tune the fit.

Step 31

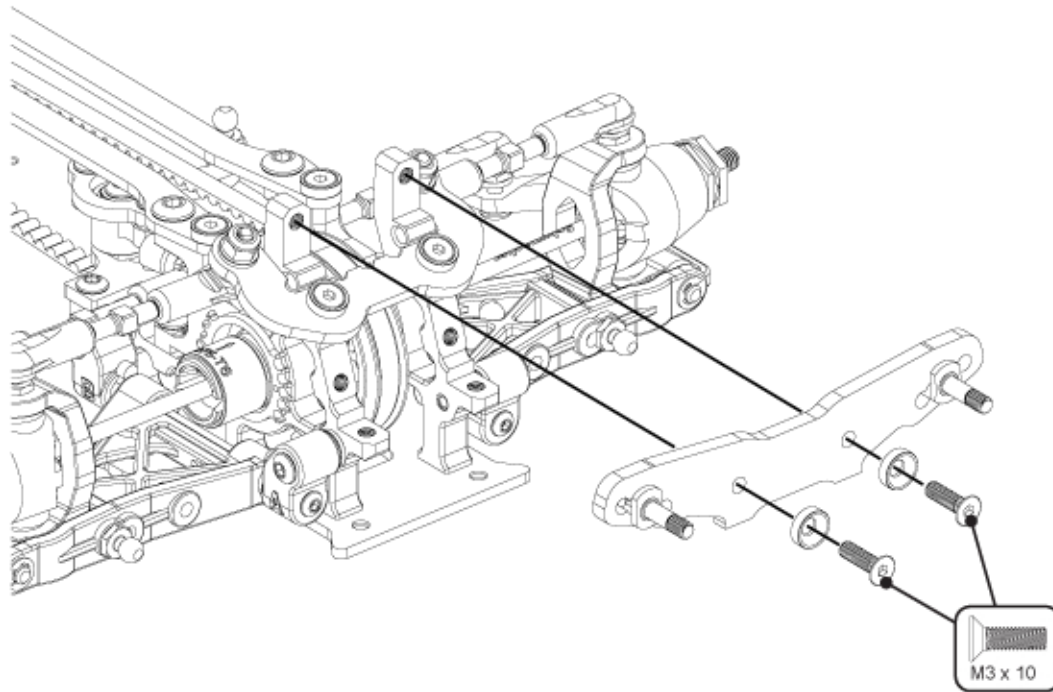


A



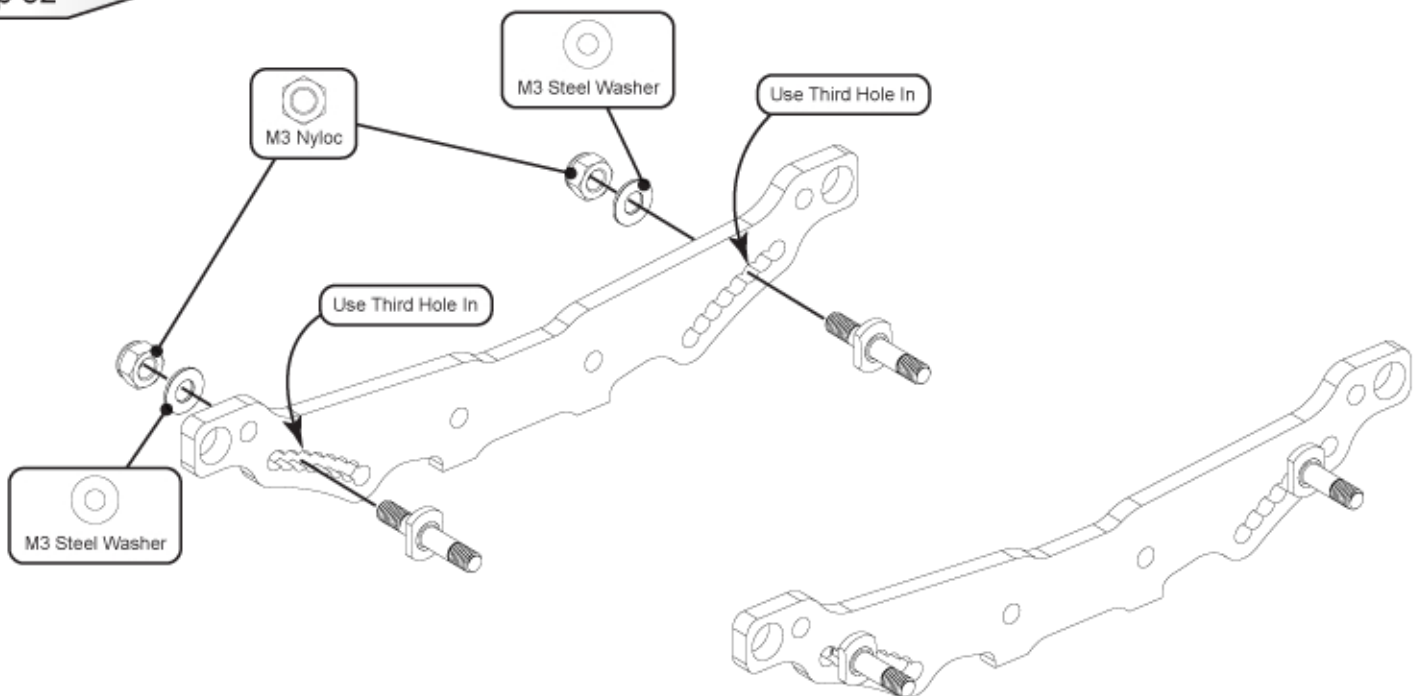
Step 31

B



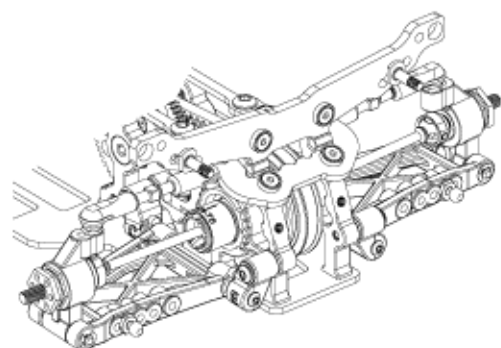
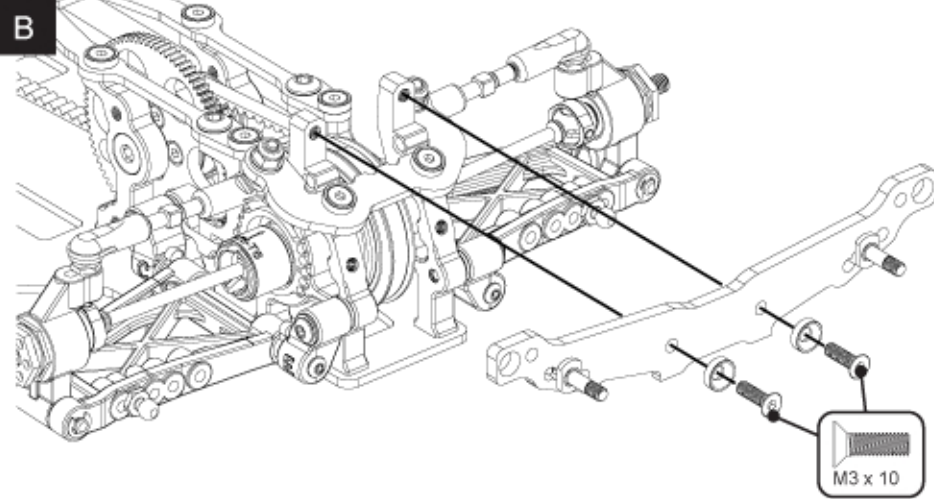
Step 32

A

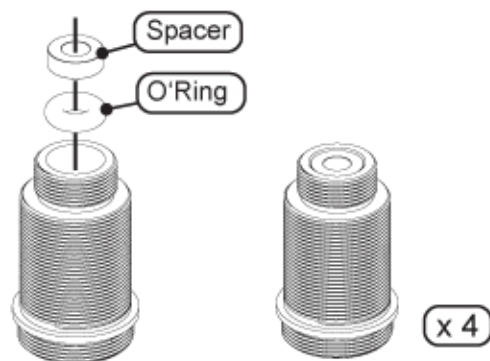


Step 32

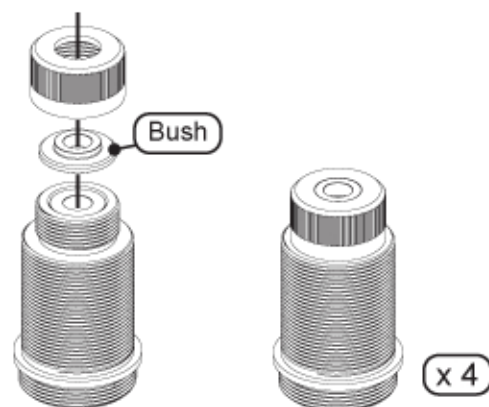
MI40XL



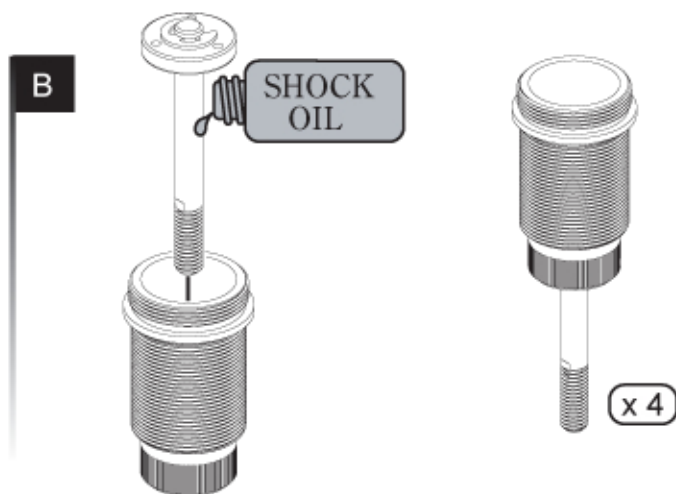
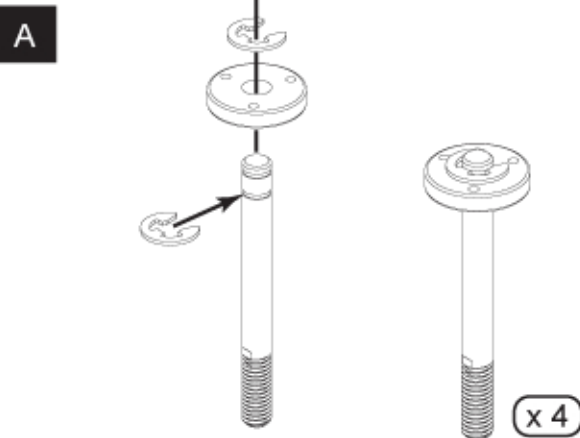
Step 33



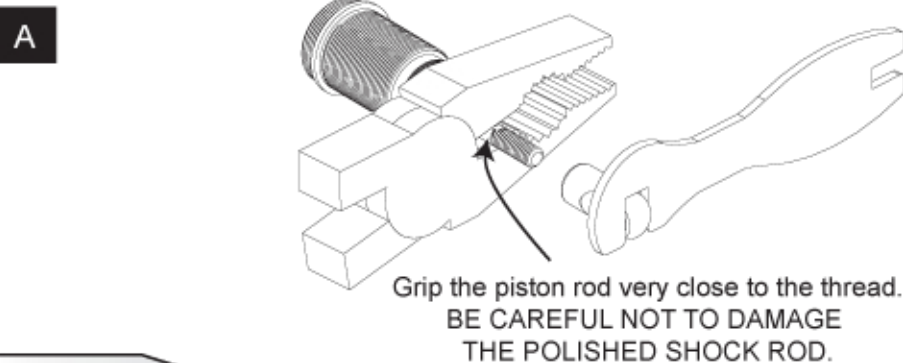
Step 34



Step 35

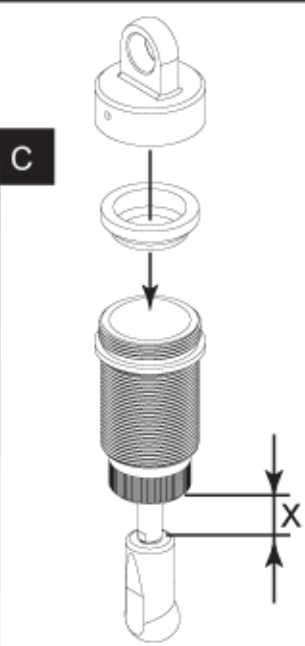
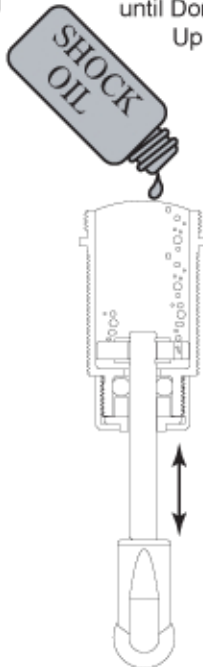


Step 36

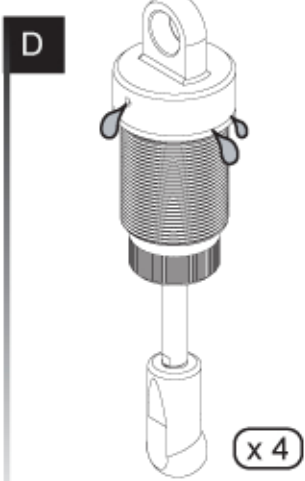


Step 36

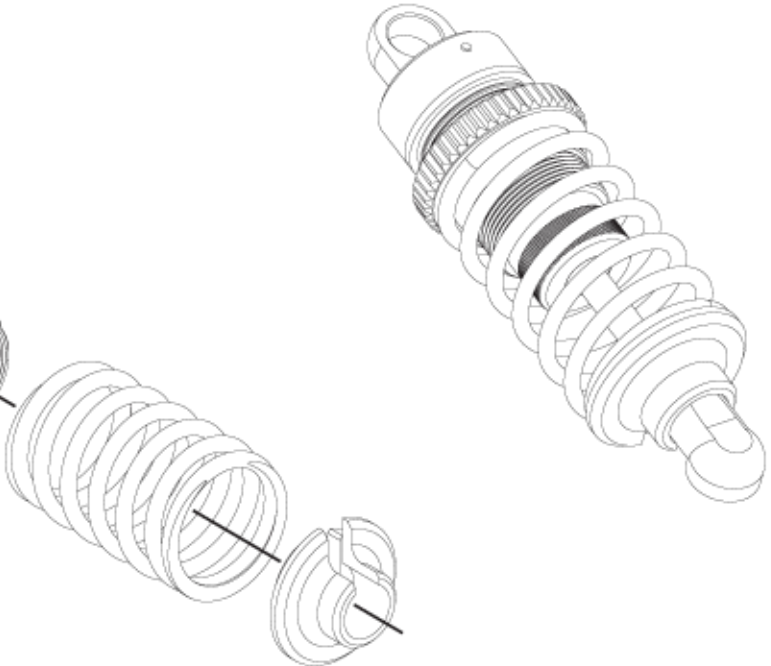
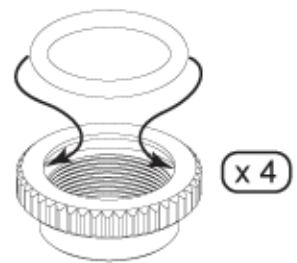
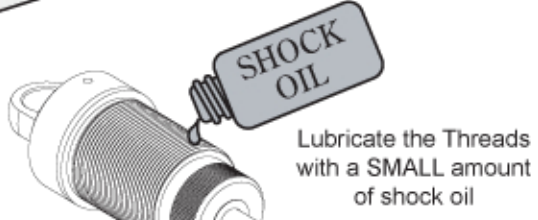
B Fill Slowly With Shock Oil until Domed. Move Piston Up and Down Slowly and Allow all Air Bubbles to Rise and disappear.



Adjust this distance (X) to suit the amount of rebound you want
Bigger Distance = More Rebound

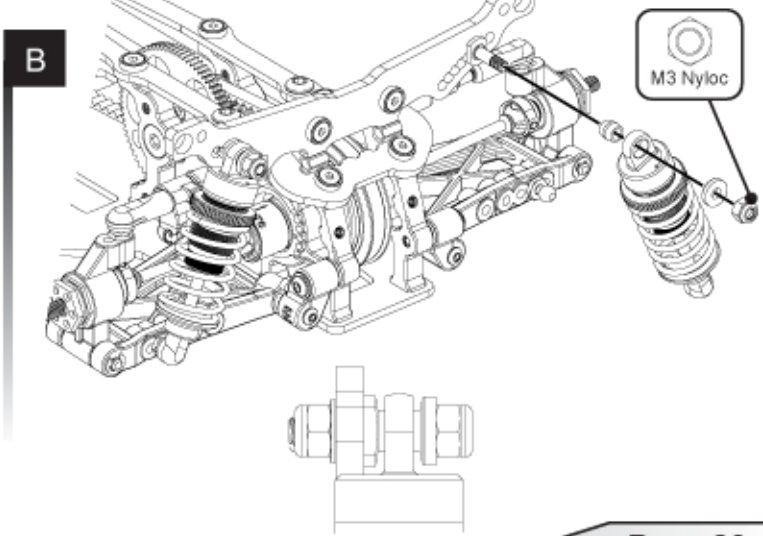
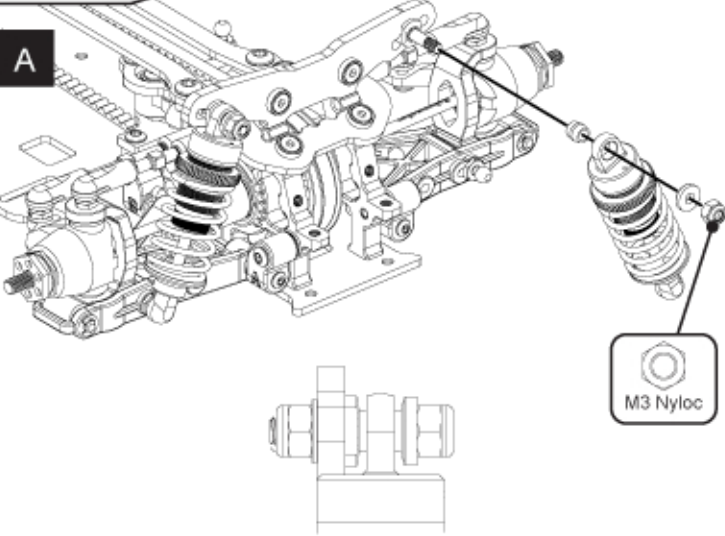


Step 37



Fit the Blue Springs to the Front Shock Absorbers
Fit the White Spring to the Rear Shock Absorbers

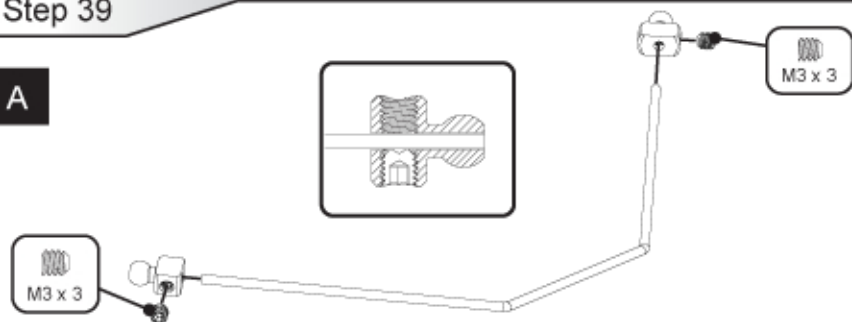
Step 38



Step 39

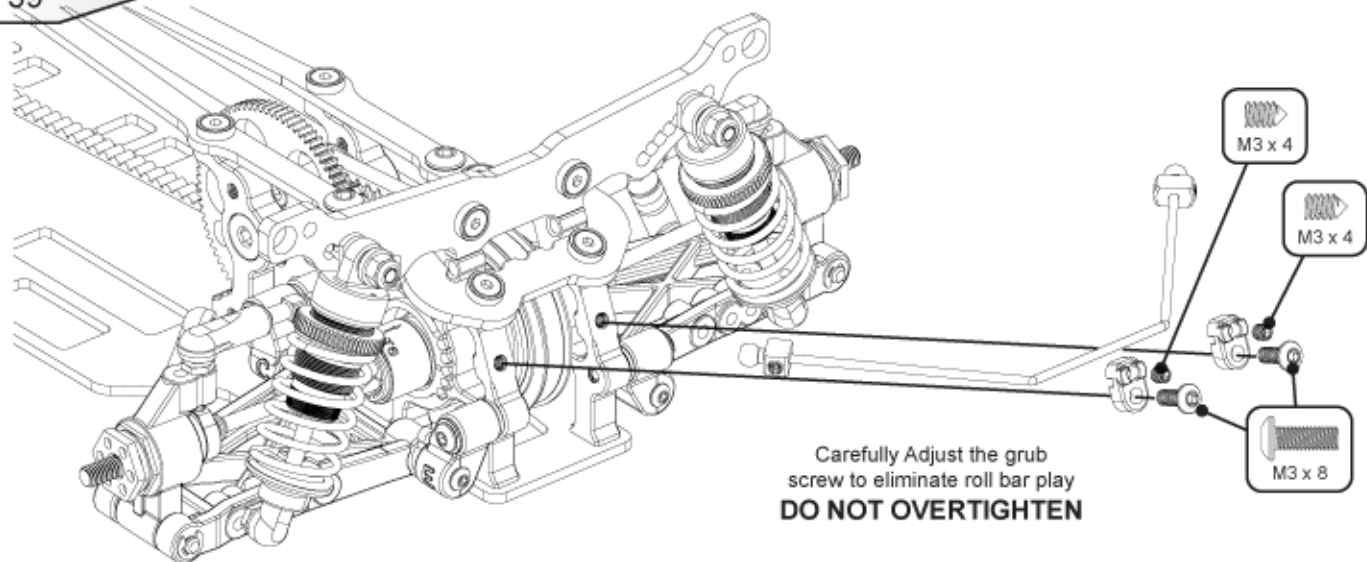
Mi4oxl

A



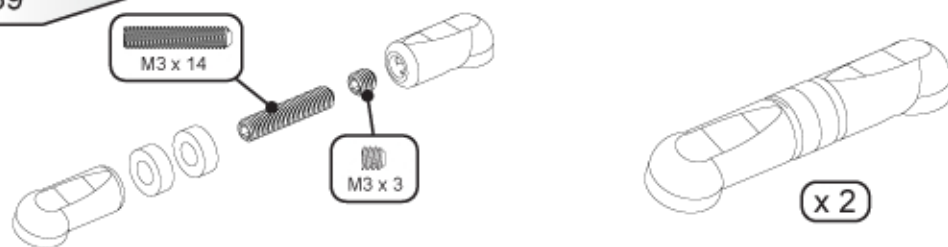
Step 39

B



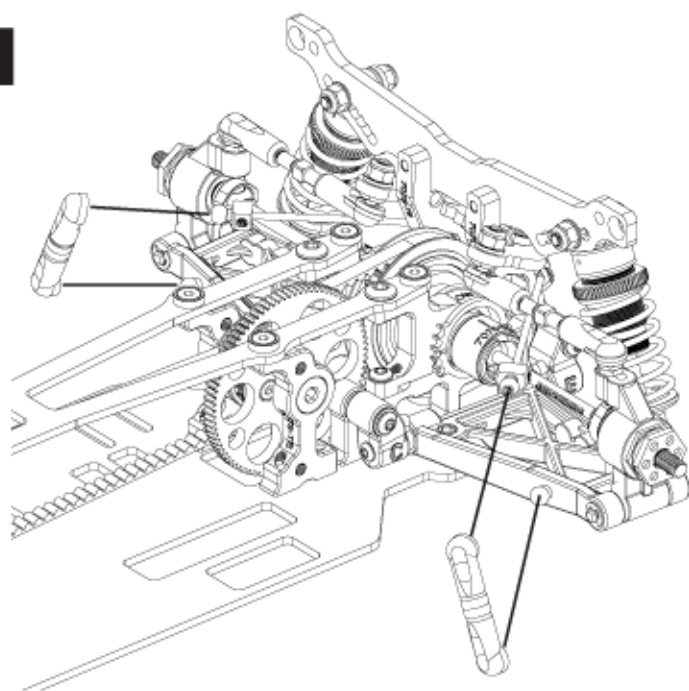
Step 39

C



Step 39

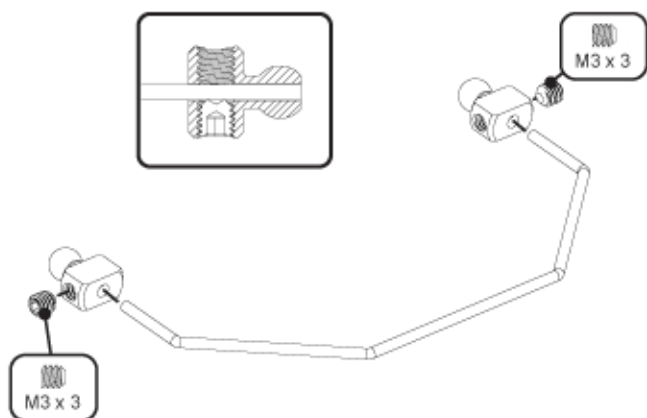
D



Anti-roll bar links should move freely.
If they are tight on the balls squeeze them
with pliers to loosen them.

Step 40

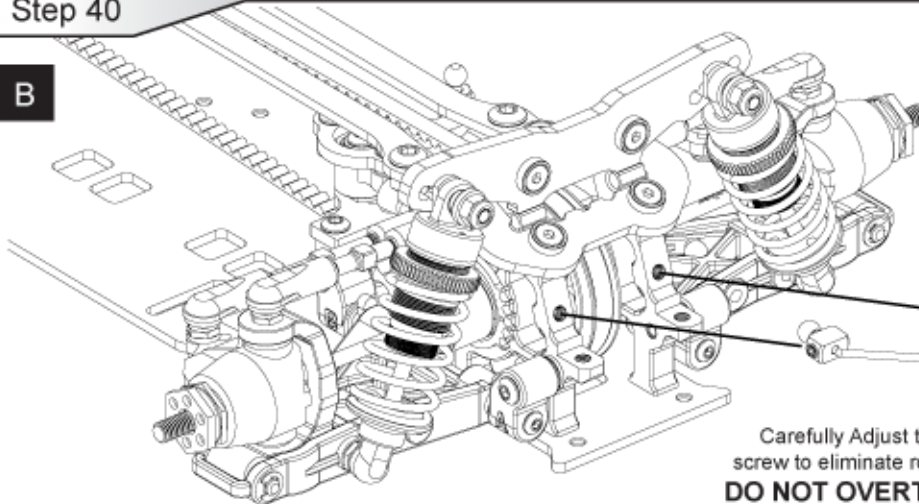
A



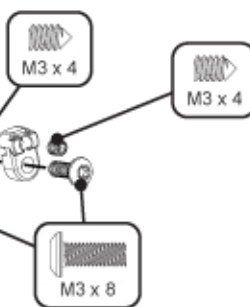
Step 40

MiAxi

B

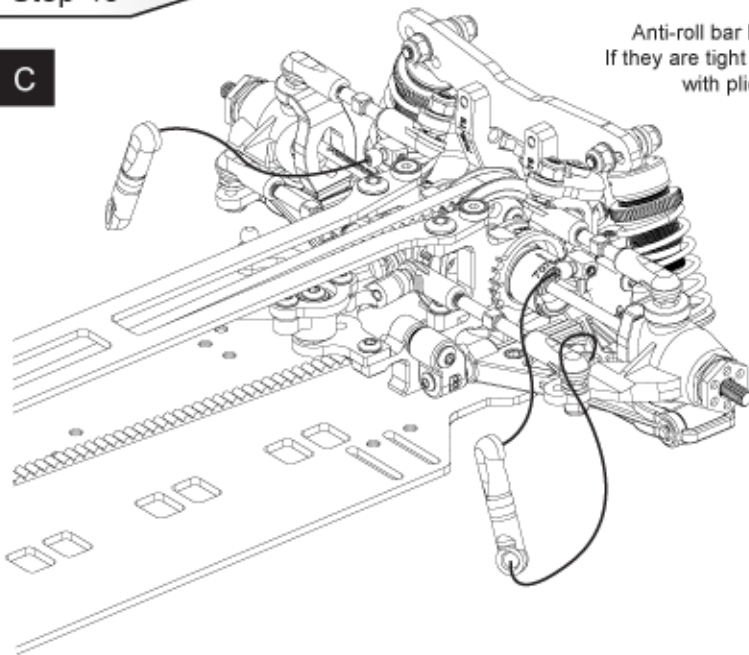


Carefully Adjust the grub screw to eliminate roll bar play
DO NOT OVERTIGHTEN

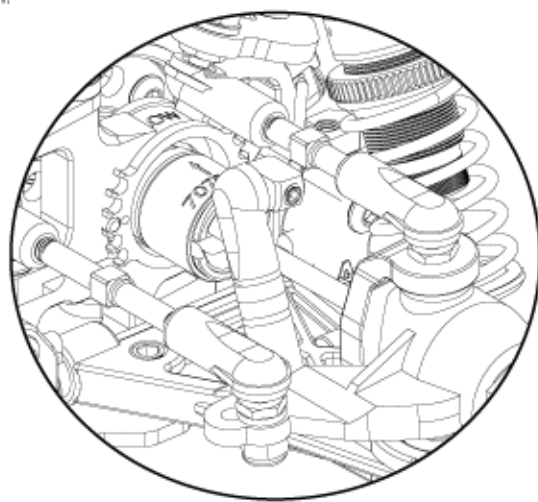


Step 40

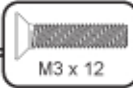
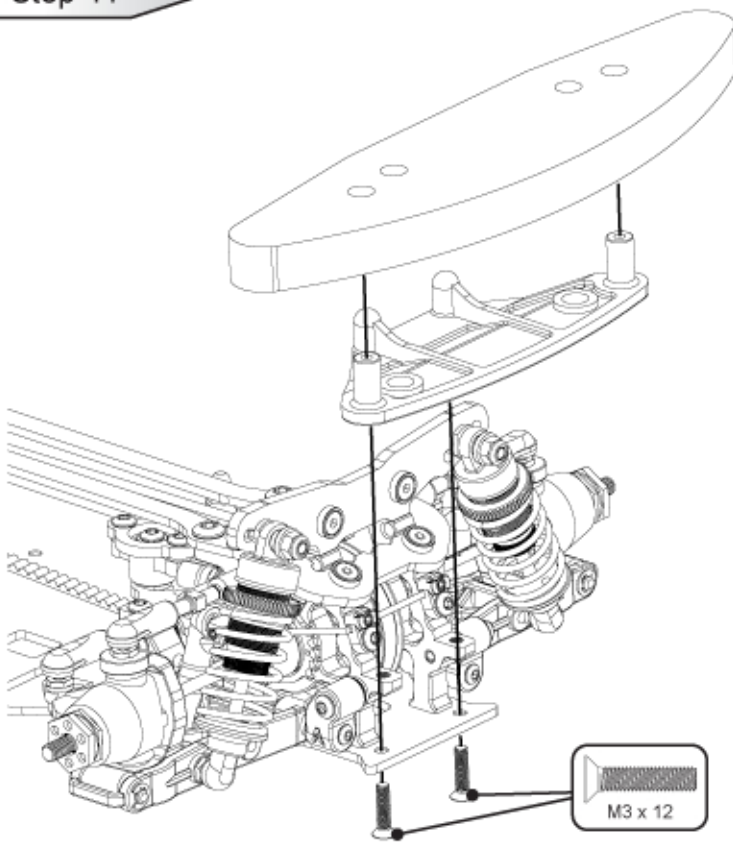
C



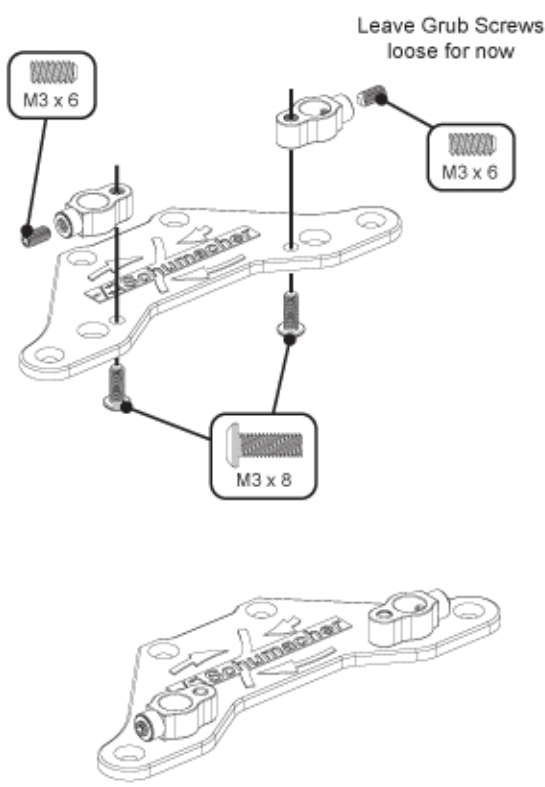
Anti-roll bar links should move freely.
 If they are tight on the balls squeeze them
 with pliers to loosen them.



Step 41

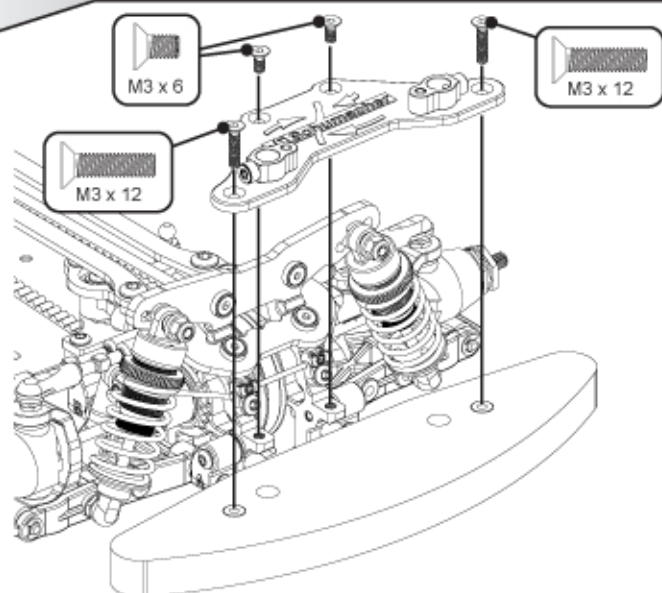


Step 42

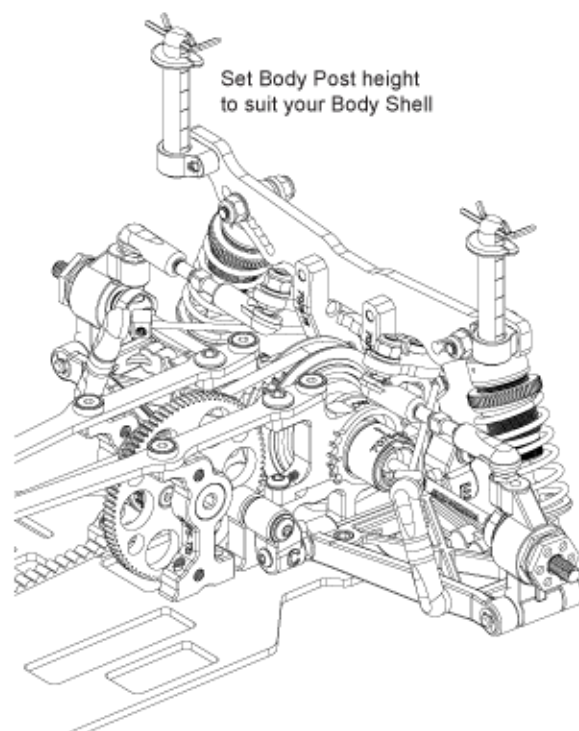
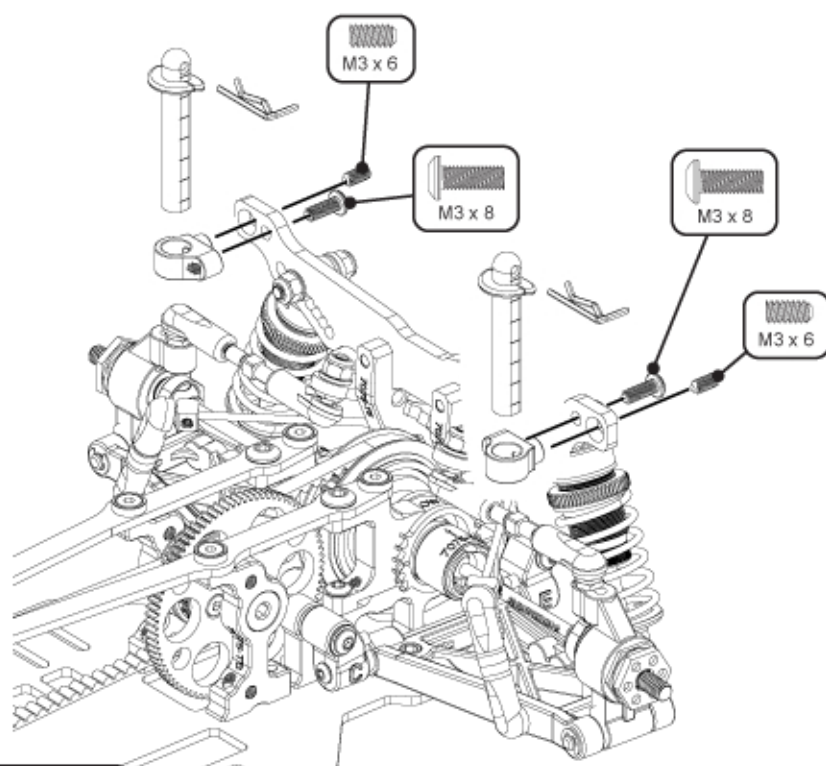
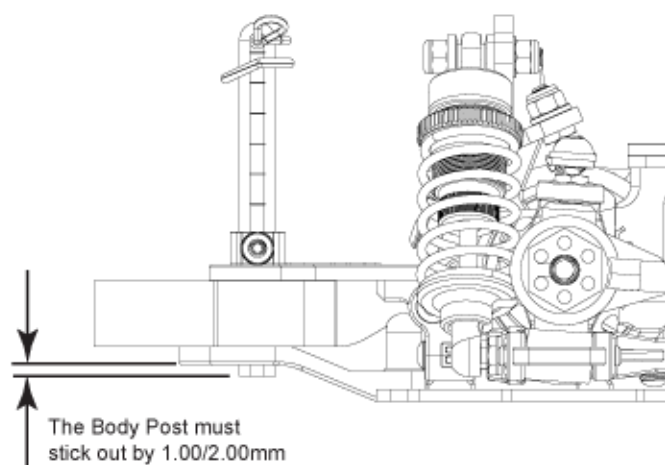
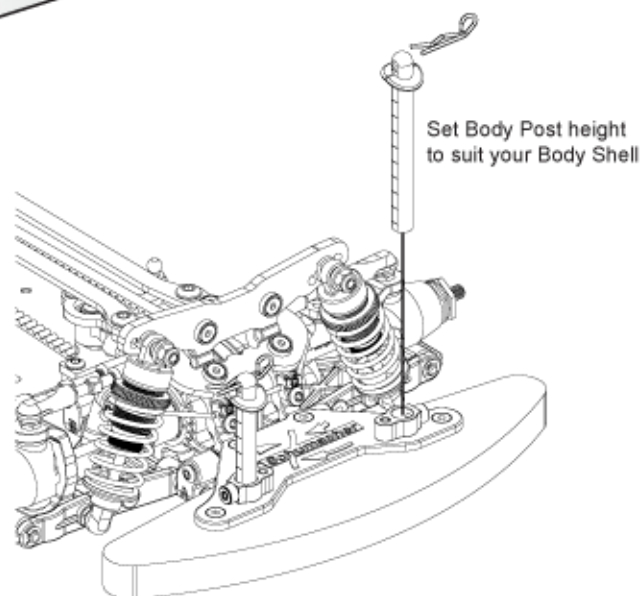


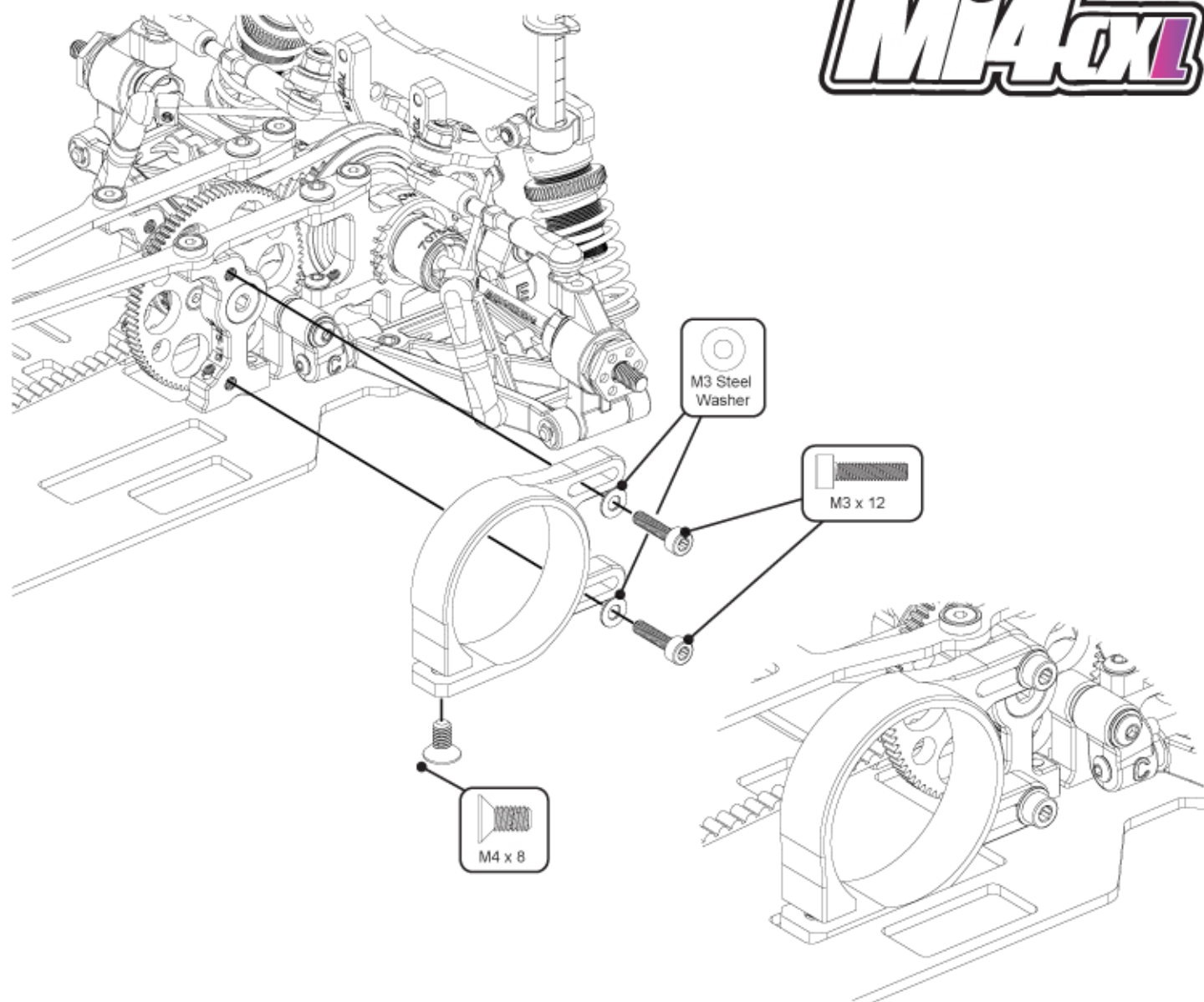
Leave Grub Screws
 loose for now

A



B

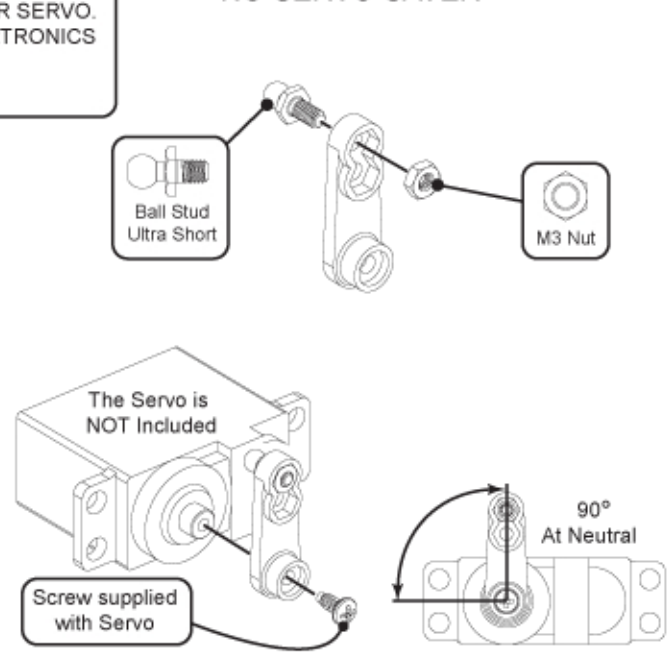
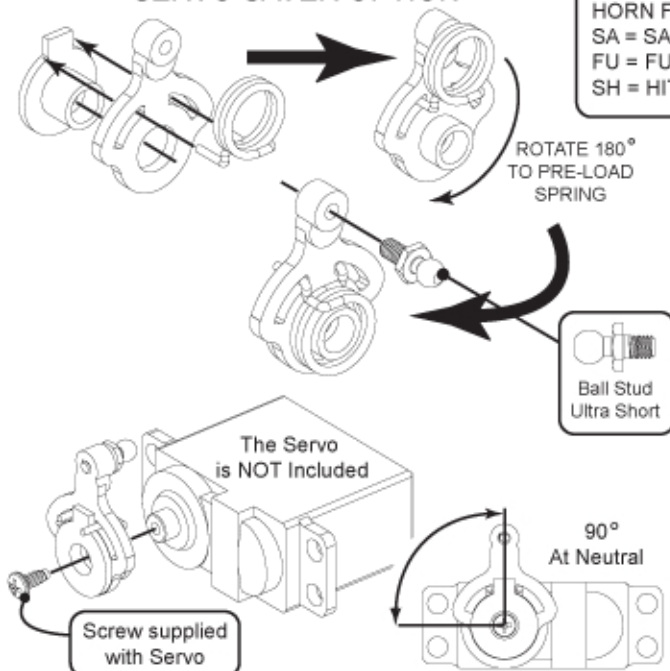




SERVO SAVER OPTION

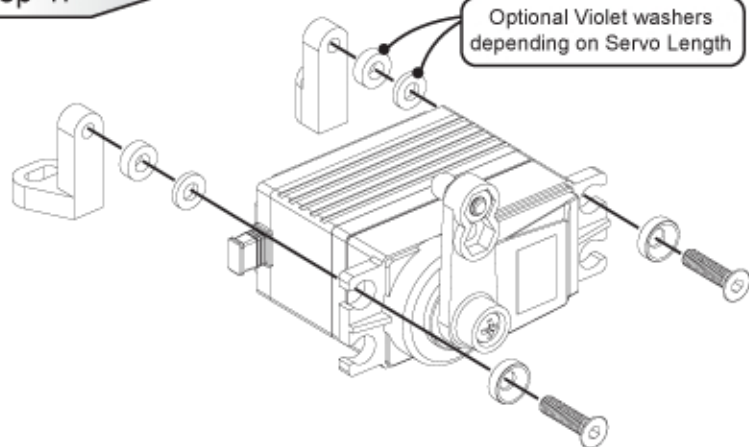
CHOOSE THE CORRECT HORN FOR YOUR SERVO.
 SA = SANWA/AIRTRONICS
 FU = FUTABA
 SH = HITEC

NO SERVO SAVER

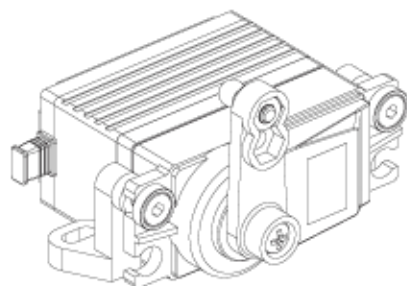


Step 47

Optional Violet washers depending on Servo Length



Mi4x4



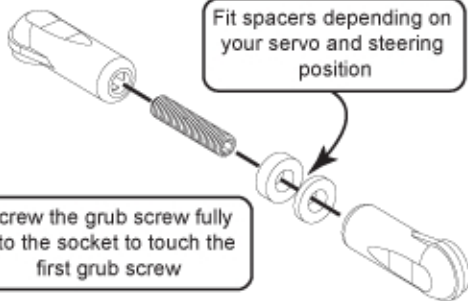
Step 48

A



Screw the grub screw fully into the socket

B



Screw the grub screw fully into the socket to touch the first grub screw

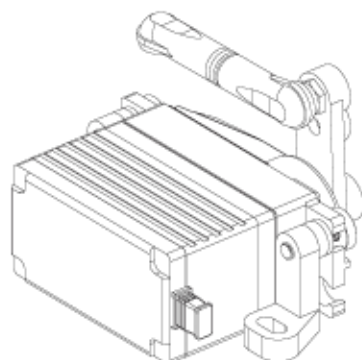
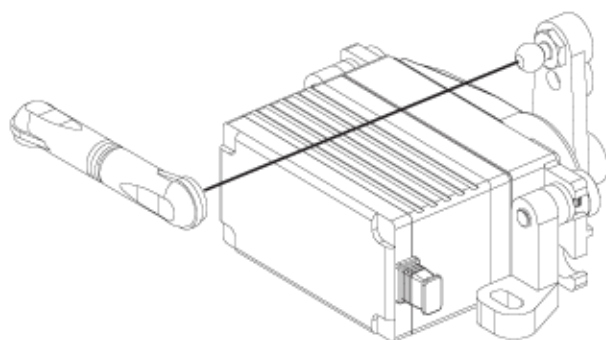
C



Depending on your servo and the position of the steering you may need to use the 24mm turnbuckle

Step 48

C



Step 49

A

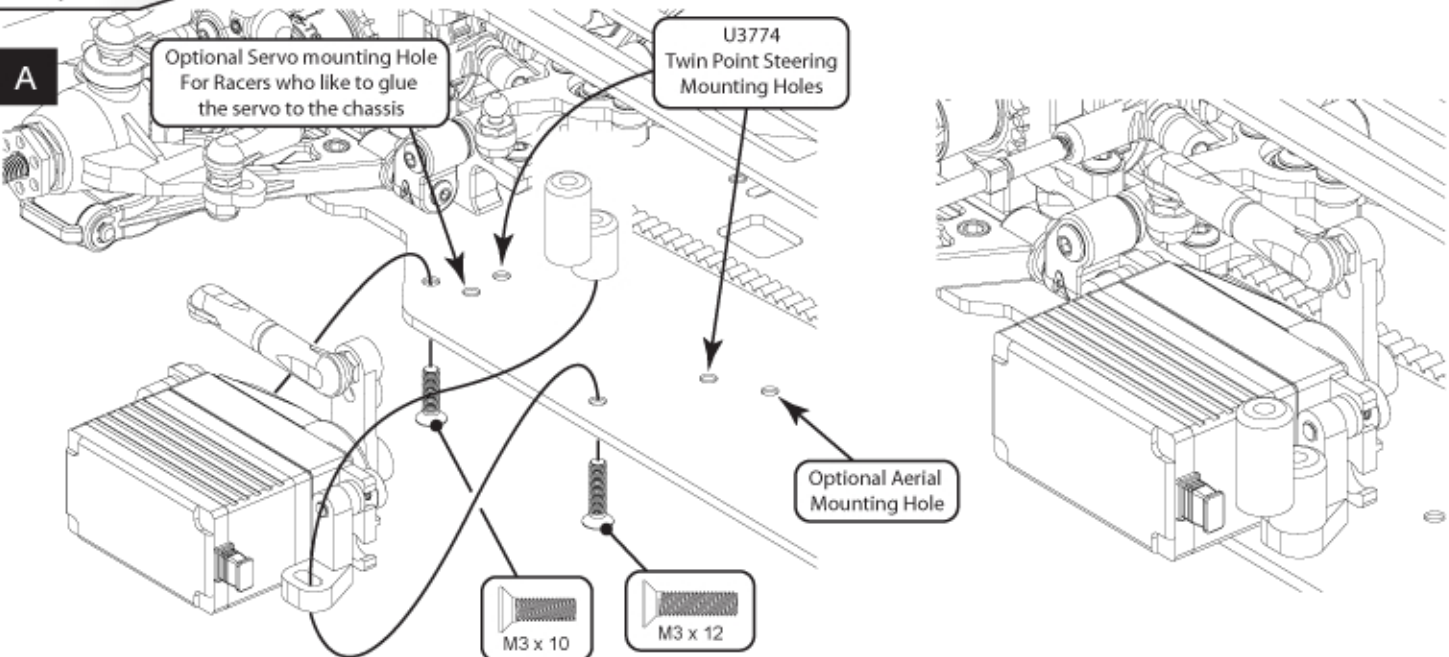
Optional Servo mounting Hole For Racers who like to glue the servo to the chassis

U3774 Twin Point Steering Mounting Holes

Optional Aerial Mounting Hole

M3 x 10

M3 x 12



B



Insert motor into clamp and tighten the clamp screw underneath the car Then adjust the gear mesh

Pinion and Grub Screw are NOT included in the kit

Receiver is NOT included in the kit

E.S.C is NOT included in the kit

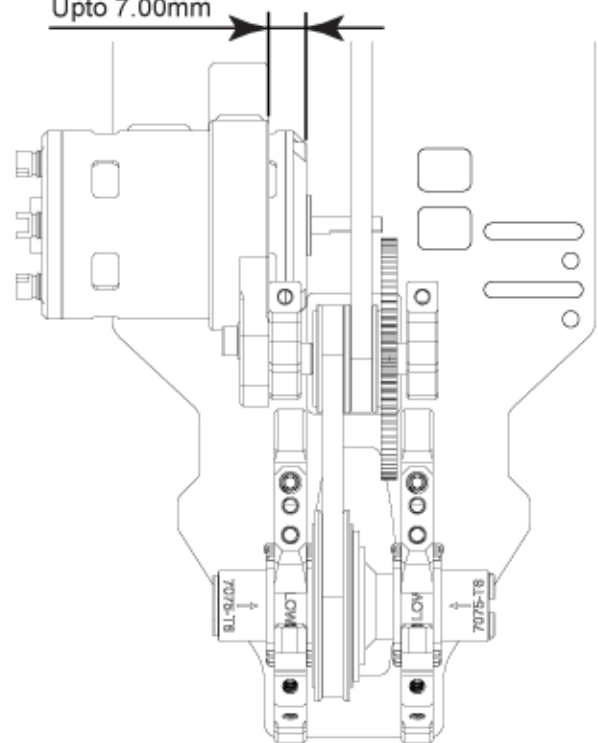
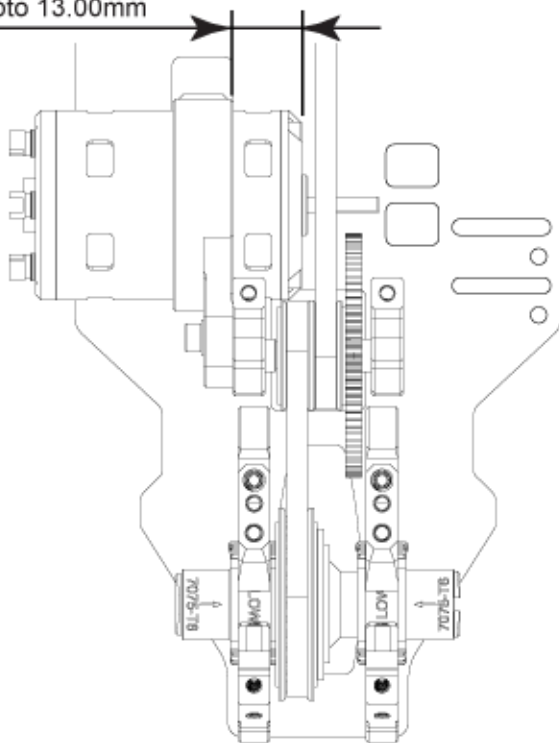
Motor is NOT included in the kit

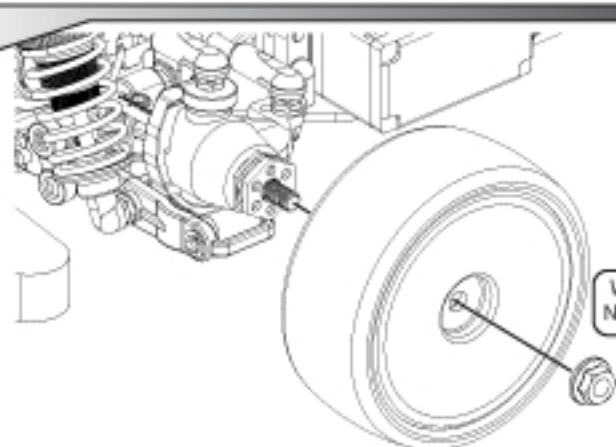
Drivetrain Option 1
Motor Position With Spur and Pinion
tooth sum of 109 or GREATER

Drivetrain Option 1
Motor Position With Spur and Pinion
tooth sum of LESS than 109

Upto 13.00mm

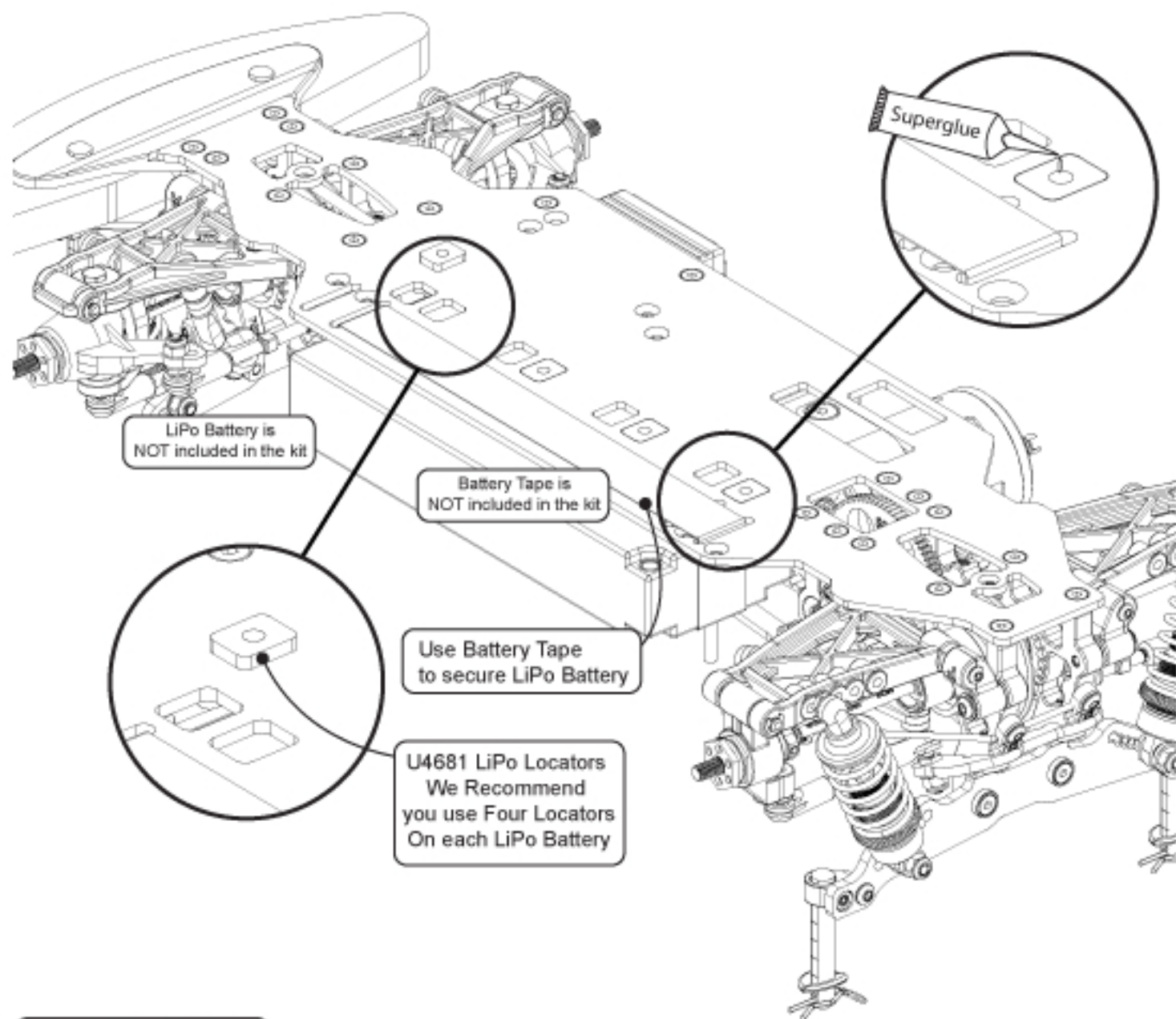
Upto 7.00mm



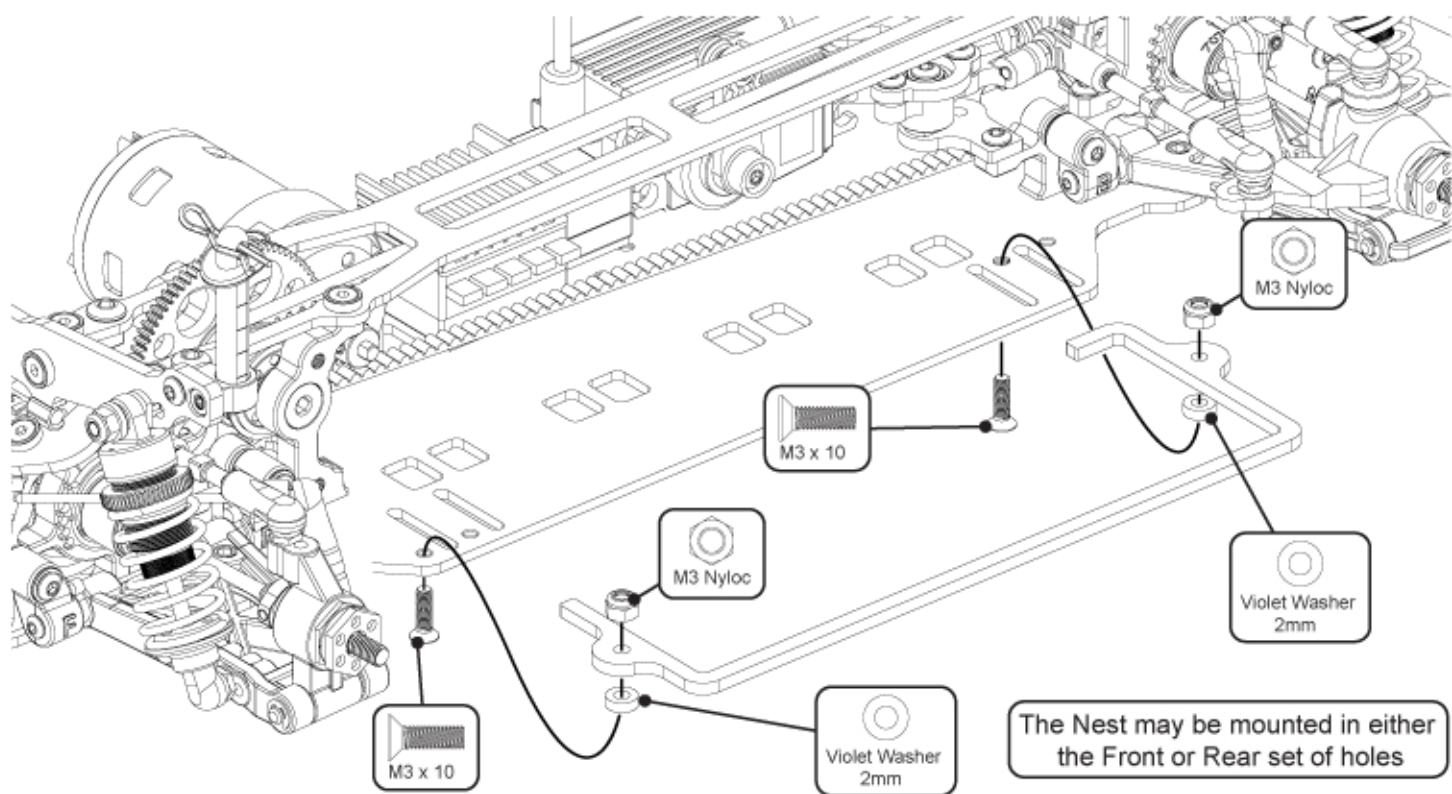


Wheels and Tyres are
NOT included in the kit

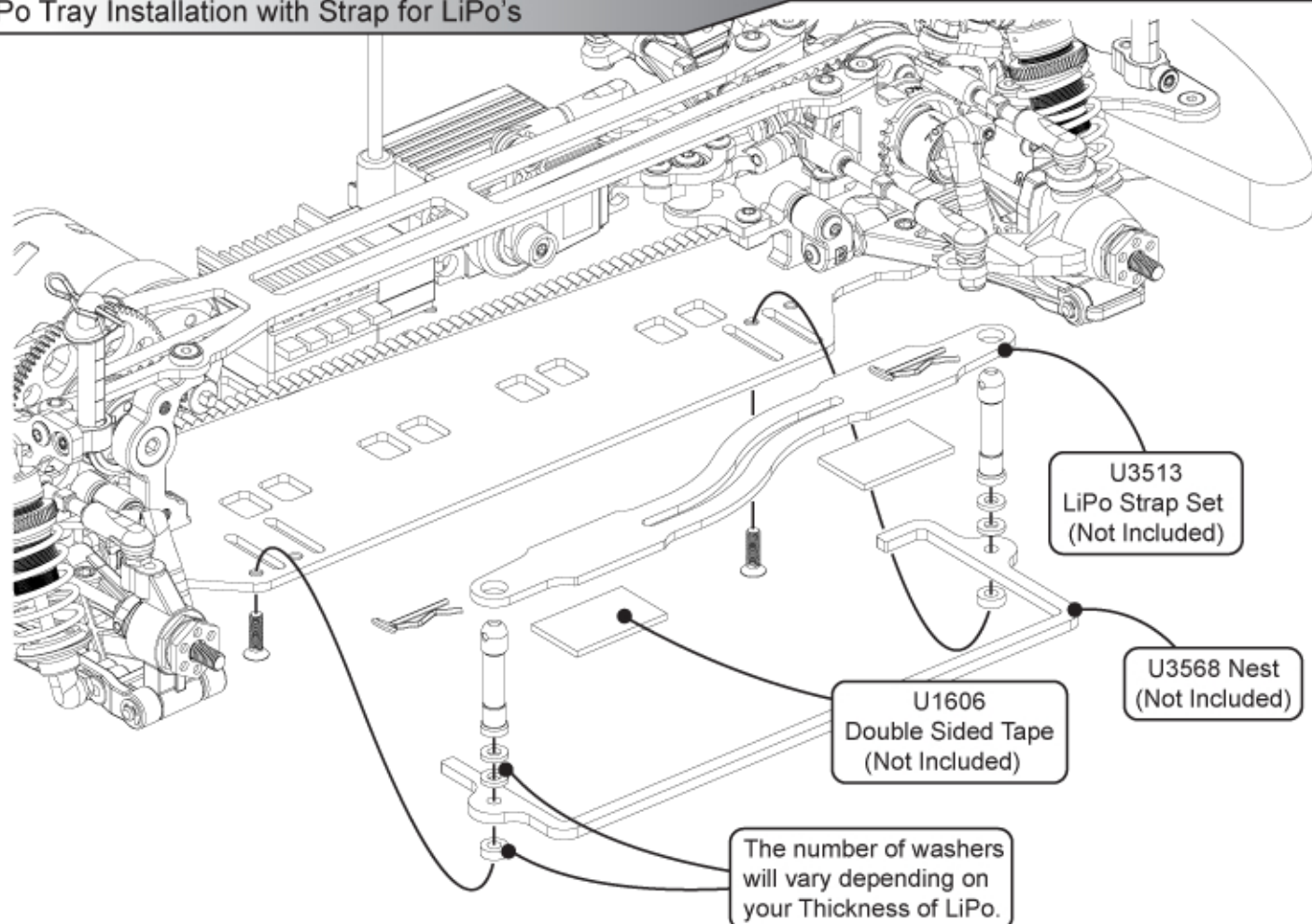
LiPo Installation With Tape and Locators



CR005 BLACK TAPE
CR006 BLUE TAPE
CR037 PURPLE TAPE
H1039 CLEAR TAPE
CR159 ORANGE TAPE

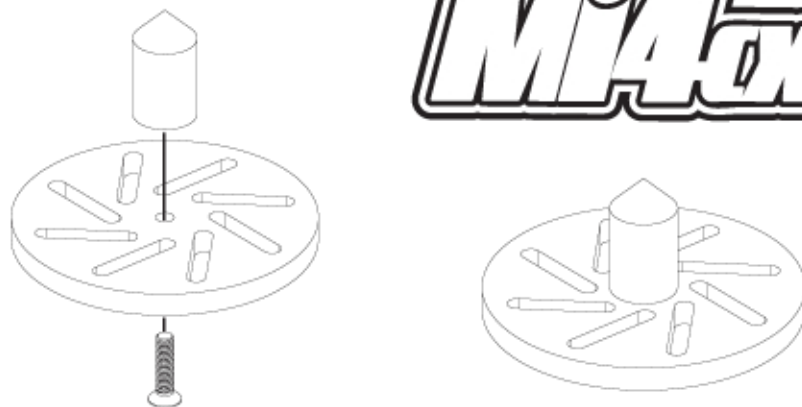


LiPo Tray Installation with Strap for LiPo's

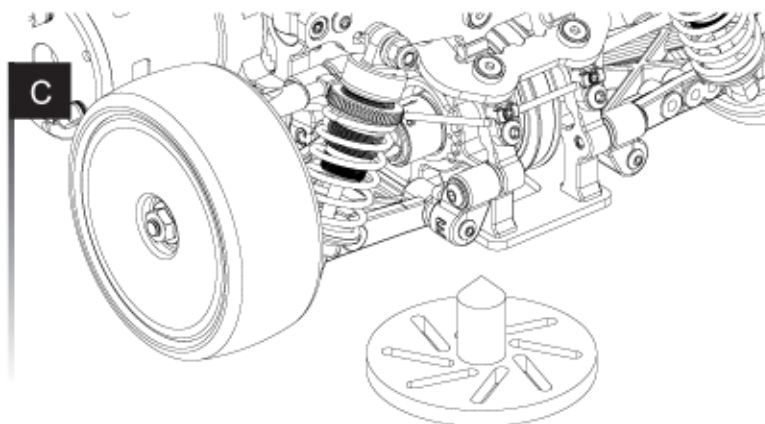
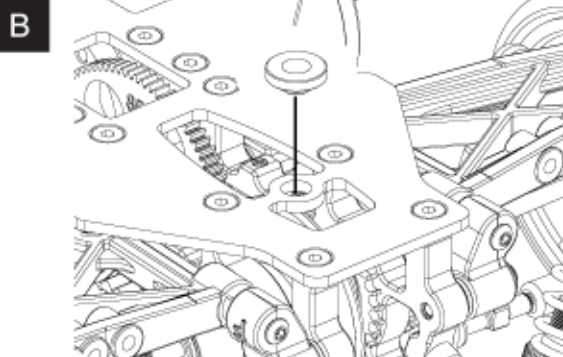


A The Balancing Jig, with the aid of a pair of scales, is used to accurately and independantly measure the corner weights of your car.

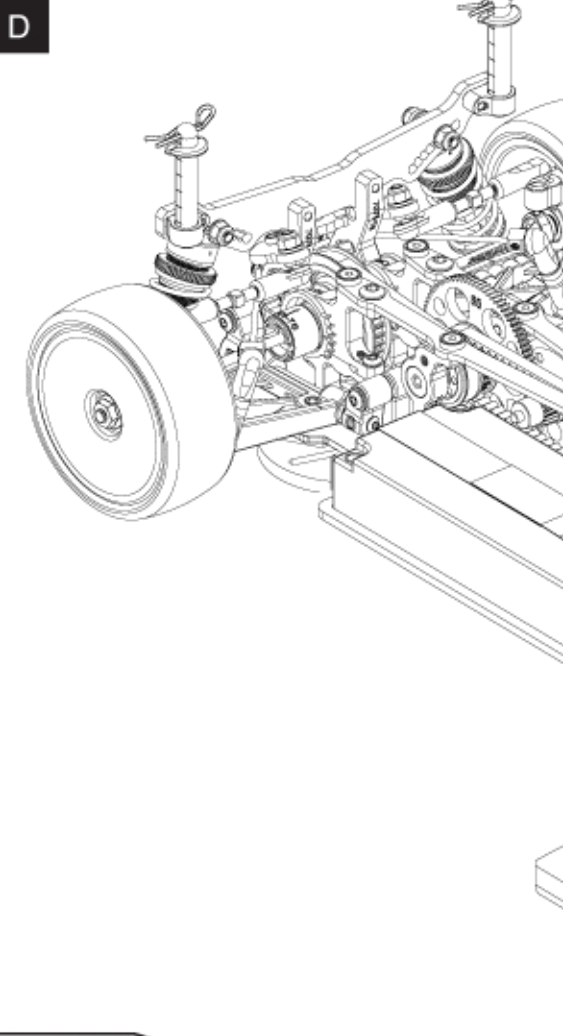
We use a Three point balancing system to eliminate any false readings caused by chassis tweak.



Car Balancing Jig U3582



Car Balancing Jig U3582



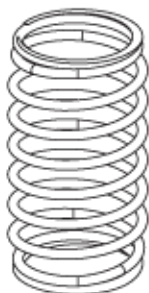
First you must accurately set the ride height of your car.
 Then place the Pivot Bush in the chassis hole (B).
 For balancing the front of the car place the bush in the rear hole and Visa versa.
 Locate the balance Jig into the pivot bush (C).
 Place the other end of the car on a pair of identical scales (D).
 The car Must be Horizontal so raise either the scales or the balance jig to acheive this.
 Read off the two scales and add or remove weights until both figures are the same.

Track Settings



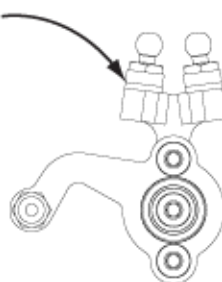
Springs

The spring rate controls the suspension stiffness. Spring adjusters only change the ride height. They DO NOT alter the suspension stiffness. On slippery or bumpy tracks use soft to medium rate springs, on flat or high grip tracks run medium to hard rate springs.



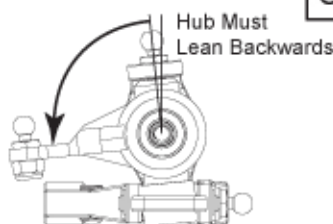
Steering

By Adding and removing the washers under the ball joint, you alter the cars Ackerman and steering response. Adding washers will make the steering more aggressive, where less washers will make for a softer response.



Front Castor

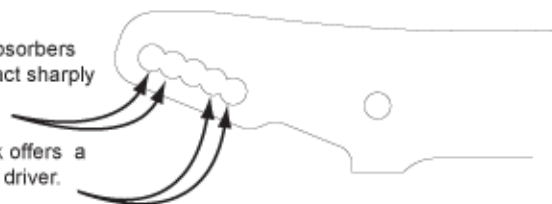
The front castor can be altered by changing the yoke. The car comes with 4° castor as standard. Less castor will give a quicker steering response, but could lead to power on understeer. More castor will give the opposite, slightly slower turn in, but more power on steering. Also using the flexible yokes gives more overall steering.



Shock Brackets (Shock Mounting)

Vertical shock absorbers make the car react sharply to driver inputs.

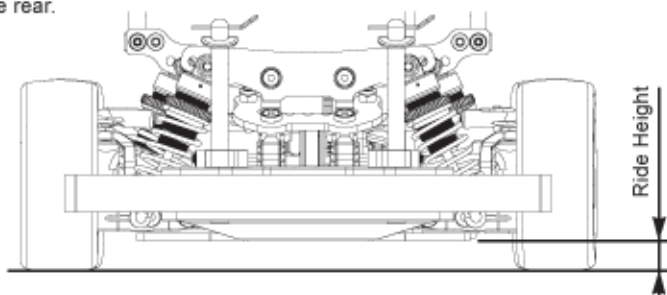
A laydown shock offers a softer feel to the driver.



Ride Height

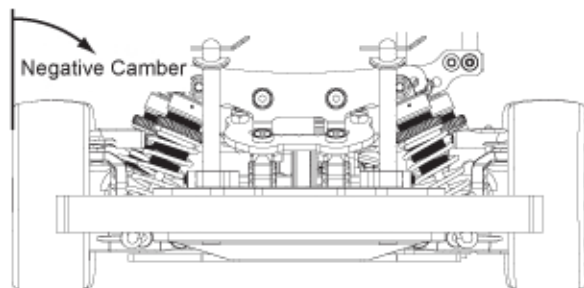
In general always run the car as low as possible, without the chassis grounding out, as it rolls into corners.

A good starting point with rubber tyres is 5.5mm at the front and 6.0mm at the rear.



Front and Rear Camber

With maximum negative camber the car will have high levels of grip, but there may be the possibility of sudden breakaway in corners. Reducing the camber gives a more progressive slide, but may give less grip.

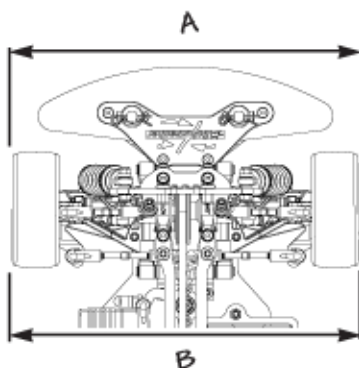


Front Toe-in

The front toe-in is set by adjusting the steering trackrod turnbuckles.

Toe-In = A less than B
Toe-Out = A greater than B

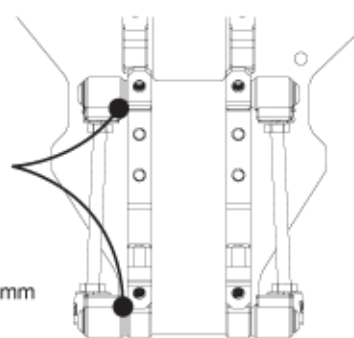
Toe-in will give a more stable car, but will give less sharp turn in. Toe-out will give the opposite, less stability with sharper turn in to the corners. We recommend to start at about 0° or 1° toe-out.



Front and Rear Track Width

TRACK WIDTH ADJUSTMENT (In-board)

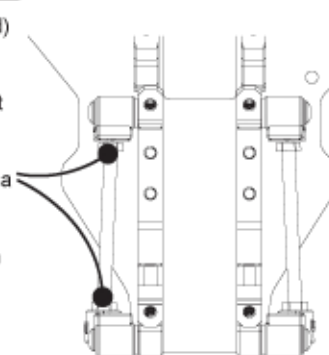
The track width of the car may be altered by adding or removing EQUAL thickness grey suspension washers between the Screw blocks and the transmission housings. When changing the track width ensure the driveshafts are fully engaged in the Diff outputs. And the width does not exceed 190mm



Front and Rear Wheelbase

WHEELBASE ADJUSTMENT (In-board)

The wheelbase may be adjusted by moving the Qwik clips to either the front or the back of the wishbones. Shorter wheelbase results in a more agile car, but use longer wheelbase for a smoother less aggressive car. Also moving the wishbone forwards and backwards alters the weight distribution at either end of the car, this results in more or less traction, and more or less steering.

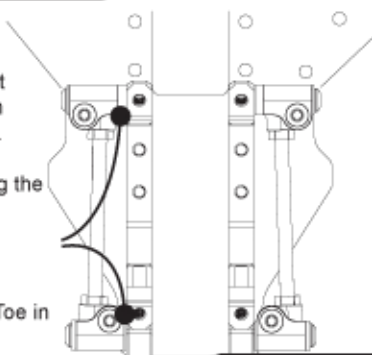


Front and Rear Inboard Toe-in

USING OPTIONAL ALLOY PIVOT BLOCKS

More inboard toe in will improve straight ahead traction and car stability, but can reduce corner speed on fast sweepers.

The toe-in is set by adding or removing the grey suspension washers between the Screw blocks and the transmission housings, at the front or rear of the wishbones. Each 0.50mm washer will change the Toe in by Approx 0.60°



Kit Standard



Carpet Spec



TOP DECKS

These two Top Decks allow tuning the balance of the car for various Surfaces.

Gear Chart 48dp

Maximum Tooth Sum = 128.....Minimum Tooth Sum = 91.....Internal Ratio = 1.8:1

	14	15	16	17	18	19	20	21	22	23	24	25	26	27	28	29	30	31	32	33	34	35	36	37	38	39
89	11.44	10.68	10.01	9.42	8.90	8.43	8.01	7.63	7.28	6.97	6.68	6.41	6.16	5.93	5.72	5.52	5.34	5.17	5.01	4.85	4.71	4.58	4.45	4.33	4.22	4.11
87	11.19	10.44	9.79	9.21	8.70	8.24	7.83	7.46	7.12	6.81	6.53	6.26	6.02	5.80	5.59	5.40	5.22	5.05	4.89	4.75	4.61	4.47	4.35	4.23	4.12	4.02
85	10.93	10.20	9.56	9.00	8.50	8.05	7.65	7.29	6.95	6.65	6.38	6.12	5.88	5.67	5.46	5.28	5.10	4.94	4.78	4.64	4.50	4.37	4.25	4.14	4.03	3.92
70								6.00	5.73	5.48	5.25	5.04	4.85	4.67	4.50	4.34	4.20	4.06	3.94	3.82	3.71	3.60	3.50	3.41	3.32	3.23
66												4.75	4.57	4.40	4.24	4.10	3.96	3.83	3.71	3.60	3.49	3.39	3.30	3.21	3.13	3.05

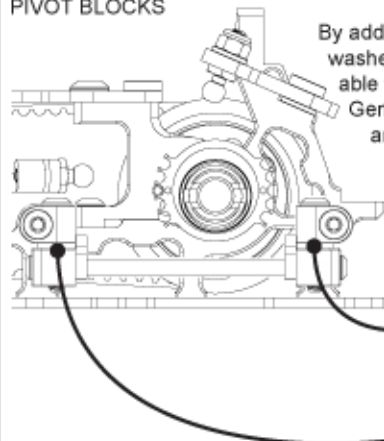
Gear Chart 64dp

Maximum Tooth Sum = 170.....Minimum Tooth Sum = 121.....Internal Ratio = 1.8:1

	19	20	21	22	23	24	25	26	27	28	29	30	31	32	33	34	35	36	37	38	39	40	41	42	43	44	45	46	47	48	49	50
118	11.18	10.62	10.11	9.65	9.23	8.85	8.50	8.17	7.87	7.59	7.32	7.08	6.85	6.64	6.44	6.25	6.07	5.90	5.74	5.59	5.45	5.31	5.18	5.06	4.94	4.83	4.72	4.62	4.52	4.43	4.33	4.25
116	10.99	10.44	9.94	9.49	9.08	8.70	8.35	8.03	7.73	7.46	7.20	6.96	6.74	6.53	6.33	6.14	5.97	5.80	5.64	5.49	5.35	5.22	5.09	4.97	4.86	4.75	4.64	4.54	4.44	4.35	4.26	4.18
114	10.80	10.26	9.77	9.33	8.92	8.55	8.21	7.89	7.60	7.33	7.08	6.84	6.62	6.41	6.22	6.04	5.86	5.70	5.55	5.40	5.26	5.13	5.00	4.89	4.77	4.66	4.56	4.46	4.37	4.28	4.19	4.10
106	10.04	9.54	9.09	8.67	8.30	7.95	7.63	7.34	7.07	6.81	6.58	6.36	6.15	5.96	5.78	5.61	5.45	5.30	5.16	5.02	4.89	4.77	4.65	4.54	4.44	4.34	4.24	4.15	4.06	3.98	3.89	3.82
96									6.17	5.96	5.76	5.57	5.40	5.24	5.08	4.94	4.80	4.67	4.55	4.43	4.32	4.21	4.11	4.02	3.93	3.84	3.76	3.68	3.60	3.53	3.46	
90												5.23	5.06	4.91	4.76	4.63	4.50	4.38	4.26	4.15	4.05	3.95	3.86	3.77	3.68	3.60	3.52	3.45	3.38	3.31	3.24	

Front Inboard Pin Options

USING OPTIONAL ALLOY PIVOT BLOCKS



ROLL CENTRE ADJUSTMENT

By adding or removing the Grey Suspension washers between the pivot blocks you are able to change the height of the roll centre. Generally a lower pin will give more grip, and a higher pin will reduce grip.

KICK UP OR ANTI-DIVE

The best balance on the car is usually with a level wishbone pin, however a small amount of anti-dive can improve stability under braking

By adding the Grey Suspension washer at the front of the wishbone you will get anti-dive. 0.5mm = 0.5°

By adding the Grey Suspension washer at the rear of the wishbone you will get kick-up. 0.5mm = 0.5°

Rear inboard Pin Options

USING OPTIONAL ALLOY PIVOT BLOCKS

ROLL CENTRE ADJUSTMENT

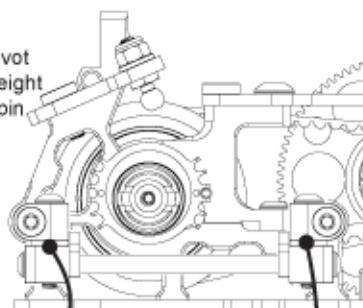
By adding or removing the Grey Suspension washers between the pivot blocks you are able to change the height of the roll centre. Generally a lower pin will give more grip, and a higher pin will reduce grip.

SQUAT OR ANTI-SQUAT

The best balance on the car is usually with a level wishbone pin, however a small amount of Anti Squat can improve on power traction.

By adding the Grey Suspension washer at the rear of the wishbone you will get Anti-Squat. 0.5mm Difference = 0.5°

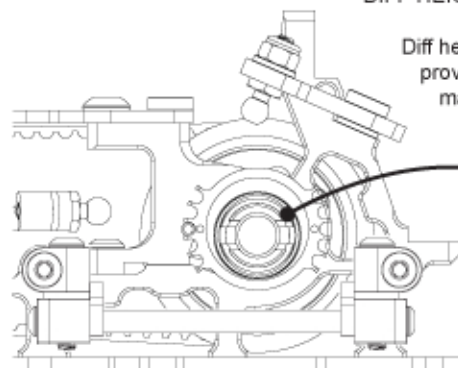
By adding the Grey Suspension washer at the front of the wishbone you will get Pro-Squat. 0.5mm Difference = 0.5°



Diff Height (High or Low)

DIFF HEIGHT

Diff height adjustment is provided so that the car may run level driveshafts at ride height with different diameter tyres.



Front and Rear Suspension Link

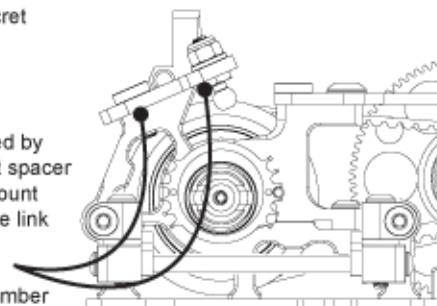
WIDTH ADJUSTMENT

The width of the inboard suspension link can be altered by Speed Secret link Brackets

HEIGHT ADJUSTMENT

The height of the inboard suspension link can be altered by adding or removing the violet spacer washers, between the link mount and the ball stud, or under the link mount bracket.

This adjustment alters the camber gain of the suspension, generally a lower ball stud (or shorter link) gives more instant cornering grip followed by a sudden breakaway, whereas a higher ball (or longer link) gives smoother more progressive cornering grip.



Electric - Touring Cars

K127	Mi4-CXL - Pro CF 1/10 4WD Touring - Kit
K128	Mi4-CXL - Pro CF 4WD Touring - Assembled
K129	Mi4-CXL - Pro S1 4WD Touring - Kit
K130	Mi4-CXL - Pro S1 4WD Touring - Assembled

Chassis Parts

U1042	Aerial Mount - Universal
U119	Aerial Tube - Pack 4
U2231	Servo Horns
U2480	Body Posts and R Clips (pk 4)
U3154	Foam Bumper - Mi4
U3155	Front Bumper Mouldings - Mi4
U3158	Alloy Body Post Mounts; Horizontal (pr)
U3159	Alloy Body Post Mounts; Vertical (pr)
U3489	Servo Mounts - Mi4LP (pr)
U3571	Alloy Servo Mounts - Mi4LP
U3904	Top Deck Mount Long - Mi4CXL
U3905	C/F Rear Shock Mount - Mi4CXL
U3911	Manual - Mi4CXL
U3913	C/F Top Deck - Mi4CXL (Kit)
U3914	C/F Top Deck Carpet - Mi4CXL
U3915	C/F Chassis 2.00mm Soft Weave - Mi4CXL (Kit)
U3916	C/F Chassis (Stiff) - Mi4CXL
U3931	C/F LiPo Locators - Mi4CXL
U3932	C/F LiPo Strap and Locators

Bodyshells and Decals

EC13810BSI	East Coast Rear Body Supports
EC13810W1A	East Coast Side Body Supports
EC13810W1B	East Coast Body Stiffeners 5pcs
EC16283121	East Coast - Body; is250 190mm
EC16283122	East Coast - Body; Euro-R 190mm
EC16283123	East Coast - Body; 320si 190mm
EC16283129	East Coast - Body; Evo9x 190mm
EC16283212	East Coast - Body; Euro-R 200mm
EC162832D6	East Coast - Body; 350Z 190mm
EC162832D8	East Coast - Body; RX7 190mm
EC162832D9	East Coast - Body; S15 190mm
EC168M609	East Coast Body; 2009 M-Speed 6 - 190mm
EC168M609L	ECLight Body; 2009 M-Speed 6 - 190mm
EC38826B	East Coast - Half Paint; Blue; Speed 6 190mm
EC38826R	East Coast - Half Paint; Red; Speed 6 190mm
MR-WING	MR33 Touring Wing
U3478	Decal sheet - Schumacher and Racing-Cars.Com (pk3)
U3912	Decal Sheet - Mi4CXL (pk3)

Springs

G882	Spec-R Touring Spring Set-Soft 2.5-2.8
U2823	Pro-Touring Springs - White 14 lbs
U2824	Pro-Touring Springs - Blue 16lbs
U2825	Pro-Touring Springs - Green 18 lbs
U2826	Pro-Touring Springs - Red 20 lbs
U2827	Pro-Touring Springs - Yellow 23 lbs
U2828	Pro-Touring Springs - Purple 27 lb

Big Bore Shocks

U3670	Big Bore Shock; 2 Hole Pistons pr
U3671	Big Bore Shock; 4 Hole Pistons pr
U3672	Big Bore Shock; 6 Hole Pistons pr
U3770	Big Bore Rounded Pistons; 3 Hole pr
U3771	Big Bore Rounded Pistons; 5 Hole pr
U3775	Big Bore Shocks Assembled - Touring - Pair
U3782	HD Diaphragm - pk4
U3783	Big Bore Shock Body; Touring pr
U3784	Big Bore Shock Cap; Touring pr
U3785	Big Bore Shock Rods; Touring pr
U3786	Big Bore Shock Seal Rebuild Kit; Touring pr
U3776	Big Bore Spring Tuning Set - 5prs
U3777	Big Bore Springs; 14lb/in pr
U3778	Big Bore Springs; 16lb/in pr
U3779	Big Bore Springs; 17lb/in pr
U3780	Big Bore Springs; 20lb/in pr
U3781	Big Bore Springs; 23lb/in pr

Shock Absorbers

U2993	Race Shock Body; Nickel Teflon (pr)
U2994	Race Shock Collar; threaded adjuster (pr)
U2995	Race Shock Piston - Trg 2 Hole (pr)
U2996	Race Shock Piston - Trg 3 Hole (kit std) pr
U2997	Race Shock Rod; Ti-Nitride - 30mm (pr)
U2998	Race Shock Seal Housing; On Road (pr)
U2999	Race Shock Seal Rebuild Pack (pr)
U3001	Race Shocks; fully assembled pair
U3284	Race Shock Top Cap (pr) - Black Unvented
U3937	Shock Mouldings

Shock and Diff Oil

G030	Pure Silicone Shock Oil - 30w
G035	Pure Silicone Shock Oil - 35w
G040	Pure Silicone Shock Oil - 40w
G045	Pure Silicone Shock Oil - 45w
G050	Pure Silicone Shock Oil - 50w
G055	Pure Silicone Shock Oil - 55w
G060	Pure Silicone Shock Oil - 60w
G070	Pure Silicone Shock Oil - 70w
G080	Pure Silicone Shock Oil - 80w
G100	Pure Silicone Shock Oil - 100w
MR-GEARA	MR33 Gear Oil A
MR-GEARB	MR33 Gear Oil B
MR-GEARC	MR33 Gear Oil C

Bearings and Balls

G200	ZX1 - Microlube
H1031	Bearing Blaster Aerosol 500ml
U1301	Silicone Diff Lube - Pot
U1411	Ball Bearing - 4x8x3 Non Fl. (pr)
U1439	Ball Bearing - 5x9x3 Non Fl. (pr)
U1954	Pro - Thrust Bearing
U1957	Moly Axle Grease - Pot
U2148	Ball Bearing - 5x10x4 Shielded (pr)
U2189	Wheel Bearings 8pcs 10x5x4+Shim Set
U2574	Ball Bearing - 5x9x2.5 (pr)
U2862	Ceramic Bearing - 5x10x4 Shielded (pr)
U3016	Ball Bearing - 10x15x4 (pr)
U3017	Ceramic Bearing - 10x15x4 (pr)
U3019	Ceramic Nitride Diff Balls 2.5mm (pk12)
U3136	Ball Bearing - 5x8x2.5 (pr)
U3386	Ceramic Bearing - 4x8x3 (pr)
U3520	Ceramic Bearing set - Mi4 - 14pcs

Transmission

U1895	M3x8mm Button Screws and Washers pk4
U2573	Pro-Diff Screw Set
U2721	Rear Belt; Black Mod 60tx3.6mm
U2761	Diff Shims; 10x12
U3011	Front Belt; 171tx3.6mm
U3012	Front Belt; Grey Stock 171tx3.6mm
U3013	Rear Belt; Grey Stock 60tx3.6mm
U3140	Diff Washer; ProSpec - Mi4 (pr)
U3160	85T 48DP CNC Spur Gear - Mi4
U3161	87T 48DP CNC Spur Gear - Mi4
U3162	89T 48DP CNC Spur Gear - Mi4
U3163	114T 64DP CNC Spur Gear - Mi4
U3165	118T 64dp CNC Spur Gear - Mi4
U3170	Pins and Shims; Axle - Mi4 4pr
U3247	70T 48DP CNC Spur Gear - Mi4
U3248	96T 64dp CNC Spur Gear - Mi4
U3269	90T 64DP CNC Spur Gear - Mi4
U3270	106T 64DP CNC Spur Gear - Mi4
U3400	66T 48DP CNC Spur Gear - Mi4
U3505	Alloy Motor Clamp - Mi4
U3508	CNC Diff Pulley and Fences; 36T - Mi4LP
U3510	CNC Spool Pulley only - Mi4LP
U3525	Alloy Wheel Hex - Mi4 (pr)
U3560	74T 48DP CNC Spur Gear Mi4
U3814	Slider Insert - Mi4CX (pk 4)
U3815	Slider Ring - Mi4CX (pr)
U3819	Alloy Eccentric - Mi4CX (pr)
U3820	Alloy Diff Output; Male - Mi4CX
U3821	Alloy Diff Output; Female - Mi4CX
U3823	Driveshaft; Steel Front - Mi4CX (pr)
U3824	Driveshaft; Steel Rear - Mi4CX (pr)
U3825	Spool; Complete Assembled - Mi4CX
U3826	Spool Spindle - Mi4CX
U3831	Diff; Pro-Spec Assembled - Mi4CX
U3834	Rear Transmission Housing - Mi4LP
U3835	Driveshaft; Pivot;Pin;Screw - Mi4CX 1pc
U3836	Driveshaft; Steel Axle Front - Mi4CX 1pc
U3837	Driveshaft; Steel Axle Rear - Mi4CX 1pc
U3838	Driveshaft; Steel Bone Front - Mi4CX 1pc
U3906	Driveshaft; Steel Bone Rear - Mi4CX 1pc
U3907	Layshaft & Bush - Mi4CXL
U3907	Alloy Pulley 20T - Mi3/Mi4
U3908	Rear Transmission Housing - Mi4CXL (1pc)
U3909	Layshaft Mount - Mi4CXL (1pc)
U3910	Front Transmission Housing - Mi4CXL (1pc)
U3930	Pulley Fences 20T

Suspension

U1440	Pro Pin; grooved 1/8x25mm (pr)
U2664	Steering Yoke Pivot Set - 2 pairs
U2718	Pro Pin; Grooved 1/8x18mm (pr)
U2736	Steering Yoke; 2 degree - Mi4 pr
U2737	Steering Yoke; Kit Std 4 degree - Mi4 pr
U2750	Droop Screw; M5x8mm pk4
U2882	Servo Saver Set; Light and Heavy Springs
U2990	Front Hub Carrier - Mi4
U2992	Rear Hub Carrier - Mi4

Suspension cont....

U3129	Alloy Block; Screw - Mi4 (pr)
U3130	Alloy Block; Pivot - Mi4 (pr)
U3137	Shock Mounting Post - (pr)
U3142	Pro Pivot Pin - 55mm - Mi4 (pr)
U3209	Turnbuckle Adjuster; Gold - 24mm (pr)
U3210	Turnbuckle Adjuster; Gold - 35mm (pr)
U3212	Turnbuckle Adjuster; Gold - 45mm (pr)
U3494	Suspension Pivot Blocks; set 8 - Mi4
U3495	Ball Studs; Ultra Short - pk 4
U3496	Ball Studs; Short - pk 4
U3497	Ball Studs; Long - pk 4
U3499	Roll Bar Blocks - Mi4 pk4
U3500	Pro-Ball Socket; Black - pk 8
U3501	C/F Steering Arm and Mount - Mi4
U3522	C/F Shock Bracket; Front - Mi4
U3523	C/F Shock Bracket; Rear - Mi4
U3526	C/F Upper Link Mount; 45mm 1gr - Mi4
U3527	C/F Upper Link Mount; 42mm 2gr - Mi4
U3528	C/F Upper Link Mount; 39mm 3gr - Mi4
U3530	Steering Yoke; Xtra Flex 4 degree (pr)
U3577	S1 Mounts; Strg and Upper Link - Mi4LP-Race
U3748	Steering Yoke; Med Flex 4 degree (pr)
U3799	C/F Link Mount; 37mm 4 gr - Mi4
U3917	Front Wishbone C/F - Mi4CXL
U3918	Front Wishbone Med - Mi4CXL
U3919	Rear Wishbone C/F - Mi4CXL
U3920	Rear Wishbone Med - Mi4CXL
U3921	Front Roll Bar Set - Mi4CXL
U3922	Rear Roll Bar Set - Mi4CXL
U3923	Steering Housing and Pivot - Mi4CXL

Speed Packs

CR024	CORE RC - Serrated M4 Steel Wheel Nut pk4
CR035	CORE RC - Serrated Alloy M4 Nuts; Blue pk 4
CR036	CORE RC - Serrated Alloy M4 Nuts; Purple pk 4
CR061	Small Body Clip 1/10 - Silver (8)
CR062	Small Body Clip 1/10 - Gold (8)
CR063	Small Body Clip 1/10 - Fluorescent Yellow (8)
CR064	Small Body Clip 1/10 - Fluorescent Green (8)
CR065	Small Body Clip 1/10 - Fluorescent Red (8)
CR066	Small Body Clip 1/10 - Metallic Green (8)
CR067	Small Body Clip 1/10 - Metallic Red (8)
CR069	Small Body Clip 1/10 - Metallic Purple (8)
CR071	Big Body Clip 1/10 - Silver (8)
CR072	Big Body Clip 1/10 - Gold (8)
CR073	Big Body Clip 1/10 - Fluorescent Yellow (8)
CR074	Big Body Clip 1/10 - Fluorescent Green (8)
CR075	Big Body Clip 1/10 - Fluorescent Red (8)
CR076	Big Body Clip 1/10 - Metallic Green (8)
CR077	Big Body Clip 1/10 - Metallic Red (8)
CR078	Big Body Clip 1/10 - Metallic Blue (8)
CR079	Big Body Clip 1/10 - Metallic Purple (8)
CR081	Extra Long Body Clip 1/10 - Silver (6)
CR082	Extra Long Body Clip 1/10 - Gold (6)
CR083	Extra Long Body Clip 1/10 - Fluorescent Yellow (6)
CR084	Extra Long Body Clip 1/10 - Fluorescent Green (6)
CR085	Extra Long Body Clip 1/10 - Fluorescent Red (6)
CR086	Extra Long Body Clip 1/10 - Metallic Green (6)
CR087	Extra Long Body Clip 1/10 - Metallic Red (6)
CR088	Extra Long Body Clip 1/10 - Metallic Blue (6)
CR089	Extra Long Body Clip 1/10 - Metallic Purple (6)
U1544	SPEED PACK - Short M3; Cap Hd
U1547	SPEED PACK - M3 Nuts
U1548	SPEED PACK - M3 Washers
U1550	SPEED PACK - Socket Wrenches (pk3)
U1551	SPEED PACK - E Clips -2 x 8pcs
U1552	SPEED PACK - R Clips
U1606	SPEED PACK - Servo Tape
U1633	SPEED PACK - Small Pins (pk)
U1960	SPEED PACK - O Rings; Various
U2128	SPEED PACK - Grub-Set Screws M3 M4
U2760	SPEED PACK - M3 Button Hd; 4 to 20
U2858	Alloy M3x6 Spacer Set;0.5;1;2;3mm - 16pcs
U2988	M3 Csk Washers - Purple Alloy (pk10)
U3002	Wheel Spacer Washers (pk10)
U3021	SPEED PACK - M3x6 Csk Allen Hi-T
U3022	SPEED PACK - M3x8 Csk Allen Hi-T
U3023	SPEED PACK - M3x10 Csk Allen Hi-T
U3024	SPEED PACK - M3x12 Csk Allen Hi-T
U3131	Alloy Spacers M3x7mm 0.5;1;2mm (pk18)
U3168	SPEED PACK - M2.5/M2.6 Screws
U3369	SPEED PACK - M4 Button Head Screws pk6
U3524	SPEED PACK-M4x8 Csk Hi Tensile (4)
U3572	SPEED PACK - M3x14 Grub Srew pk4

Speed Secret - Option Parts

CR110	Alloy Servo Arm; Futaba Purple
CR111	Alloy Servo Arm; KO/Sanwa Purple
CR112	Alloy Servo Arm; Futaba Blue
CR113	Alloy Servo Arm; KO/Sanwa Blue
CR117	Alloy Servo Arm; Futaba Black
CR118	Alloy Servo Arm; KO/Sanwa Black
G868	Spec R Gear Differential - Mi4
G869	Spec-R Replacement Gear Set
G870	Gear Diff Screw Set (10pcs)
G871	Gear Diff. Gasket Set (V.11)
G873	Gear Diff Housing 36T - Mi4
G874	0.1mm Shims (10)
G875	Titanium Gear Diff Pins
G883	Carbon Internal Gear Set
S500B	Schumacher BANNER 6x3ft
U1572	Titanium Turnbuckle; purple - 39mm (pr)
U1576	Titanium Pivot Pin; 25mm (pr)
U1905	Titanium Turnbuckle; purple - 35mm (pr)
U2053	Titanium Turnbuckle; purple - 25mm (pr)
U2187	M3 Nyloc Nut - Purple Alloy (pk8)
U2251	Kwik Klip; 1/8x1.0 and 2.0mm
U2566	Titanium Turnbuckle - 45mm (pr)
U2719	Titanium Pivot Pin; 18mm pr
U2844	Hub and One Ways; HD Option 2 - Mi2
U2845	Output; HD One Way Opt 1&2 - Mi2 1pc
U3126	CNC Pulley and Fences; 20T - Mi4LP
U3132	Kwik Clips 0.25 and 0.5mm (pk8)
U3143	Titanium Pivot Pin Set - Mi4 (8pcs)
U3169	Titanium Pro Pivot Pin - 55mm (pr)
U3221	Alloy Wheel Hex; Slim Solid - Mi3 (pr)
U3260	Ti Shock Post - Mi4 pr
U3513	C/F LiPo Strap and Posts - Mi4
U3514	C/F LiPo Strap - Mi4
U3516	Ti Turnbuckle Set - Mi4 7pcs
U3517	Alloy Block Susp Half Set - Mi4 Fr/Rr + Cat-SX2 Rr
U3518	One Way Complete; Option 2 Trans - Mi4LP
U3519	CNC One Way Pulley - Mi4LP
U3531	One Way Complete; Option 1 Trans - Mi4LP
U3532	Hub and One Ways; Option 1 Trans - Mi4
U3568	C/F LiPo Retainer - Mi4LP
U3570	Alloy Wheel Hex; Slim+O ring - Mi4LP (pr)
U3774	Twin Point Steering Set - Mi4
U3791	Body Support; CF + Alloy - Mi4
U3832	Driveshafts; Alloy Front - Mi4CX pr
U3833	Driveshafts; Alloy Rear - Mi4CX pr
U3839	Driveshaft; Alloy Axle Front - Mi4CX 1pc
U3840	Driveshaft; Alloy Axle Rear - Mi4CX 1pc
U3841	Driveshaft; Alloy Bone Front - Mi4CX 1pc
U3842	Driveshaft; Alloy Bone Rear - Mi4CX 1pc
U3847	LiPo Mounting Kit - Mi1
U3914	Top Deck Carpet Spec - Mi4CXL
U3924	Bando 60T Rear Belt - Mi3 - Mi4
U3933	Roll Bar Collar Set

Tools	
CR044	CORE RC - Curved Body Scissors
CR045	CORE RC - Straight Body Scissors
CR100	Shock Shaft Pliers - Purple
CR101	Shock Shaft Pliers - Black
CR102	Magnetic Parts Tray - Purple
CR103	Magnetic Parts Tray - Black
CR148	CORE RC - Polybutler Pit Box; Black
ED180001	Graphite Flat Set-Up Board for 1/12 & 1/10 On-Road
ED181001	Chassis Droop Gauge Blocks 10mm for 1/10 - (2)
ED181004	Chassis Droop Gauge 3-10mm for 1/10 Cars (10mm)
ED181007	Ultra-Fine Chassis Droop Gauge 4.0-6.6mm
ED181008	Ride Height Gauge - 0mm - 15mm (Beveled)
ED181009	Quick Downstop Gauge Tool - 1.0 - 6.5mm
H1026	Ride Height Gauge; Purple Alloy; 0-10mm
H1027	Droop Gauge Set; Purple Alloy - Touring
H1032	Alloy Camber Gauge - 1/10th
H1055	GT85 Lube and Clean Aerosol 400ml
NR95120	Ultimate Cleaner Spray
U2075	Camber and Ride Height Gauges - C/C
U2100	Set Up Wheels;Camber and Toe In-SST
U2789	Schumacher Hex Driver - 1.5mm
U2790	Schumacher Hex Driver - 2.0mm
U2791	Schumacher Hex Driver - 2.5mm
U2792	Schumacher Hex Driver - 3.0mm
U2795	Schumacher M3 Nut Driver
U2796	Schumacher M4 Nut Driver
U2818	Schumacher Body Reamer
U3582	Precision Balance Pivot Set

Team Clothing

G331L	T Blue - Large
G331M	T Blue - Medium
G331S	T Blue - Small Man
G331XL	T Blue - X-Large
G331XXL	T Blue - XX-Large
G331XXXL	T Blue - XXX-Large
G331XXXXL	T Blue - XXXX-Large
G333L	Polo - Large
G333M	Polo - Medium
G333S	Polo - Small Man
G333XL	PoloxLarge
G333XXL	Polo - XX-Large
G333XXX	Polo - XXX-Large
G334	Cap - Black; Medium 58cm
G335	Cap - Black; Large 62cm
G336L	Sweat - Large
G336M	Sweat - Medium
G336S	Sweat - Small
G336XL	Sweat - X-Large
G336XXL	Sweat - XX-Large
G337	Coffee Mug - Schumacher Logo
G338	2 Tone Beanie Knitted Hat
G339L	Jacket - 3 Layer Softshell; Black - L 44inch
G339M	Jacket - 3 Layer Softshell; Black - M 41inch
G339S	Jacket - 3 Layer Softshell; Black - S - 38inch
G339XL	Jacket - 3 Layer Softshell; Black - XL 46inch
G339XS	Jacket - 3 Layer Softshell; Black - XS - 34inch
G339XXL	Jacket - 3 Layer Softshell; Black - XXL 48inch
G339XXXL	Jacket - 3 Layer Softshell; Black - XXXL 50inch

Electronics

CR116	CORE Servo; Low Profile 8.4Kg Ti Gears 2xBB
CR139	Core RC 2.4G 2ST 3Ch Rx Only
CR151	CODE 2.4G FHSS LCD 2 Stick TxRx
CR152	CODE 2.4G FHSS LCD - Rx Only
CR153	CODE 2.4G FHSS Sport 2 Stick TxRx
CR154	CODE 2.4G FHSS Sport - Rx Only
CR155	Antenna 2.4G
CR156	Servo 3.5kg 0.17 sec
CR161	UAC50 Charger 12v/110-240v 6A
CR162	CORE RC Sensor Checking Widget
ED199502	EDS Ultra Bright L.E.D. Light Stand
G837	Mini Temp Gun - 420F 230C
G848	Tyre Warmers 1/10 Trg 7.2-12v
G881	Pit Table Lamp - White/Grey 240v UK
GM6458	Power Supply 5-15v 0-15Amp
GM6459	Power Supply 5-15v 0-20Amp
GM7987	Servo HBS 790 BB, MG
GM7990	Servo HBS 860 BB, MG
GM7991	Servo HBS 870 BB, MG
GM91539.M	Power Cap 470uF 16v Anti Glitch
GM94411	GM Soldering Station 90W ESD
GM968.50	GM Wet Protect - Aerosol

General Accessories

CR043	CORE RC - Silver X-Weights 16pcs
CR058	CORE RC - Black X-Weights 16pcs
MR-CSONROAD	MR33 Car Stand On Road

Sorex - Touring Car Tyres

XCO-20R	Sorex Competition Tyre - 20R
XCO-24R	Sorex Competition Tyre - 24R
XCO-28R	Sorex Competition Tyre - 28R
XCO-32R	Sorex Competition Tyre - 32R
XCO-36R	Sorex Competition Tyre - 36R
XCO-40R	Sorex Competition Tyre - 40R
XG-24RY	Sorex Glued 24R+Yellow+Revlite24 pk4
XG-28JB	Sorex Glued 28R+JB+Revlite24 pk4
XG-32JB	Sorex Glued 32R+JB+Revlite24 pk4
XG-32RY	Sorex Glued 32R+Yellow+Revlite24 pk4 BRCA
XG-36AF	Sorex Glued 36R+F+Revlite24 pk4
XG-36SY	Sorex Glued 36R+Yellow; Euro 2010 pk4
XG-WET	Shimizu D01J Wet Pre-Glued; Euro 2008 pk4
XMA-24F	Sorex Moulded Insert - A Firm pr

1-10 Touring Tyres and Inserts

C180101	CS Competition Grip Additive
C6400	CS-Grip Tyre Conditioner High Grip
C6431	CS Tire Clean Fix
C6440	CS Tire MAX Grip

1-10 Touring Tyres and Inserts cont....

MR0001	Marc Rheinard Outdoor Additive
MR-SPAREBOTTLES	MR33 Additive Bottles (4)
NR95031	VTEC CPX; Pre-Glued Carpet (4 pcs.)
NR95034	VTEC 30X; Pre-Glued Asphalt (4 pcs.)
NR95035	VTEC 33X; Pre-Glued Asphalt (4 pcs.)
NR95055	VTEC Rain Dunlop D20 Radial D20 pr
NR96010	Traction additive carpet
NR96020	Traction additive asphalt
U6623	SST Mini Pins 24/25 - Blue (pr)
U6624	SST Mini Pins 24/25 - Yellow (pr)
U6626	SST Foam Tyre Insert - 24/25 Soft (pr)
U6627	SST Foam Tyre Insert - 24/25 Hard (pr)
U6628	SST Foam Tyre Insert - 24/25 Comp (pr)
U6629	SST Rally 24/25 - Yellow (pr)
U6630	SST Rally 24/25 - White (pr)
U6634	SST Foam Tyre Insert - 20 Soft (pr)
U6635	SST Foam Tyre Insert - 20 Hard (pr)
U6670	SST Mini Pins 20 - Blue (pr)
U6671	SST Mini Pins 20 - Yellow (pr)
U6672	SST Belted Slick 25 - White (pr)
U6690	SST Carpet Dragon 24/25mm (pr)
U6716	SST Mini Pins 24/25 - Green (pr)
U6717	SST Mini Pins 20 - Green (pr)
U6758	Moulded Insert; Yellow - Touring
U6764	JB Foam Inserts (pr)

1-10 Touring Wheels

NR95070	VTEC Truespin Rim 24m
NR95075	NOSRAM VTEC Wheelsticker Racing 10 spoke
NR95076	NOSRAM VTEC Wheelsticker Multi spoke
U2500	Rev-Lite; 24mm - White (Pk4)
U2777	Rev-Lite; Flex 24mm - White (Pk4)
U2799	Rev-Lite Stiff; 24mm - White (Pk4)
U3792	Rev-Lite wheel Std; 20mm - White (Pk4)

Batteries

CR005	CORE RC Battery Tape - Black
CR006	CORE RC Battery Tape - Blue
CR007	CORE RC Silicone Wire 12g - Red/Black 2x50cm
CR008	CORE RC RED Connector with 2x4mm Tubes
CR009	CORE RC RED Connector with 2x4mm Males
CR033	CORE RC - Safe Charge Pouch 18x22cm
CR037	CORE RC - Battery Tape - Purple
CR050	CORE RC Silicone Wire 12g - Red 1 Metre
CR051	CORE RC Silicone Wire 12g - Black 1 Metre
CR052	CORE RC Silicone Wire 12g - Blue 1 Metre
CR053	CORE RC Silicone Wire 12g - Red 50 Metre Reel
CR054	CORE RC Silicone Wire 12g - Black 50 Metre Reel
CR055	CORE RC Silicone Wire 12g - Blue 50 Metre Reel
CR056	Balance Charge Lead; JST to 2mm Male 7.4v
CR059	CORE RC - Safe Charge Pouch 23x30cm
CR115	CORE RC Silicone Wire 12g - Red/Black/Blue 3x50cm
CR119	Heatshrink 1.5mm dia Black - 20pcs
CR120	Heatshrink 2.0mm dia Black - 20pcs
CR121	Heatshrink 3.0mm dia Black - 20pcs
CR122	Heatshrink 4.0mm dia Black - 20pcs
CR123	Heatshrink 5.0mm dia Black - 20pcs
CR124	Heatshrink 6.0mm dia Black - 20pcs
CR125	Heatshrink 6.0mm dia Red - 20pcs
CR126	Heatshrink 6.0mm dia Blue - 20pcs
CR127	Heatshrink 8.0mm dia Black - 12pcs
CR128	Heatshrink 10.0mm dia Black - 12pcs
CR129	Heatshrink 12.0mm dia Black - 12pcs
CR130	Heatshrink 15.0mm dia Black - 12pcs
CR157	CORE RC - 3000mAhr 7.4v 20C LiPo
CR158	CORE RC - 4000mAhr 7.4v 20C LiPo
CR159	Core RC - Battery Tape - Orange
GM99010	Lipo-Akku V-Maxx 60C 2S2P/6200 G3,5/G4
GM99011	Lipo-Akku V-Maxx 60C 2S2P/6200 G4
MR-SB	MR33 Lipo Bag
NR95805	NOSRAM LiPo Hardcase balancing adapter
NR99950	Lipo 6200 Fat Cobra X-treme Race H/case 65C-7.4V
NR99951	Lipo 6200 Big Mama X-treme Race H/case 65C-7.4V
NR99982	LiPo TX-Pack 3600/11.1v Sanwa M11/MX-3-Futaba 3PK
NR99983	VTEC Lipo TX-Pk Sanwa M11-X/MX-3X-7.4V
NR99984	VTEC LiPo Tx-Pack KO Helios 2700 11.1V
SFE1891F	Tx Battery; Futaba 3PK+JR-4800mah 9.9v 1C LiFe
SFE2361F	Tx Battery; Futaba 4PK+JR-2400mah 6.6v 1C LiFe

Brushless Accessories

CR133	Core Sensor Lead; 80mm
CR134	Core Sensor Lead; 180mm
GM2894.15	GM Lead; Genius ESC to Rx
GM2894.4	GM Sensor Lead; GM ESC 10cm
GM2894.9	Sensor Adaptor Cable - Gm-Evo2/Novak-M
GM2894L	GM Fan 30x30mm
GM7168.6	GM Genius USB Programming Set
GM97268.1	GM Rotor; 12.4mm EFRA Stock Spec
GM97286.3	GM Sintered Rotor; 12.5mm
GM97286.4	GM Sensor Lead; STD ESC 180mm
GM97289.1N	GM Sensor Board
NR90607	Storm BL - Ceramic Ball Bearing R2
NR90608	Storm BL - Ceramic Ball Bearing R166
NR90610	Storm BL - Comp Sintered Rotor
NR90611	Storm BL - Sintered Rotor 12.5mm
NR90612	Storm BL - Sintered Rotor 13mm
NR90613	Storm BL - Sintered Rotor 12.3mm
NR90616	Storm Evo Xtreme cooling frontcover
NR90617	Storm Evo Xtreme cool fr cover; thin
NR90618	Storm Evo Xtreme cooling backplate
NR90619	Storm Evo BL Small parts set
NR90630	PURE MR104 ABEC5 BB (pr)
NR90631	PURE MR104 Ceramic BB (pr)
NR90637	PURE Evo 694ZZ Ball Bearings (2 pcs)
NR90639	Pure Evo Spec Racing 1S Lipo Tuning Rotor
NR90639	Pure Evo Spec Racing 1S Lipo Tuning Rotor
NR90640	PURE Sintered Rotor - 12.0mm
NR90641	PURE Sintered Rotor - 12.5mm
NR90642	PURE Sintered Rotor - 13.0mm
NR90643	PURE Evo Stock Sintered Rotor
NR90644	PURE Evo Tuning Sintered Rotor - 12.0mm
NR90645	PURE Evo Tuning Sintered Rotor - 12.5mm
NR90646	PURE Evo Tuning Sintered Rotor - 13.0mm
NR92500	USB Bridge - Speedo Firmware Update Device
NR92505	Powerwire Set Matrix
NR92512	Cooling Fan; Low Profile - Include Mounting Screws
NR92520	Sensorwire for BL 200mm - short
NR925307	NOSRAM Sensor Wire HighFlex 70mm
NR92531	Pearl Power Capacitor 6-7.4v
NR925315	NOSRAM Sensor Wire HighFlex 150mm
NR925320	NOSRAM Sensor Wire HighFlex 200mm
NR92591	NOSRAM Hardcore Motor Cooler
NR92820	Ultimate Accessory Set
NR92825	Replacement Wire Set Razor
SP000029	Sensor Unit +20 Timing"for V3.0 Motor-Green Color"
SP000034	Sensor Unit +10 Timing" for V3.0 Motor-Red Color"
SP000041	Sensor Unit for V3.0 - 4.0T/5.0T Motor
SP13835ER1	SP Rotor 3.5T; Euro R Hi Power 12.5mm
SP138MS105	10.5R Stator for Competition Version 3.0 Motor
SP138MS135	13.5R Stator for Competition Version 3.0 Motor
SP138MS175	17.5R Stator for Competition Version 3.0 Motor
SP138MS215	21.5R Stator for Competition Version 3.0 Motor
SP16280	SP - Sensor Cable 180mm
SP162802	SP - Sensor Cable 90mm
SP162810	SP - HiPower Solder Post; 3pcs
SP162820	SP - HiPower Connector; V3.0 Motors 3pcs
SP1EB01 SP	Endbell; Fixed Timing V3.0
SPAMSSC3M	SP - Super Capacitor 3 Farads 6 Volt rated
SPCBB138238	SP - Ceramic Motor Bearing
SPSB428	Sensor unit with Team protect for V3.0 motor

Chargers and Dischargers

CR031	UDC Charger Connector Set
CR135	Temperature Probe - UDC 30
CR149	Power Cable UAC40-50; USA-Cloverleaf
CR150	Power Cable UAC40-50; Europe - Cloverleaf
CR161	UAC50 Charger 12v/110-240v 6A
GM3075.GB2S	BSI Conv Plug; EU2-UK3 2.5A
GM6460	Power Supply 12v 25 Amp
GM6464	Ultramat 14 Mains/12v Charger
GM6468.GB	Ultramat 16S + 3076
NR91400	Sigma Power Charger
NR91555	Stealth Touch Evolution Charger

Brushless Motors

GM97279	GM Pro 9T Delta Wind BL Motor
GM97283.5	GM Pro 3.5T Star Wind BL Motor
GM97284	GM Pro 4T Star Wind BL Motor
GM97284.5	GM Pro 4.5T Star Wind BL Motor
GM97286	GM Pro 6T Delta Wind BL Motor
GM97287	GM Pro 7T Delta Wind BL Motor

Brushless Motors cont....

GM97288	GM Pro 8T Delta Wind BL Motor
GM97290	GM Pro Stock 10.5T - Star Wind
GM97350	Brushless GM PRO 10.5T Metal
GM97353	Brushless GM PRO 13.5T Metal
GM97357	Brushless GM PRO 17.5T Metal
GM97361	Brushless GM PRO 21.5T Metal
NR90510	Dragon BL Sport Modified 9.5T
NR90540	Dragon BL Sport Modified 15.5T
NR90550	Cobra Brushless Motor - 6.5T
NR90555	Cobra Brushless - 10.5T
NR90692	PURE Evolution BL - 4.5t
NR90693	PURE Evolution BL - 4.5t OCTA WIND
NR90702	PURE Evolution BL - 4.0t
NR90703	PURE Evolution BL - 4.0t Octa Wind
NR90712	PURE Evolution BL - 3.5t
NR90722	PURE Evolution BL - 3.0t
NR91831	PURE Evo Stock 10.5T
NR91841	PURE Evo Stock 13.5T
SP000015	Ultra Sportsman Version 3.0 Sensor Motor 10.5R
SP000016	Ultra Sportsman Version 3.0 Sensor Motor 13.5R
SP000017	Ultra Sportsman Version 3.0 Sensor Motor 17.5R
SP000018	Ultra Sportsman Version 3.0 Sensor Motor 21.5R
SP000019	Ultra Sportsman Version 3.0 Sensor Motor 25.5R
SP000025	Ultra Sportman Version 3.0 Sensor Motor 5.5R
SP000027	Ultra Sportsman Version 3.0 Sensor Motor 7.5R
SP000028	Ultra Sportsman Version 3.0 Sensor Motor 8.5R
SP000035	1/10 Competition MMM Series 3.5R BL Motor
SP000036	1/10 Competition MMM Series 4.5R BL Motor
SP000037	1/10 Competition MMM Series 10.5R BL Motor
SP000038	1/10 Competition MMM Series 13.5R BL Motor
SP000039	1/10 Competition MMM Series 17.5R BL Motor
SP000040	1/10 Competition MMM Series 21.5R BL Motor
SP138105V3	Speed Passion V3.0 Comp BL Motor; 10.5T
SP138135V3	Speed Passion V3.0 Comp BL Motor; 13.5T
SP138175V3	Speed Passion V3.0 Comp BL Motor; 17.5T
SP13835V3	Speed Passion V3.0 Comp BL Motor; 3.5T
SP13840V3	Speed Passion V3.0 Comp BL Motor; 4.0T
SP13845V3	Speed Passion V3.0 Comp BL Motor; 4.5T

Brushless Speedcontrols

GM97163	GM Genius 75 BL-ESC
GM97164	GM Genius 90 BL ESC 90 Amp V2010
GM97168	GM Genius 120 BL-ESC 120 Amp V2010
NR90100	Matrix Brushless Reverse
NR90150	Matrix Power Brushless Reverse
NR90400	Evil Brushless Reverse
NR90450	Evil Brushless Power Reverse
NR90905	Pearl Evolution V2 Brushless ESC
NR90915	Pearl Evolution Racing Spec V2 - B/less Speed Cont
NR90955	Pearl Evolution ISTC V2 Brushless ESC
SPEXT98802B	Speed Passion GT V2.0 ESC - Blue
SPEXT98802LPB	Speed Passion LPF V2.0 ESC - Blue
SPEXT98802LPF	Speed Passion LPF V2.0 ESC - Carbon Look
SPEXT98802LPS	Speed Passion LPF V2.0 ESC - Silver
SPEXT98802PRO	Speed Passion GT V2.0 ESC - Carbon Look
SPEXT98802S	Speed Passion GT V2.0 ESC - Silver
SPEXT98802SB	GT V2.1 ESC Pro Stock Edition - Blue Edition
SPEXT98802SCB	GT V2.1 ESC Pro Stock Edition - Black edition

Brushless Esc and Motor Combo

NR90581	BL Combo Evil/Dragon 15.5T
NR90584	BL Combo Evil/Dragon 9.5T
NR90730	BL Combo Pearl Evo v2 / Pure Evolution 9.5T
NR90732	BL Combo Pearl Evolution V2 / Pure Evo 7.5T
NR90736	BL Combo Pearl ISTC V2 / Pure Evolution 4.5T
NR90737	BL Combo Pearl Evolution ISTC V2 / Pure Evo 4.0T
NR90741	BL Combo Pearl Evolution V2 / Pure Evo 6.5T Octa
NR90744	BL Combo Pearl Evo ISTC V2 / Pure Evo 4.0T Octa
NR90764	BL Combo Matrix Power + PURE 4.5
NR90765	BL Combo Matrix Power + PURE 4.0
NR90766	BL Combo Matrix Power + PURE 3.5
NR90767	BL Combo Matrix Power + PURE 3.0
NR90768	BL Combo Matrix Power + PURE 5.0
NR90779	BL Combo PEARL Evo + PURE 9.5T
NR90783	BL Combo Matrix Evo/Storm 10.5T
NR90784	BL Combo Matrix Evo/Storm 9.5T
SP000051	Cirtix Series - Stock Club Race 10.5T V3 Combo
SP000052	Cirtix Series - Stock Club Race 13.5T V3 Combo
SP000053	Cirtix Series - Stock Club Race 17.5T V3 Combo
SP000054	Cirtix Series - Stock Club Race 21.5T V3 Combo
SP000055	Cirtix Series - Stock Club Race 25.5T V3 Combo

U3571 Purple Alloy Servo Mounts



U2736 Steering Yoke Stiff 2 deg
 U2737 Steering Yoke Stiff 4 deg
 U2738 Steering Yoke Stiff 6 deg
 U3748 Steering Yoke Med Flex 4 deg
 U3530 Steering Yoke X flex 4 deg



U3526 - C/F Upr Link Mnt 45mm 1gr - Mi4
 U3527 - C/F Upr Link Mnt 42mm 2gr - Mi4
 U3528 - C/F Upr Link Mnt 39mm 3gr - Mi4
 U3799 - C/F Upr Link Mnt 47mm 4gr - Mi4

Mi4cxl

U3832 Driveshafts; Alloy Front - Mi4CX pr
 U3833 Driveshafts; Alloy Rear - Mi4CX pr



U3774 - Twin Point Steering Set - Mi4

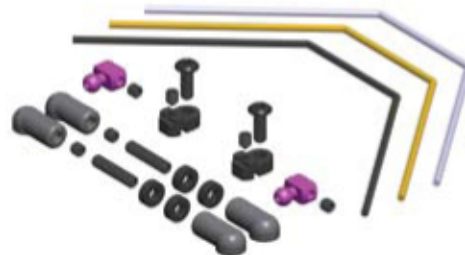


U3791 - Body Support,
 CF & Alloy - Mi4



U3917 - Front Wishbone C/F - Mi4CXL
 U3918 - Front Wishbone Med - Mi4CXL
 U3919 - Rear Wishbone C/F - Mi4CXL
 U3920 - Rear Wishbone Med - Mi4CXL

U3921 - Front Roll Bar Set - Mi4CXL
 U3922 - Rear Roll Bar Set - Mi4CXL



U3914 C/F Top Deck Carpet Spec - Mi4CXL

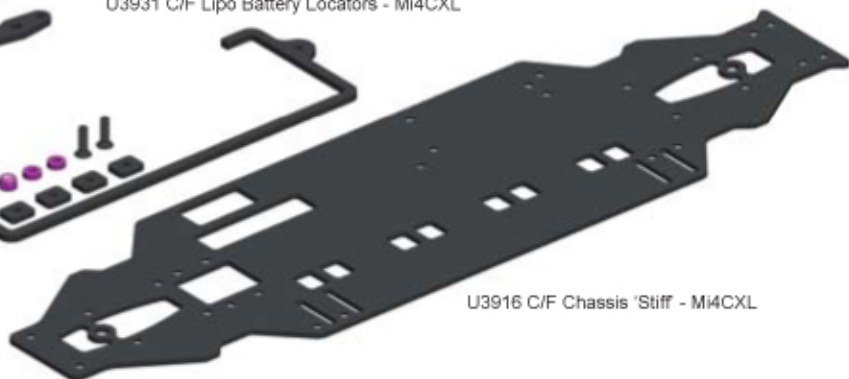


U3513 C/F LiPo Strap & Posts - Mi4
 U3514 C/F LiPo Strap - Mi4

U3932 C/F LiPo Retainer and Battery Locators - Mi4CXL
 U3931 C/F LiPo Battery Locators - Mi4CXL



U3916 C/F Chassis 'Stiff' - Mi4CXL



U3831 Diff; Pro-Spec Assembled - Mi4CX
 A front diff is recommended for foam tyres on carpet.



G868 - Gear Differential by Spec R - Mi4

U3518 One way Complete (Option 2 Transmission)
 U3531 One way Complete (Option 1 Transmission)
 A one way allows sharper turn in but more unstable braking. Popular on large tracks where traction is high.



U3517 Alloy Block Susp Half Set - Mi4

U3516 Ti Turnbuckle Set - Mi4 7pcs



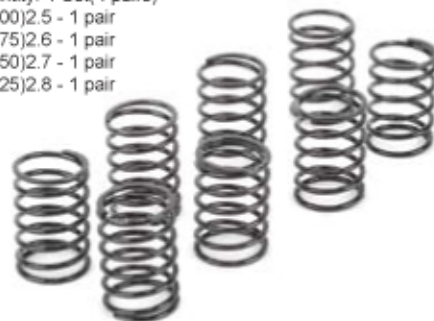
U3520 Ceramic Bearing set - Mi4 - 14pcs

U3143 Titanium Pivot Pin Set - Mi4 (8pcs)



U3570 Alloy Wheel Hex Slim - Mi4

G882 Spec-R Touring Spring Set-Soft 2.5-2.8
 Quantity: 1 Set(4 pairs)
 (T7.00)2.5 - 1 pair
 (T6.75)2.6 - 1 pair
 (T6.50)2.7 - 1 pair
 (T6.25)2.8 - 1 pair





S500B - Schumacher BANNER 6x3ft



CR162 - CORE RC Sensor Checking Widget

Mi4x1



- U3414 Pinion; Hard Alloy 48dp - 14T
- U3415 Pinion; Hard Alloy 48dp - 15T
- U3416 Pinion; Hard Alloy 48dp - 16T
- U3417 Pinion; Hard Alloy 48dp - 17T
- U3418 Pinion; Hard Alloy 48dp - 18T
- U3419 Pinion; Hard Alloy 48dp - 19T
- U3420 Pinion; Hard Alloy 48dp - 20T
- U3421 Pinion; Hard Alloy 48dp - 21T
- U3422 Pinion; Hard Alloy 48dp - 22T
- U3423 Pinion; Hard Alloy 48dp - 23T
- U3424 Pinion; Hard Alloy 48dp - 24T
- U3425 Pinion; Hard Alloy 48dp - 25T
- U3426 Pinion; Hard Alloy 48dp - 26T
- U3427 Pinion; Hard Alloy 48dp - 27T
- U3428 Pinion; Hard Alloy 48dp - 28T
- U3429 Pinion; Hard Alloy 48dp - 29T
- U3430 Pinion; Hard Alloy 48dp - 30T
- U3431 Pinion; Hard Alloy 48dp - 31T
- U3432 Pinion; Hard Alloy 48dp - 32T
- U3433 Pinion; Hard Alloy 48dp - 33T
- U3434 Pinion; Hard Alloy 48dp - 34T
- U3435 Pinion; Hard Alloy 48dp - 35T
- U3436 Pinion; Hard Alloy 48dp - 36T
- U3437 Pinion; Hard Alloy 48dp - 37T
- U3438 Pinion; Hard Alloy 48dp - 38T

CORE-RC.COM



CR161 - CORE RC UAC-50 U Universal Digital Charger, Discharger and Cycler, 12v & 110-240v.

The CORE RC Universal Digital Charger UAC-50 is a multifunction balance and rapid charger/discharger controlled by a high performance microprocessor and specialized operating software.

Multi voltage input of 110-240v AC or 12v DC with compatibility with all types of batteries including Lipo,(1s-6s) Li-Ion, NiMH, NiCd,(1-15cells) Pb and LiFe. Fast charging up to 6 amps, discharging, balancing, cycling and much more....you won't need any other charger!!!



Specification;

- AC Input 110V-240V
- DC Input 11V-18V
- Max Charging Power: 50Watts
- Max Discharging Power: 5Watts
- Charge current range: 0.1-6A
- Discharge current range: 0.1-1A
- Nid/NiMH Battery Cell Count: 1-15Cell
- LiPo/Li-Fe/Lilon Cell Count: 1-6Cell
- Pb Battery Voltage: 2-20V
- Temperature sensor available
- Balance: 2-6Cells
- Case: Plastic with gunmetal chrome.
- Display: 16*2 character blue backlit display
- Dimension: 135mm X 112mm X 61mm
- Multiple leads included for all applications
- UK 3 Pin plug lead for 240v



H1027 - Droop Gauge Set; Purple Alloy - Touring

CORE-RC.COM

- CR200 CORE R/C Silicone Oil - 100 cSt - 60ml
- CR201 CORE R/C Silicone Oil - 150 cSt - 60ml
- CR202 CORE R/C Silicone Oil - 200 cSt - 60ml
- CR203 CORE R/C Silicone Oil - 250 cSt - 60ml
- CR204 CORE R/C Silicone Oil - 300 cSt - 60ml
- CR205 CORE R/C Silicone Oil - 350 cSt - 60ml
- CR206 CORE R/C Silicone Oil - 400 cSt - 60ml
- CR207 CORE R/C Silicone Oil - 450 cSt - 60ml
- CR208 CORE R/C Silicone Oil - 500 cSt - 60ml
- CR209 CORE R/C Silicone Oil - 550 cSt - 60ml
- CR210 CORE R/C Silicone Oil - 600 cSt - 60ml
- CR211 CORE R/C Silicone Oil - 700 cSt - 60ml
- CR212 CORE R/C Silicone Oil - 800 cSt - 60ml
- CR213 CORE R/C Silicone Oil - 900 cSt - 60ml
- CR214 CORE R/C Silicone Oil - 1000 cSt - 60ml
- CR215 CORE R/C Silicone Oil - 1300 cSt - 60ml
- CR216 CORE R/C Silicone Oil - 2000 cSt - 60ml
- CR217 CORE R/C Silicone Oil - 3000 cSt - 60ml
- CR218 CORE R/C Silicone Oil - 4000 cSt - 60ml
- CR219 CORE R/C Silicone Oil - 5000 cSt - 60ml
- CR220 CORE R/C Silicone Oil - 6000 cSt - 60ml
- CR221 CORE R/C Silicone Oil - 7000 cSt - 60ml
- CR222 CORE R/C Silicone Oil - 10000 cSt - 60ml
- CR223 CORE R/C Silicone Oil - 20000 cSt - 60ml
- CR224 CORE R/C Silicone Oil - 30000 cSt - 60ml
- CR225 CORE R/C Silicone Oil - 40000 cSt - 60ml
- CR226 CORE R/C Silicone Oil - 50000 cSt - 60ml
- CR227 CORE R/C Silicone Oil - 100000 cSt - 60ml
- CR228 CORE R/C Silicone Oil - 300000 cSt - 60ml



U3582 - Precision Balance Pivot Set

H1026 - Ride Height Gauge; Purple Alloy; 0-10mm



H1032 - Alloy Camber Gauge - 1/10th