

## DRIVER AND EVENT DETAILS

Name CHRIS GOETZ  
Date 11th MARCH 07  
Event ROAR CARPET NATIONALS  
Weather INDOOR  
Result

## CHASSIS AND ELECTRICS

Chassis 2.50 mm  
Top Deck Flex  Standard  Stiff   
Bodyshell PARMA MOWHAWK  
Wing STD  
E.S.C KEYENCE  
Servo FUTABA  
Receiver FUTABA 2.4 Ghz  
Number of Cells 4  5  6   
Type of Cells SCHUMACHER IB4200 WC

## TRACK CONDITIONS

Grip Level High  Medium  Low   
Track Type Tight  Open  Both   
Surface Carpet  Tarmac  Wood   
Venue Indoor  Outdoor   
Track Condition Smooth  Bumpy   
Track Temperature °C °F

## MOTOR AND GEARING

Type Brushed  Brushless   
Motor TRINITY KD 19 TURN  
Brush  
Spring  
Timing  
Gear Pitch 48Dp  64Dp   
Spur Size 118T  
Pinion Size 34T



## DRIVER NOTES

1.00 mm Washer Against Hex.  
Foam Tyre Dia. 56.40

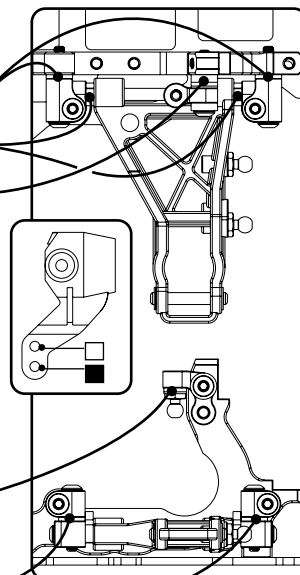
## WHEELS, TYRES AND INSERTS

Wheels  
Tyres PARMA MABENTA (FOAM)  
Inserts  
Tyre Additive HALF FRONT  
Additive Time 10 MIN (R) 10 MIN (F)  
Tyre Warmers Yes  No

## FRONT SETTINGS

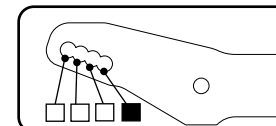
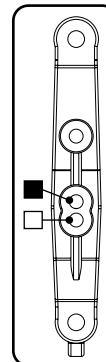
Drive Diff  Spool  One-Way  Height High  Low

Servo Saver Yes  No   
Toe In-Out In-board  Out-board  1.30° Toe-out  
Screw Block Spacers Front 2.50 mm Rear 1.50 mm  
Wishbone Quik-Klips Front 2.00 mm Rear 2.00 mm  
Link Washers (Horizontal) 5.00 mm  
Ride Height (Chassis to Floor) 4.00 mm  
Droop (Chassis to Floor) 5.00 mm  
Anti-roll Bar Yes  No  1.20  1.40  1.60   
Caster 0°  2°  4°  6°   
Camber Positive  Negative  1.00 DEG  
Link Washers (Vertical) 3.00 mm  
Inboard Pin Kick-up  Anti-dive  Horizontal   
Pivot Block Spacers Front 2.00 mm Rear 2.00 mm

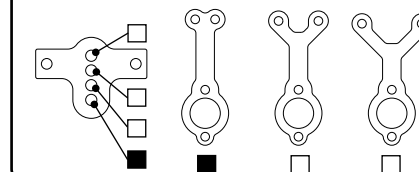


## Front Shocks

Oil 50WT  
Springs 33 lb  
Piston Holes 2  3   
length 62.50 mm  
Rebound 80 %



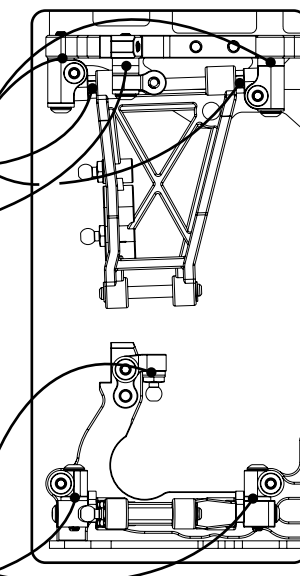
## Centre Track Rod



## REAR SETTINGS

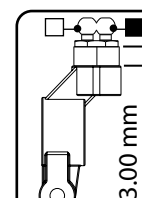
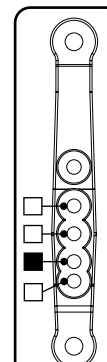
Drive Height High  Low

Toe In In-board  1.30° Out-board  1.00° 2.30°  
Screw Block Spacers Front 1.50 mm Rear 0.50 mm  
Wishbone Quik-Klips Front 4.00 mm Rear 0.00 mm  
Link Washers (Horizontal) 4.00 mm  
Ride Height (Chassis to Floor) 4.00 mm  
Droop (Chassis to Floor) 6.00 mm  
Anti-roll Bar Yes  No  1.20  1.40  1.60   
Camber Positive  Negative  2.50 DEG  
Link Washers (Vertical) 4.00 mm  
Inboard Pin Pro-Squat  Anti-Squat  Horizontal   
Pivot Block Spacers Front 3.00 mm Rear 3.00 mm



## Rear Shocks

Oil 30WT  
Springs 16 lb  
Piston Holes 2  3   
length 62.50 mm  
Rebound 80 %



## Driver Notes

Optional 1° Rear Hub Carrier

