

DRIVER AND EVENT DETAILS

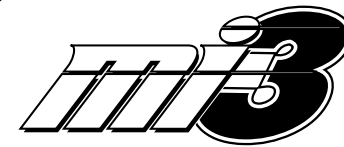
Name
Date
Event
Weather
Result

CHASSIS AND ELECTRICS

Chassis
Top Deck Flex Standard Stiff
Bodyshell
Wing
E.S.C.
Servo
Receiver
Number of Cells 4 5 6
Type of Cells

TRACK CONDITIONS

Grip Level High Medium Low
Track Type Tight Open Both
Surface Carpet Tarmac Wood
Venue Indoor Outdoor
Track Condition Smooth Bumpy
Track Temperature °C °F



DRIVER NOTES

MOTOR AND GEARING

Type Brushed Brushless
Motor
Brush
Spring
Timing
Gear Pitch 48Dp 64Dp
Spur Size
Pinion Size

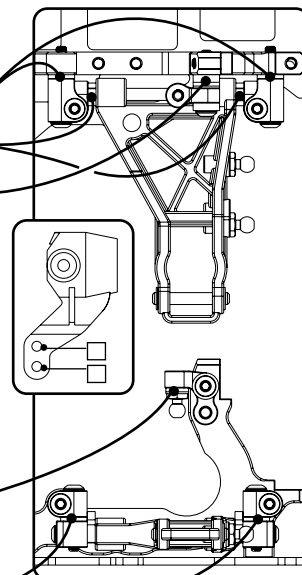
WHEELS, TYRES AND INSERTS

Wheels
Tyres
Inserts
Tyre Additive
Additive Time MIN (R) MIN (F)
Tyre Warmers Yes No

FRONT SETTINGS

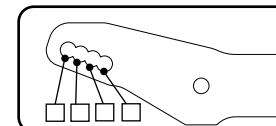
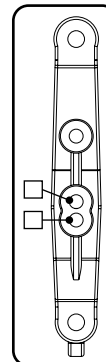
Drive Diff Spool One-Way Height High Low

Servo Saver Yes No
Toe In-Out In-board Out-board ° Toe-out
Screw Block Spacers Front mm Rear mm
Wishbone Quik-Klips Front mm Rear mm
Link Washers (Horizontal) mm
Ride Height (Chassis to Floor) mm
Droop (Chassis to Floor) mm
Anti-roll Bar Yes No 1.20 1.40 1.60
Caster 0° 2° 4° 6°
Camber Positive Negative Deg
Link Washers (Vertical) mm
Inboard Pin Kick-up Anti-dive Horizontal
Pivot Block Spacers Front mm Rear mm

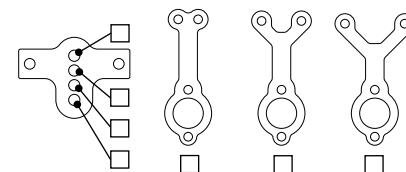


Front Shocks

Oil WT
Springs
Piston Holes 2 3
length
Rebound %



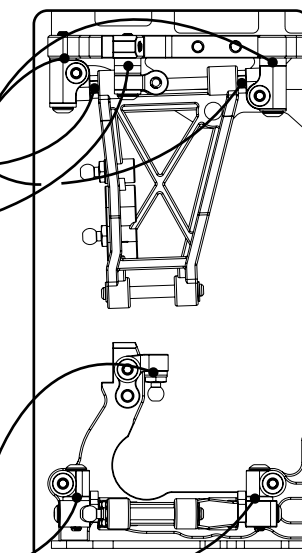
Centre Track Rod



REAR SETTINGS

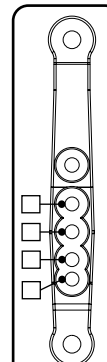
Drive Height High Low

Toe In In-board Out-board °
Screw Block Spacers Front mm Rear mm
Wishbone Quik-Klips Front mm Rear mm
Link Washers (Horizontal) mm
Ride Height (Chassis to Floor) mm
Droop (Chassis to Floor) mm
Anti-roll Bar Yes No 1.20 1.40 1.60
Camber Positive Negative Deg
Link Washers (Vertical) mm
Inboard Pin Pro-Squat Anti-Squat Horizontal
Pivot Block Spacers Front mm Rear mm



Rear Shocks

Oil WT
Springs
Piston Holes 2 3
length
Rebound %



Driver Notes

