

DRIVER AND EVENT DETAILS

Name
 Date
 Event
 Weather
 Result

CHASSIS AND ELECTRICS

Chassis
 Top Deck Flex Standard Stiff
 Bodyshell
 Wing
 E.S.C
 Servo
 Receiver
 Number of Cells 4 5 6
 Type of Cells

TRACK CONDITIONS

Grip Level High Medium Low
 Track Type Tight Open Both
 Surface Carpet Tarmac Wood
 Venue Indoor Outdoor
 Track Condition Smooth Bumpy
 Track Temperature °C °F

MOTOR AND GEARING

Type Brushed Brushless
 Motor
 Brush
 Spring
 Timing
 Gear Pitch 48Dp 64Dp
 Spur Size
 Pinion Size



DRIVER NOTES

Kit length akerman kit.
 1mm shim on hexs

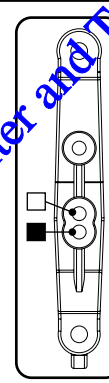
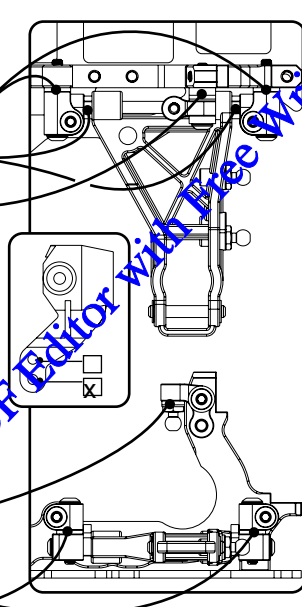
WHEELS, TYRES AND INSERTS

Wheels
 Tyres
 Inserts
 Tyre Additive
 Additive Time MIN (R) MIN (F)
 Tyre Warmers Yes No

FRONT SETTINGS

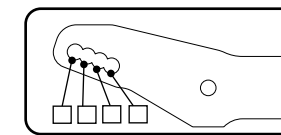
Drive Diff Spool One-Way Height High Low

Servo Saver Yes No
 Toe In-Out In-board Out-board 1mm° Toe-out
 Screw Block Spacers Front Rear
 Wishbone Quik-Klips Front Rear
 Link Washers (Horizontal) mm
 Ride Height (Chassis to Floor) mm
 Droop (Chassis to Floor) 3.5mm above ride height mm
 Anti-roll Bar Yes No 1.20 1.40 1.60
 Castor 0° 2° 4° 6°
 Camber Positive Negative 1 Deg
 Link Washers (Vertical) mm
 Inboard Pin Kick-up Anti-dive Horizontal
 Pivot Block Spacers Front Rear mm

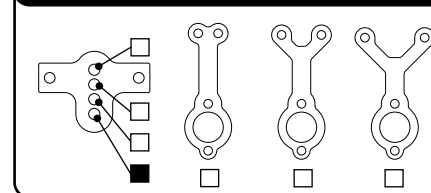


Front Shocks

Oil 40 WT
 Springs white
 Piston Holes 2 3
 length 62
 Rebound 30 %



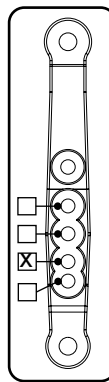
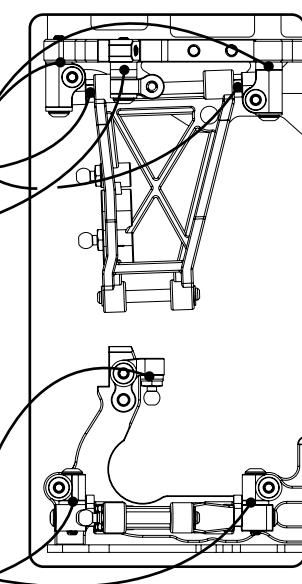
Centre Track Rod



REAR SETTINGS

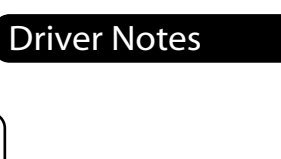
Drive Height High Low

Toe In In-board 3° Out-board °
 Screw Block Spacers Front Rear
 Wishbone Quik-Klips Front Rear
 Link Washers (Horizontal) mm
 Ride Height (Chassis to Floor) mm
 Droop (Chassis to Floor) 3.5mm above ride height mm
 Anti-roll Bar Yes No 1.20 1.40 1.60
 Camber Positive Negative 2 Deg
 Link Washers (Vertical) mm
 Inboard Pin Pro-Squat Anti-Squat Horizontal
 Pivot Block Spacers Front Rear mm



Rear Shocks

Oil 35 WT
 Springs white
 Piston Holes 2 3
 length 62
 Rebound 30 %



Driver Notes

