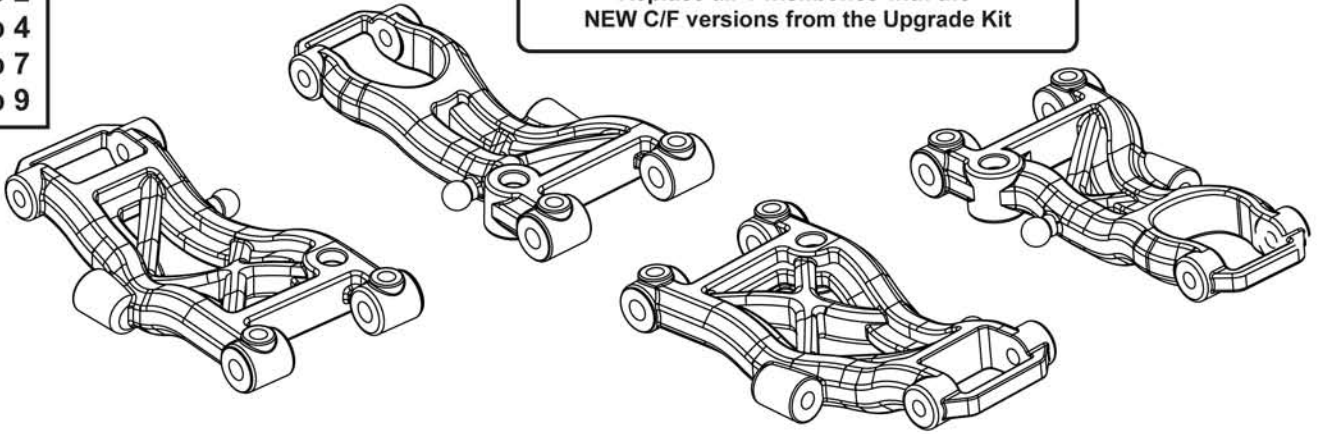


Kit & Upgrade Instructions

WISHBONES

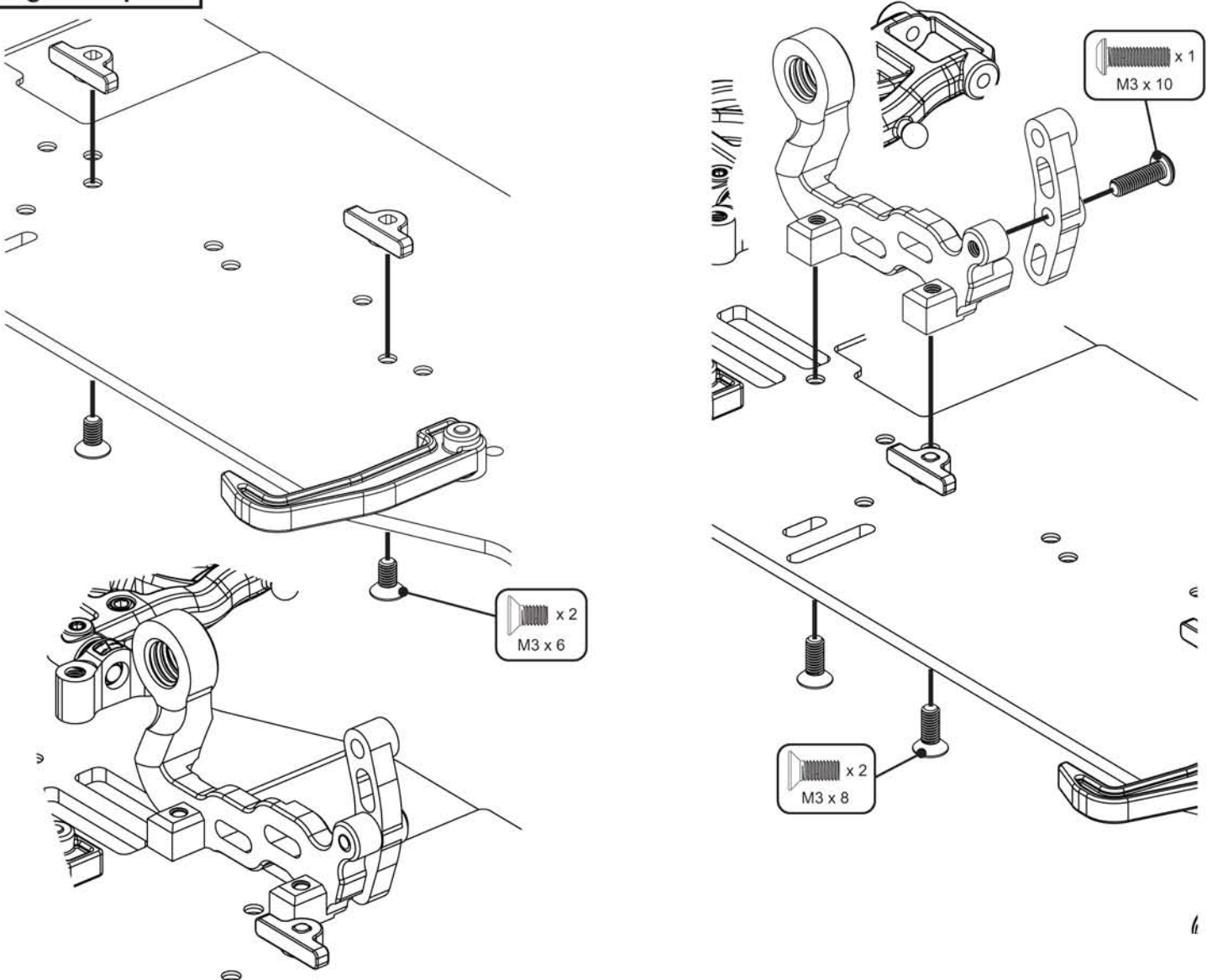
Page 1 Step 2
Page 2 Step 4
Page 3 Step 7
Page 4 Step 9

Replace all 4 wishbones with the
NEW C/F versions from the Upgrade Kit



TRANSMISSION

Page 5 Step 12



TRANSMISSION

Page 7 Step 15 B

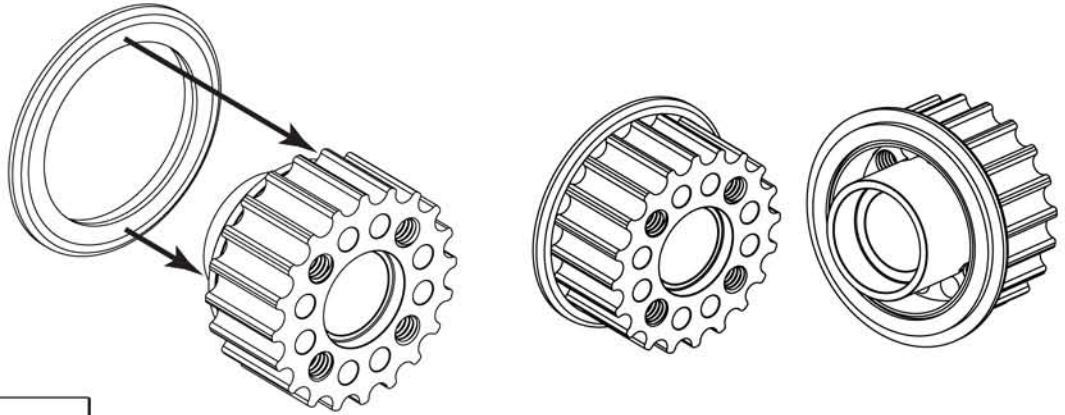
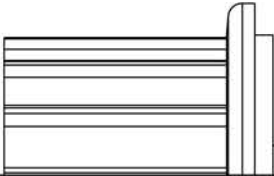
Ensure you are using the correct JIG.



TRANSMISSION

Page 9 Step 16

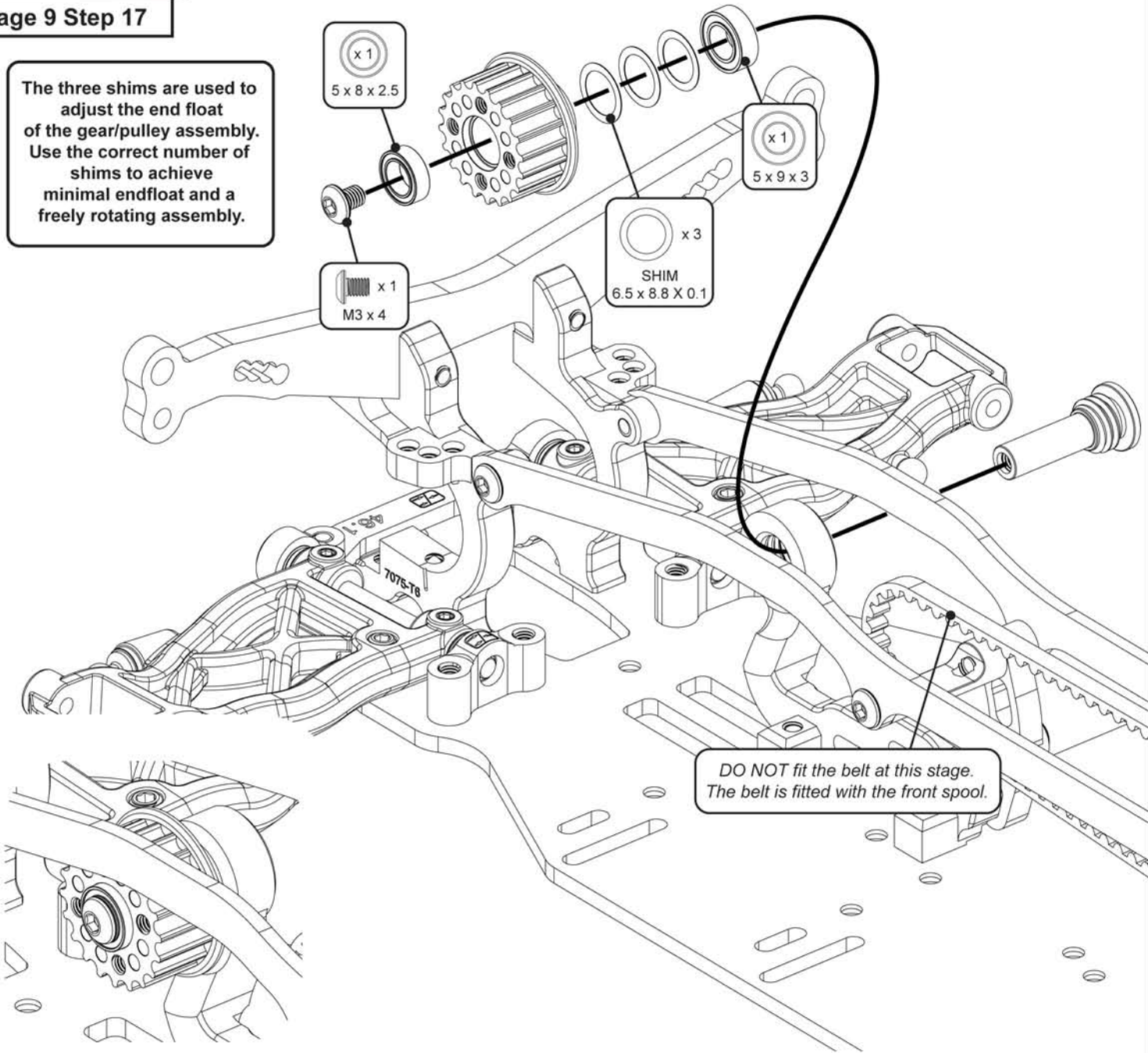
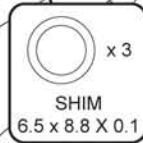
Carefully snap the fence onto the pulley using pliers, see image below for correct orientation of the fence.



TRANSMISSION

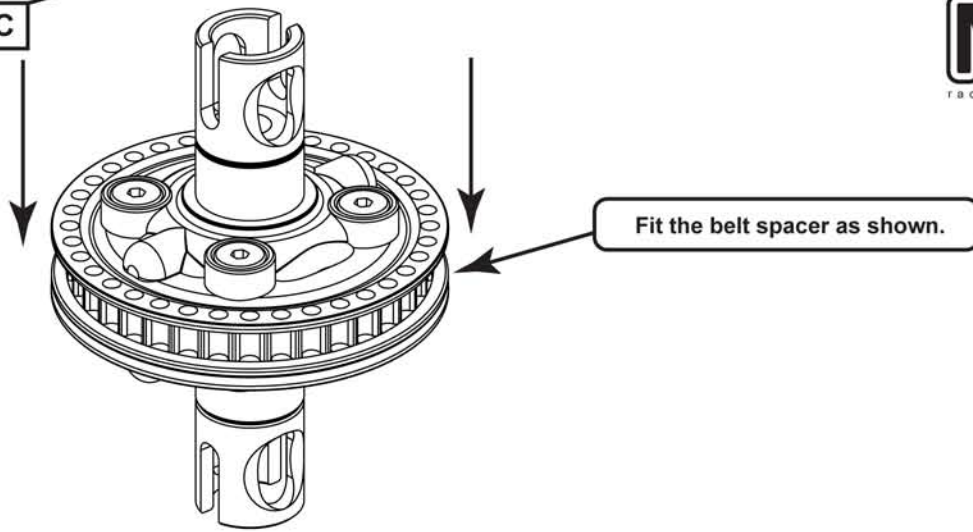
Page 9 Step 17

The three shims are used to adjust the end float of the gear/pulley assembly. Use the correct number of shims to achieve minimal endfloat and a freely rotating assembly.



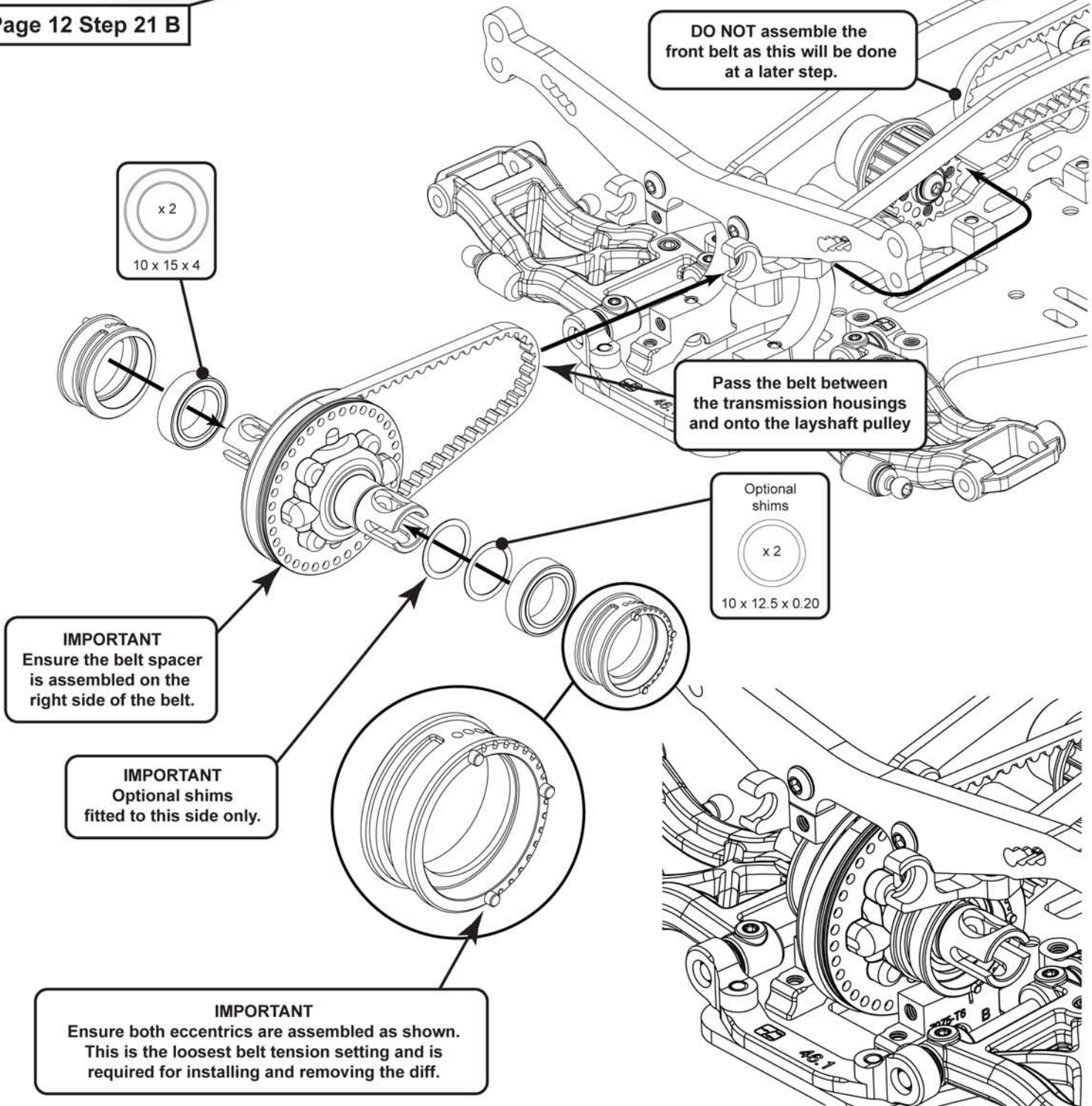
TRANSMISSION

Page 11 Step 20 C

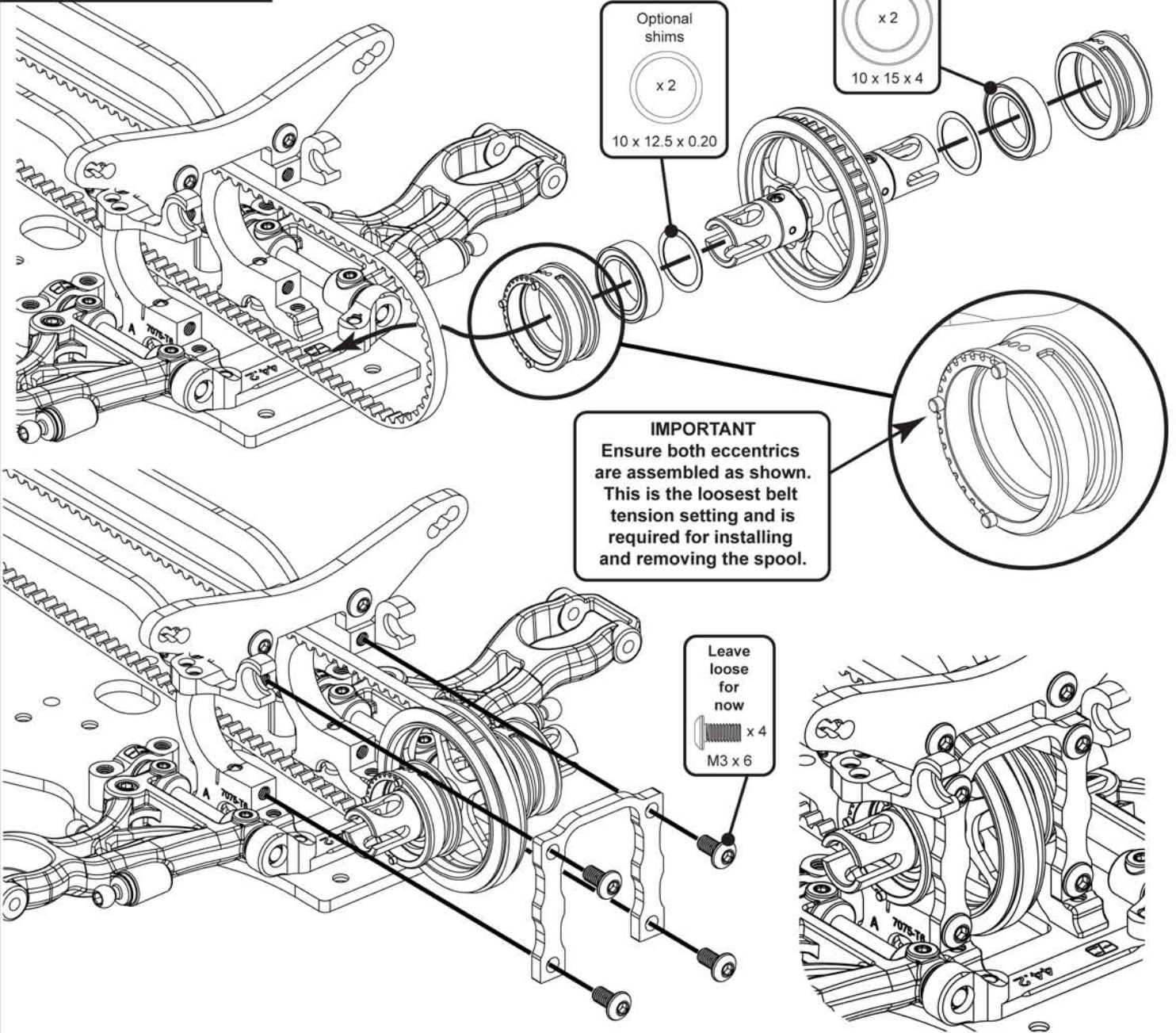
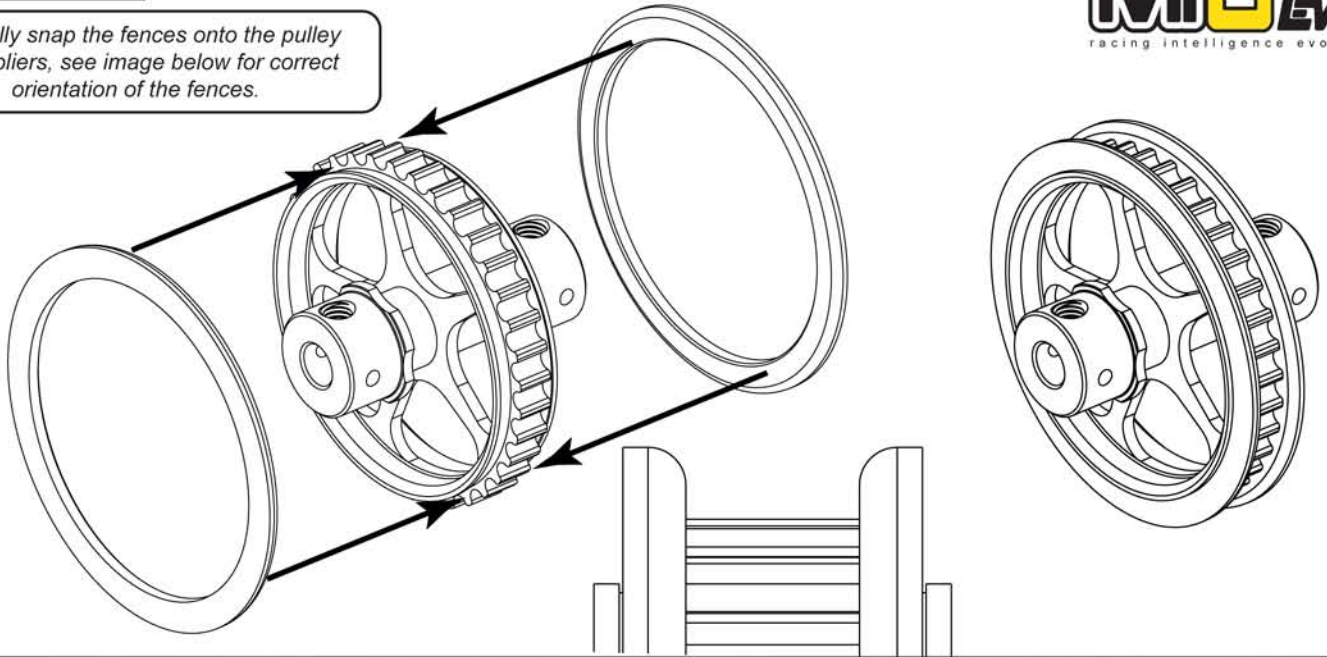


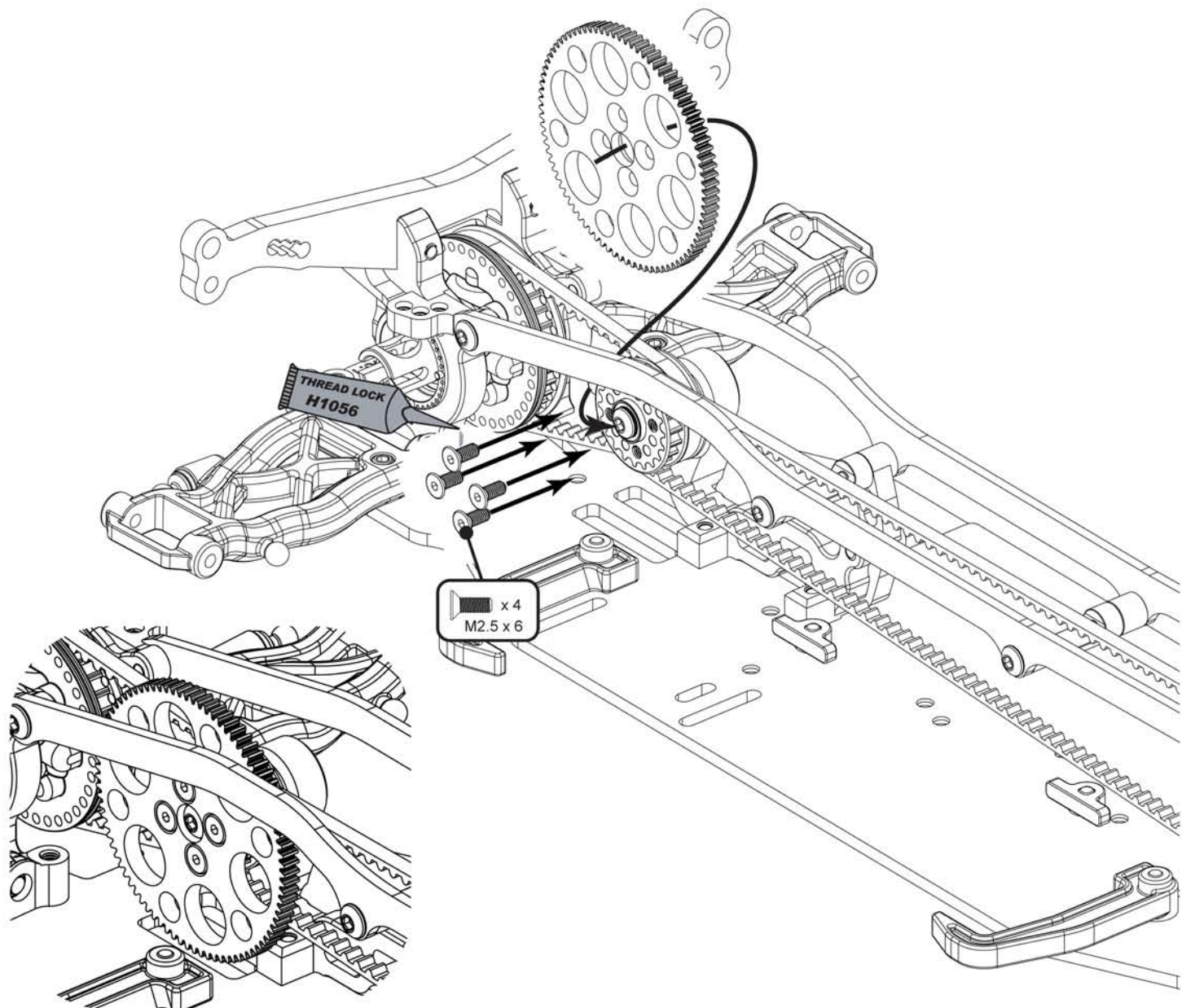
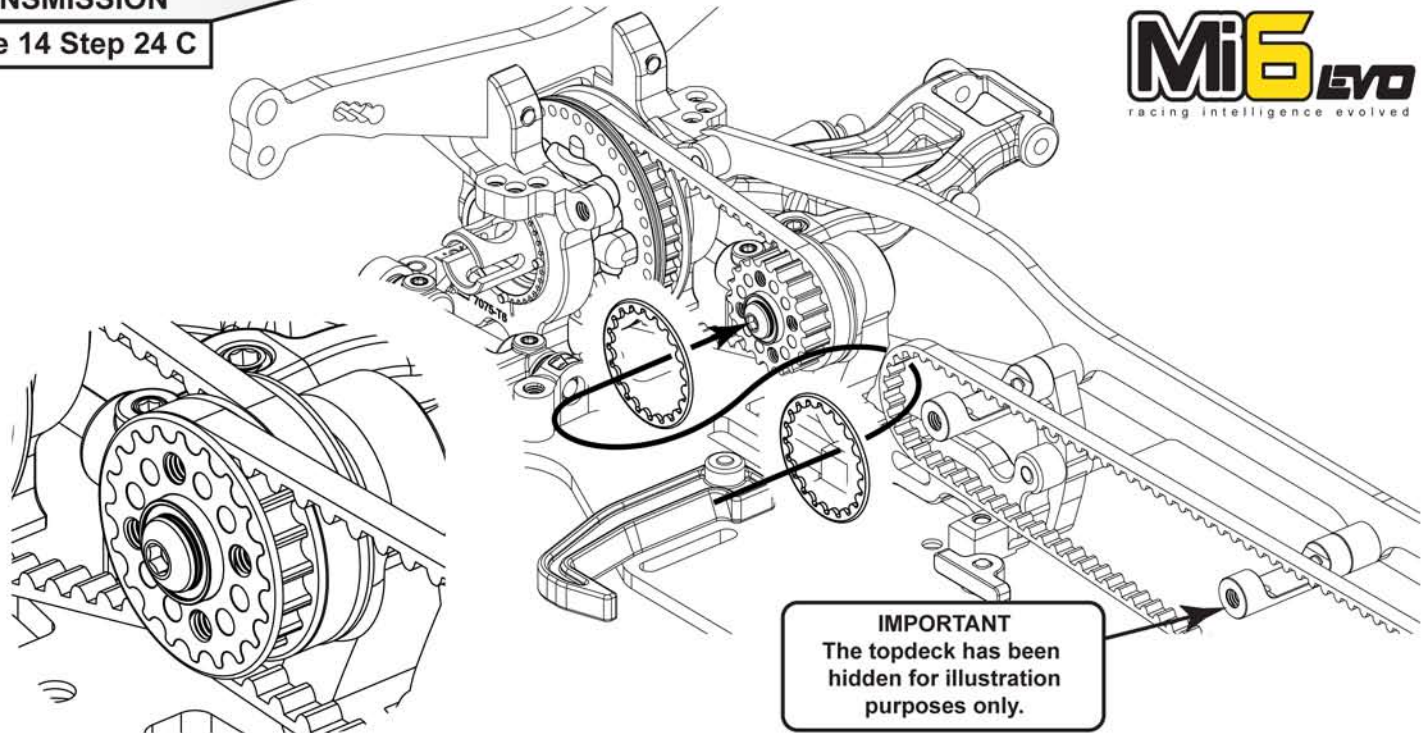
TRANSMISSION

Page 12 Step 21 B



Carefully snap the fences onto the pulley using pliers, see image below for correct orientation of the fences.

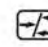


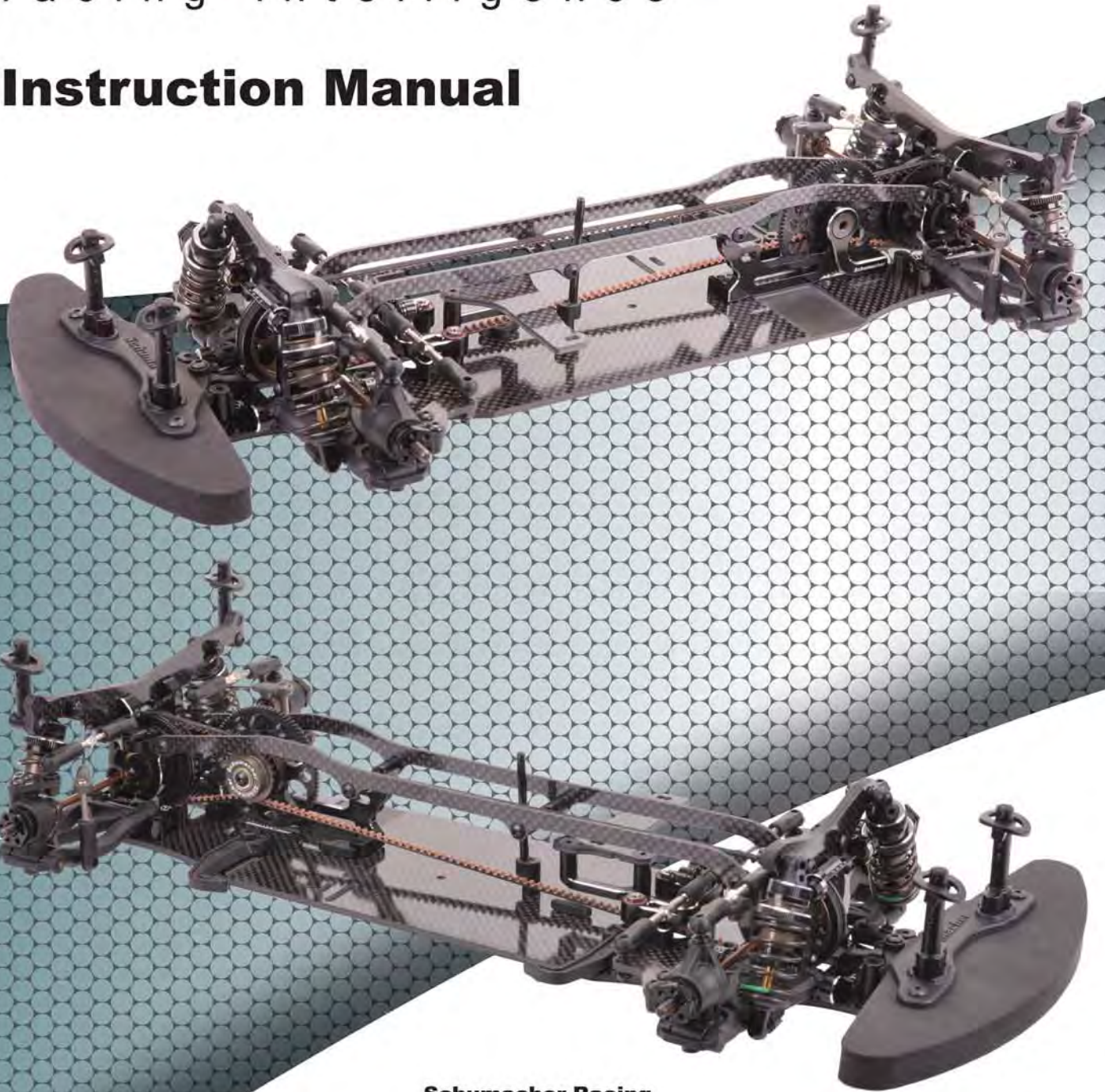


MB6

racing intelligence

Instruction Manual

 performance and technology



Schumacher Racing
71-73 Tenter Road
Moulton Park
Northampton
NN3 6AX
U.K
www.racing-cars.com

**Schumacher**
racing-cars.com

S1384 ISS 1

Additional Items Required

Transmitter and receiver

CR151 - CODE FHSS LCD 2.4G 2 Stick 3Ch Tx+Rx
 CR153 - CODE Sport 2.4G 2 Stick 3Ch Tx+Rx
 CR277 - CODE Steerwheel 2.4G 3Ch Tx+Rx



(Batteries not included)

Servo

CR495 CORE RC - 9009LP Low Profile Servo



Electronic Speed Controller

Li-Po Battery



CORE RC Battery Tape



CR005 Black
 CR006 Blue
 CR037 Purple
 CR159 Orange

Motor



Pinion Gear

Battery Charger

CR161 UAC50 Charger 12v/110-240v 6A



Bodyshell



Wheels, tyres and glue



Paint

CR522 CORE RC Pro Tyre Glue + 2 Nozzles

CR044 Curved Body Scissors



U2818 Schumacher Body Reamer



CR528 Snipe Nose Serrated Pliers 125mm



U2789 Hex Driver - 1.5mm
 U2790 Hex Driver - 2.0mm
 U2791 Hex Driver - 2.5mm
 U2792 Hex Driver - 3.0mm



U2795 M3 Nut Driver
 U2796 M4 Nut Driver



Soldering Iron
 CR266 40w
 CR275 80w

U3107 - Solder



MR6

racing intelligence
 Schumacher Racing stocks and distributes the following manufacturers products and full product listings are available on our website at

www.racing-cars.com

PLEASE NOTE THAT SOME OF THE PRODUCT RANGES BELOW ARE ONLY AVAILABLE IN THE UNITED KINGDOM.

CORE-RC

TEAM SOREX

KO PROPO

SANWA

HIGHEST

SHIMIZO RACING

EDS

AM

HOBBY KING

Speed Passion

HUSKAR

THUNDER POWER RC

5D

Intellect

RIDE

SKYRC

Team X Bomber

MP

Mutec

SXT

Killerbody

RHEINARD R330

LC RACING

contact

ANDERSON RACING

Fast Gear

SPEC!

WLT

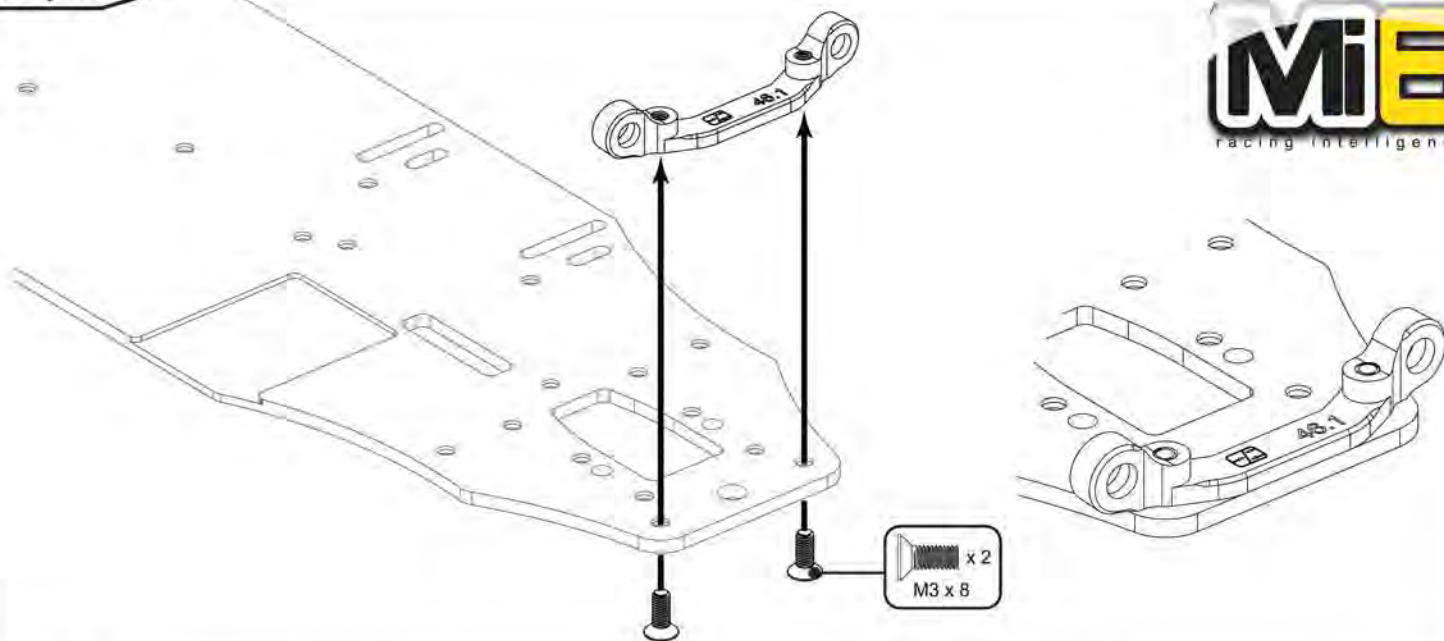
NANO

WLT

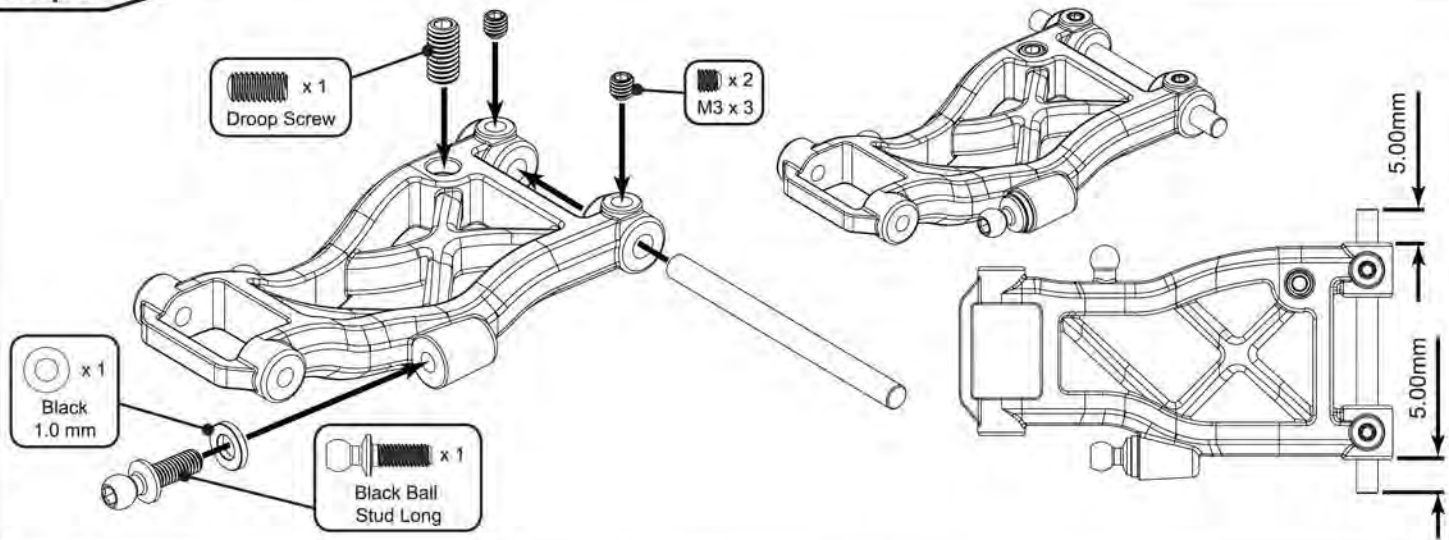
IMPORTANT SAFETY NOTES

- This product is not suitable for children under the age of 14, without the direct supervision of a responsible adult.
- Select an area for assembly that is away from the reach of small children.
- The parts in this kit are small and can be swallowed by children causing choking and possible internal injuries.
- Exercise care when using hand tools and sharp instruments during assembly.
- Carefully read all manufacturers warnings and cautions for any additional items used in the construction.
- In line with our policy of continuous development the exact details of the kit may vary.
- DO NOT use this car on public roads or in places where it can interfere with traffic, people or animals.
- Always check the operation of the radio with the wheels off the ground, before using the car.
- Make sure the radio and car batteries are fully charged before use.
- Disconnect and remove the battery from the car when not in use.
- Always store and charge LiPo batteries in a fireproof container.
- DO NOT put fingers or any objects inside rotating or moving parts as this may cause injury.
- Make sure the charger is correctly set for the type of battery you are using. Incorrect charging may cause a fire.
- Insulate all exposed electrical wiring. Exposed or damaged wires can cause short circuits and fire.
- The motor and speed controller can become hot during use. DO NOT touch them immediately after using your car as this may cause injury.

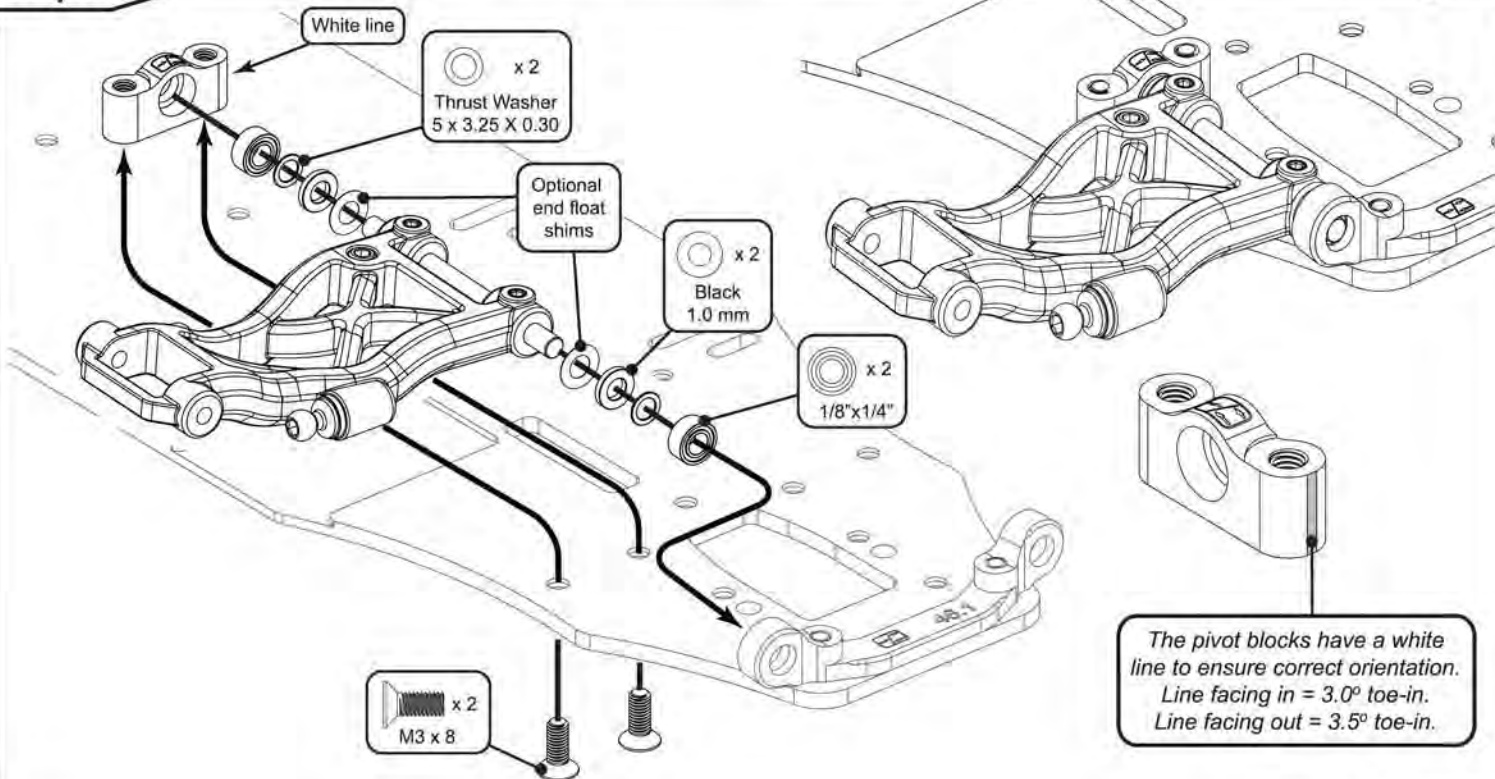
Step 1



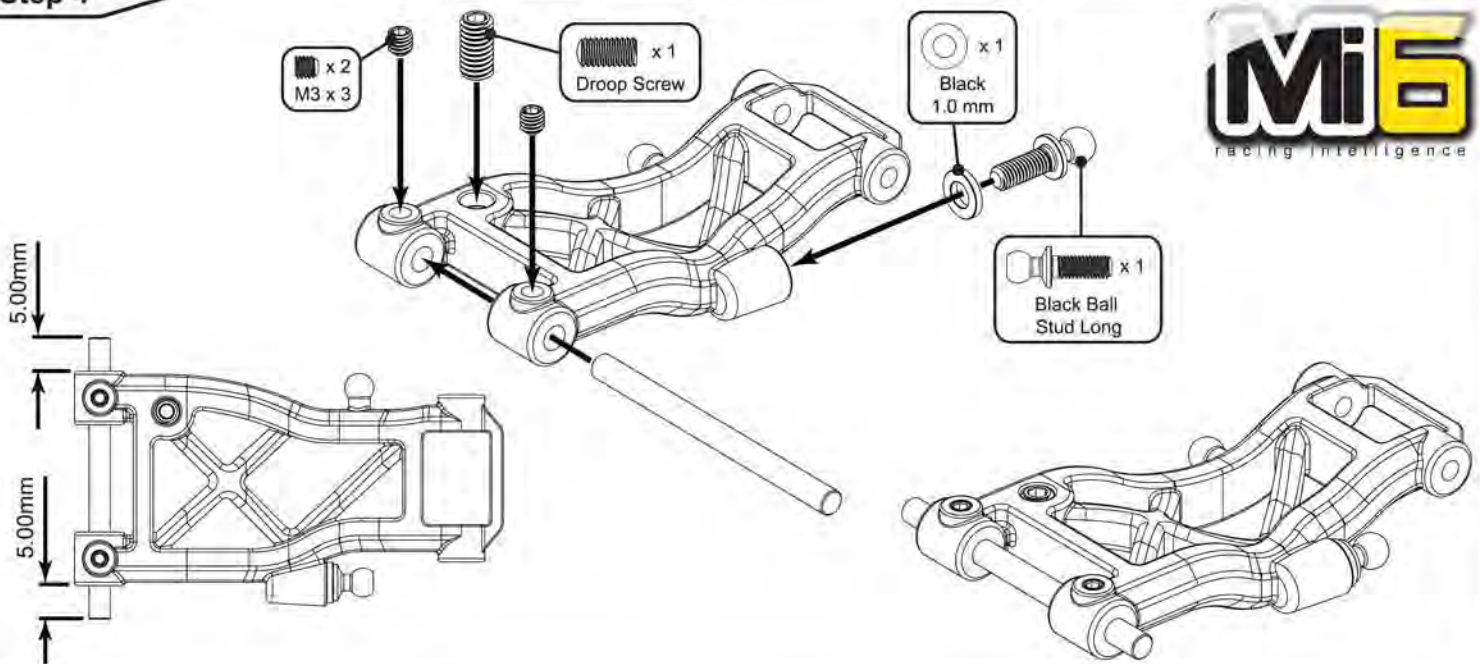
Step 2



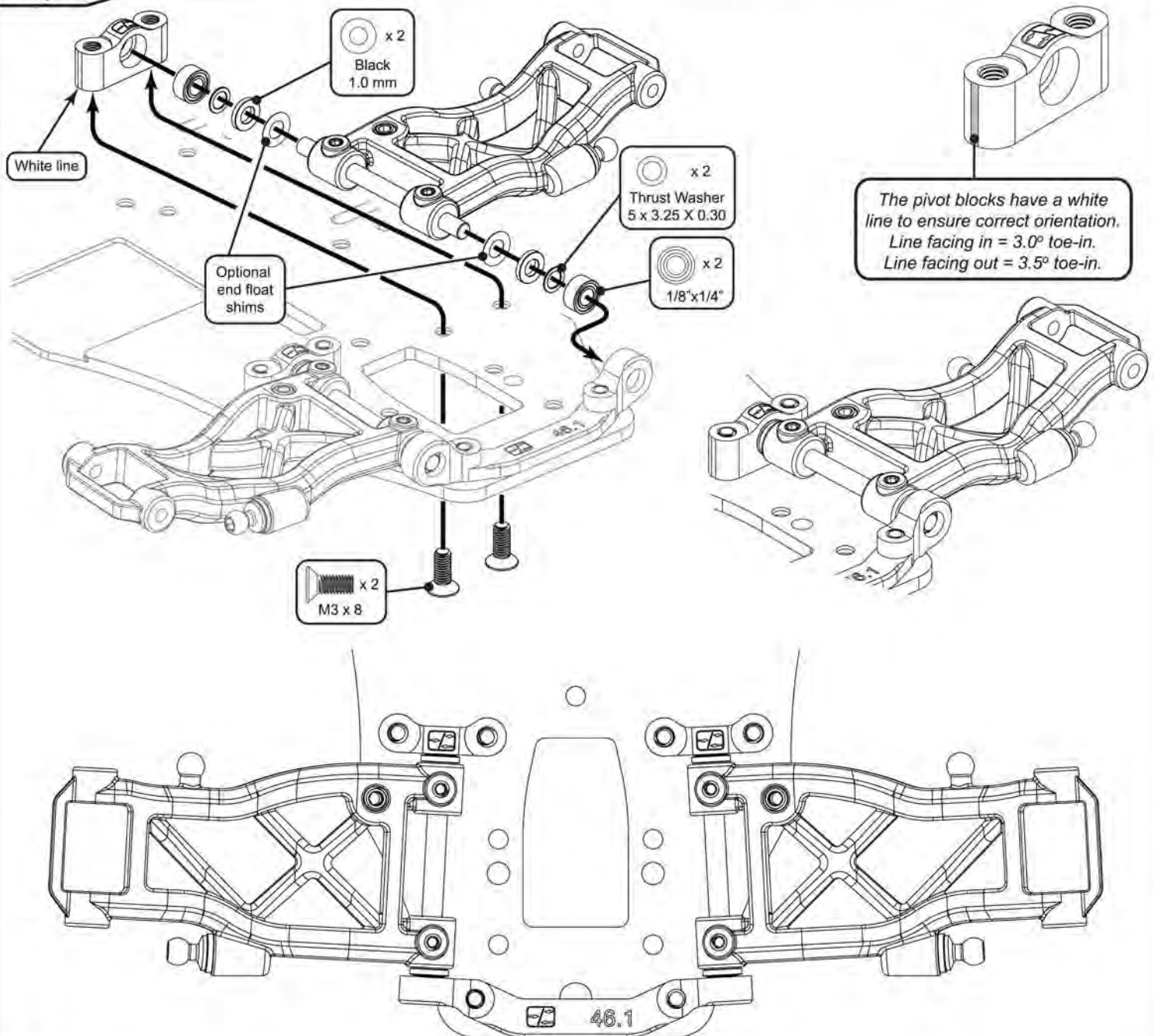
Step 3



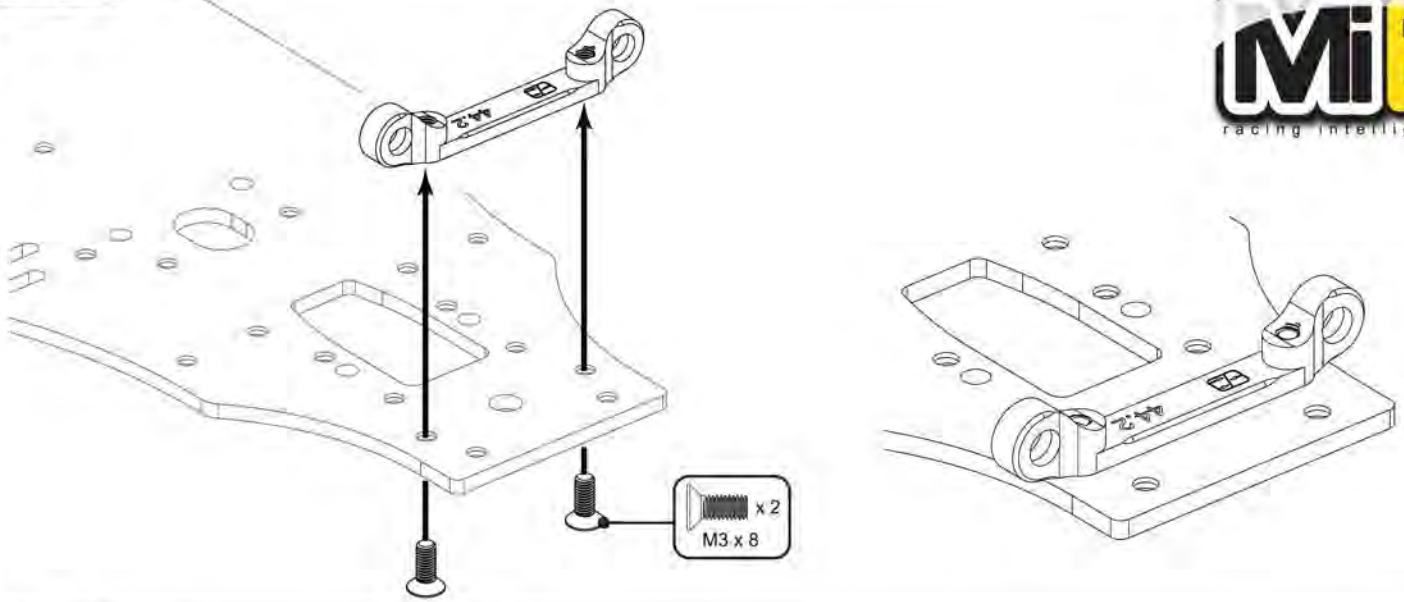
Step 4



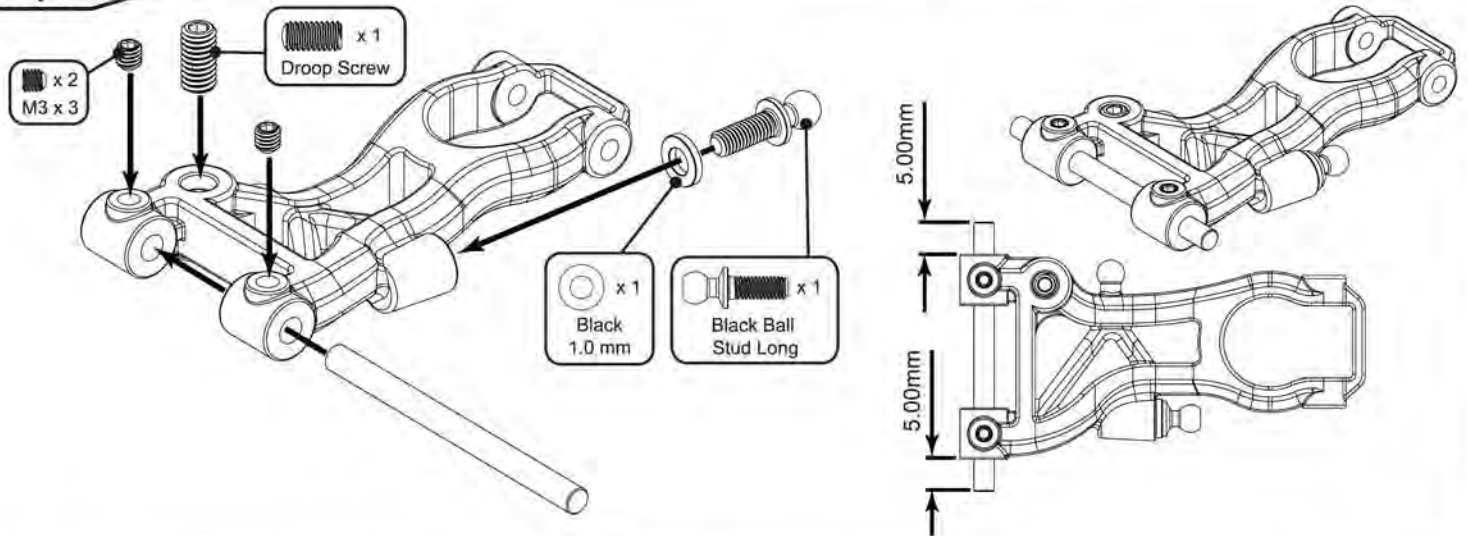
Step 5



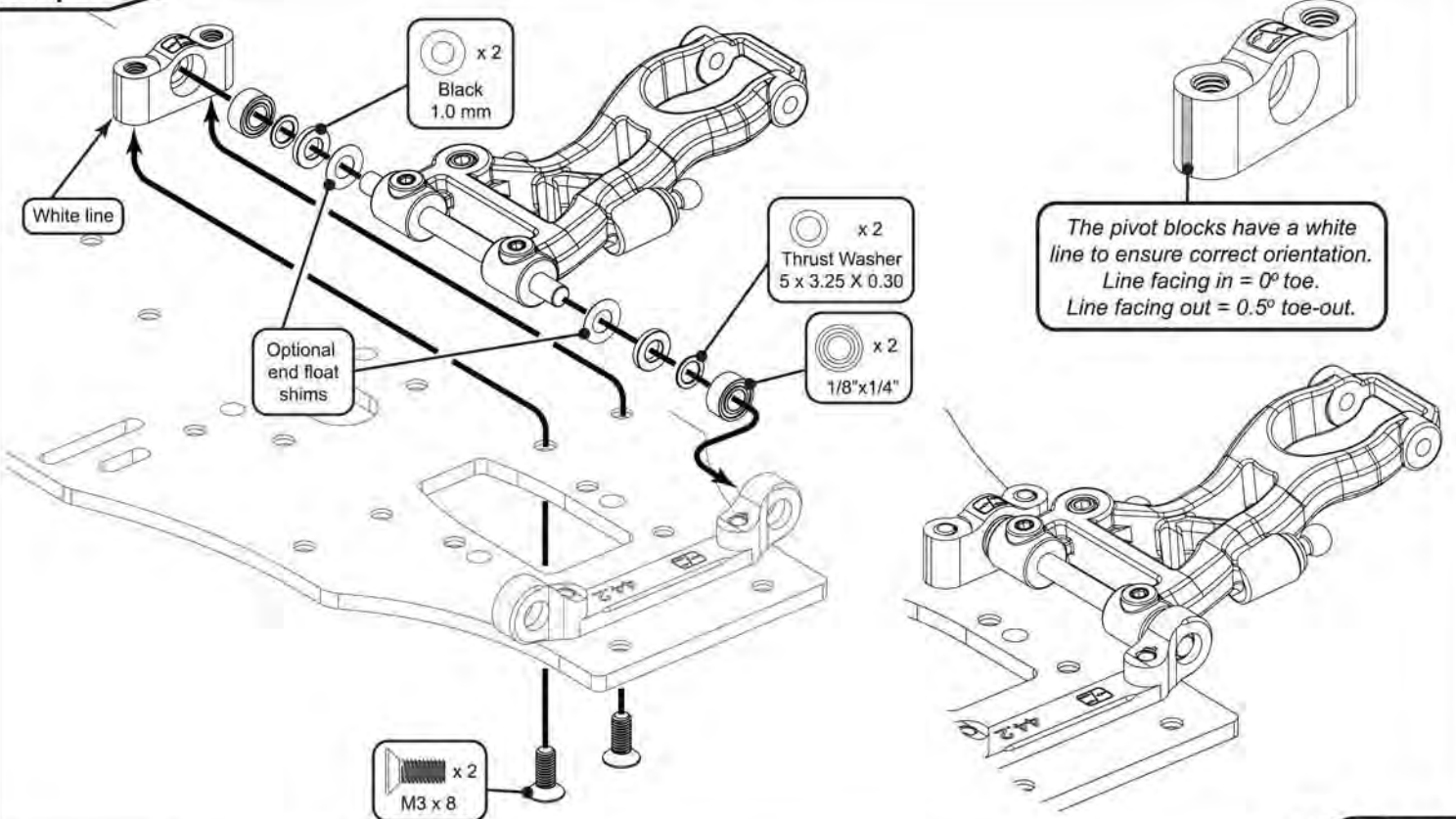
Step 6



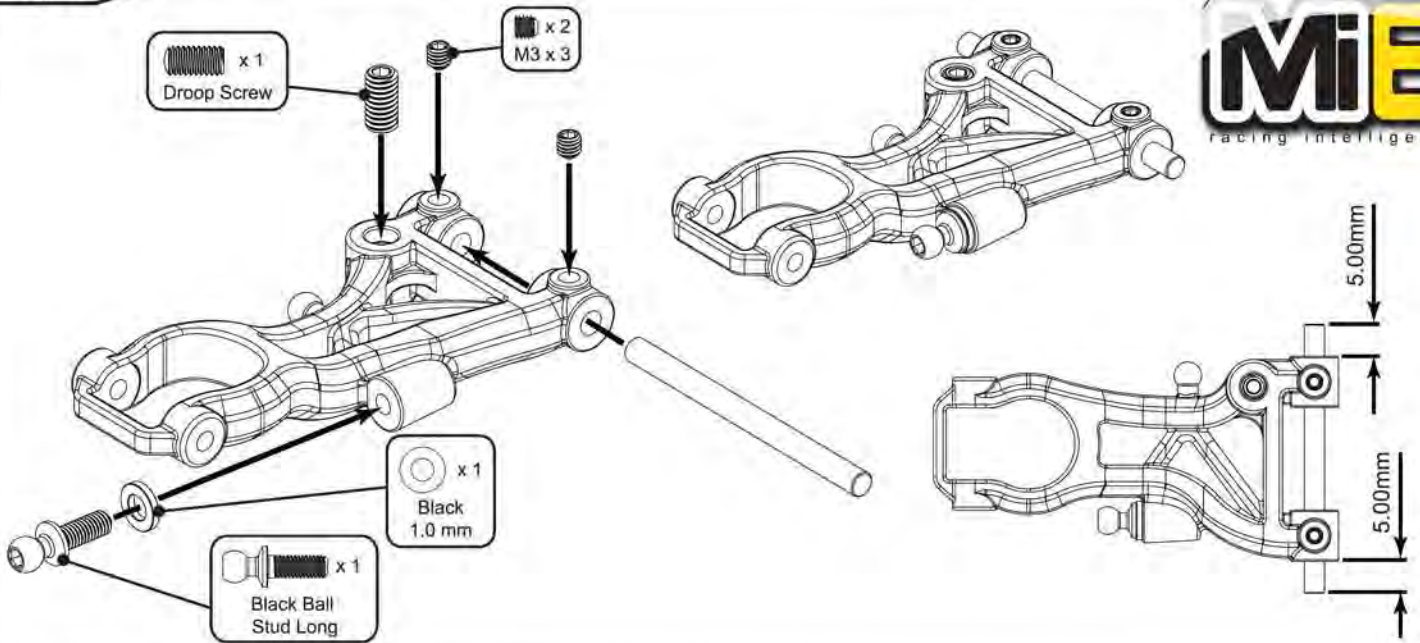
Step 7



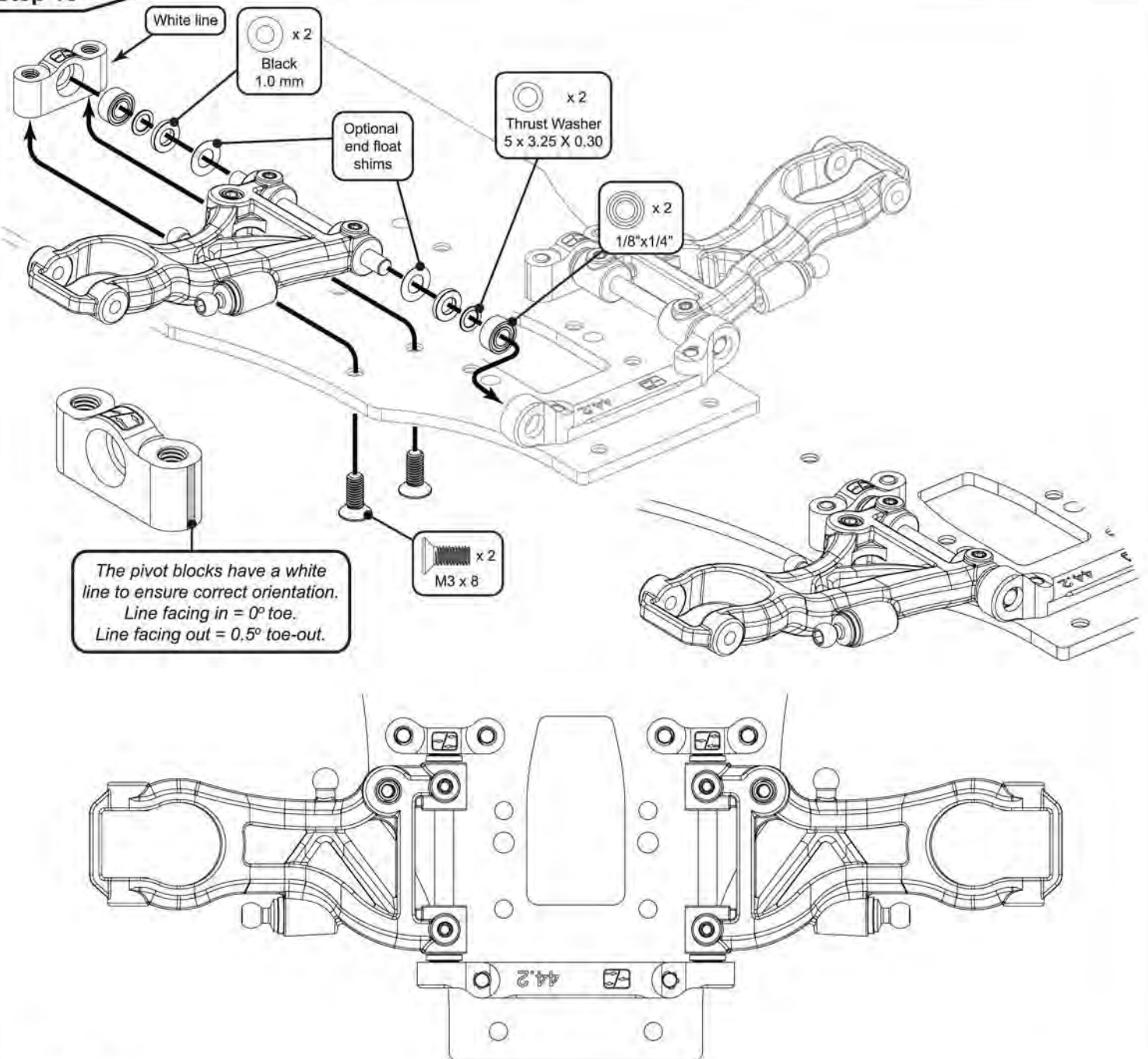
Step 8



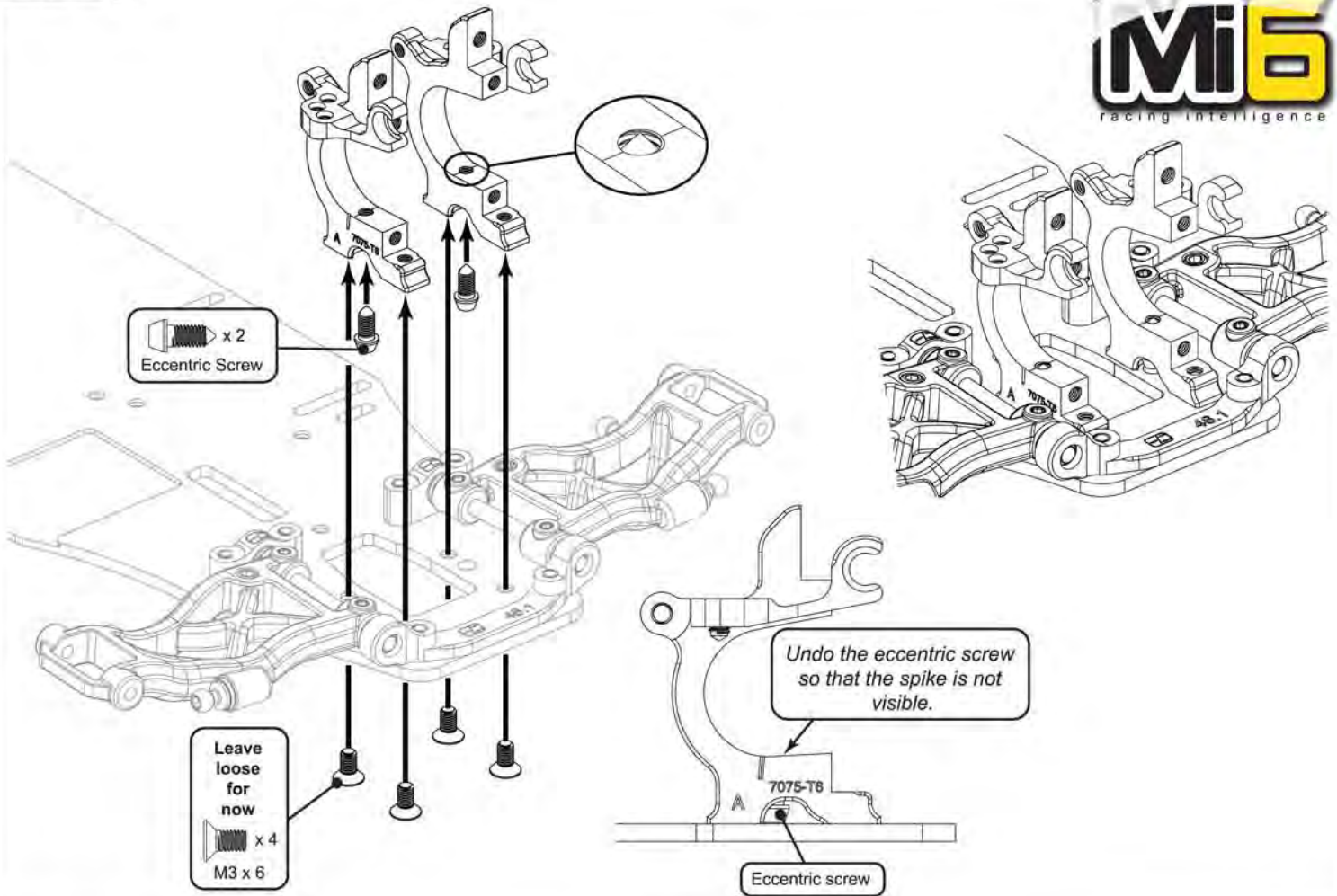
Step 9



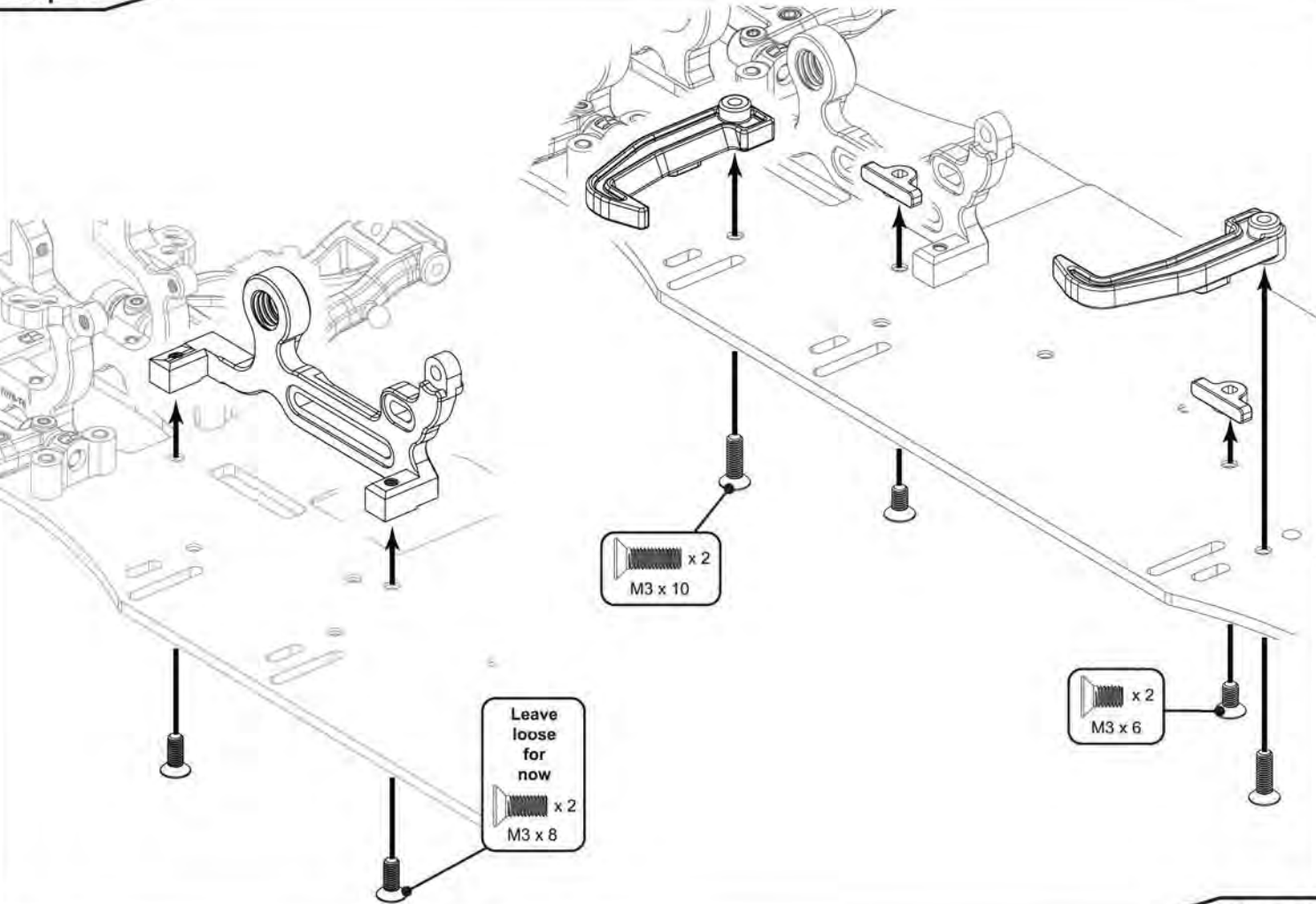
Step 10



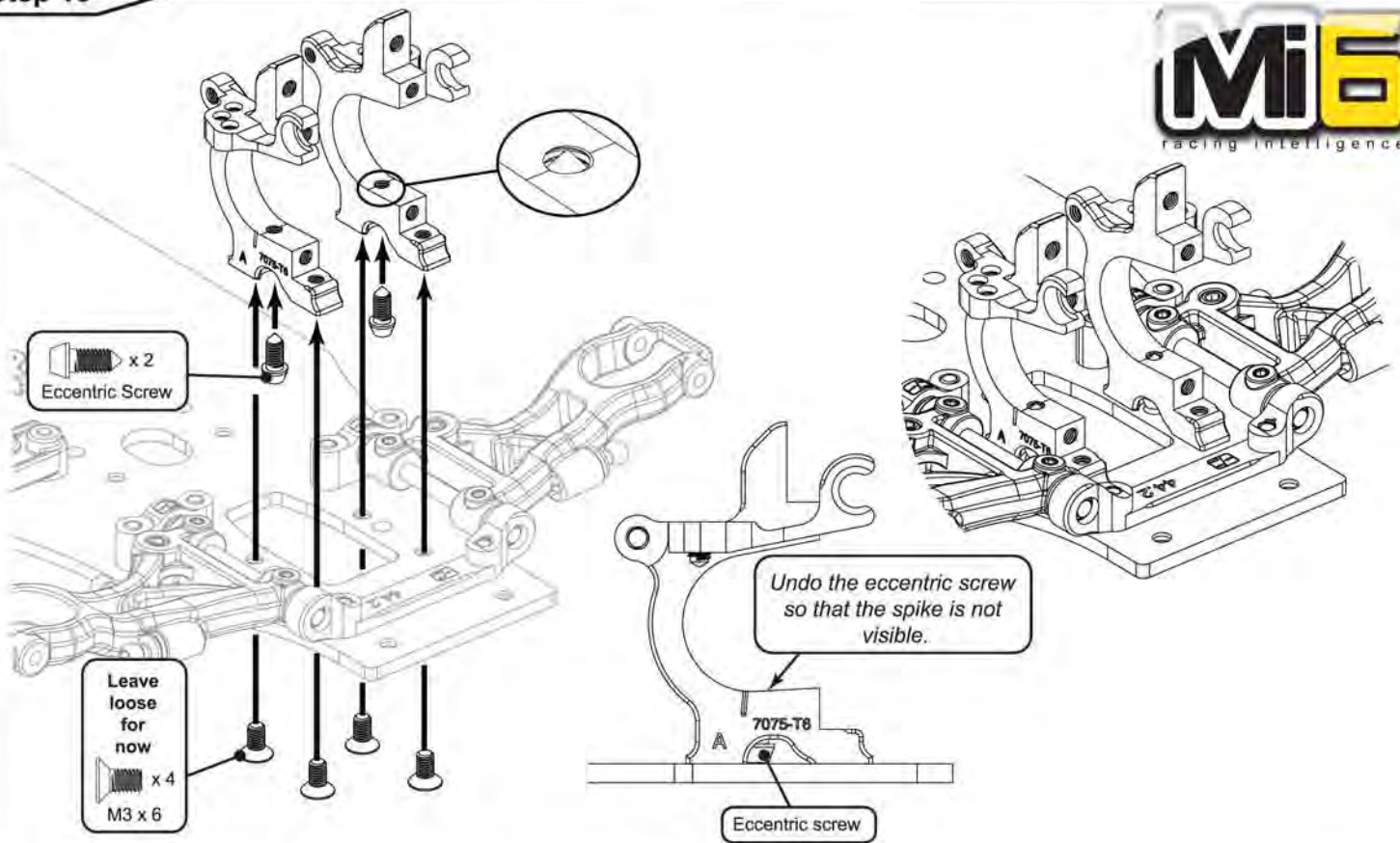
Step 11



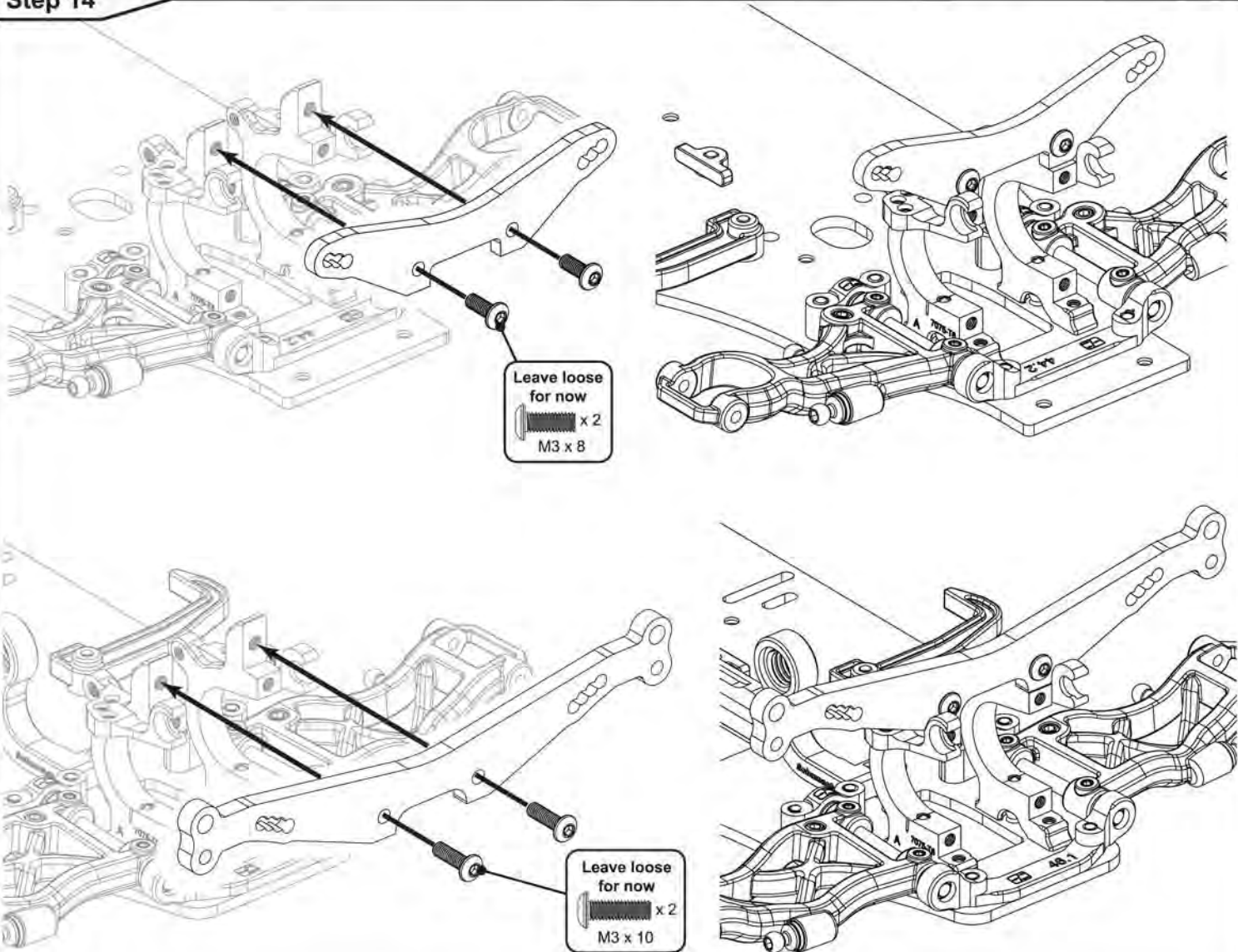
Step 12



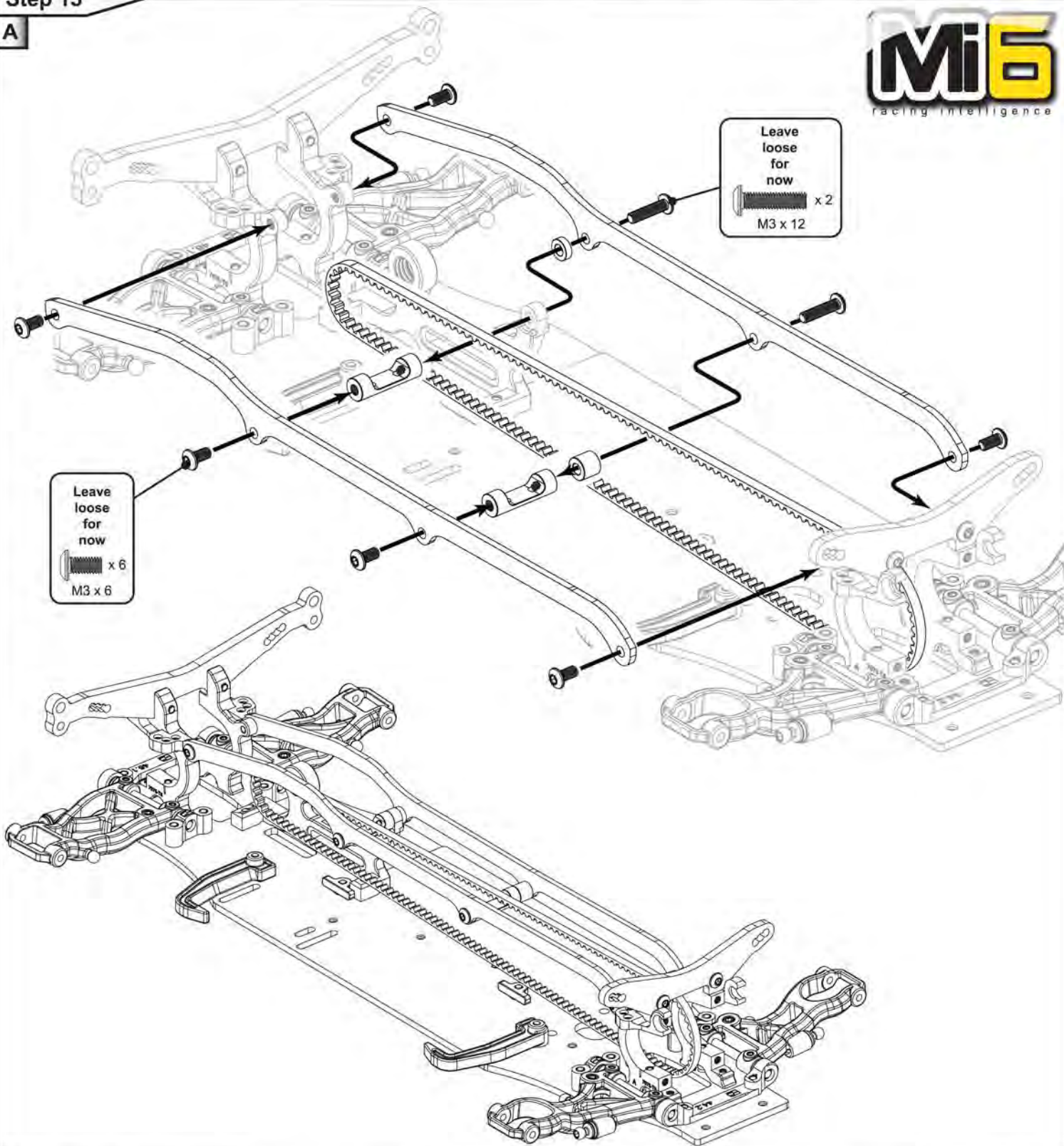
Step 13



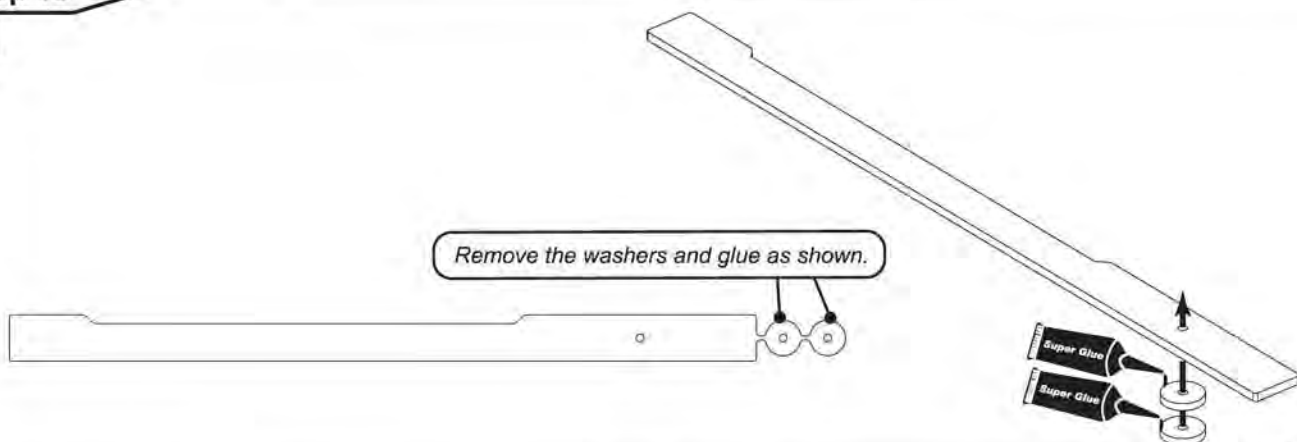
Step 14

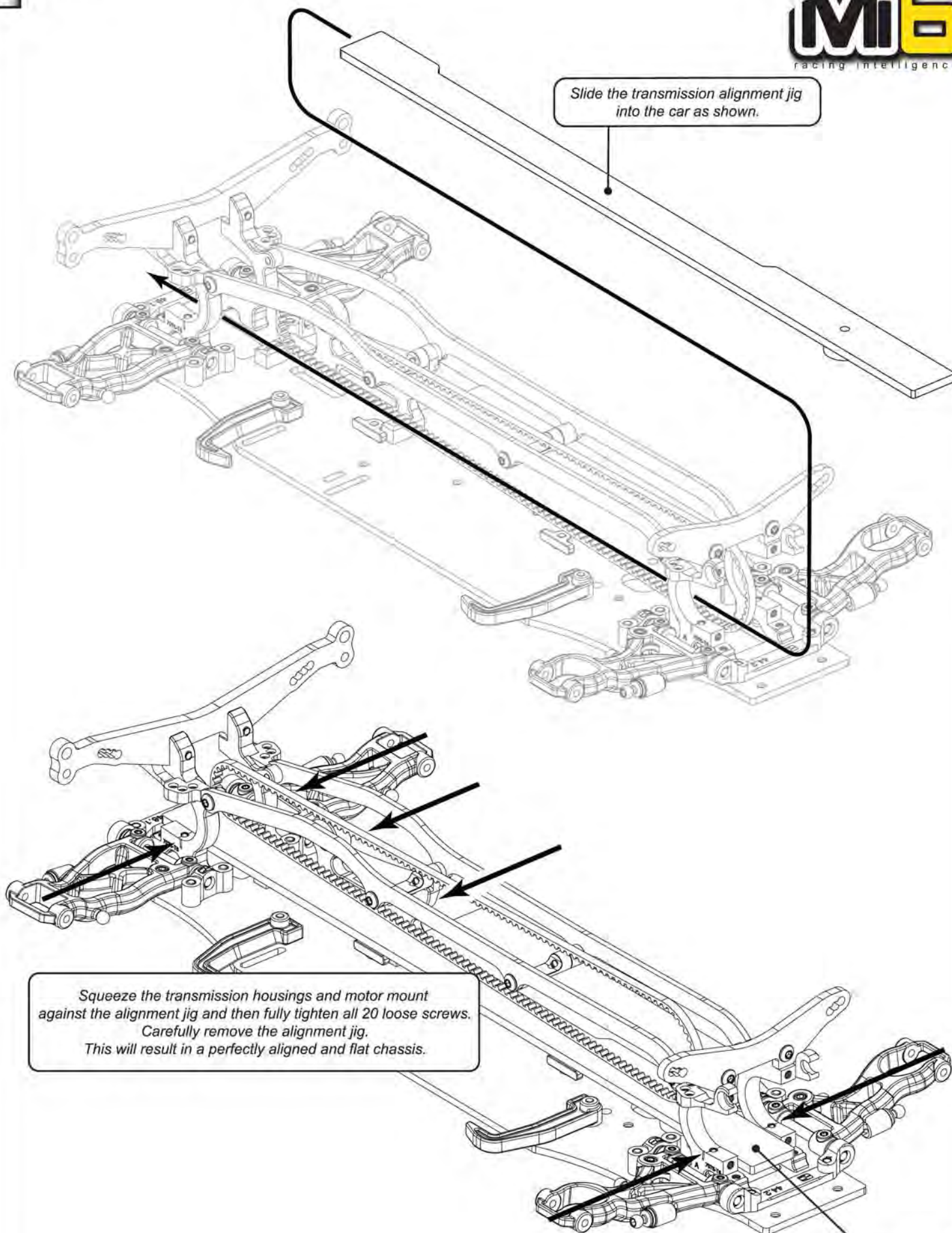


A



B



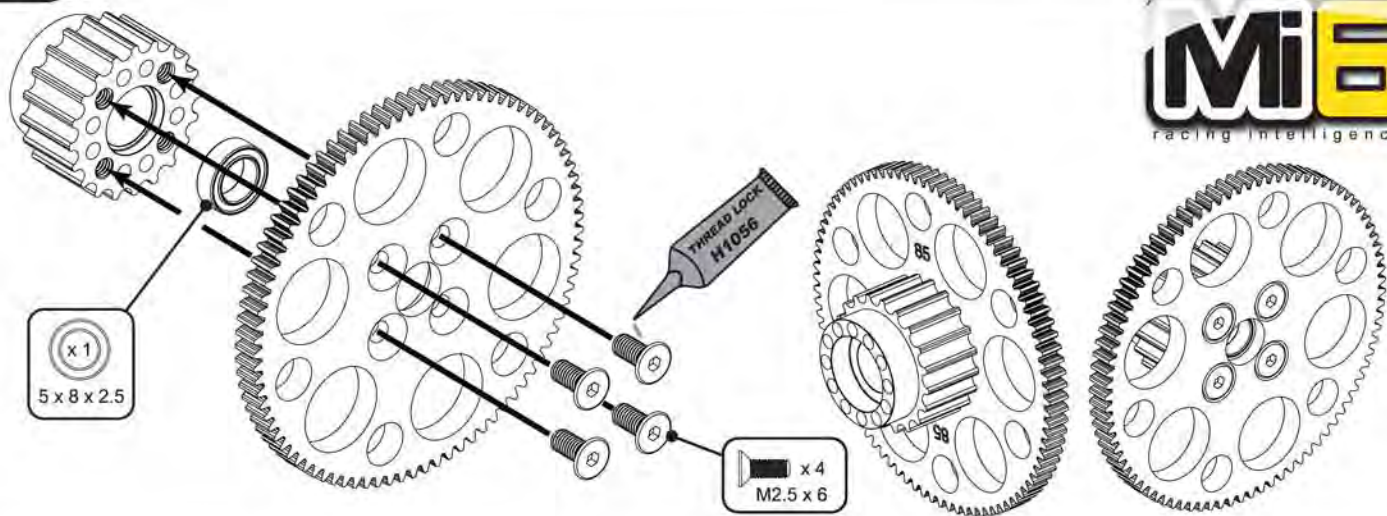


Slide the transmission alignment jig into the car as shown.

Squeeze the transmission housings and motor mount against the alignment jig and then fully tighten all 20 loose screws. Carefully remove the alignment jig. This will result in a perfectly aligned and flat chassis.

The jig should be central between the front and rear transmission housings.

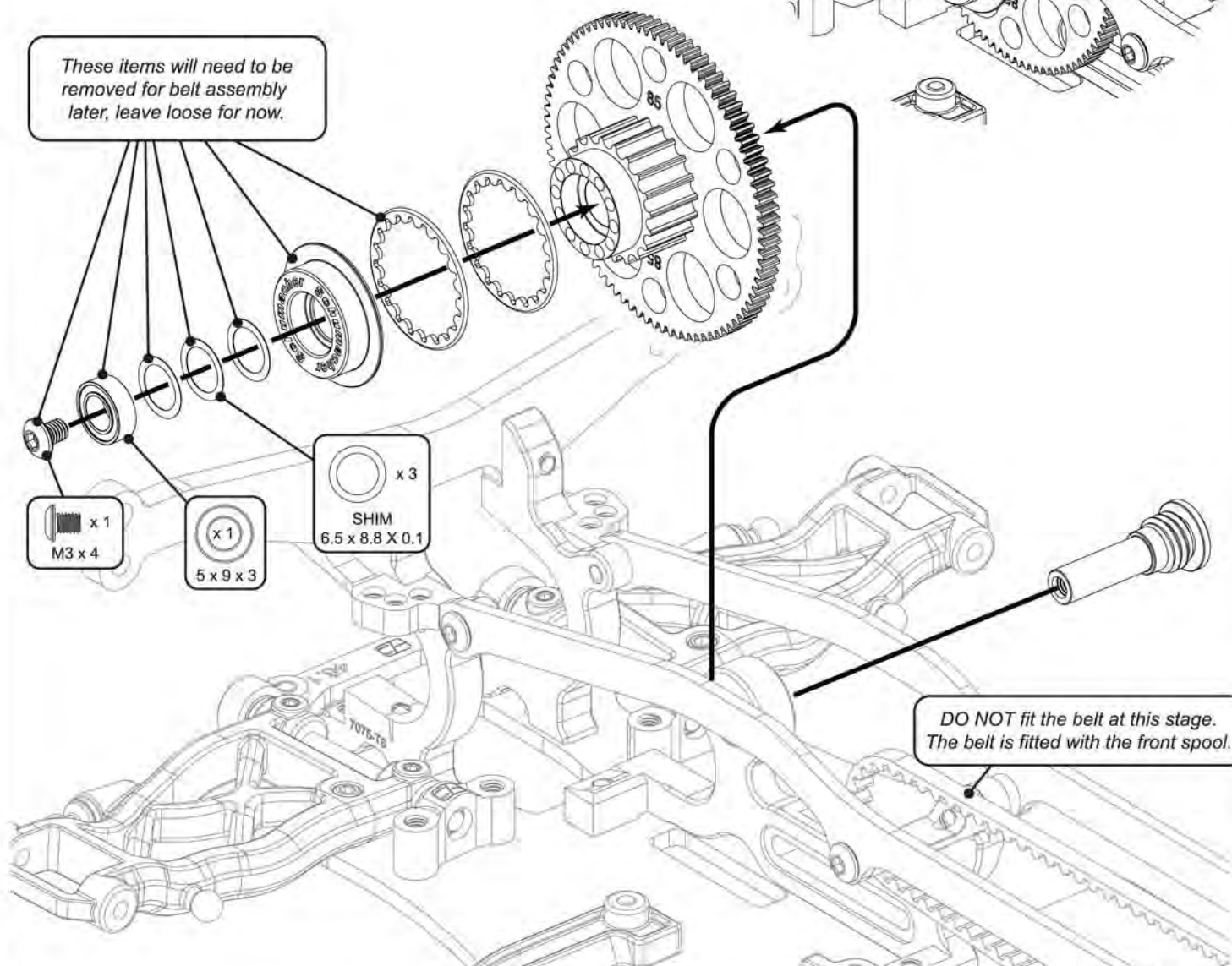
Step 16



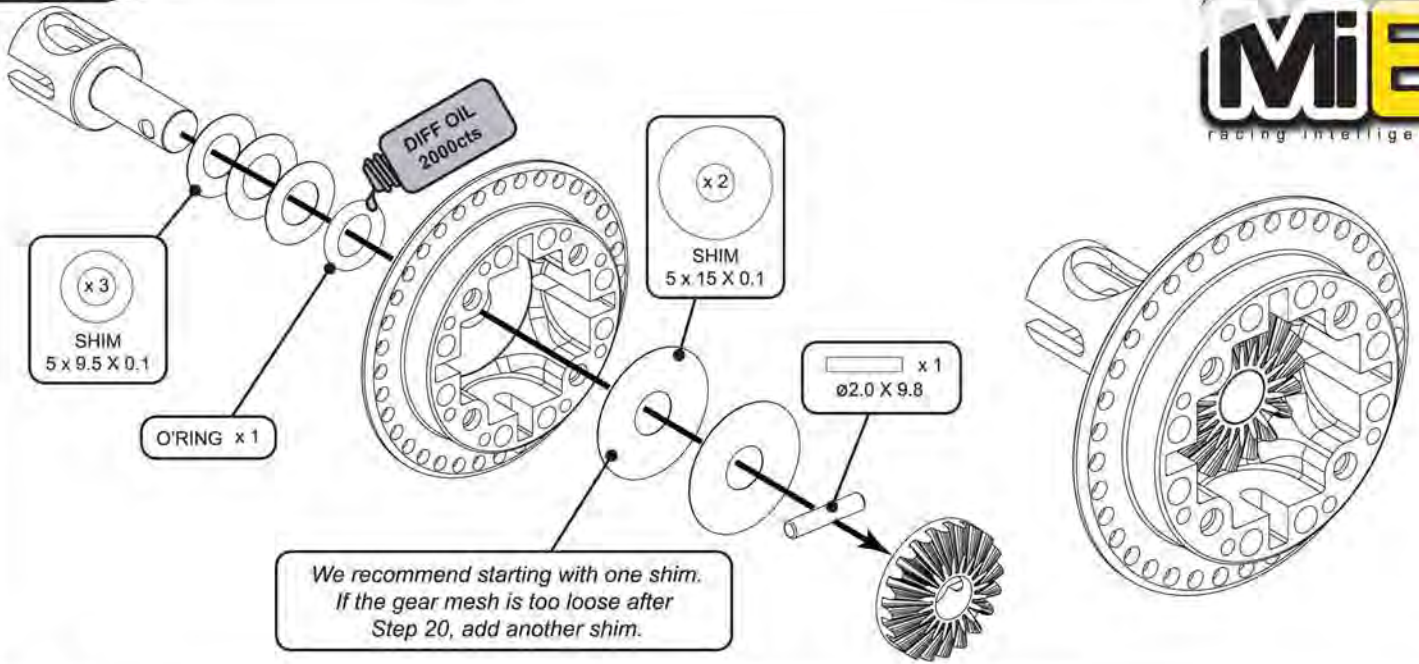
Step 17

The three shims are used to adjust the end float of the gear/pulley assembly.
Use the correct number of shims to achieve minimal endfloat and a freely rotating assembly.

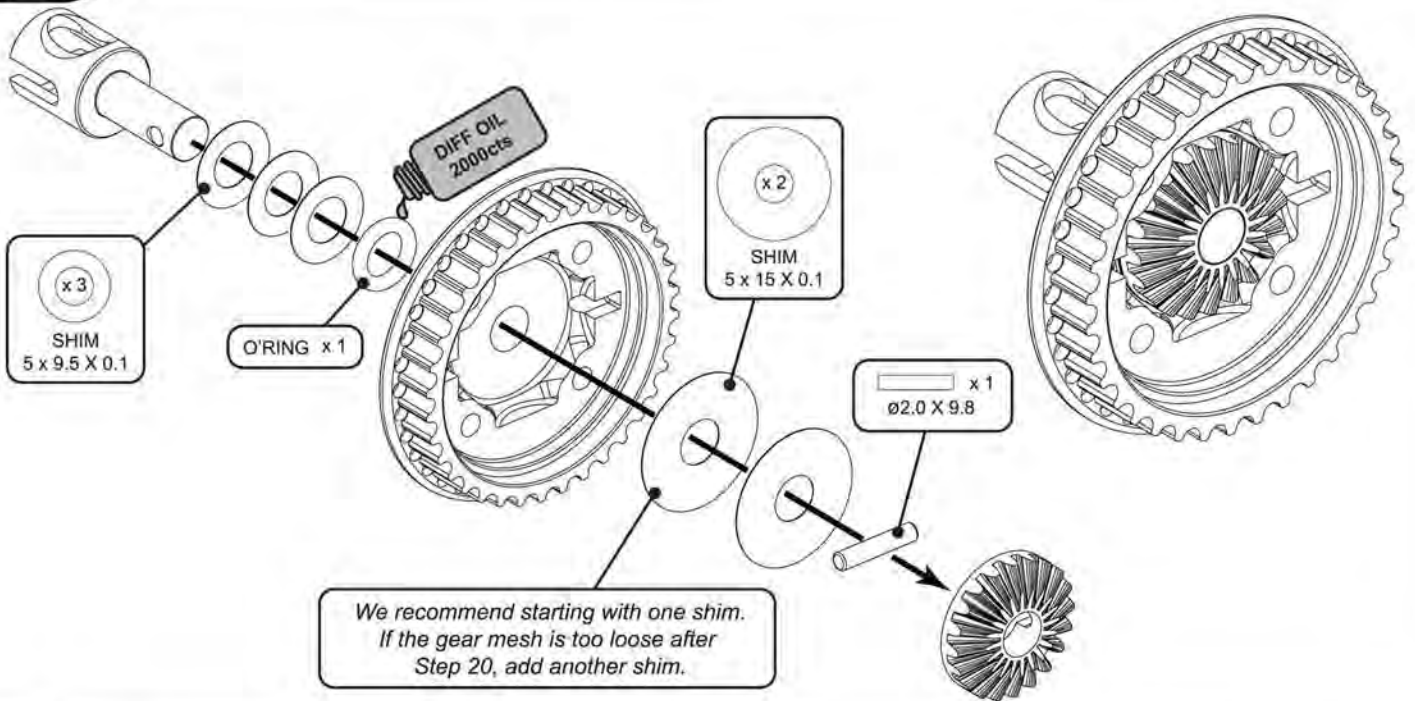
These items will need to be removed for belt assembly later, leave loose for now.



Step 18

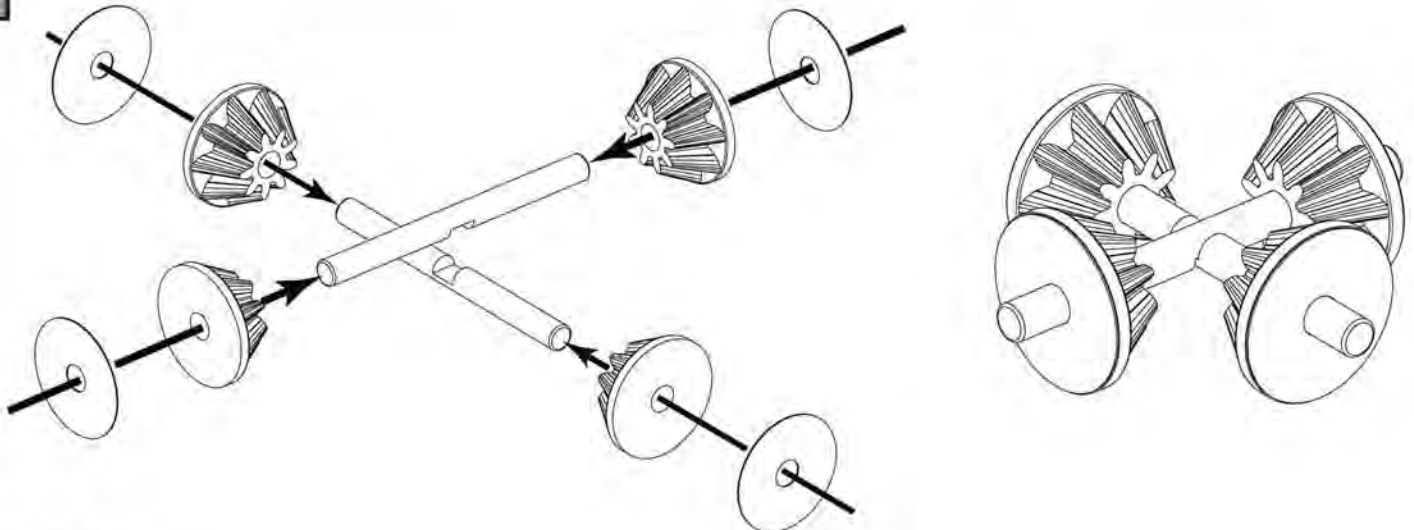


Step 19



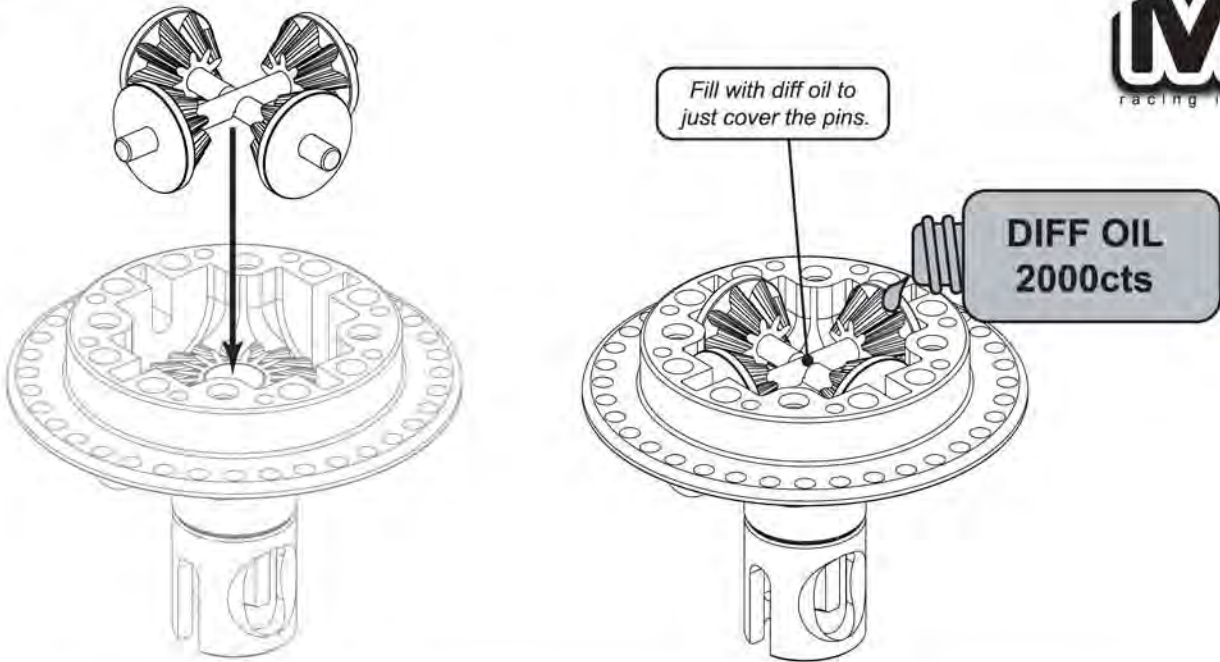
Step 20

A



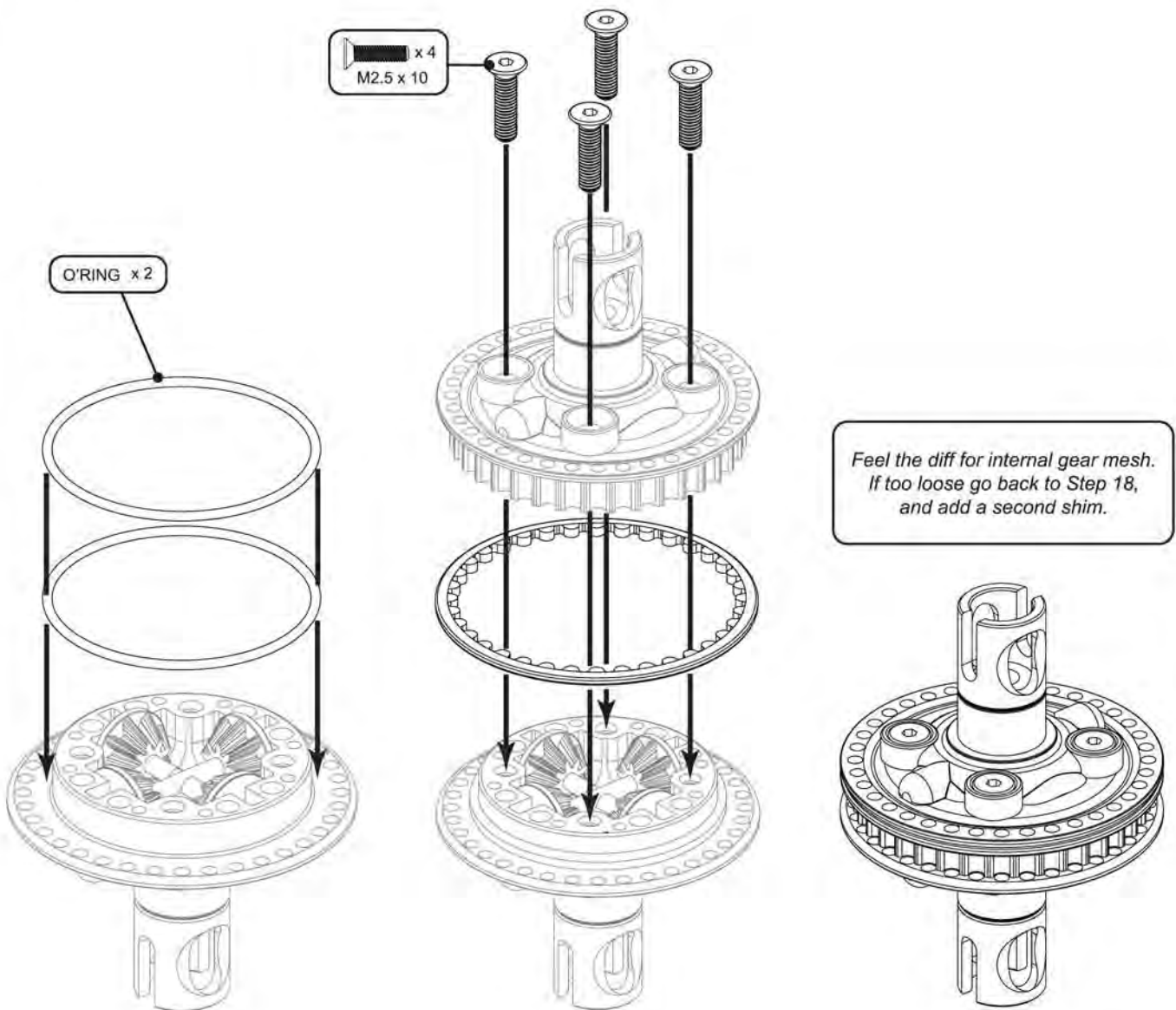
Step 20

B



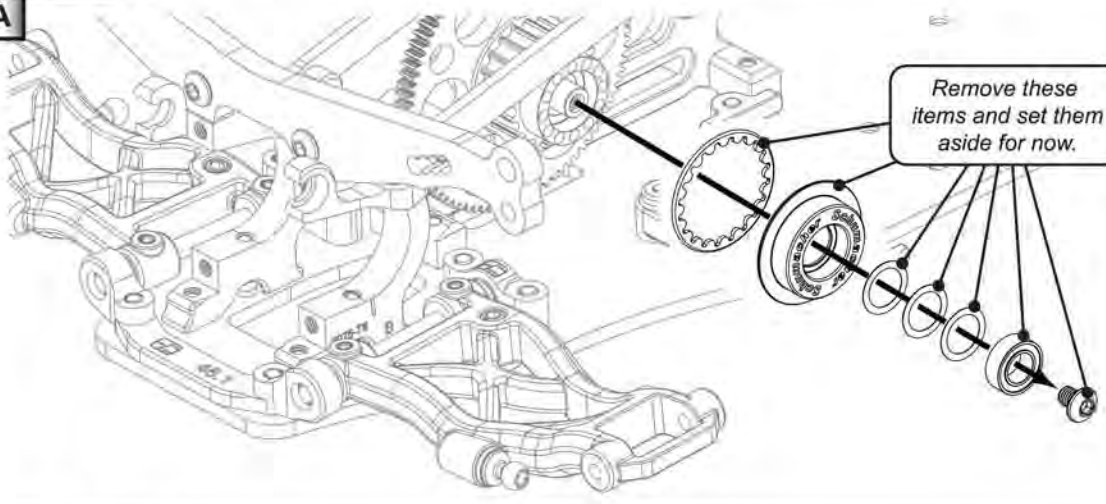
Step 20

C



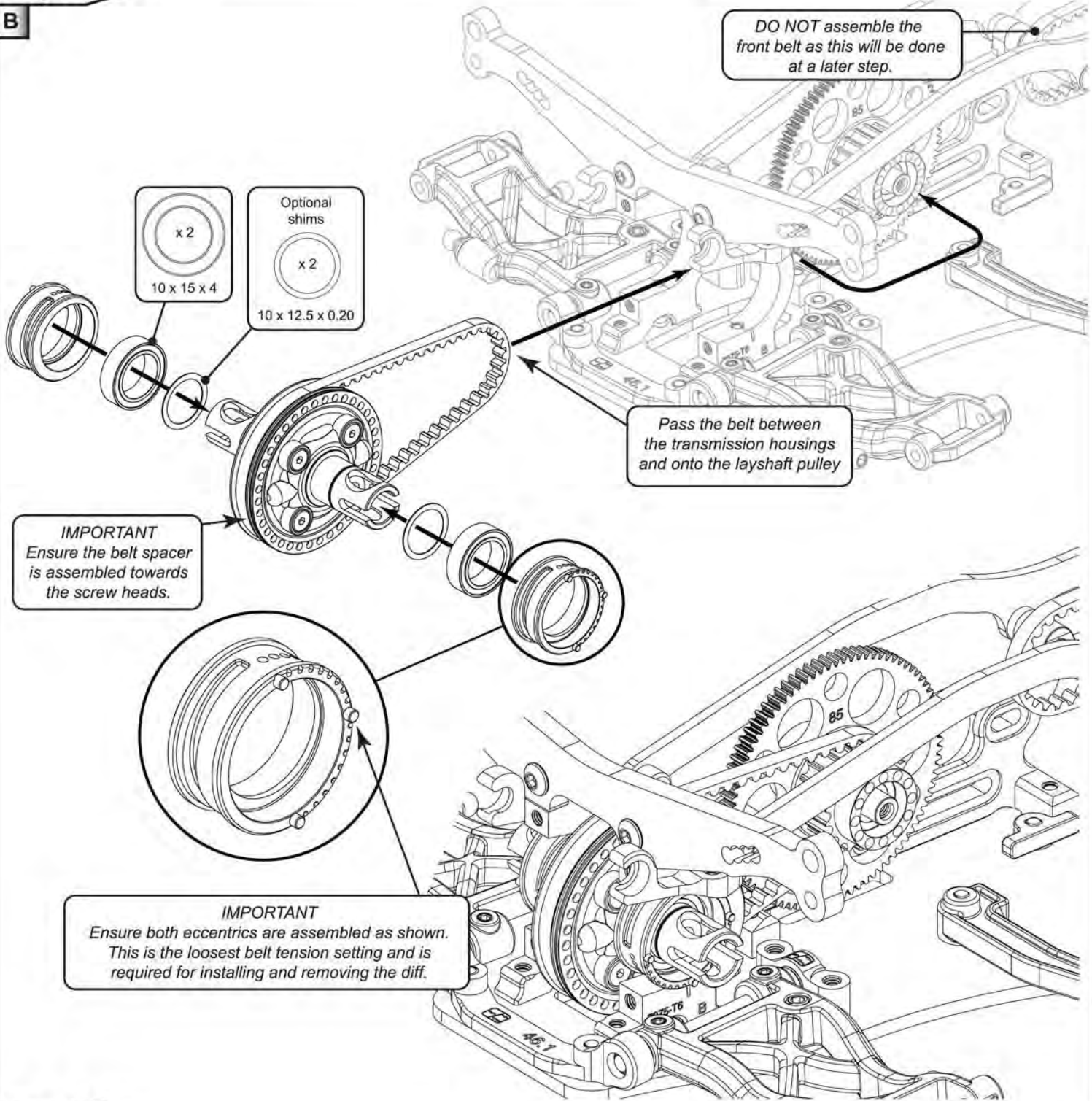
Step 21

A



Step 21

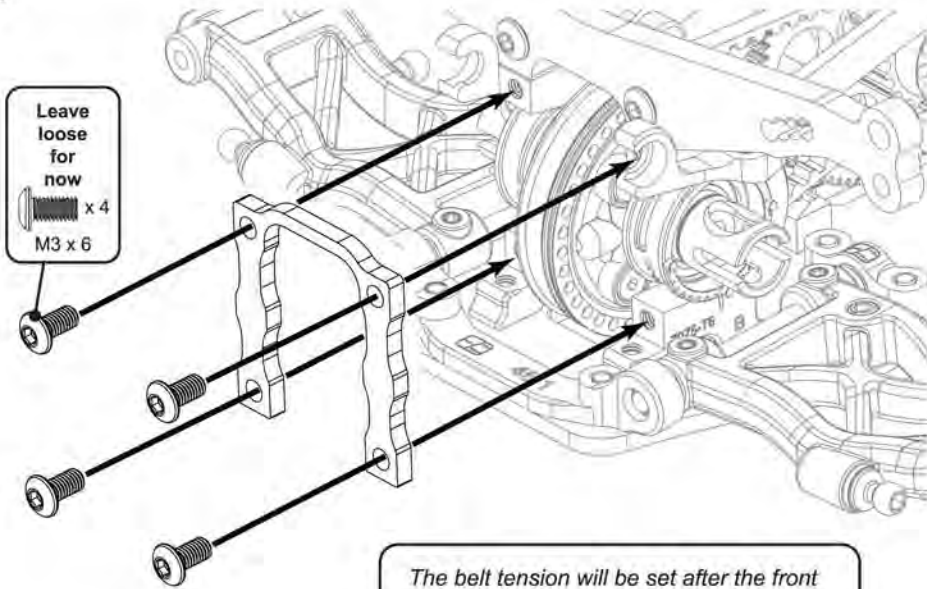
B



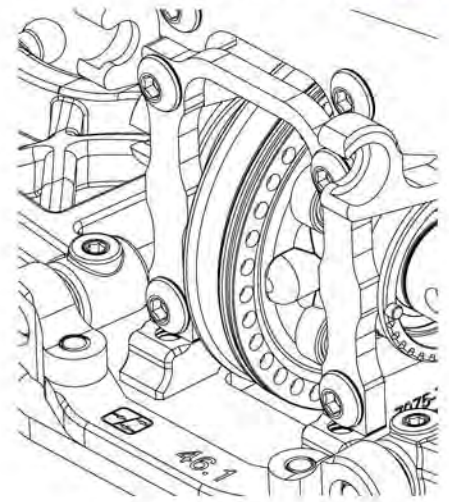
Step 21

C

Leave loose for now
x 4
M3 x 6

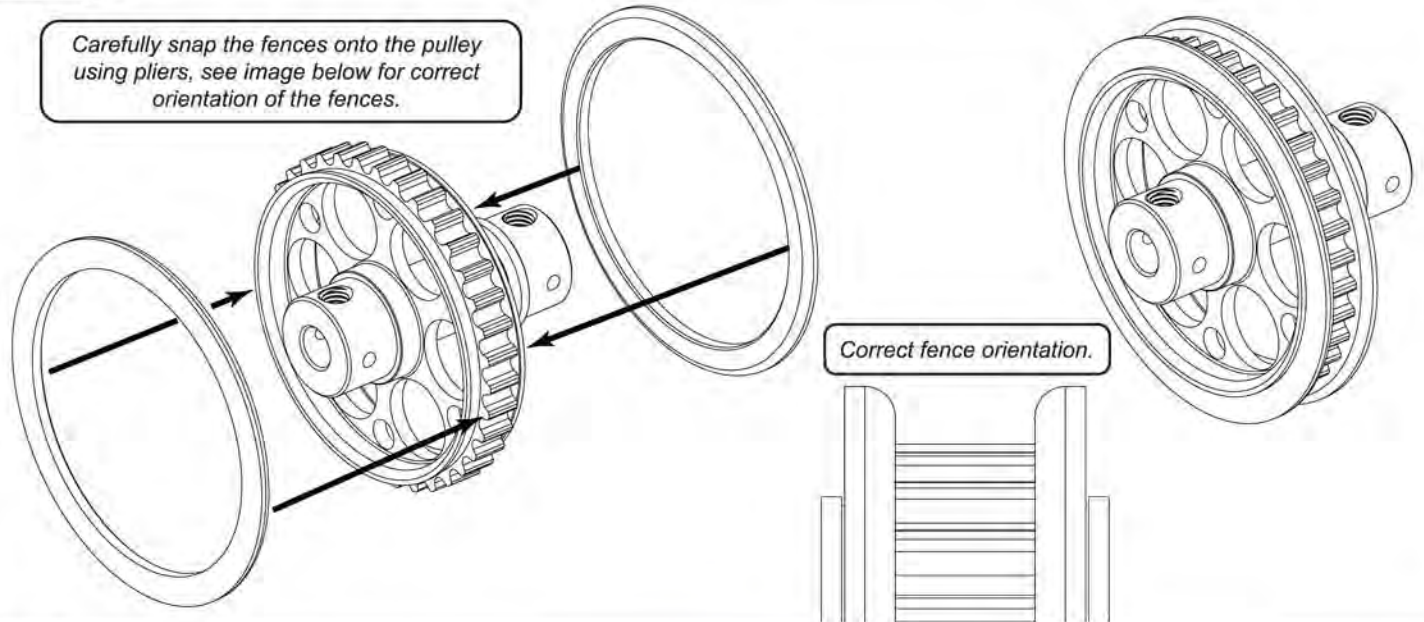


The belt tension will be set after the front belt and spool have been fitted at Step 24.



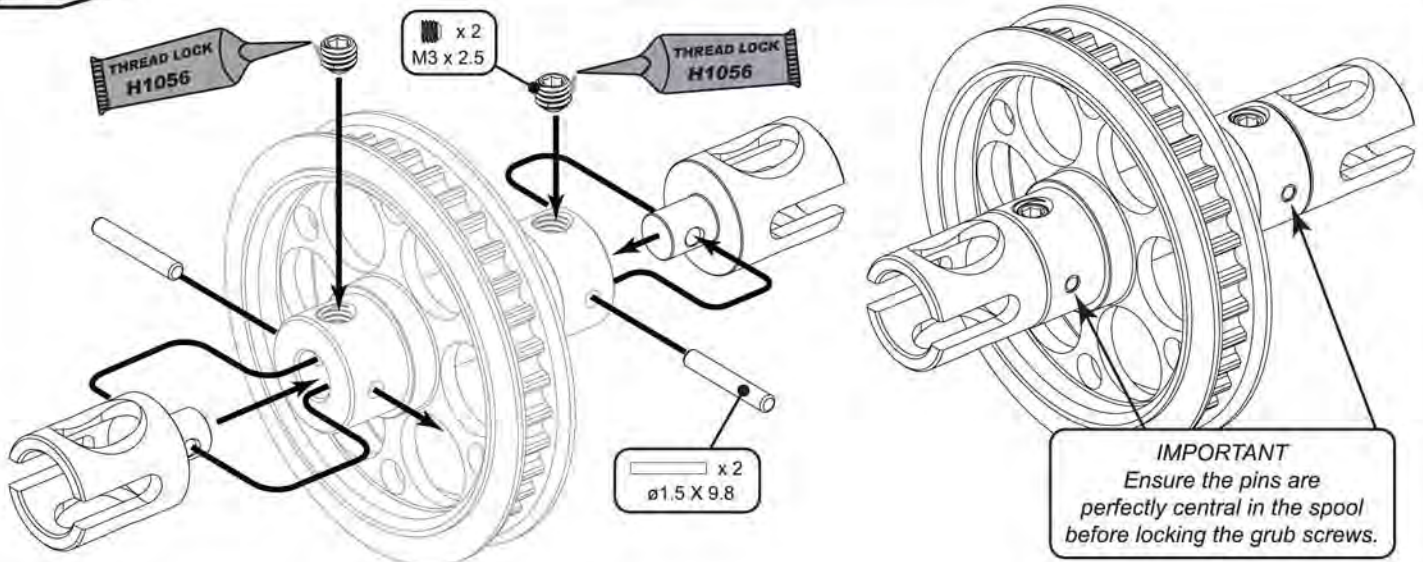
Step 22

Carefully snap the fences onto the pulley using pliers, see image below for correct orientation of the fences.



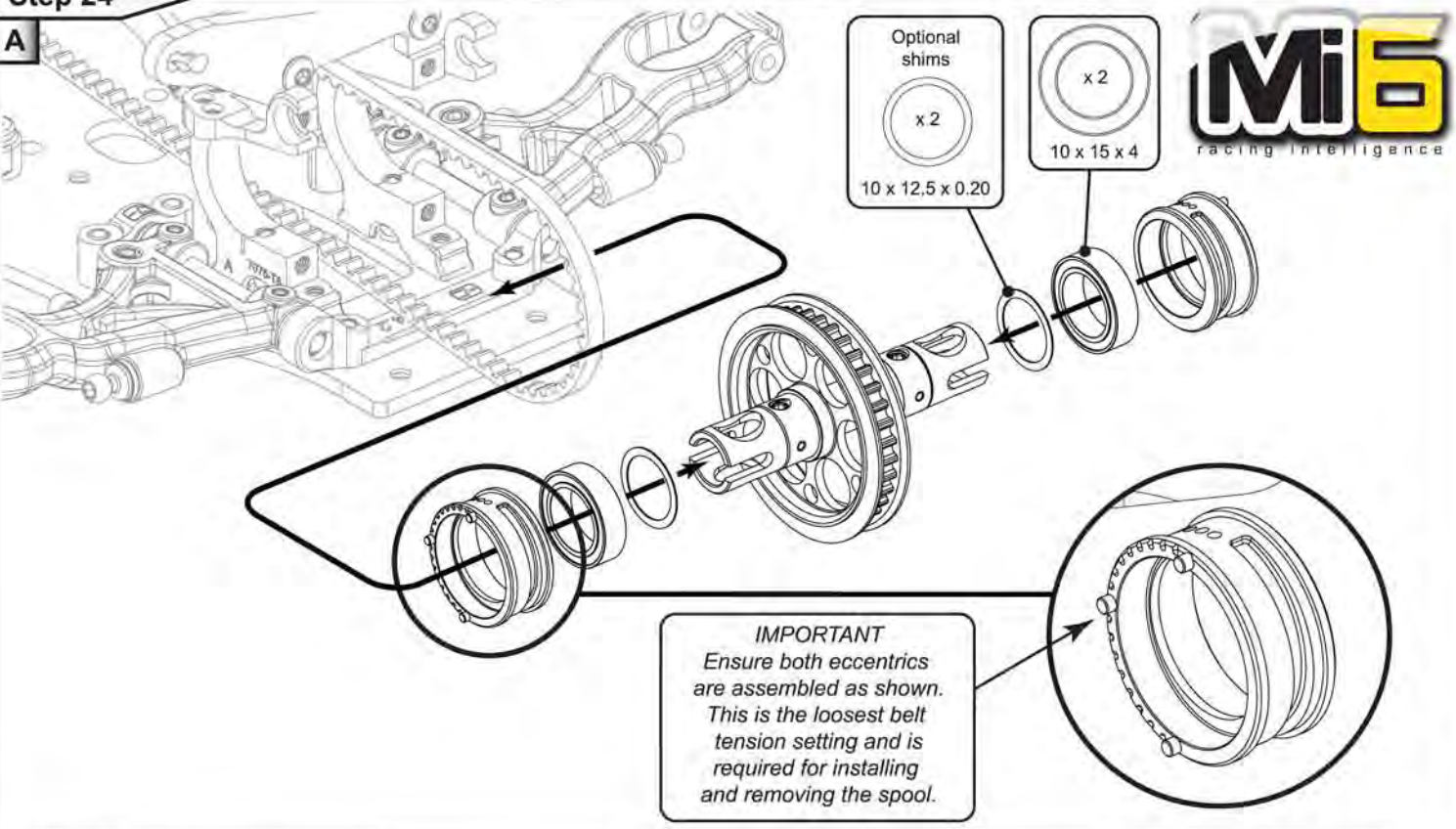
Correct fence orientation.

Step 23



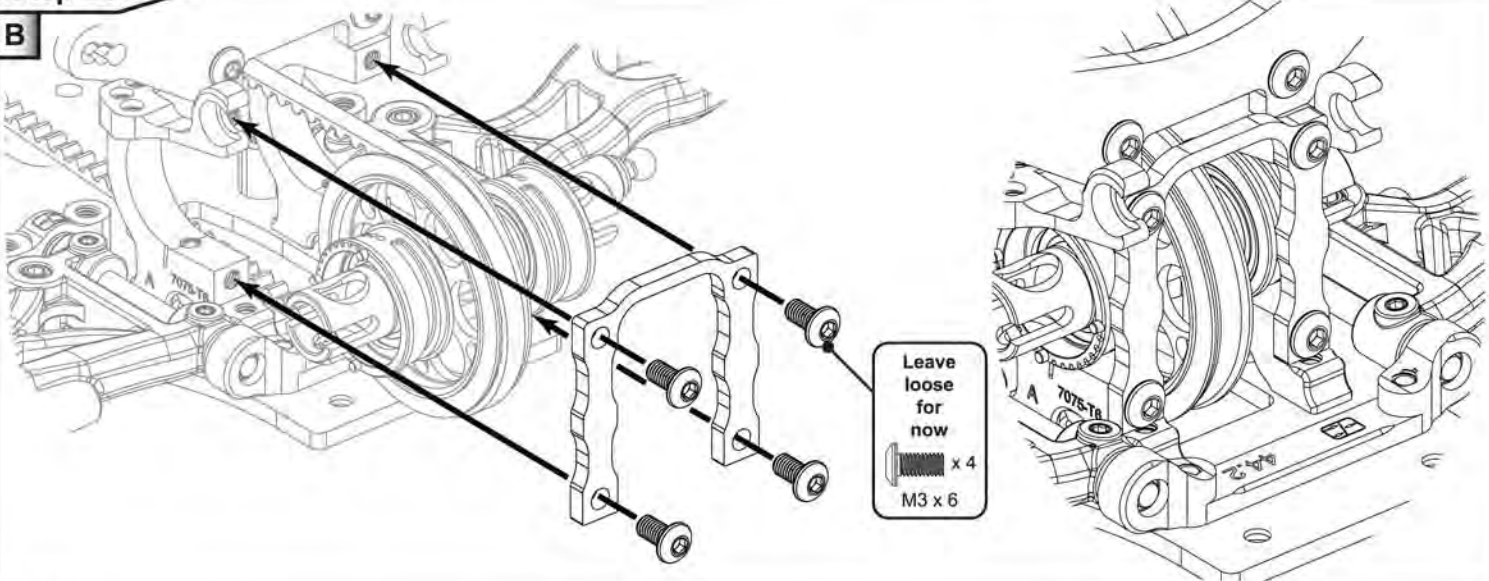
Step 24

A



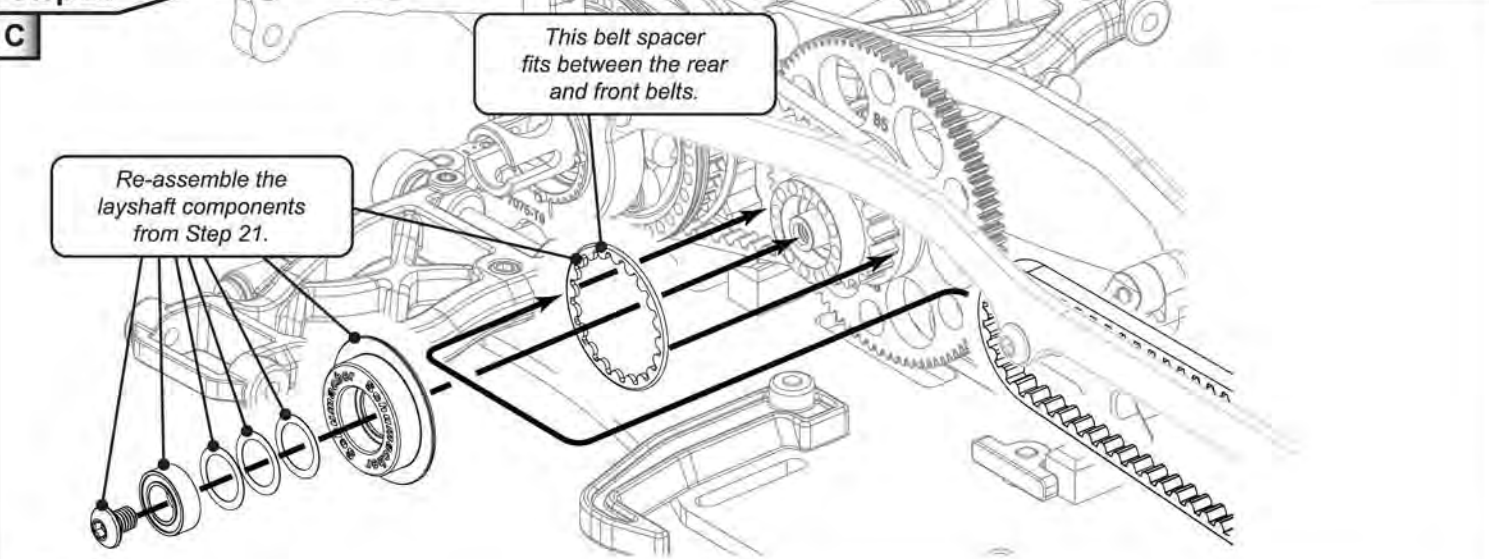
Step 24

B



Step 24

C

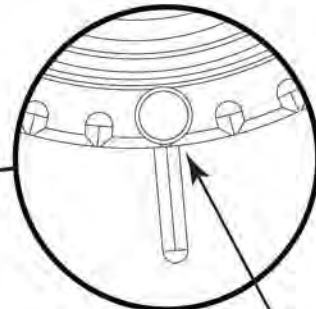
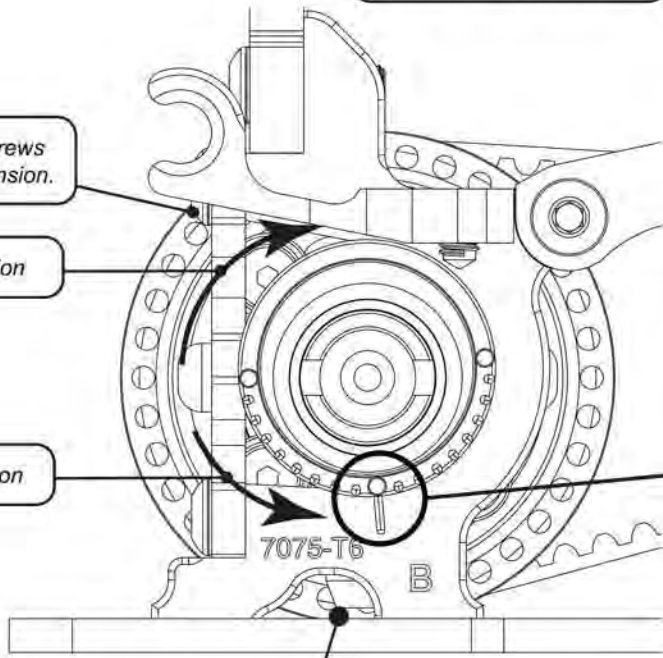


Rear belt tension

Tighten all four screws after setting belt tension.

Tighter belt tension

Looser belt tension



Lock the eccentric setting with the eccentric screw.
IMPORTANT
Only tighten this screw when indents on the eccentrics and housings line up.

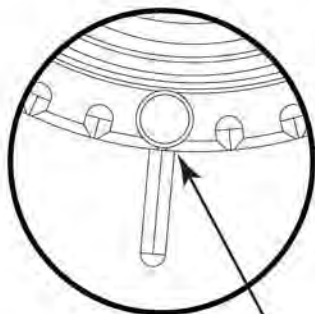
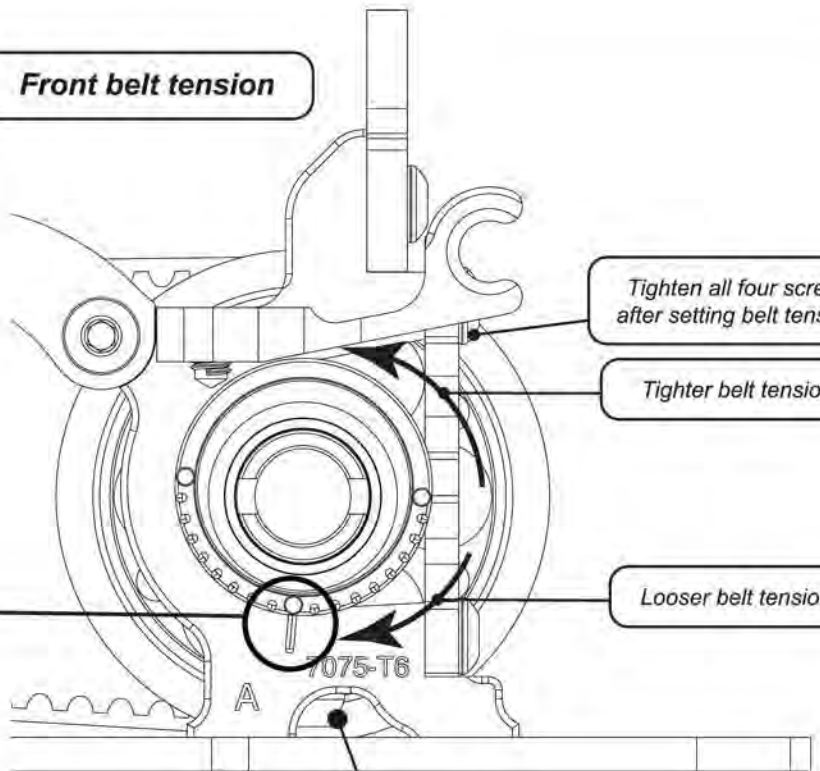
Mid belt tension adjustment is when the central pip on the eccentric lines up with the line on the transmission housing.

Front belt tension

Tighten all four screws after setting belt tension.

Tighter belt tension

Looser belt tension

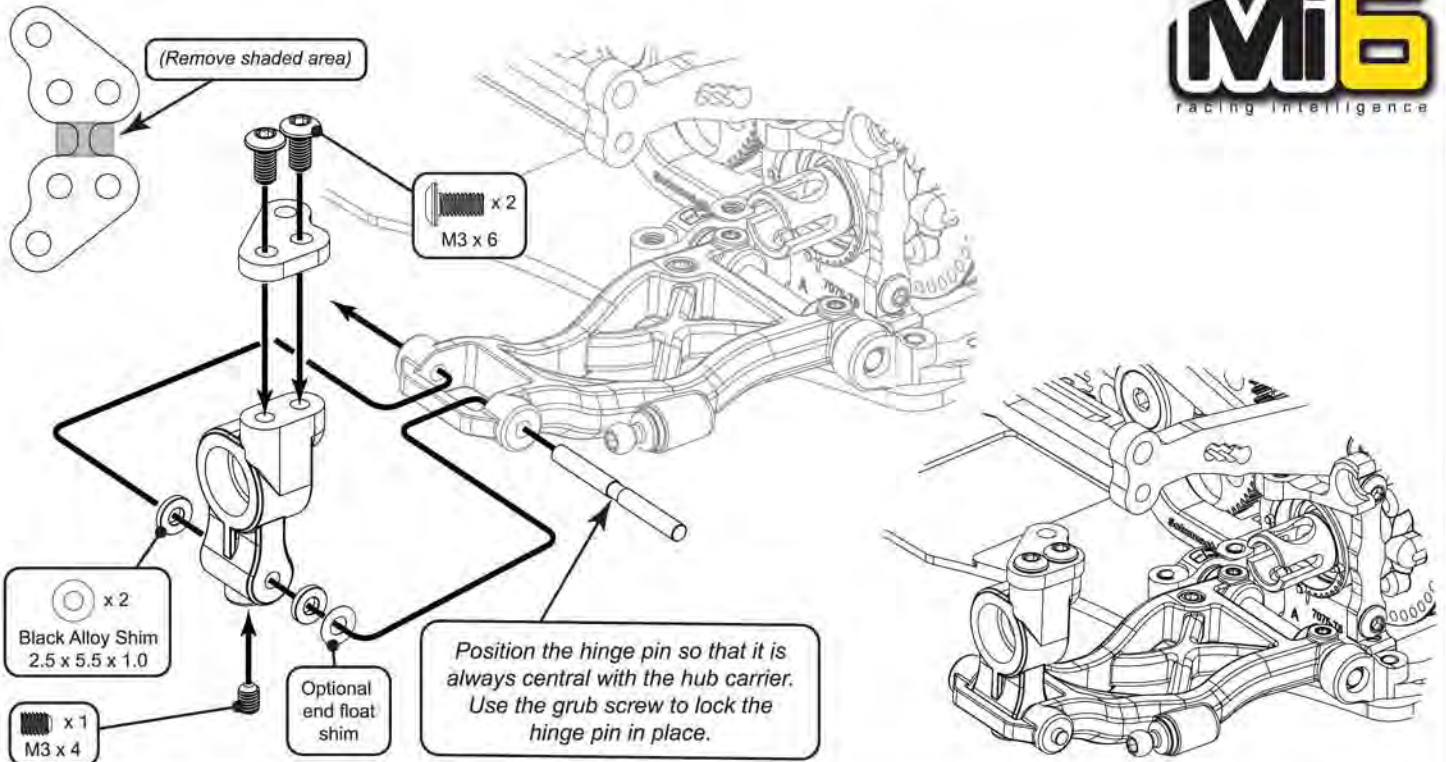


Mid belt tension adjustment is when the central pip on the eccentric lines up with the line on the transmission housing.

Lock the eccentric setting with the eccentric screw.
IMPORTANT
Only tighten this screw when indents on the eccentrics and housings line up.

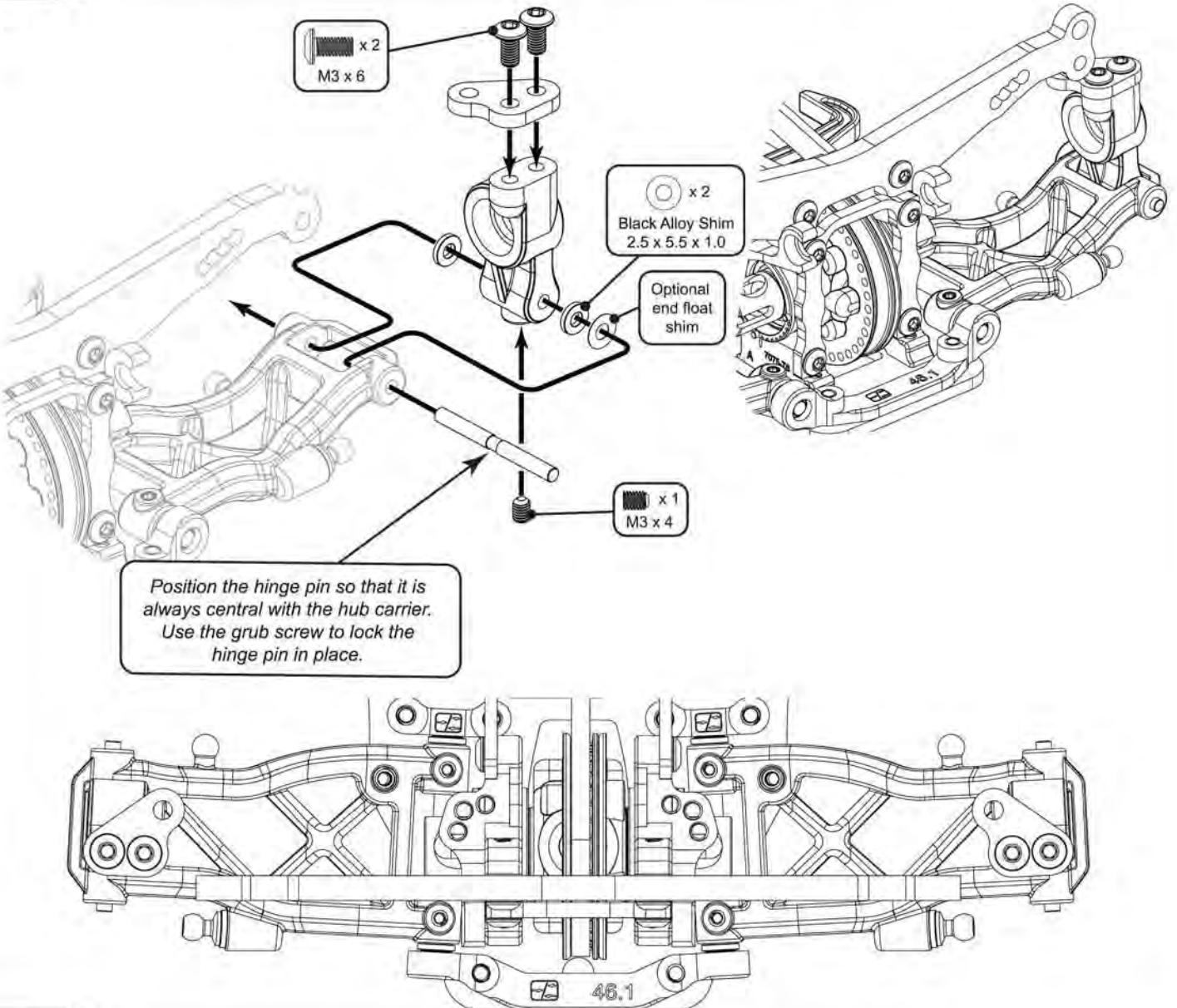
Step 25

A

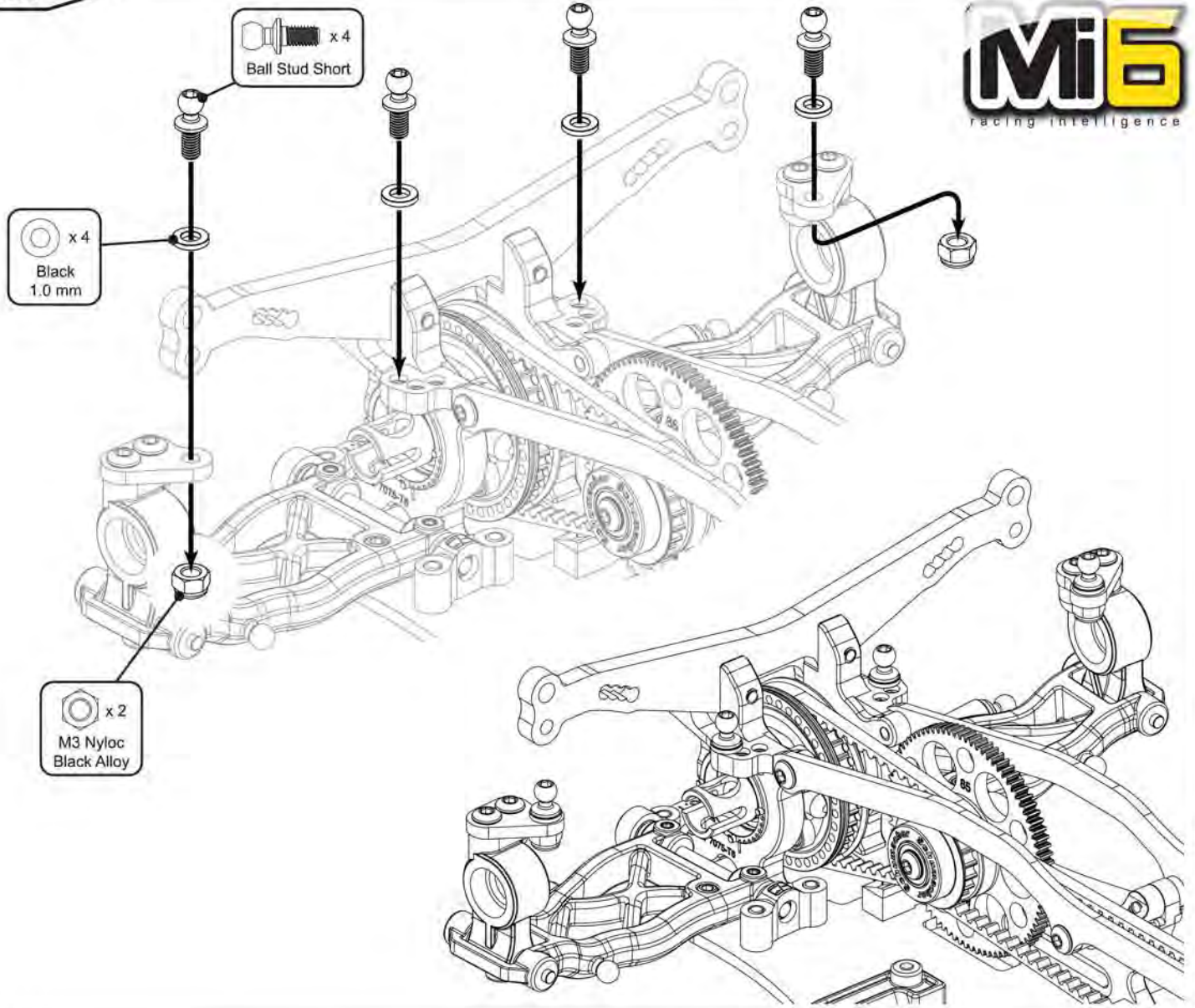


Step 25

B

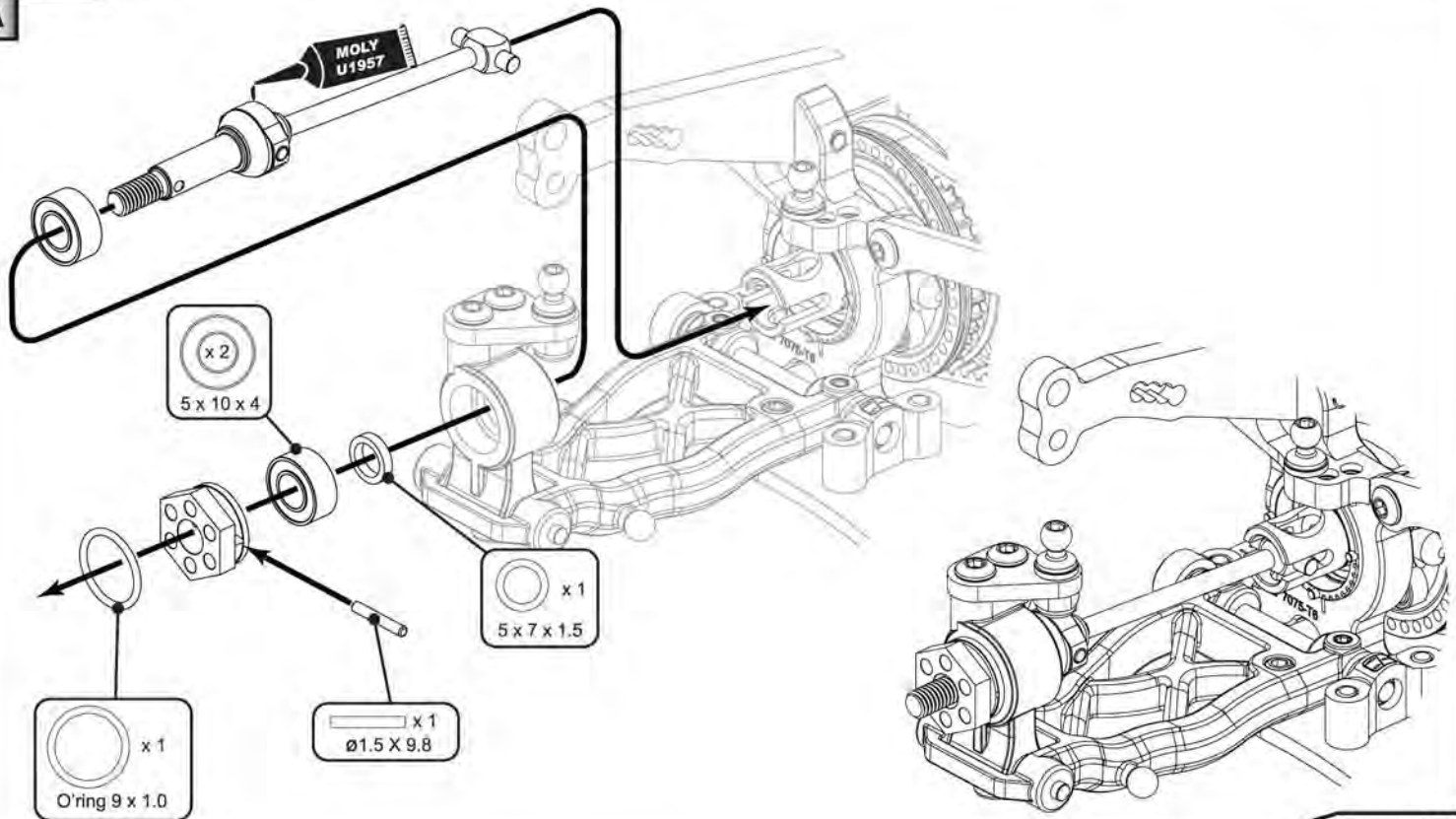


Step 26



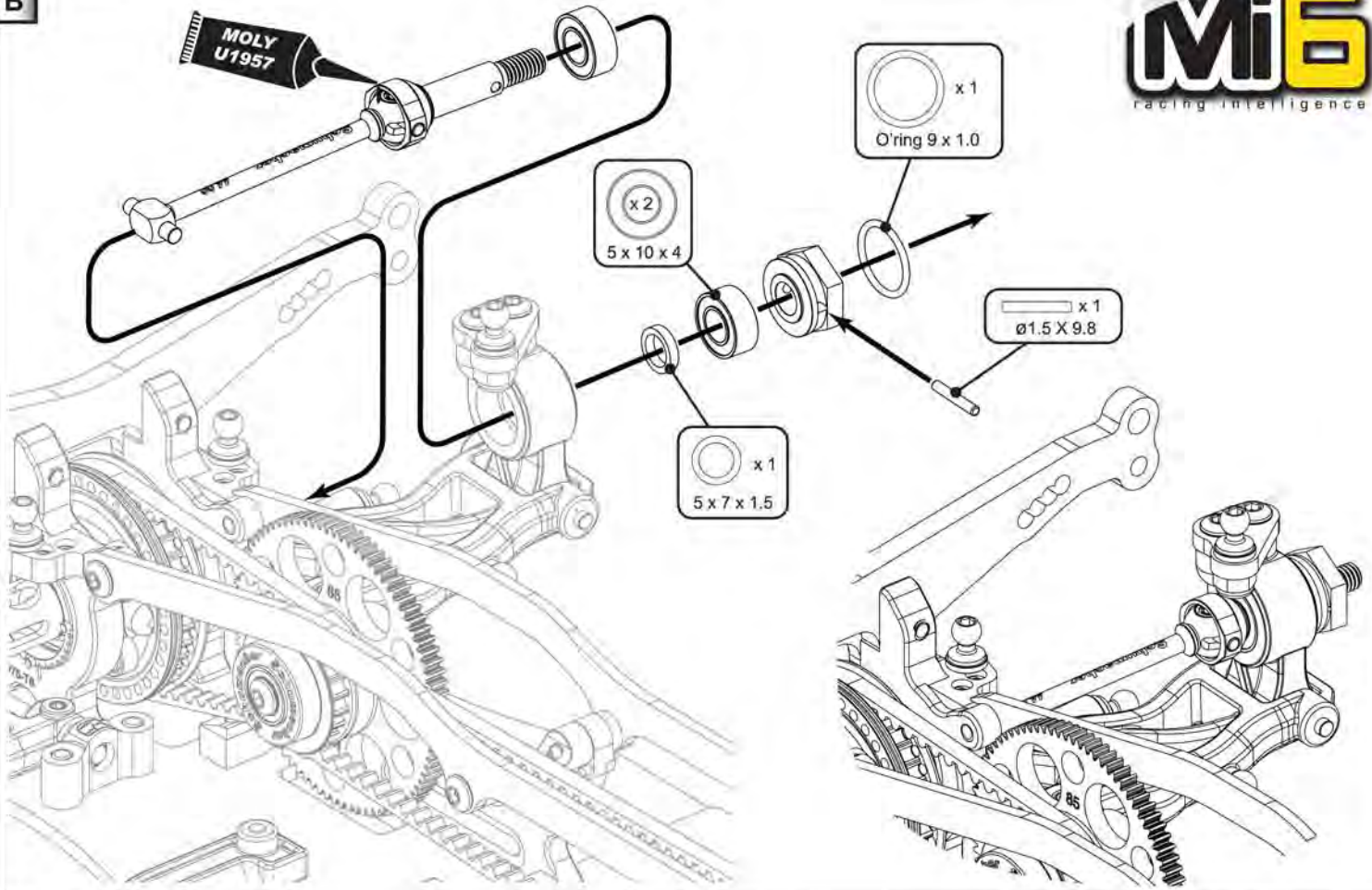
Step 27

A



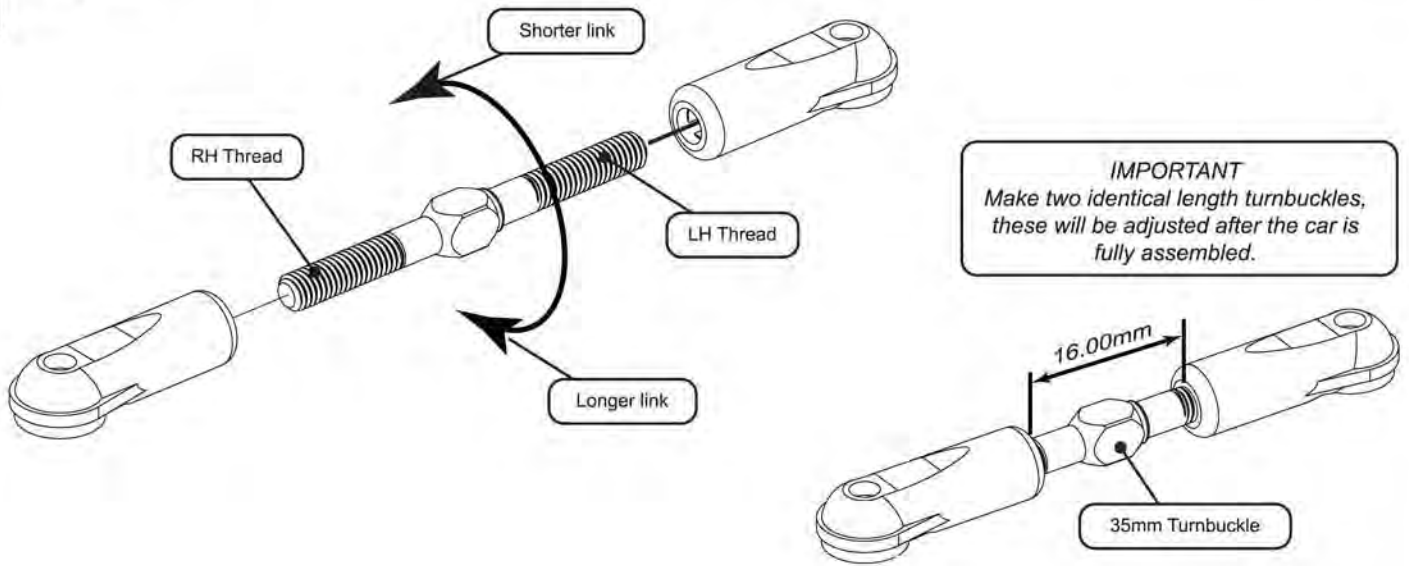
Step 27

B



Step 28

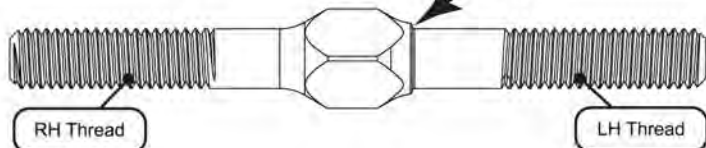
A



IMPORTANT
Make two identical length turnbuckles, these will be adjusted after the car is fully assembled.

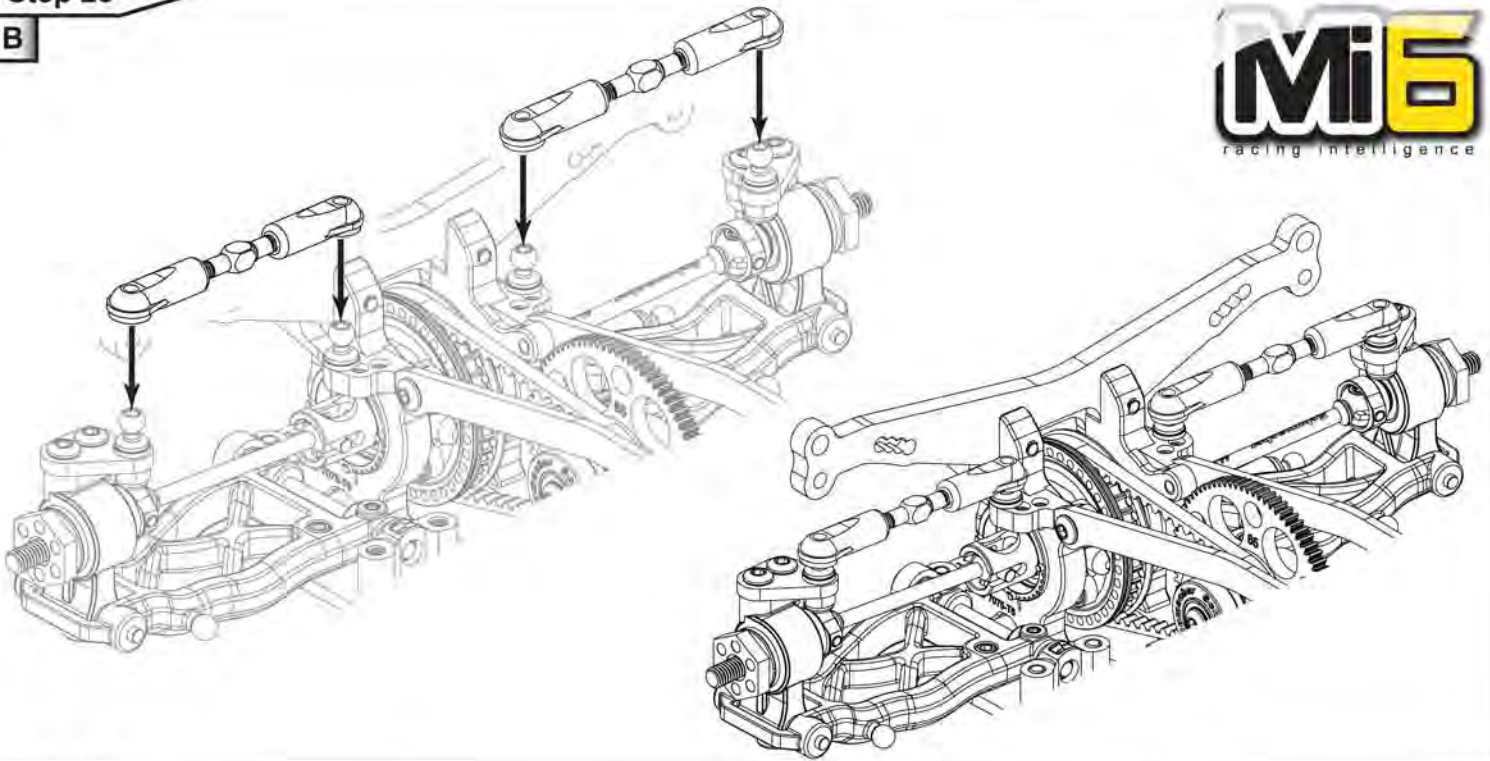
Carefully screw the sockets on to the turnbuckle until no threads are visible. Then undo them to the desired length. This process allows for easier adjustment on the car.
(Greasing the threads will also help)

IMPORTANT
Note the shape of the turnbuckle, this side of the turnbuckle is the LH thread



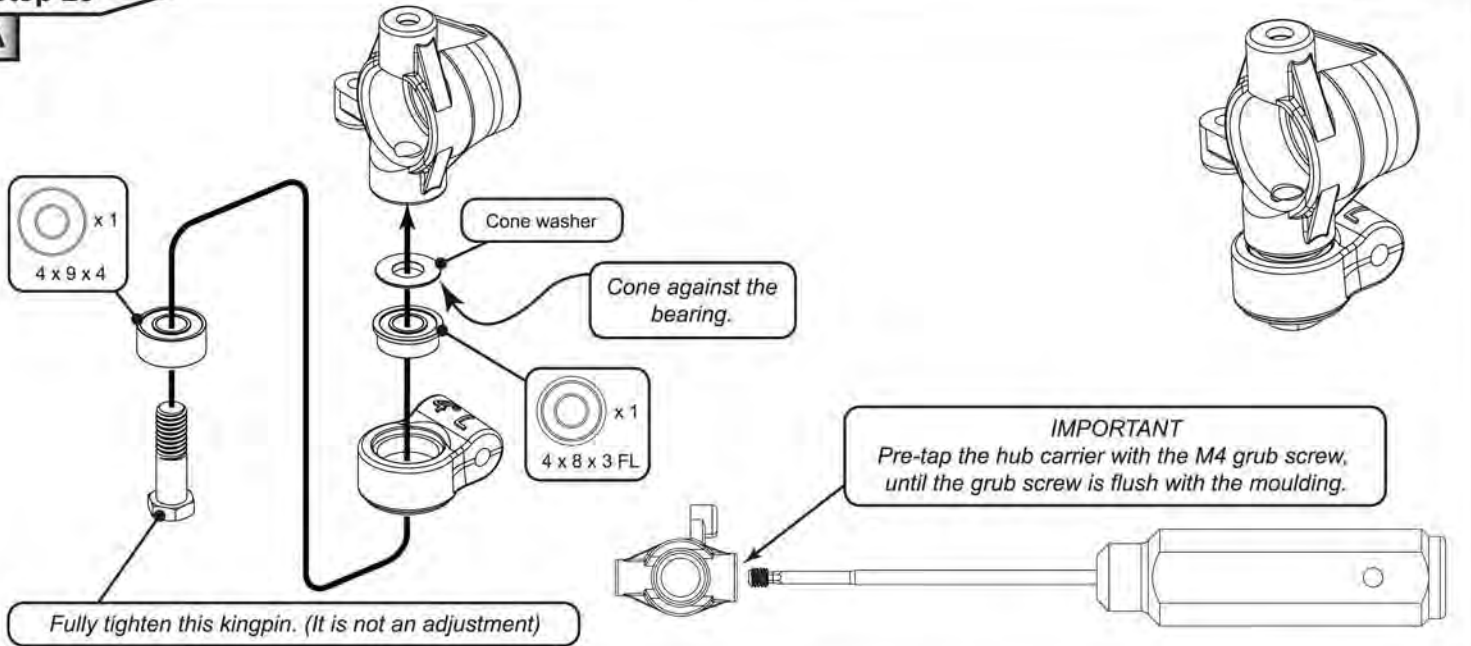
Step 28

B



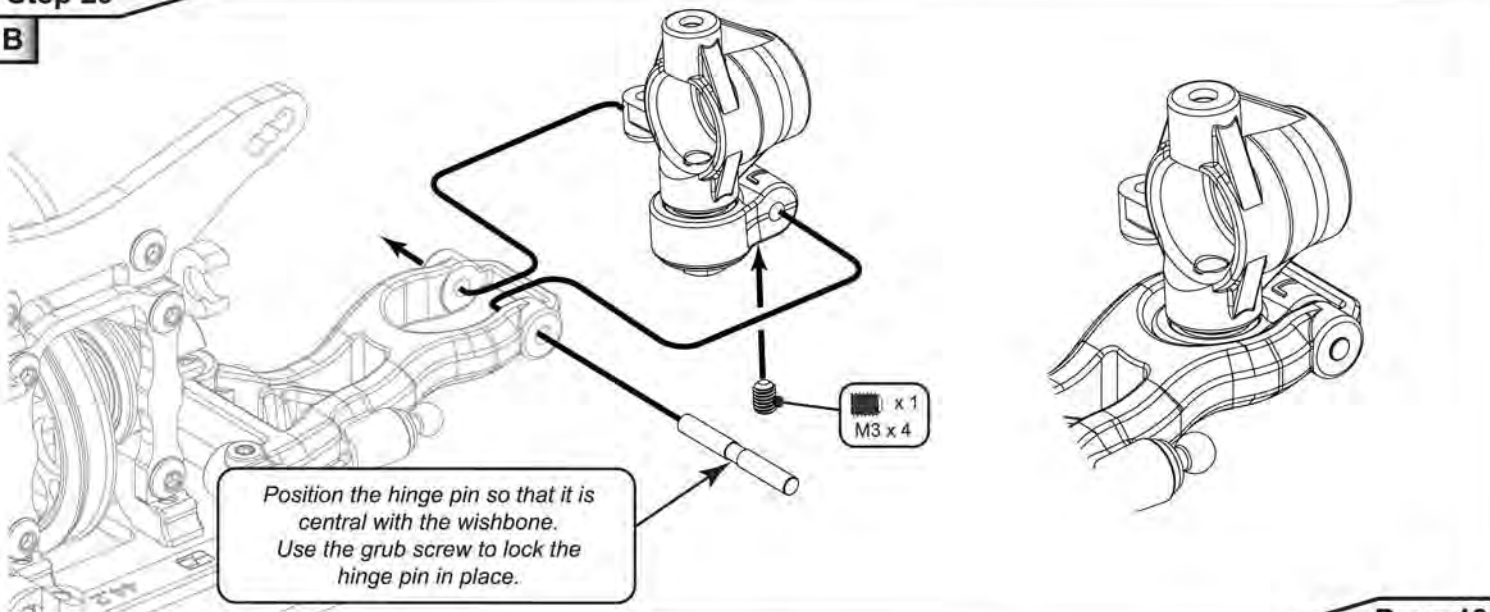
Step 29

A



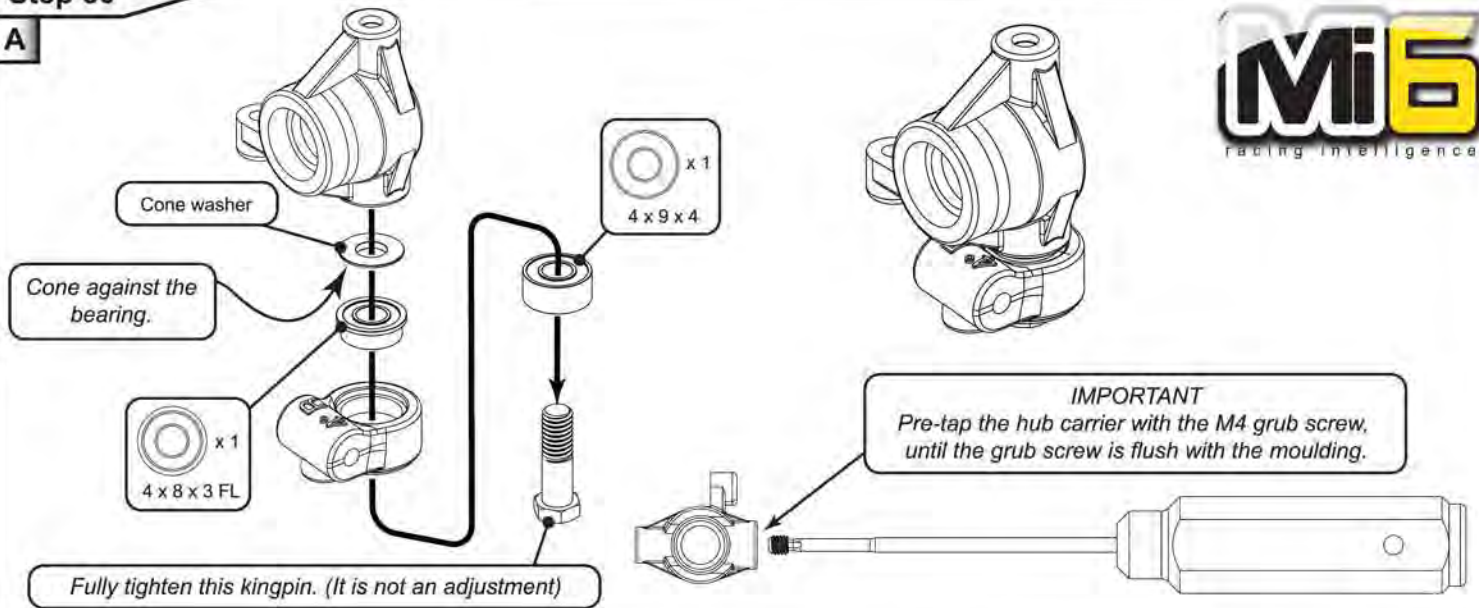
Step 29

B



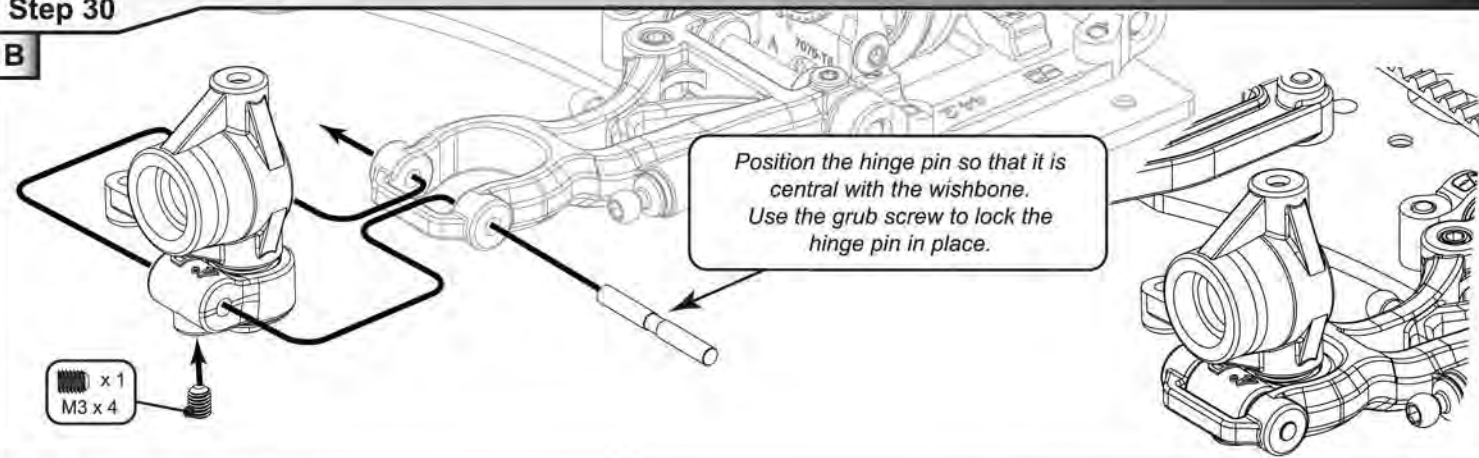
Step 30

A

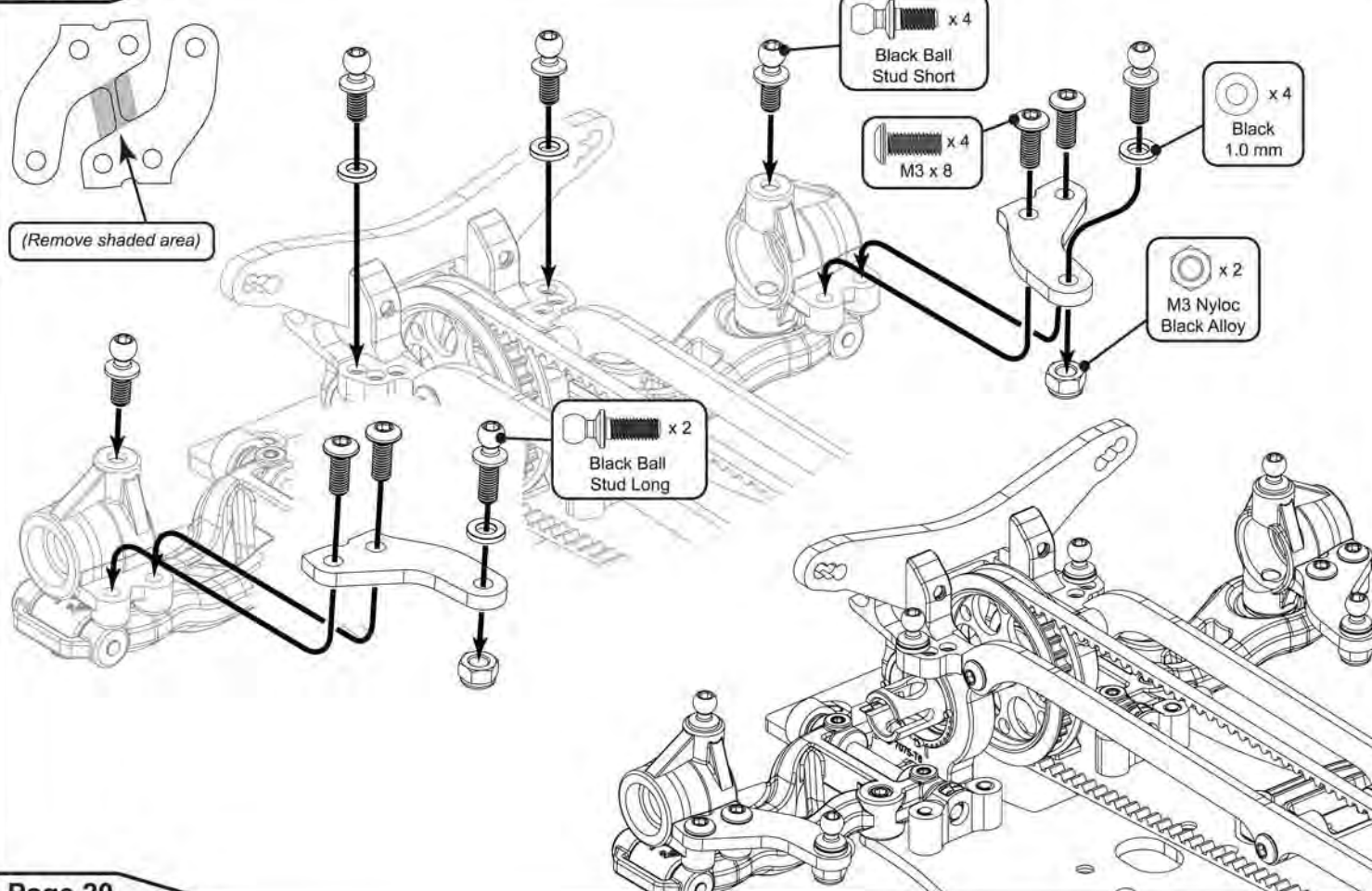


Step 30

B

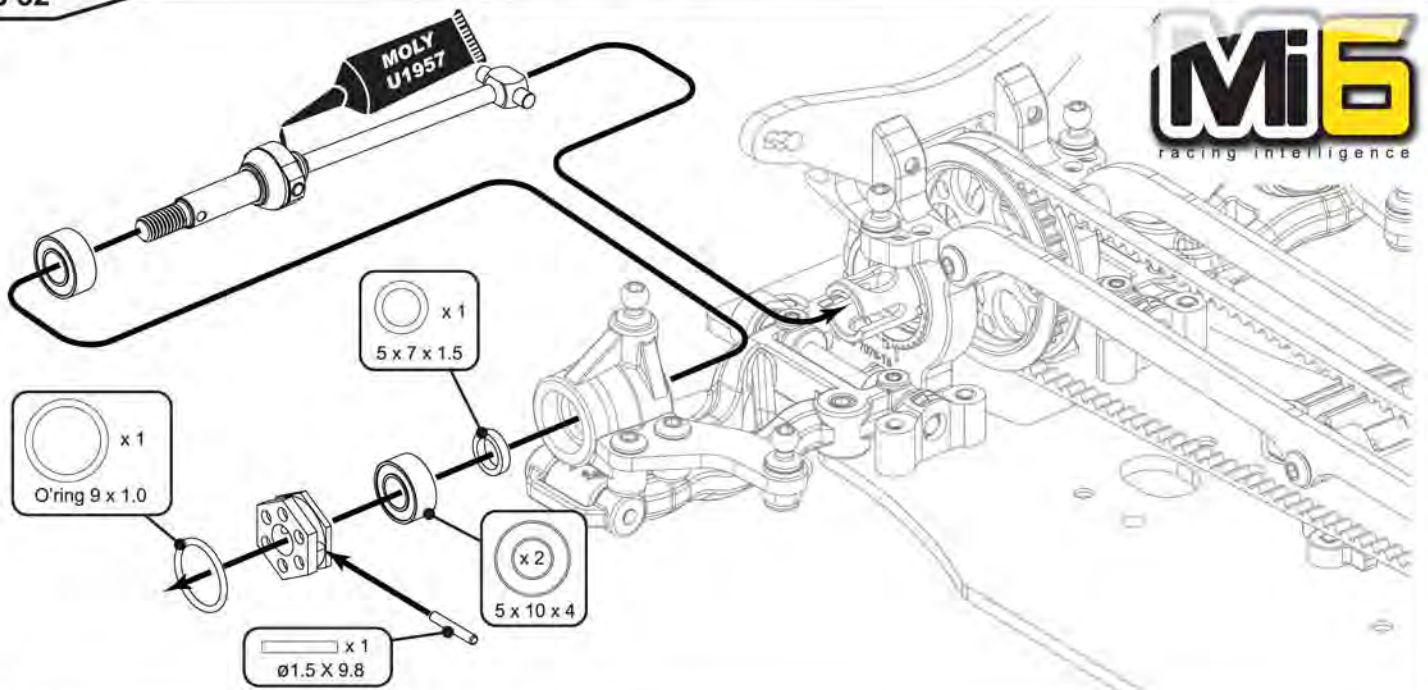


Step 31



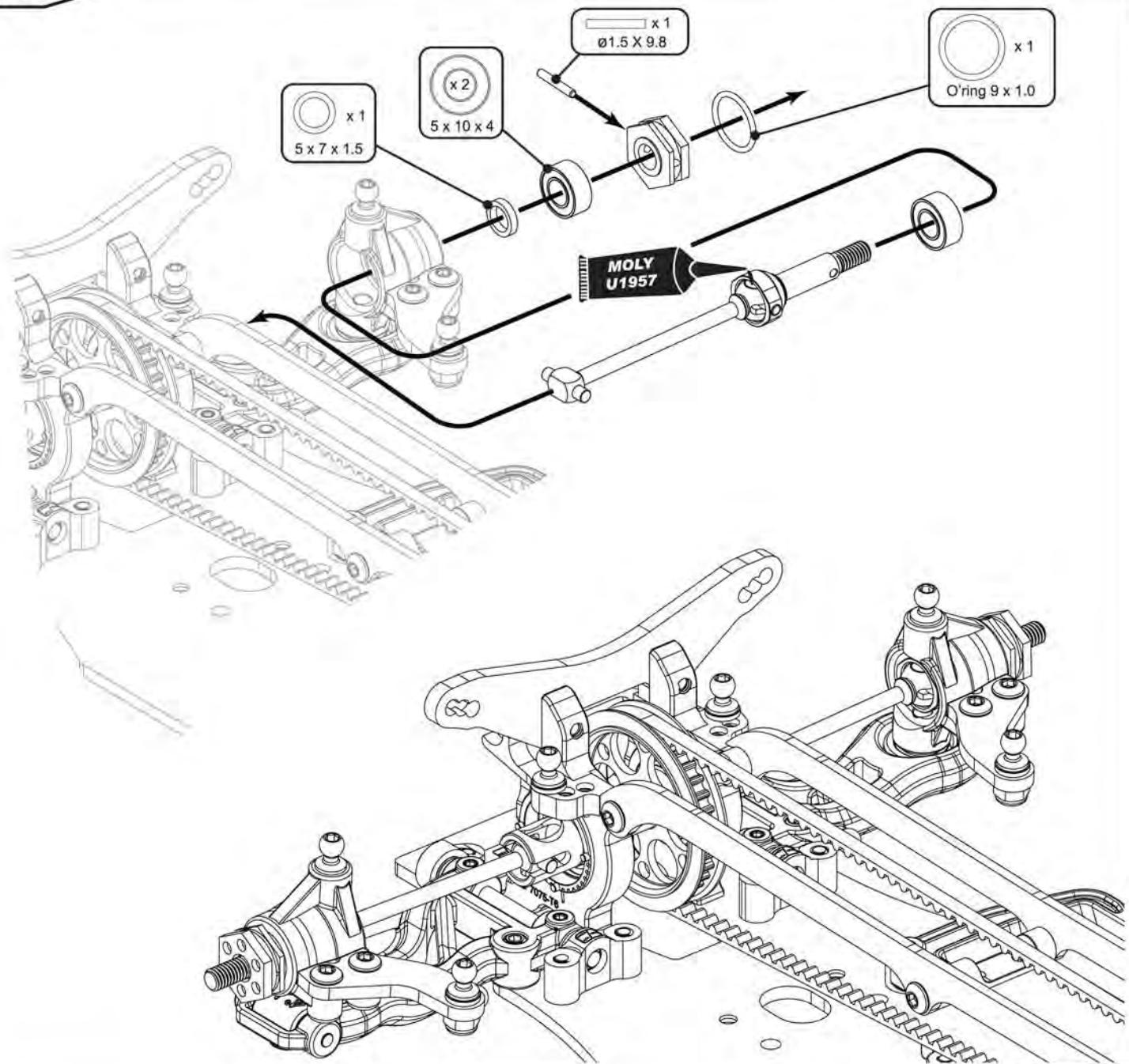
Step 32

A



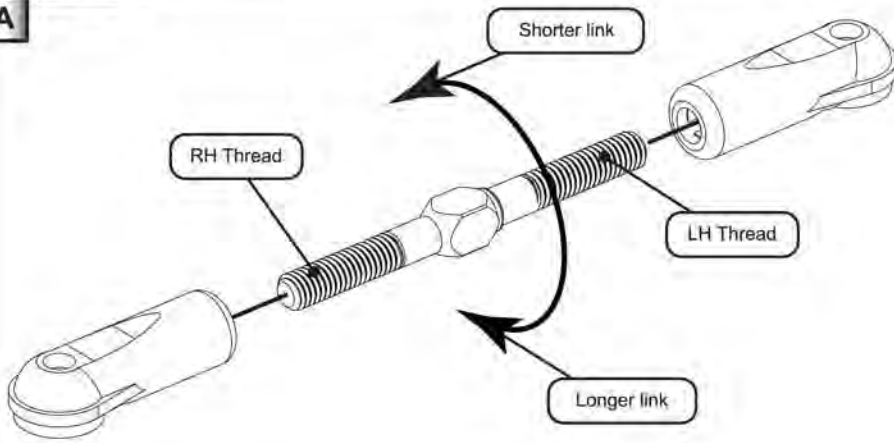
Step 32

B

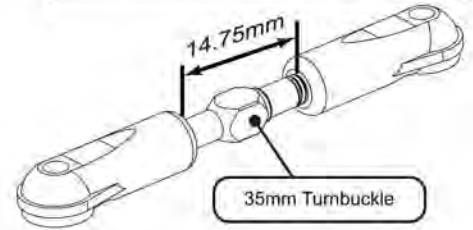


Step 33

A

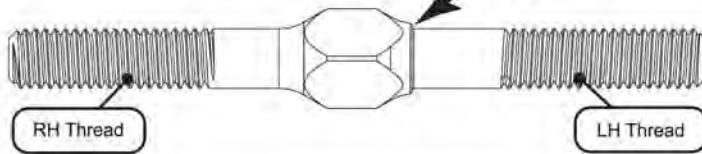


IMPORTANT
Make two identical length turnbuckles, these will be adjusted after the car is fully assembled.



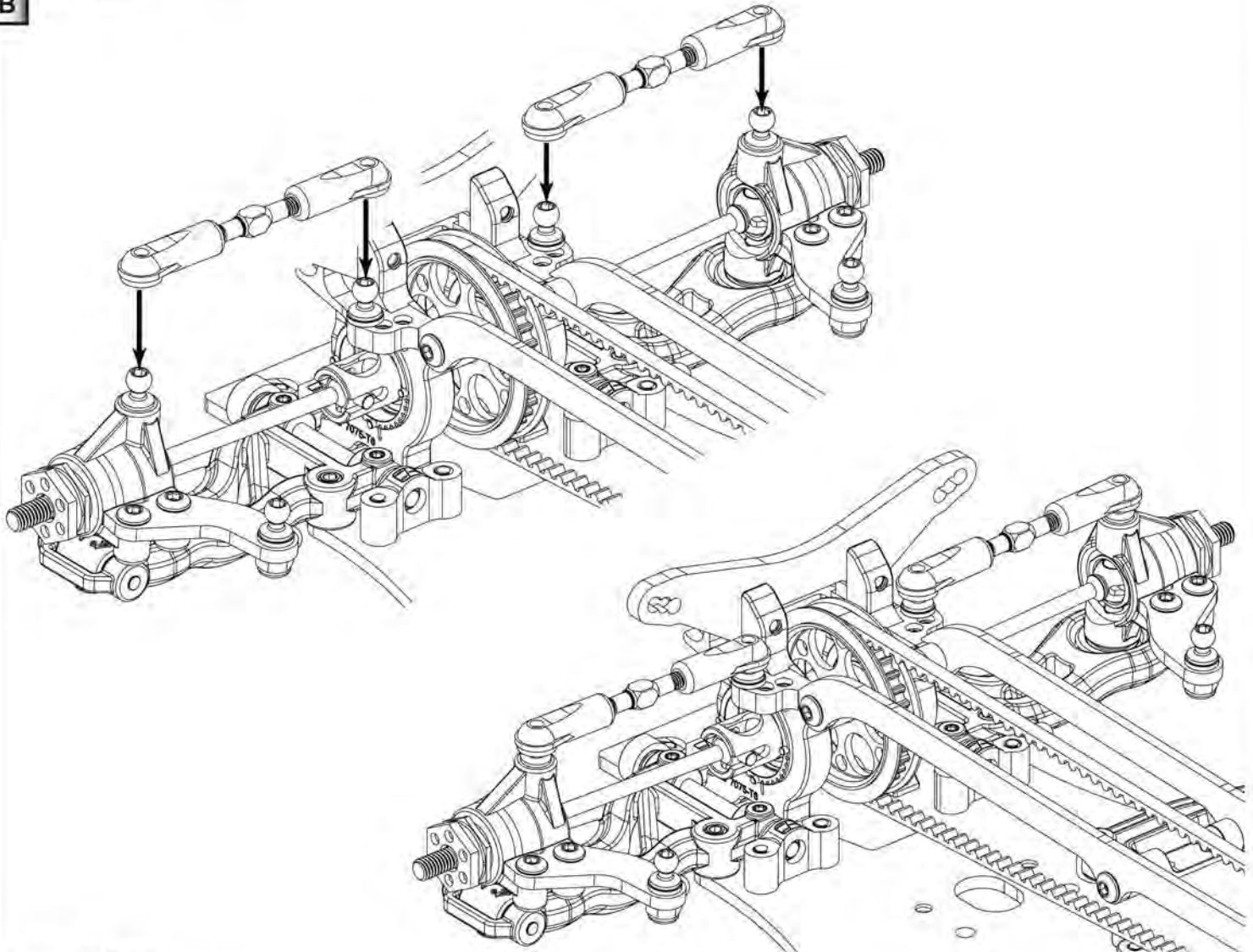
Carefully screw the sockets on to the turnbuckle until no threads are visible. Then undo them to the desired length. This process allows for easier adjustment on the car.
(Greasing the threads will also help)

IMPORTANT
Note the shape of the turnbuckle, this side of the turnbuckle is the LH thread

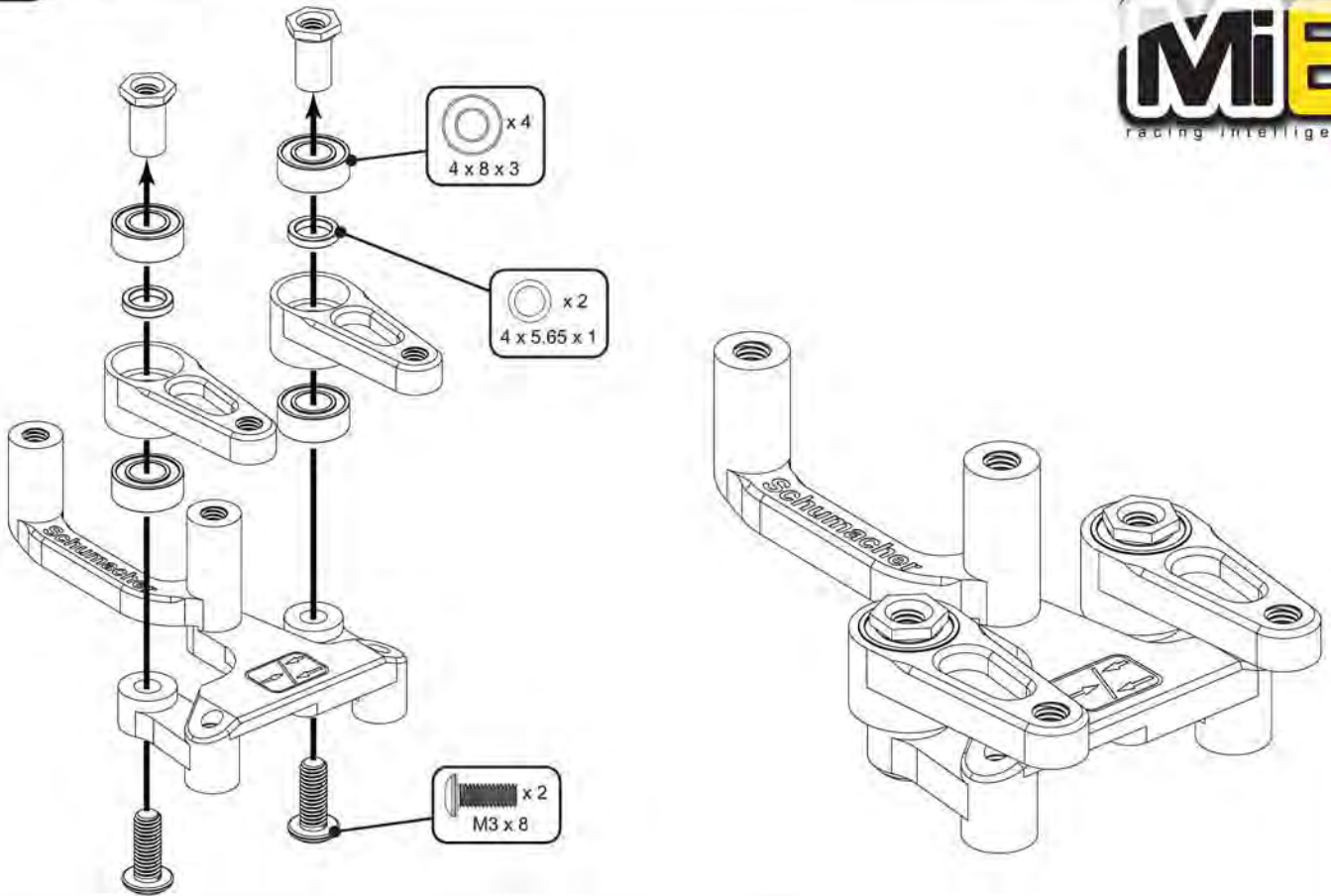


Step 33

B



Step 34



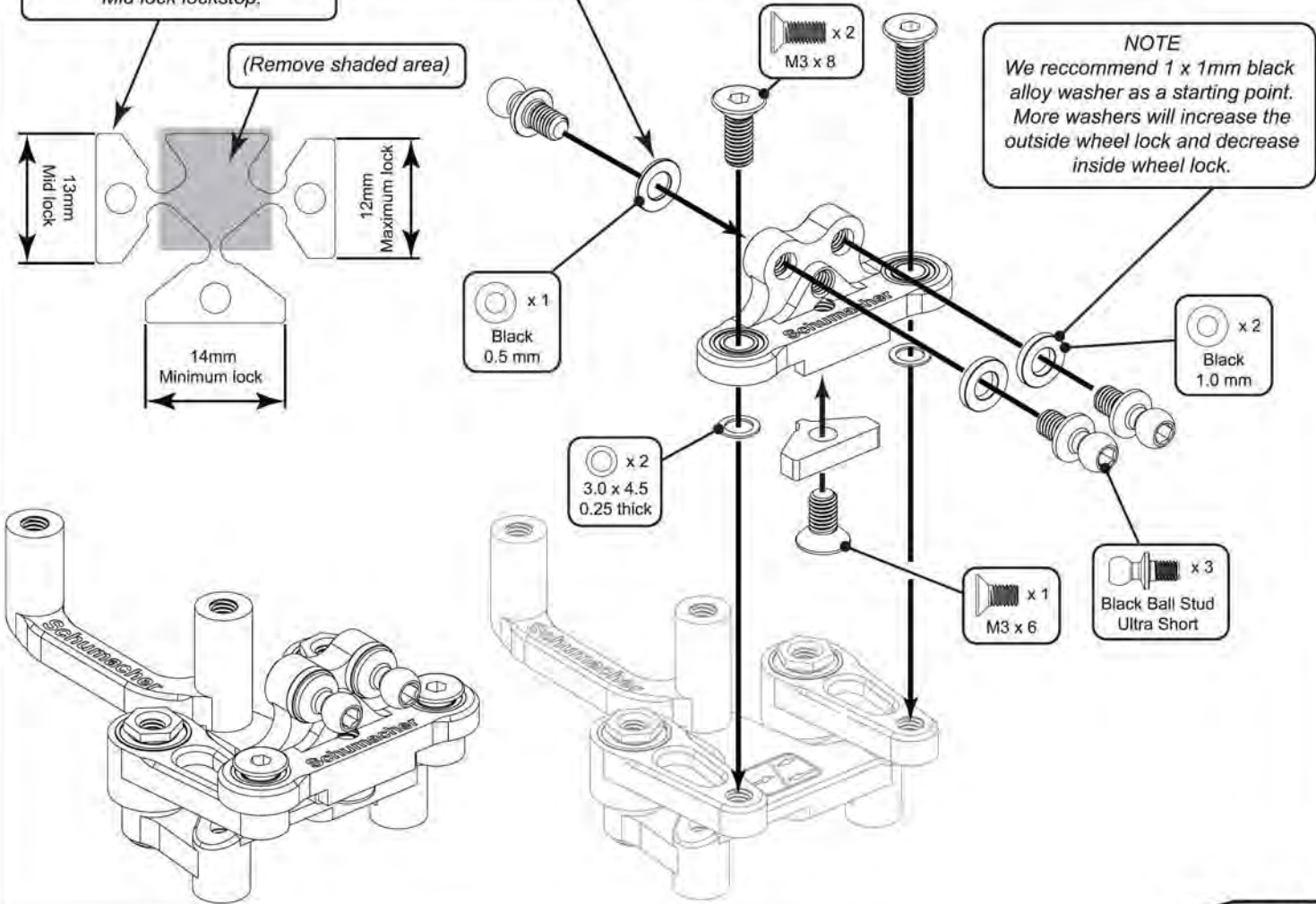
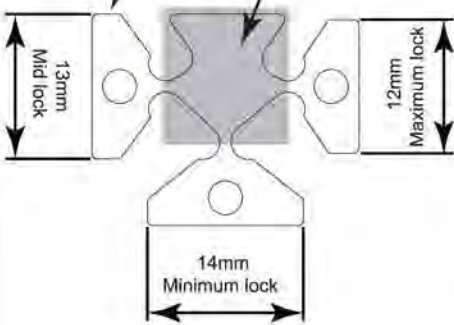
Step 35

We recommend starting with the Mid lock lockstop.

(Remove shaded area)

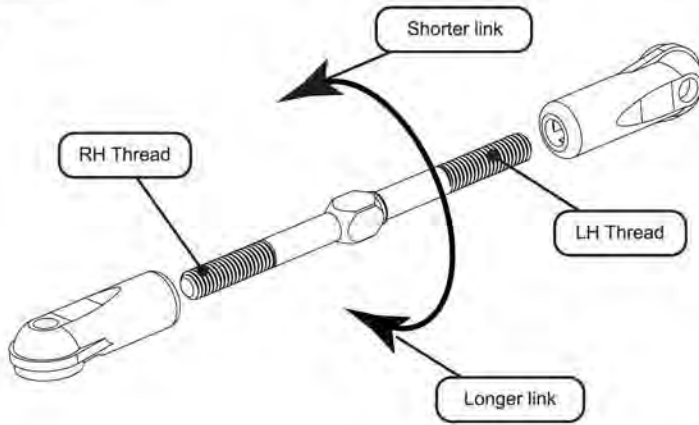
Washers may be required for ball socket clearance when using maximum lock lockstop.

NOTE
We recommend 1 x 1mm black alloy washer as a starting point. More washers will increase the outside wheel lock and decrease inside wheel lock.

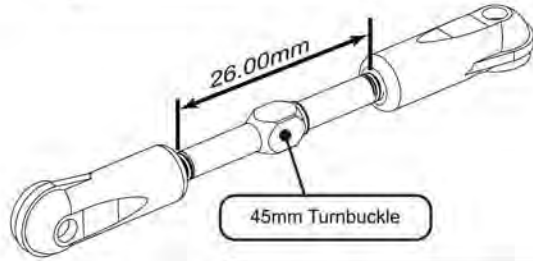


Step 36

A

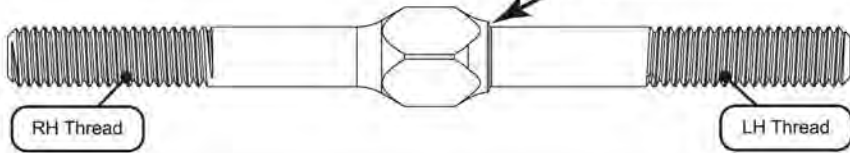


IMPORTANT
 Make two identical length turnbuckles; these will be adjusted after the car is fully assembled.



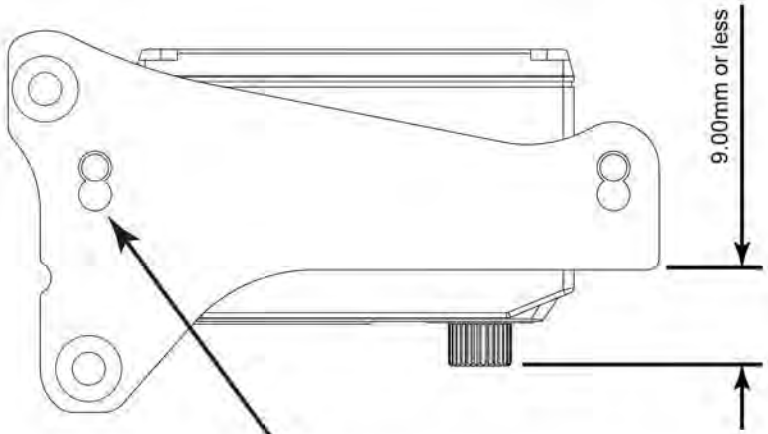
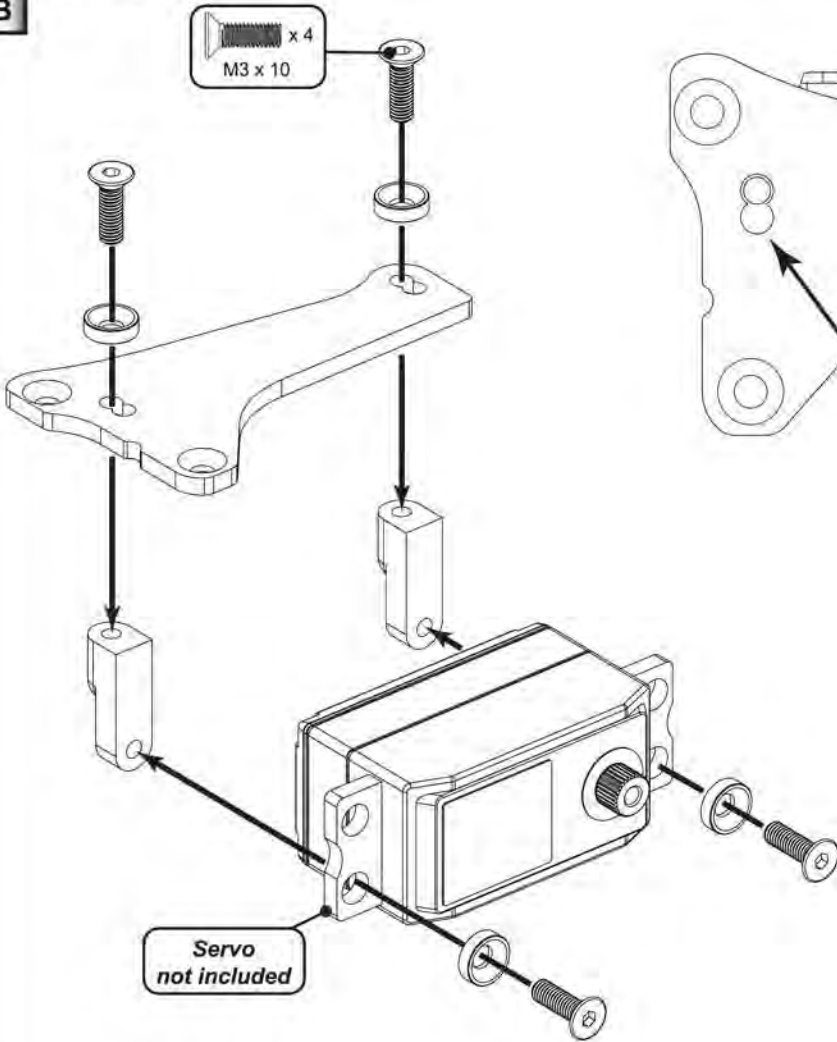
Carefully screw the sockets on to the turnbuckle until no threads are visible. Then undo them to the desired length. This process allows for easier adjustment on the car.
 (Greasing the threads will also help)

IMPORTANT
 Note the shape of the turnbuckle, this side of the turnbuckle is the LH thread

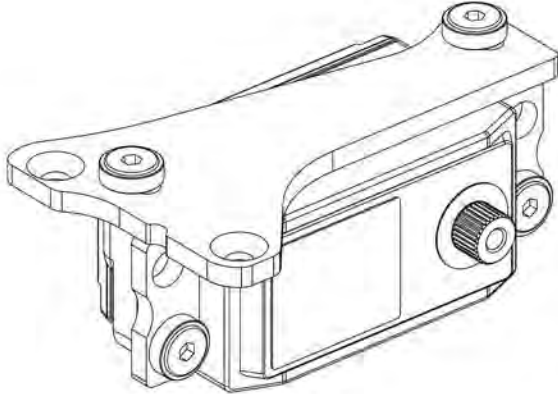


Step 36

B

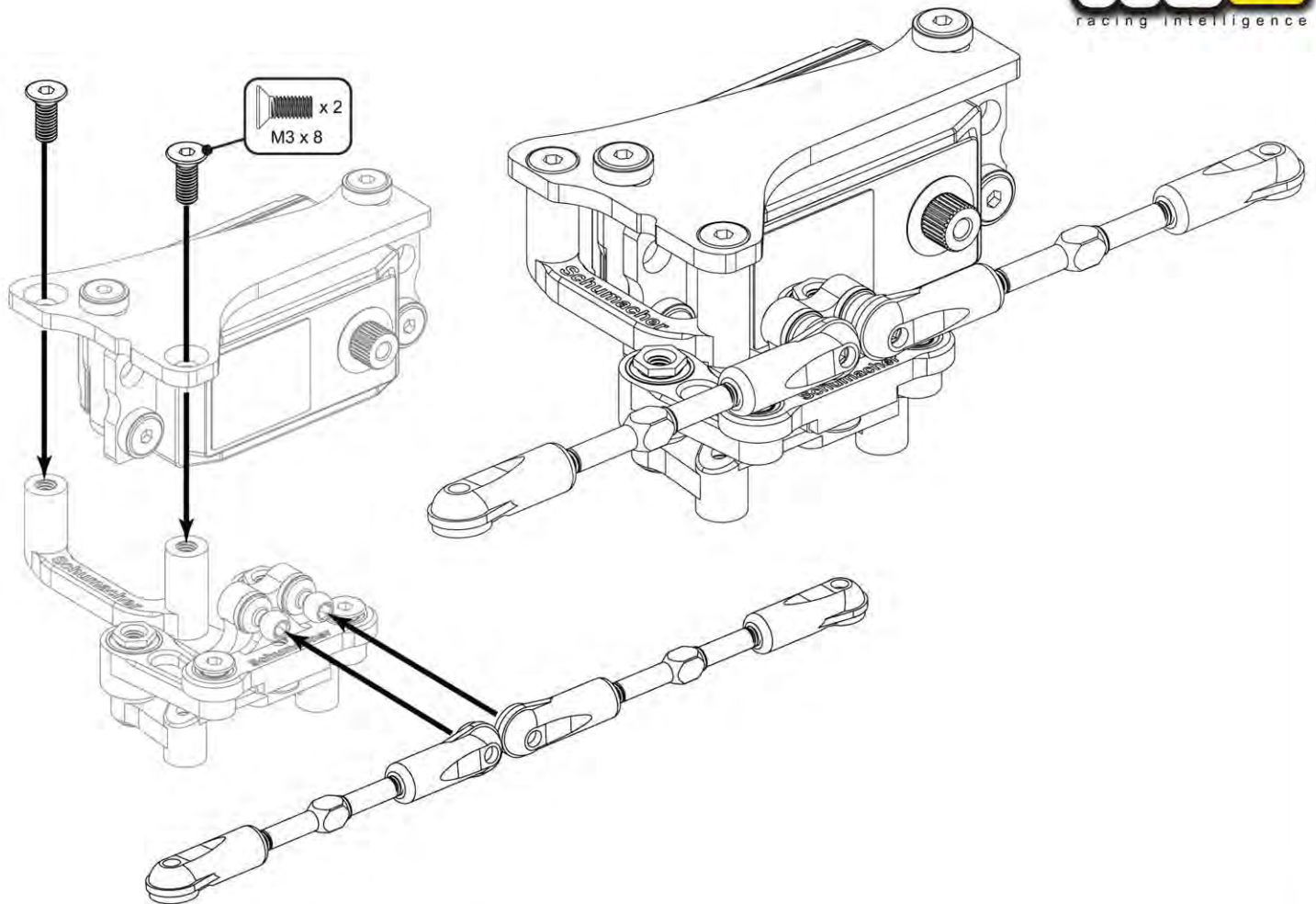


IMPORTANT
 Select the servo mounting hole that closest achieves the dimension above.



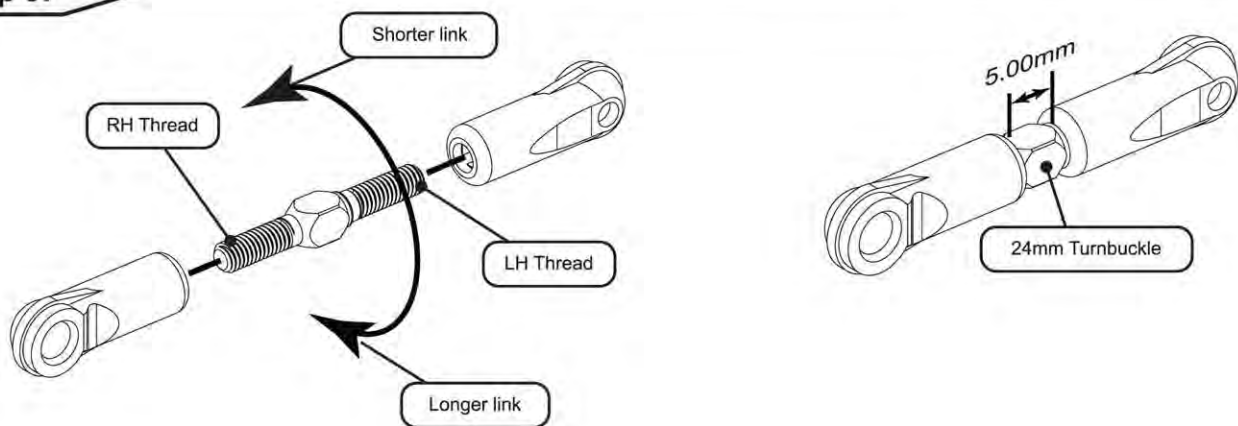
Step 36

C



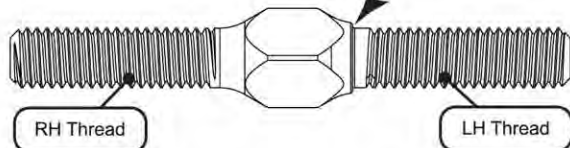
Step 37

A



Carefully screw the sockets on to the turnbuckle until no threads are visible. Then undo them to the desired length. This process allows for easier adjustment on the car. (Greasing the threads will also help)

IMPORTANT
Note the shape of the turnbuckle, this side of the turnbuckle is the LH thread



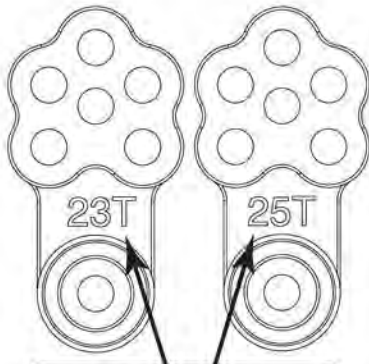
Step 37

B

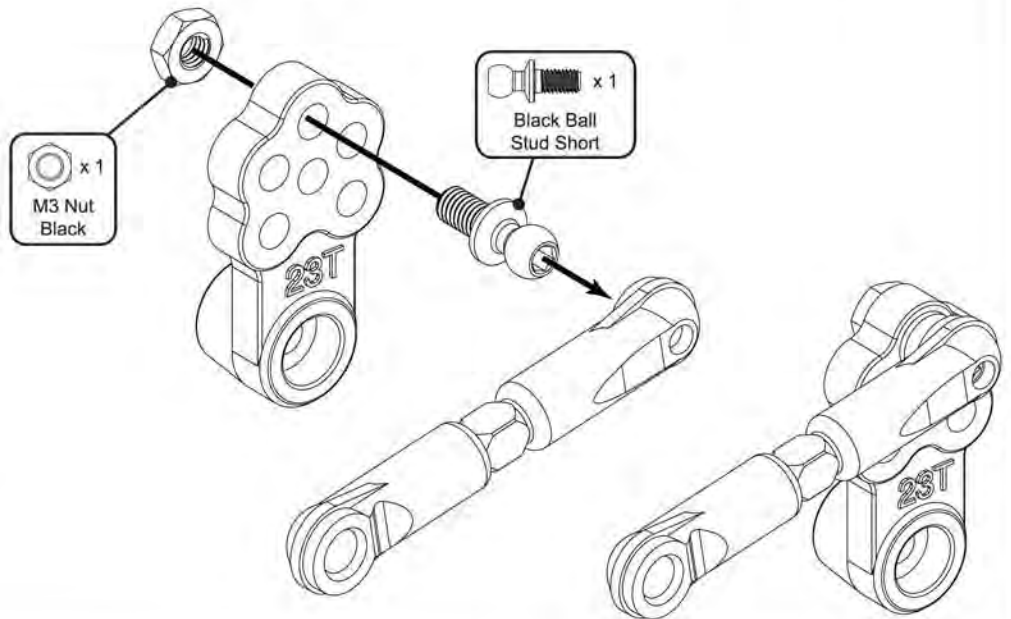


IMPORTANT

For indoor carpet racing we recommend using the U4328 Impact Servo Saver. This will help protect your servo from high speed impacts.



IMPORTANT
Select the correct horn for your servo.

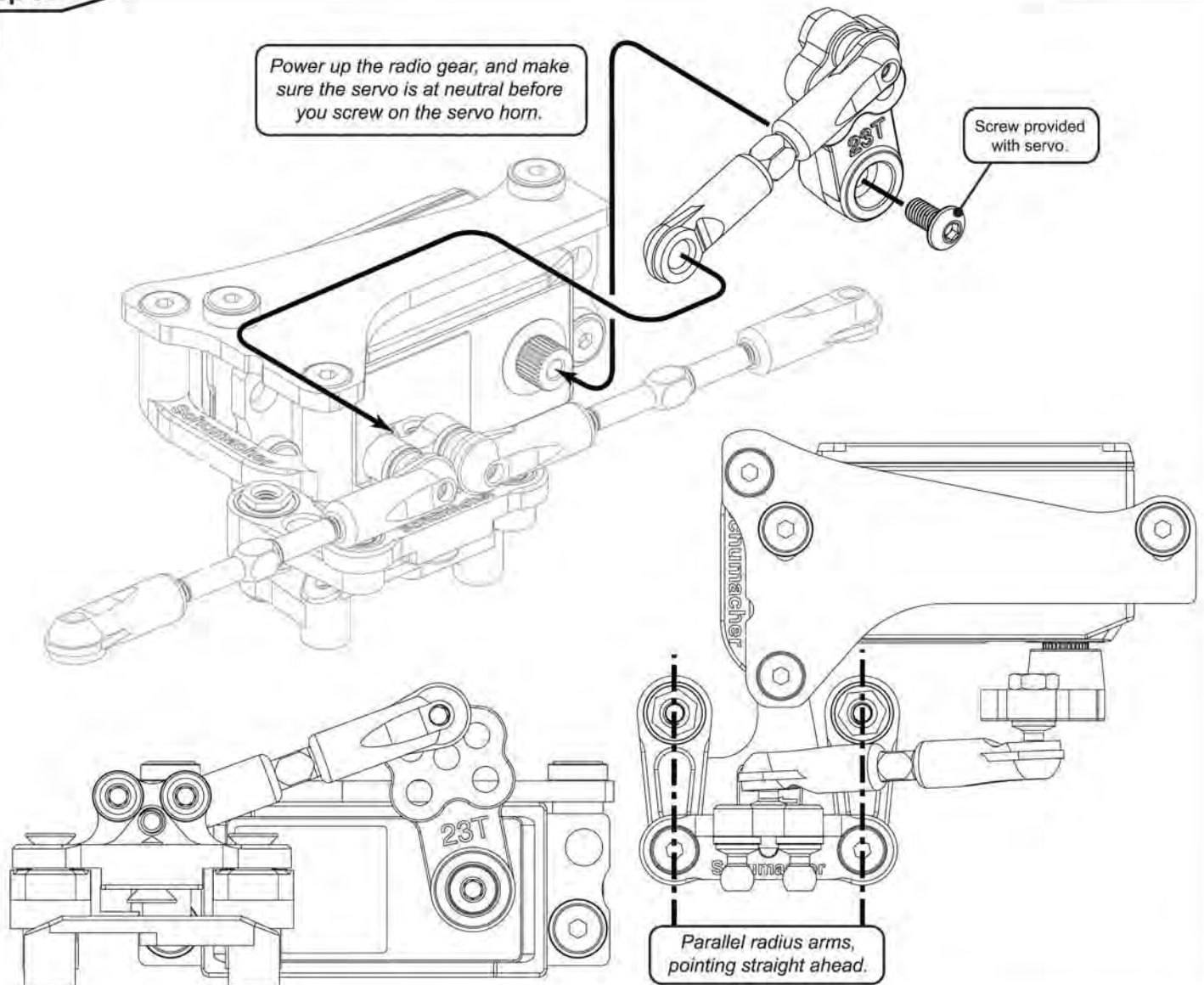


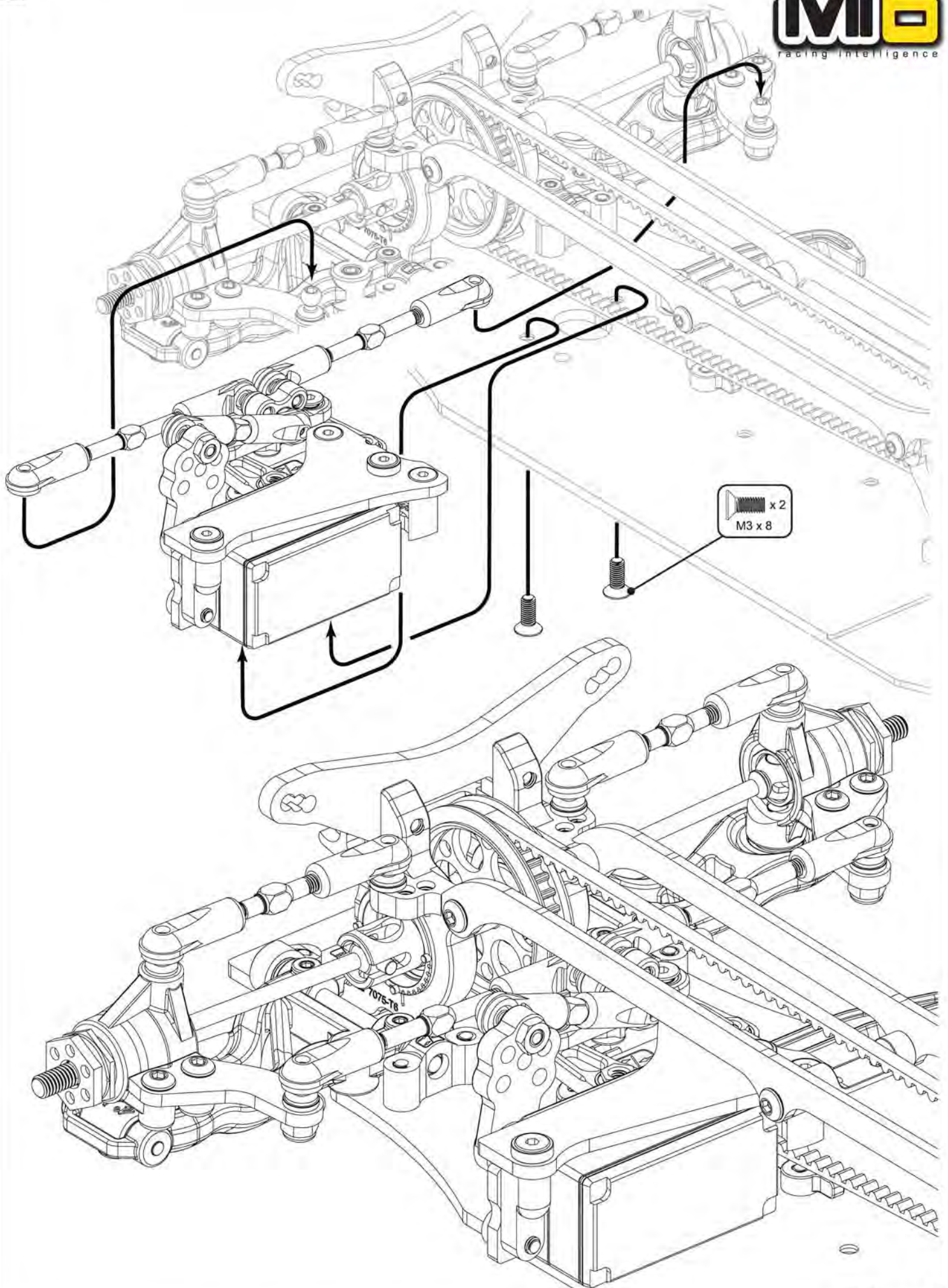
Step 37

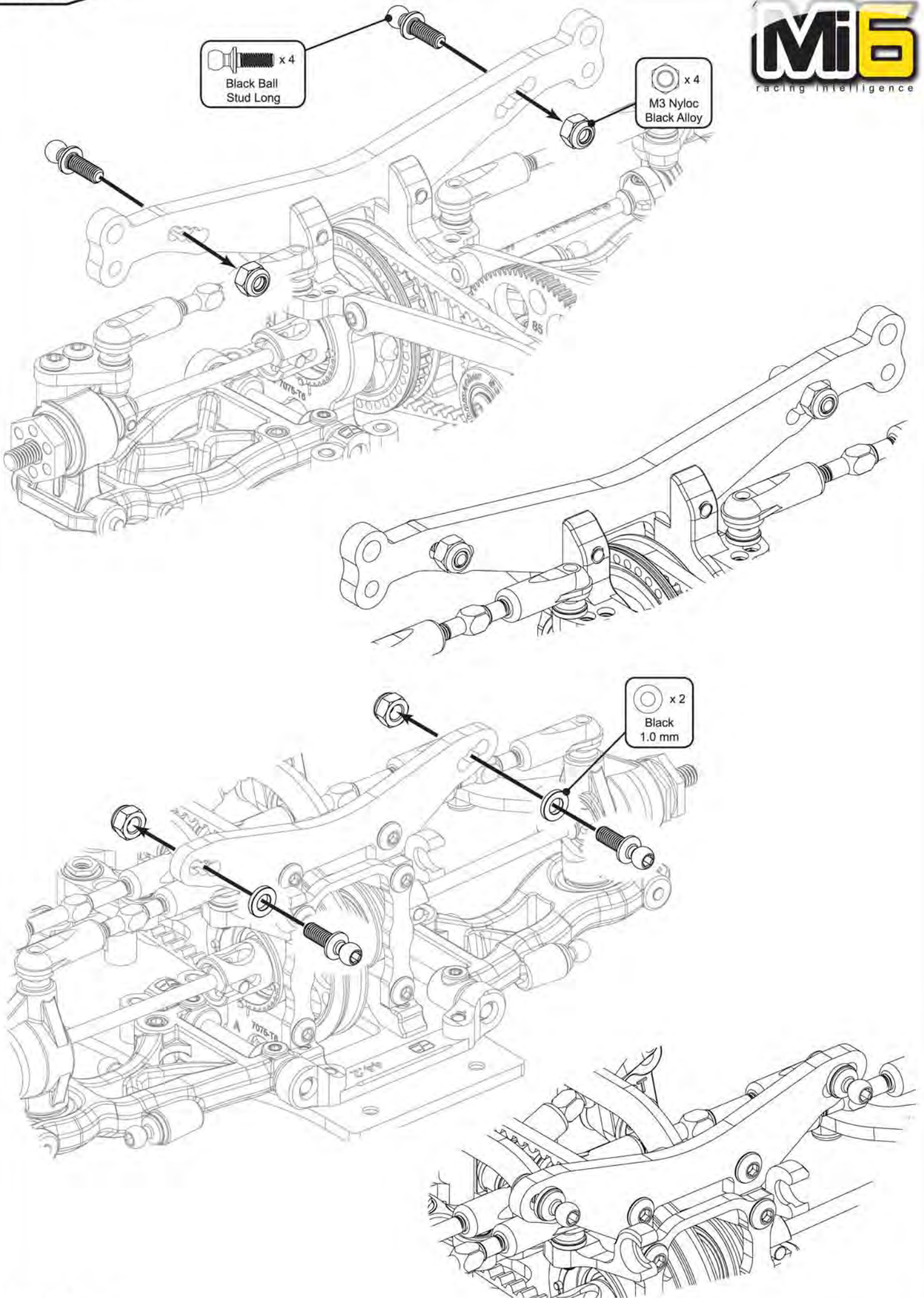
C

Power up the radio gear, and make sure the servo is at neutral before you screw on the servo horn.

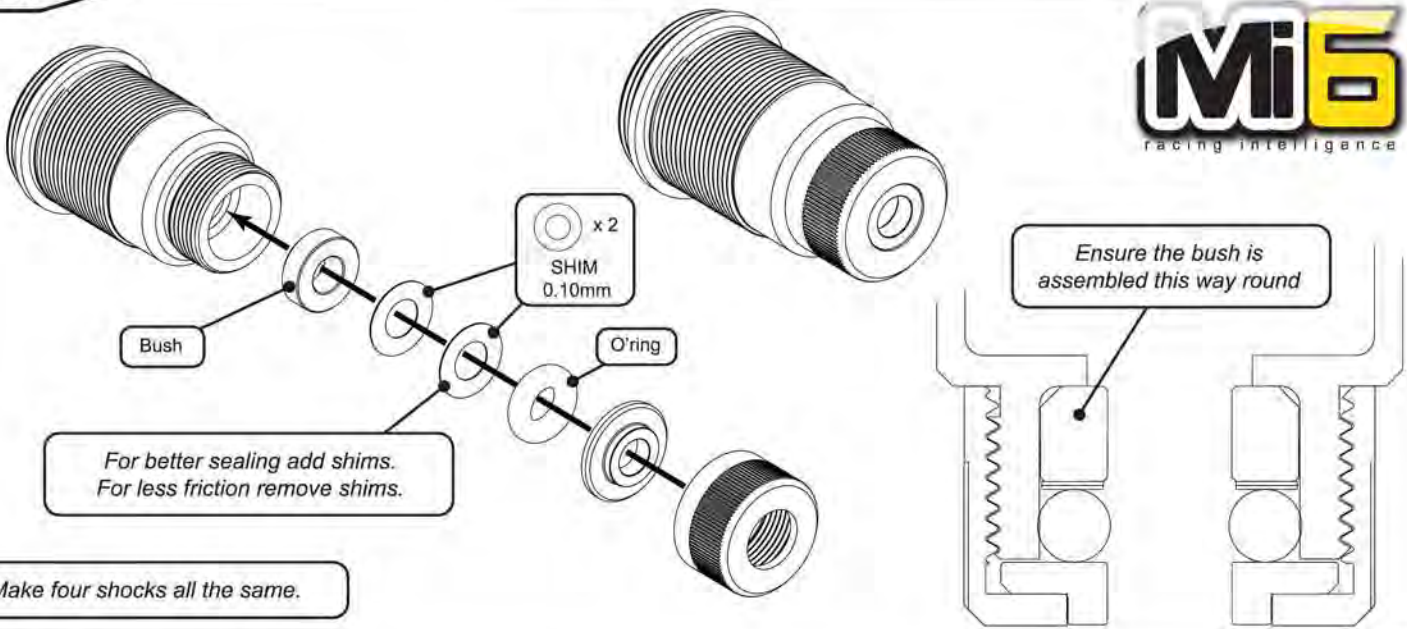
Screw provided with servo.





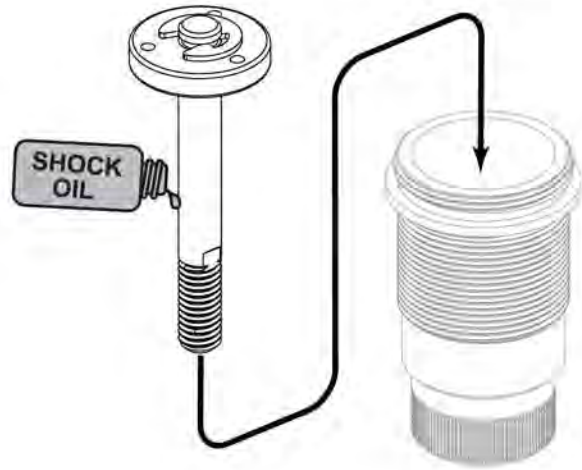
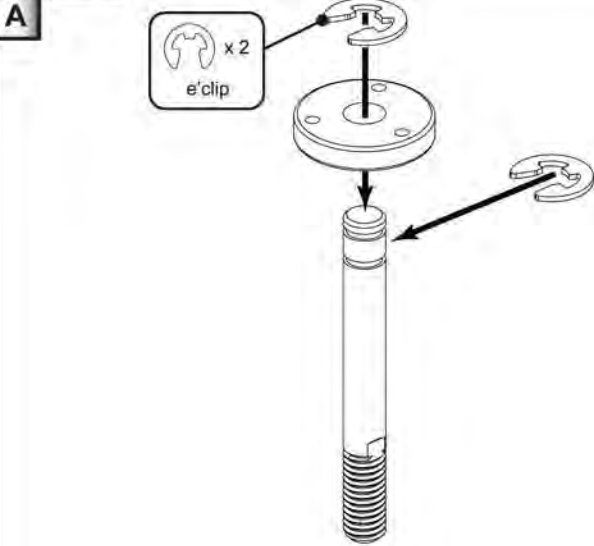


Step 39



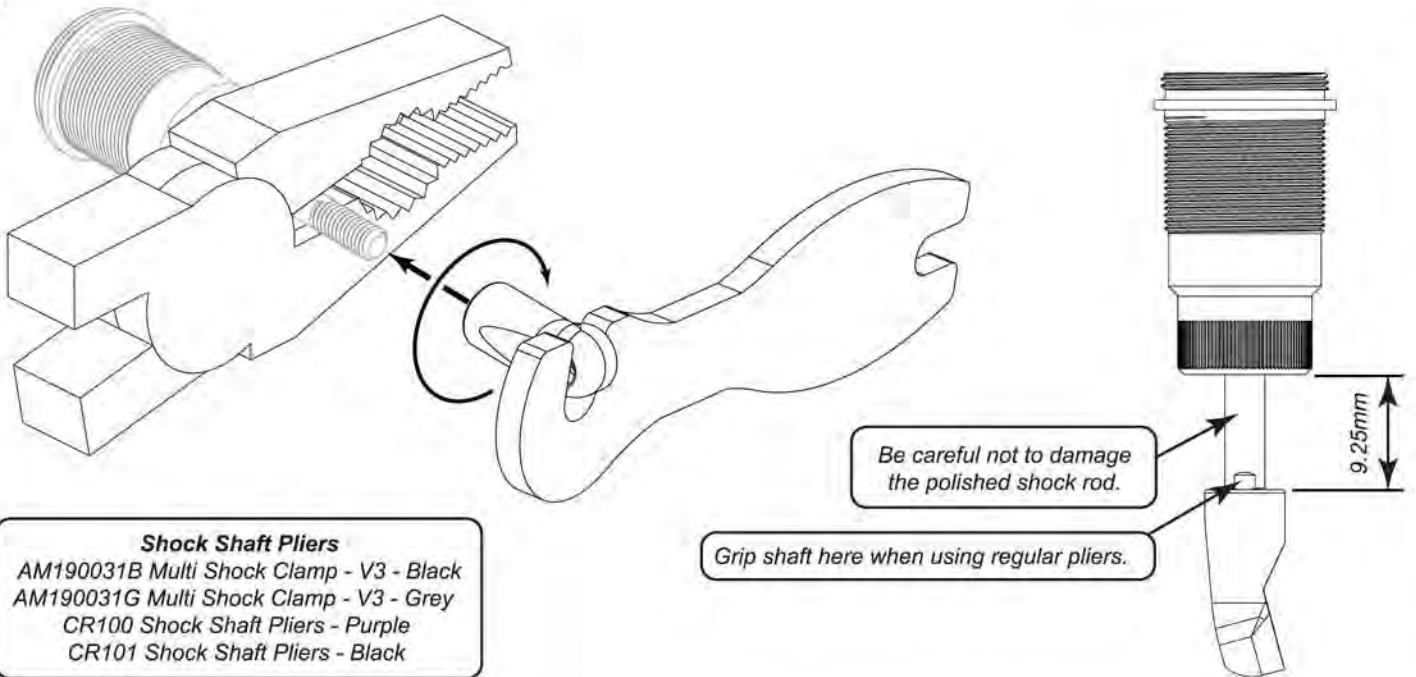
Make four shocks all the same.

Step 40



Step 40

B

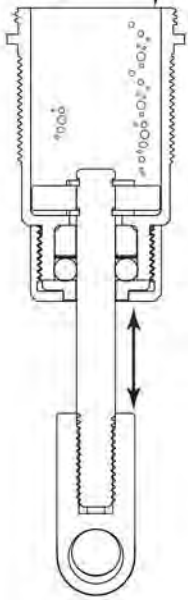


Shock Shaft Pliers
 AM190031B Multi Shock Clamp - V3 - Black
 AM190031G Multi Shock Clamp - V3 - Grey
 CR100 Shock Shaft Pliers - Purple
 CR101 Shock Shaft Pliers - Black

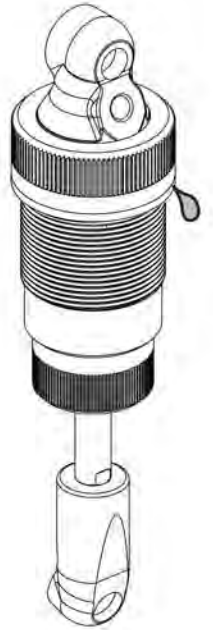
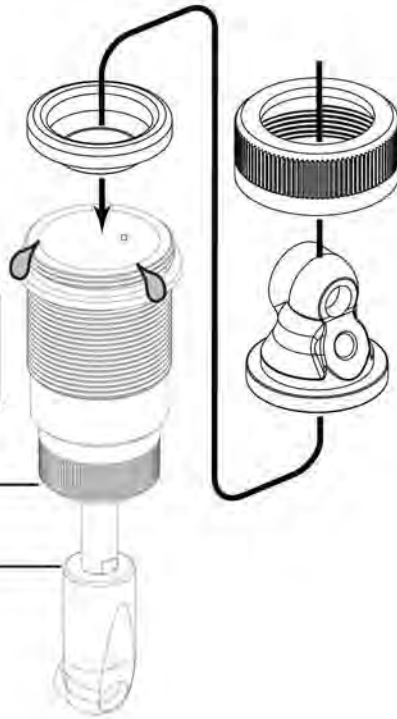
Step 41

A

Fill slowly with shock oil until level with top.
Move piston up and down slowly to allow
all air bubbles to rise and disappear.

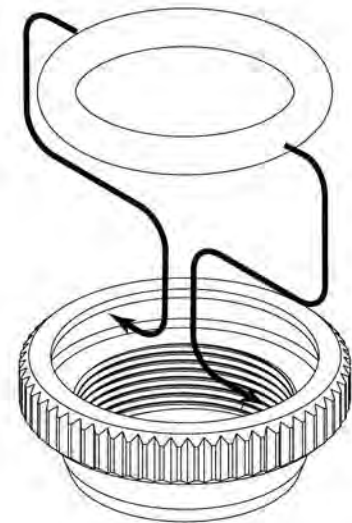
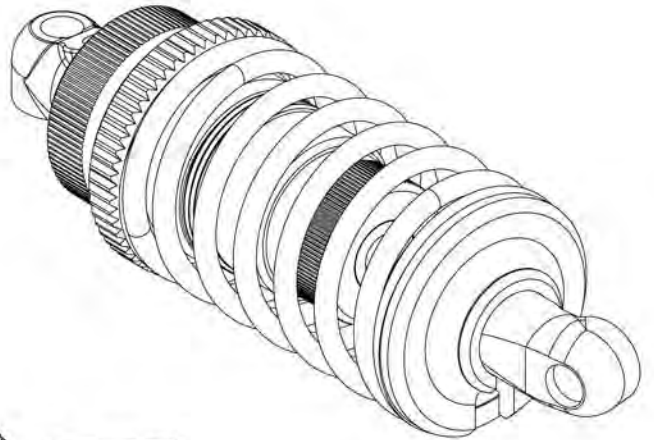


Adjust this distance (X)
To suit the amount
of rebound you want.
Bigger distance = More rebound

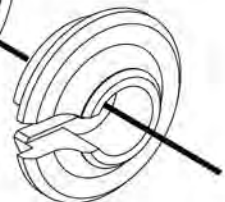


Step 41

B

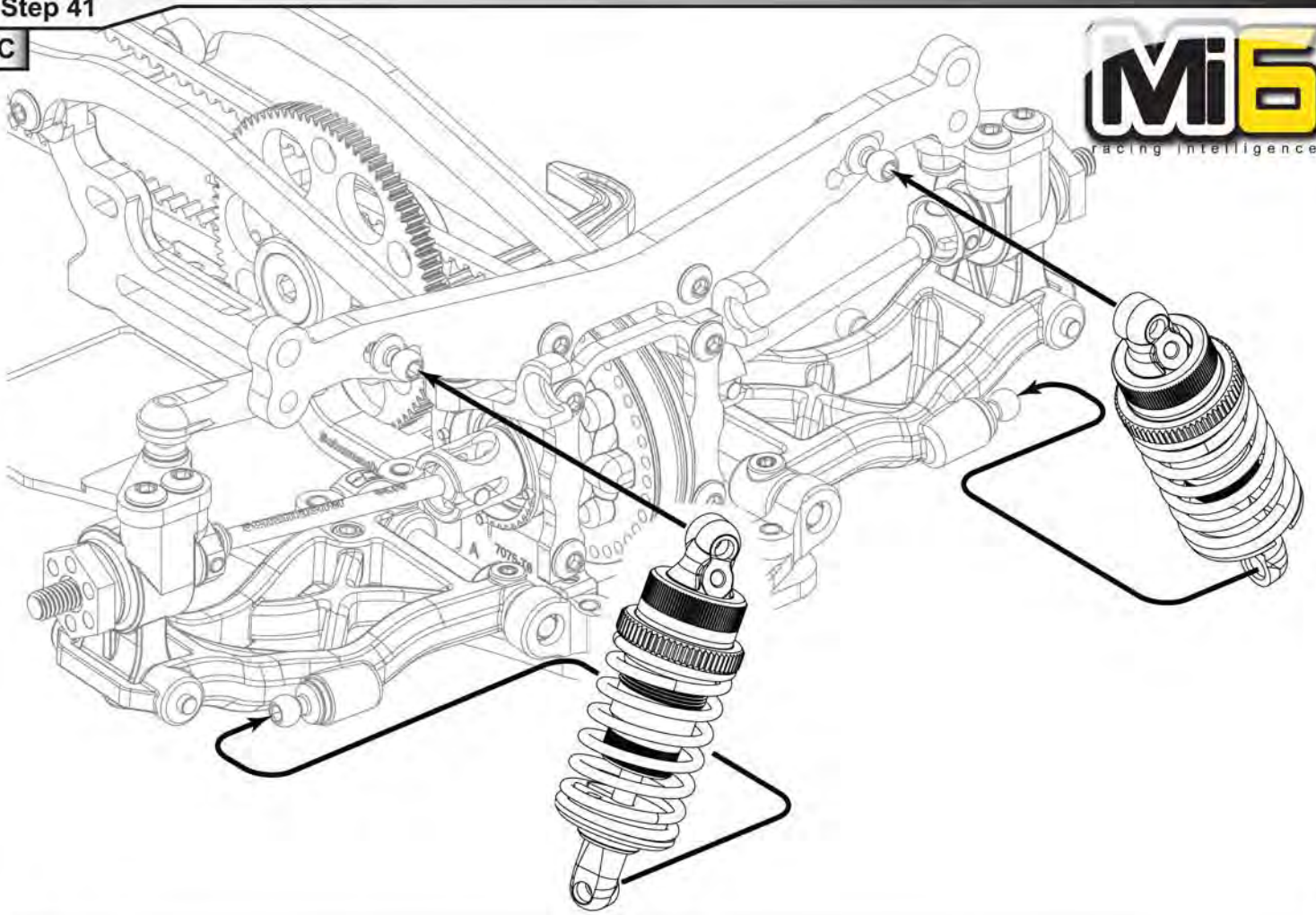


Lubricate the threads
and O'ring
with a small amount
of shock oil.



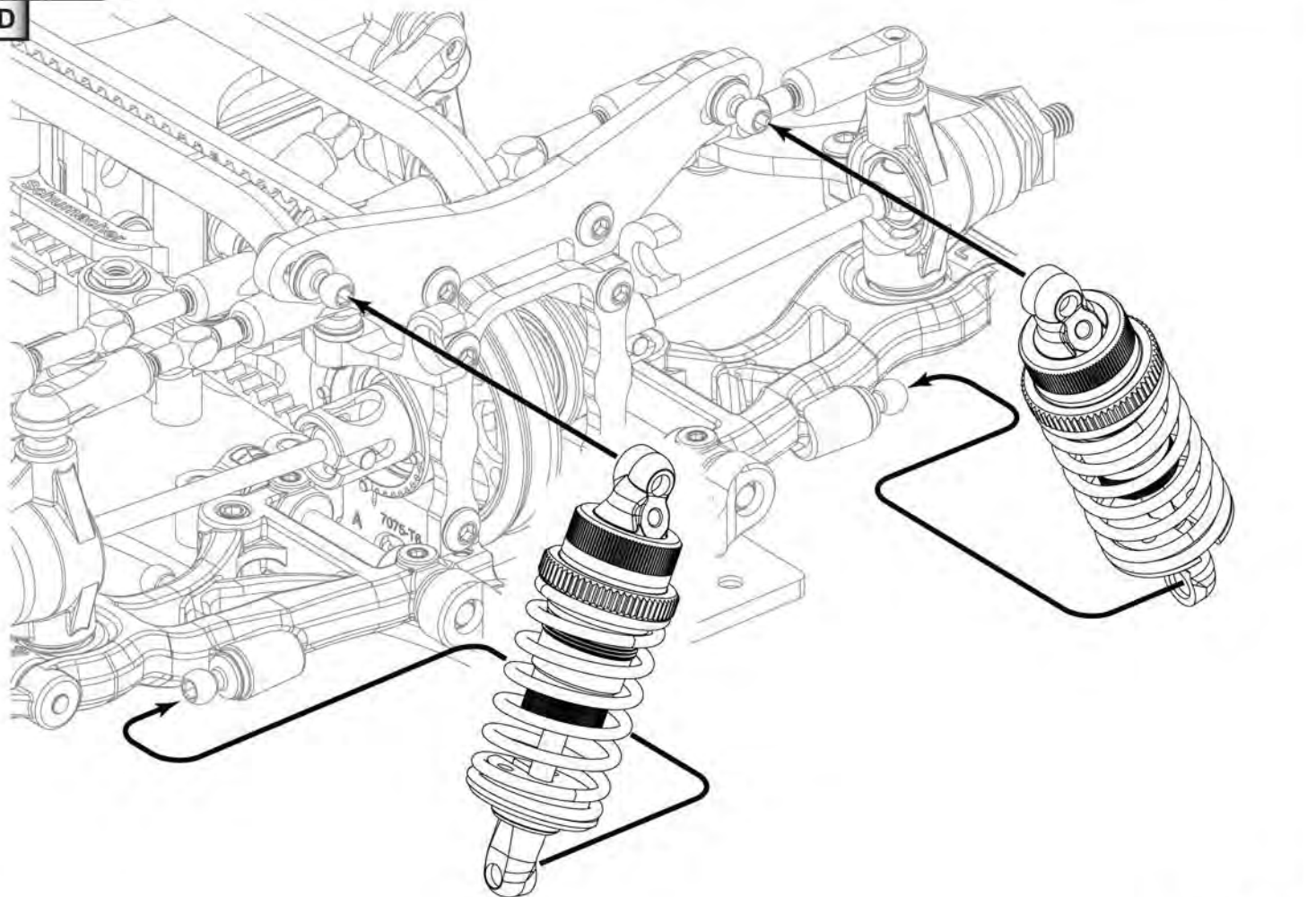
Step 41

C



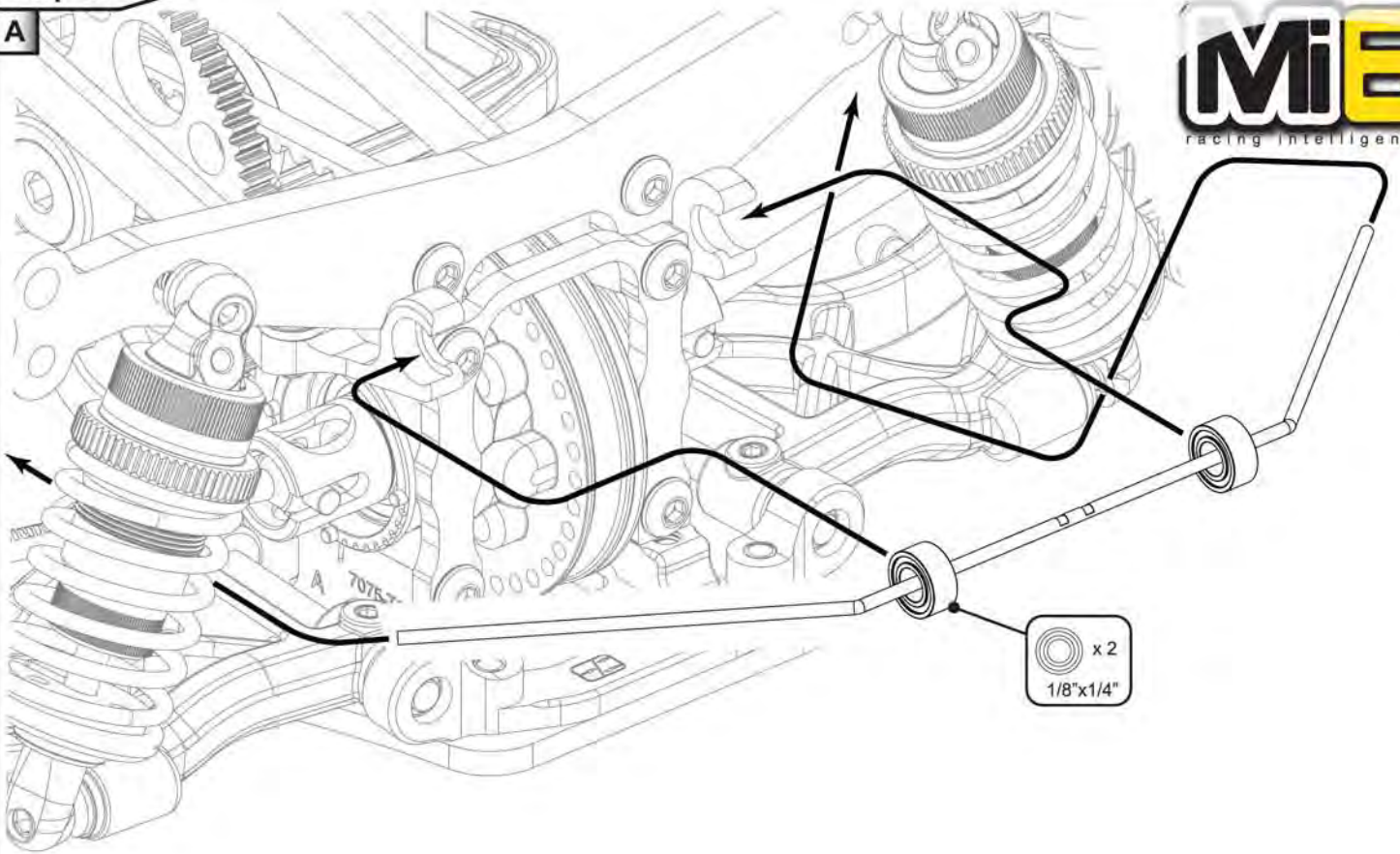
Step 41

D



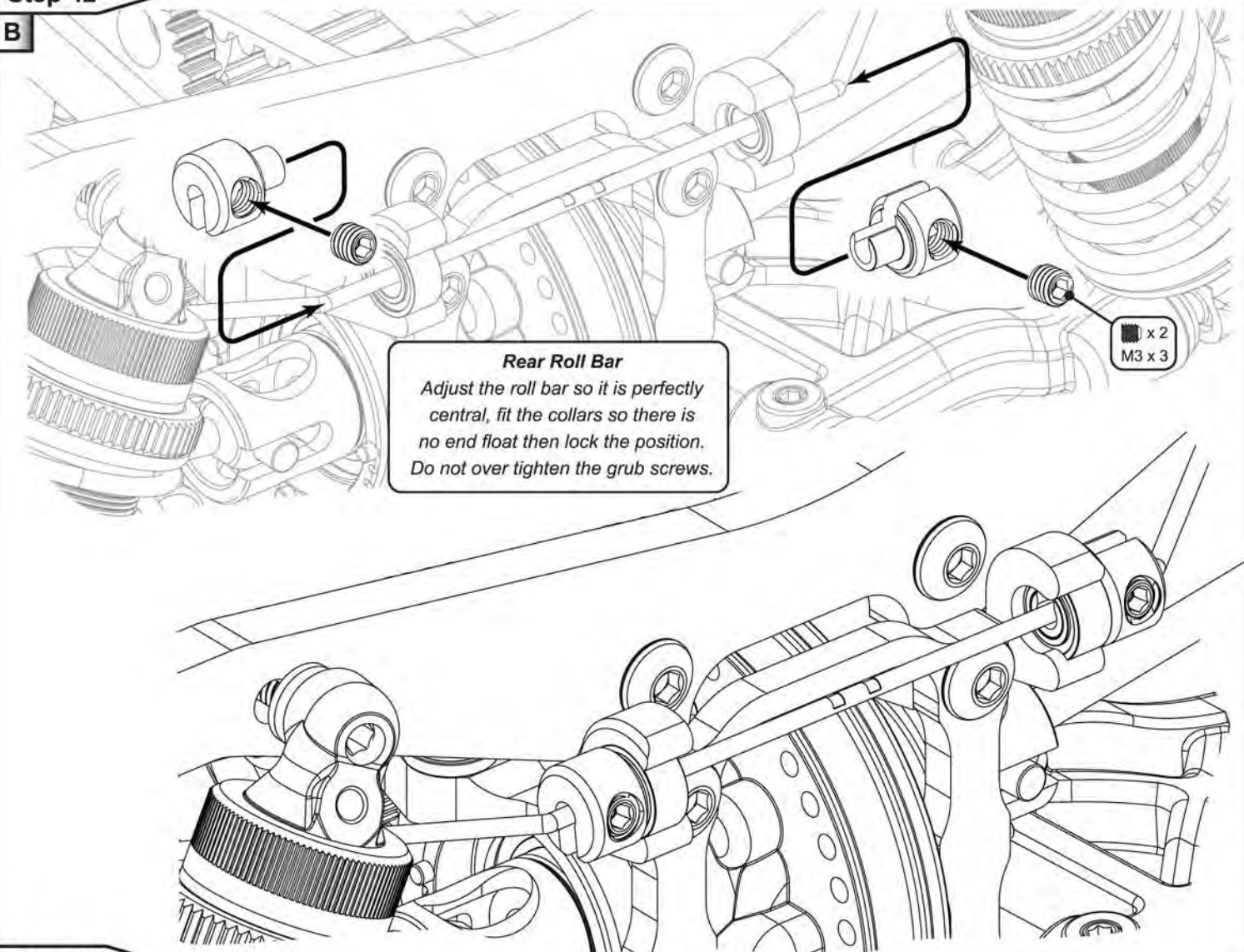
Step 42

A



Step 42

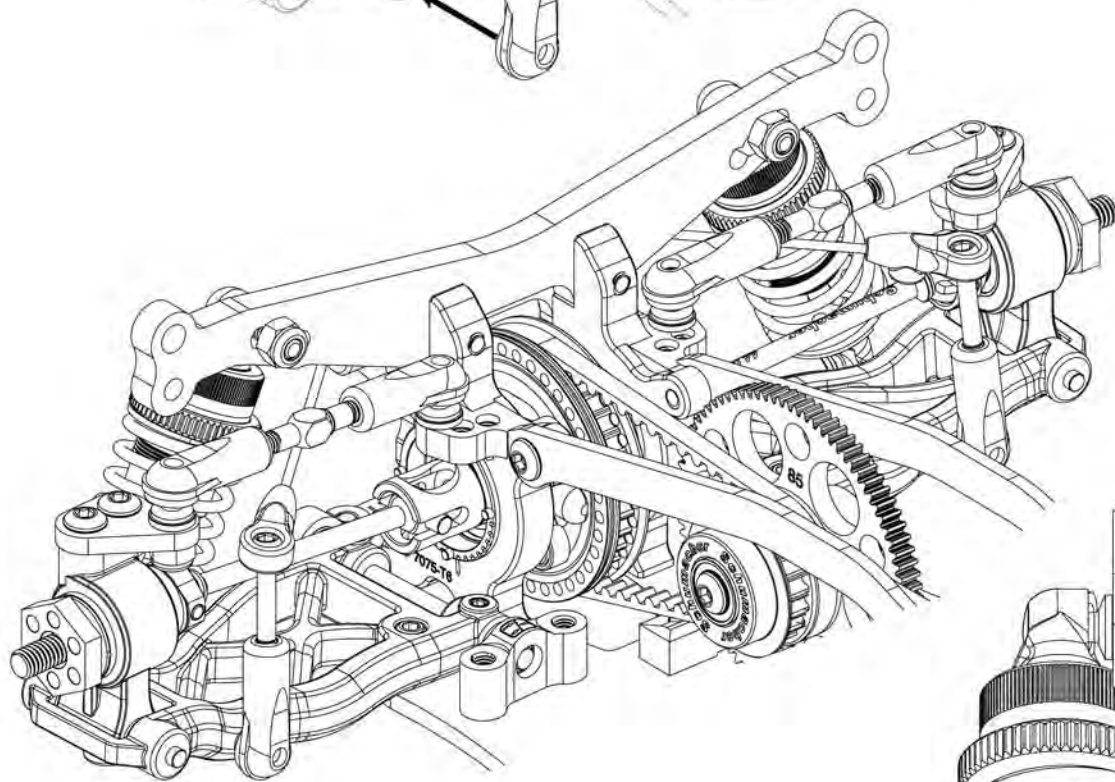
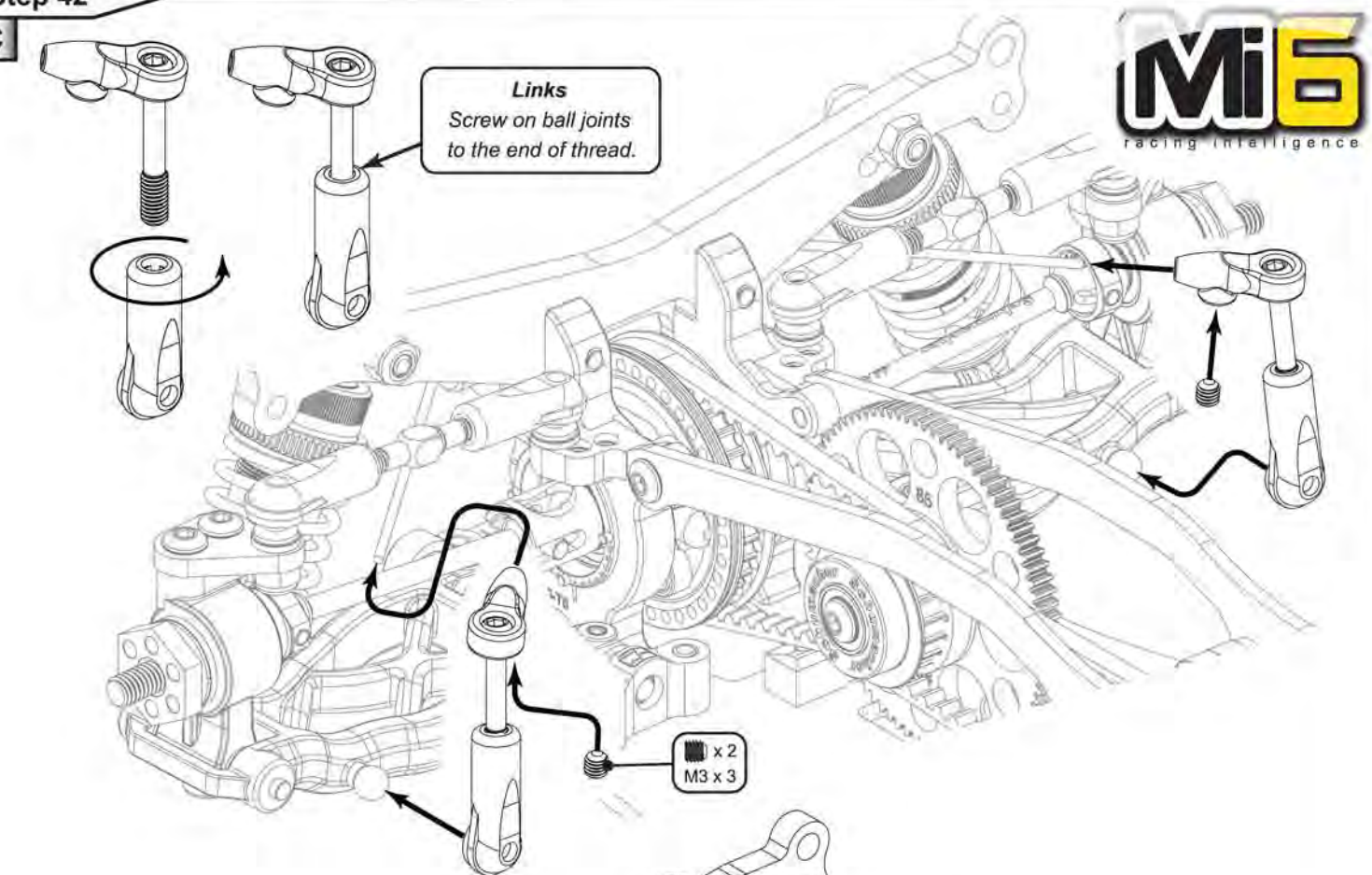
B



Rear Roll Bar
Adjust the roll bar so it is perfectly central, fit the collars so there is no end float then lock the position. Do not over tighten the grub screws.

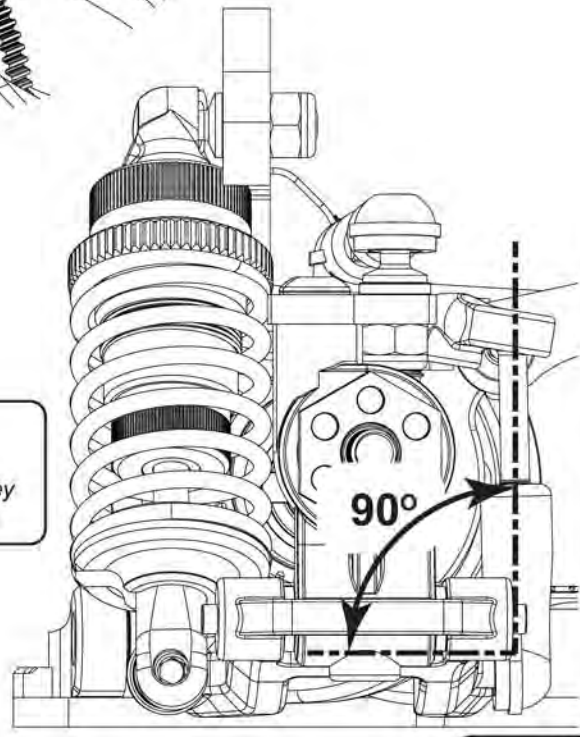
C

Links
Screw on ball joints
to the end of thread.



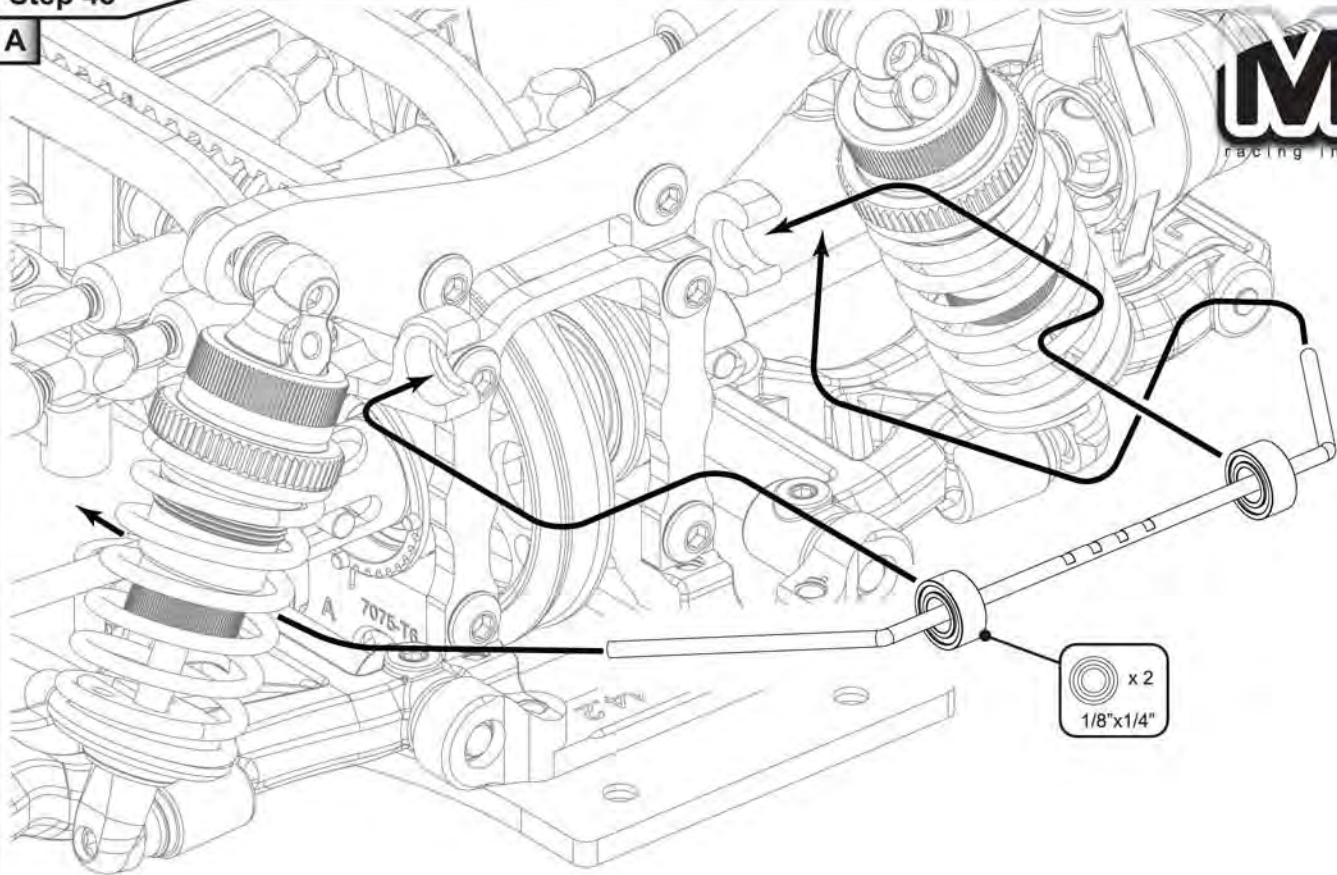
Ensure socket is free
on the wishbone ball.

Rear Links
Adjust the position of the
links on the roll bar so that they
are at 90° to the wishbone



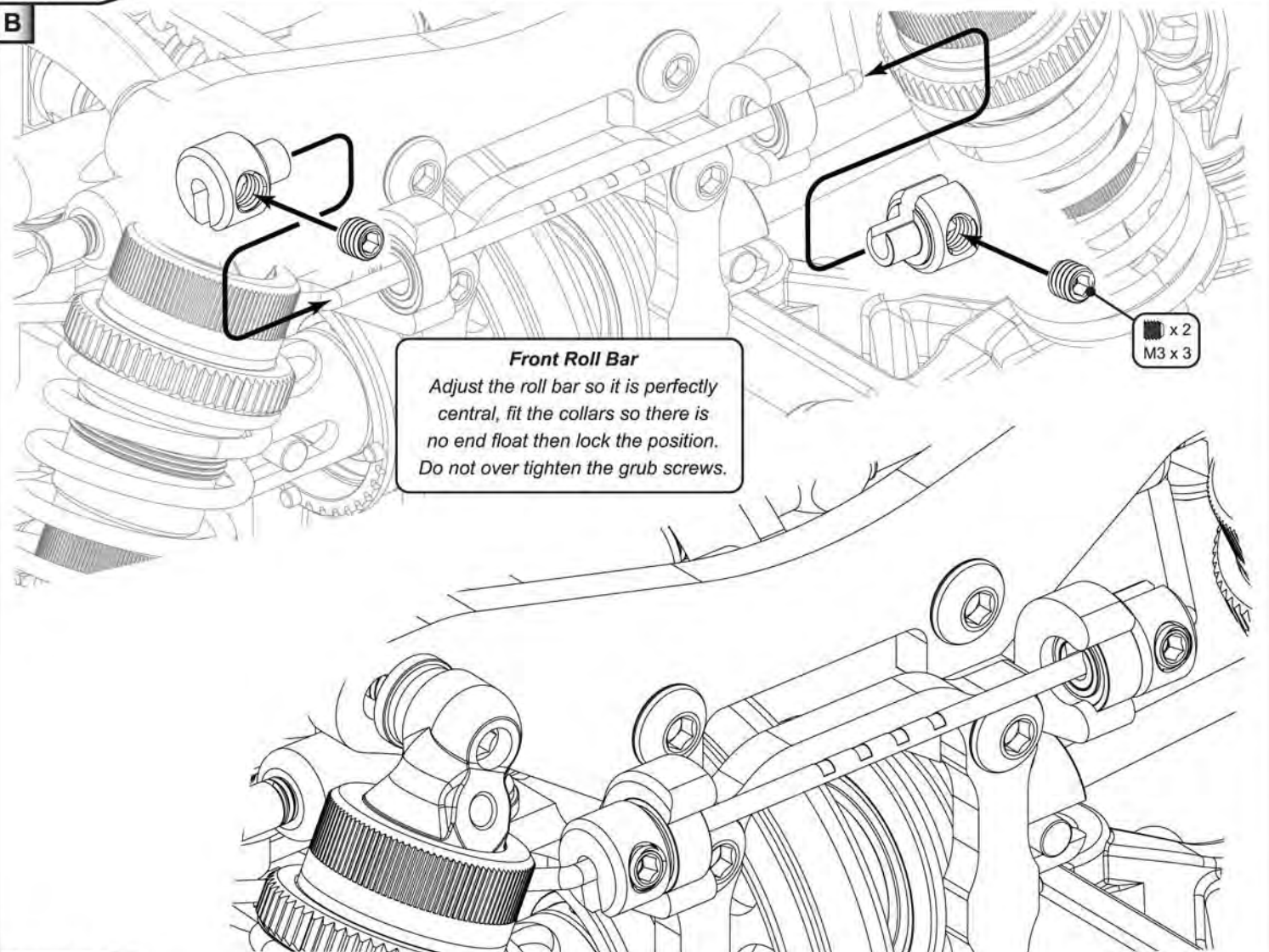
Step 43

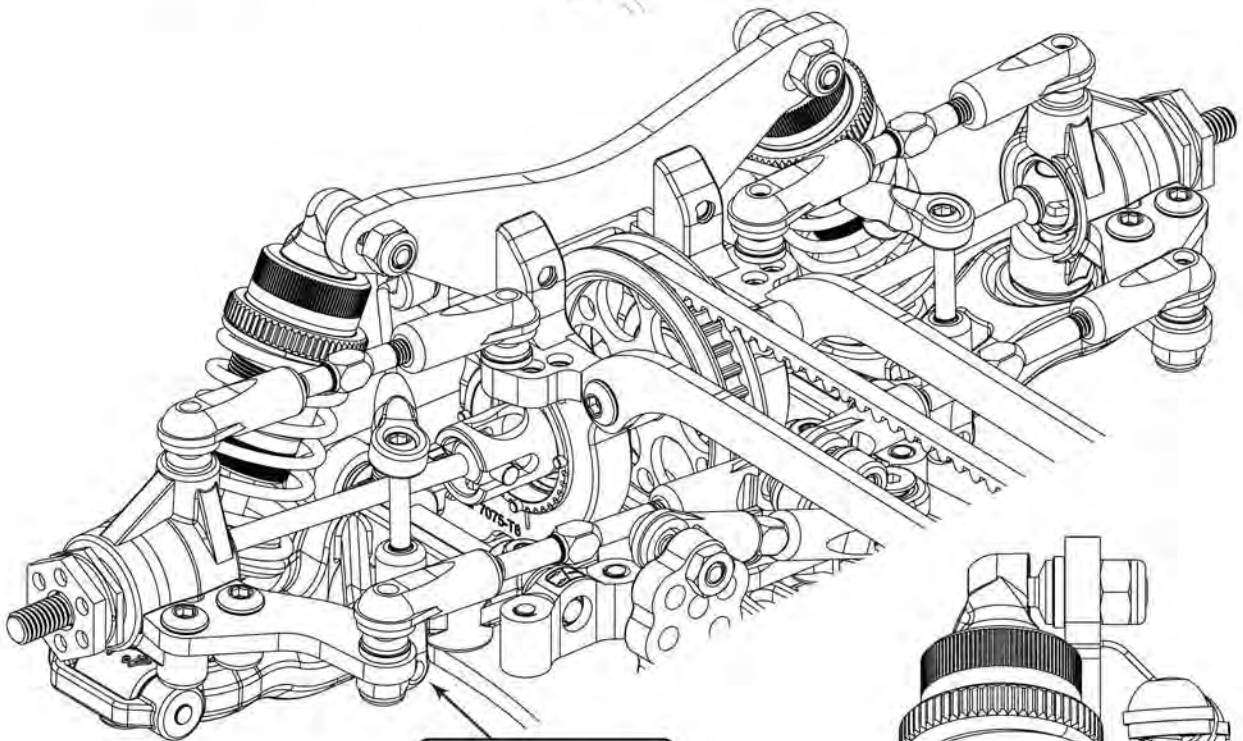
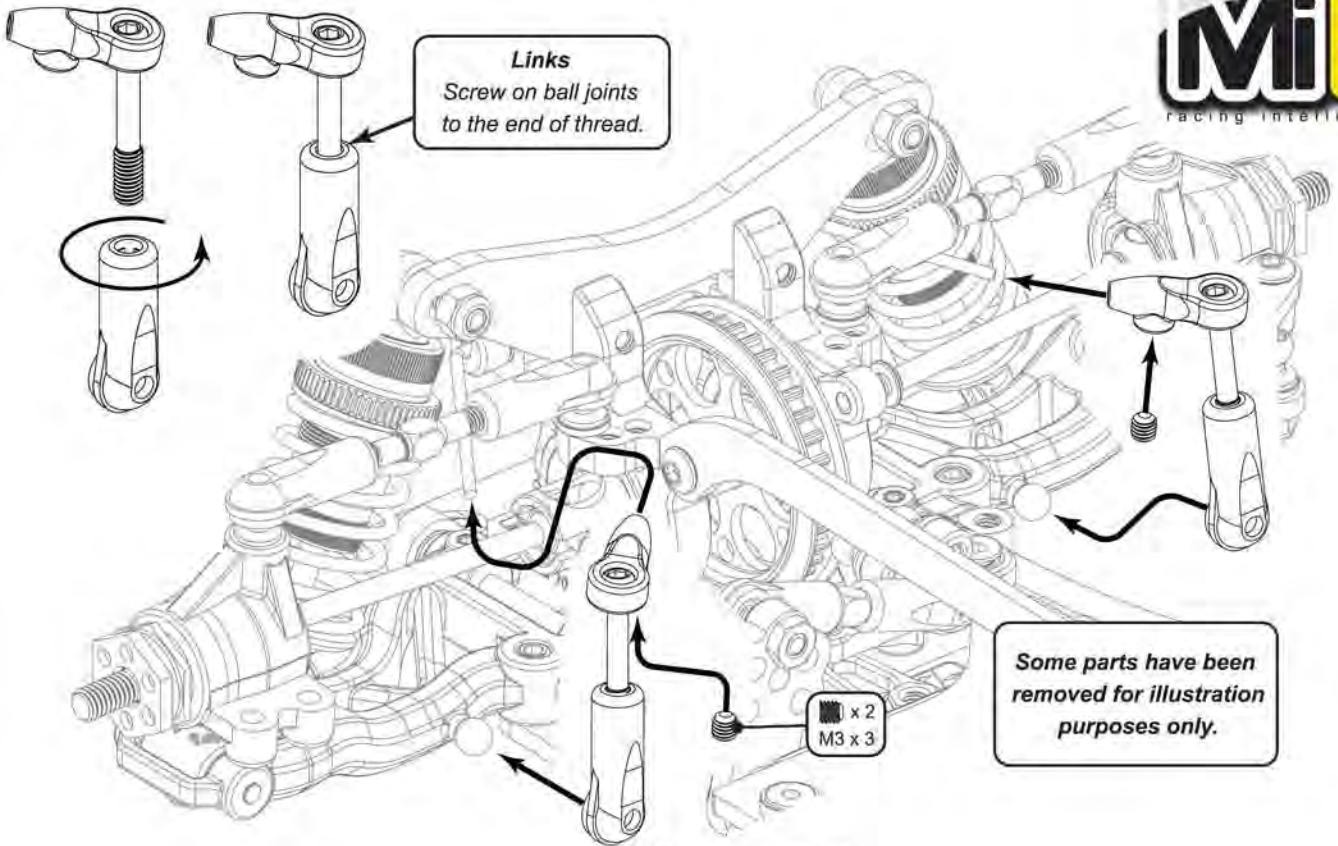
A



Step 43

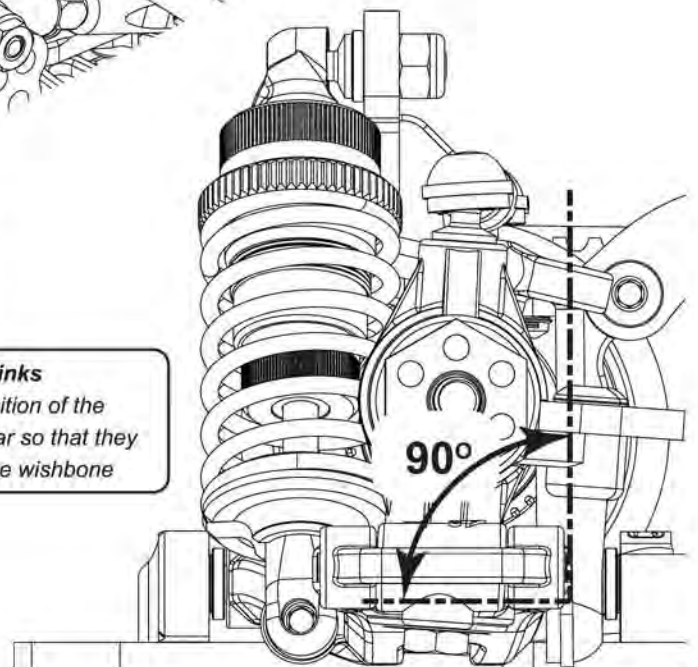
B

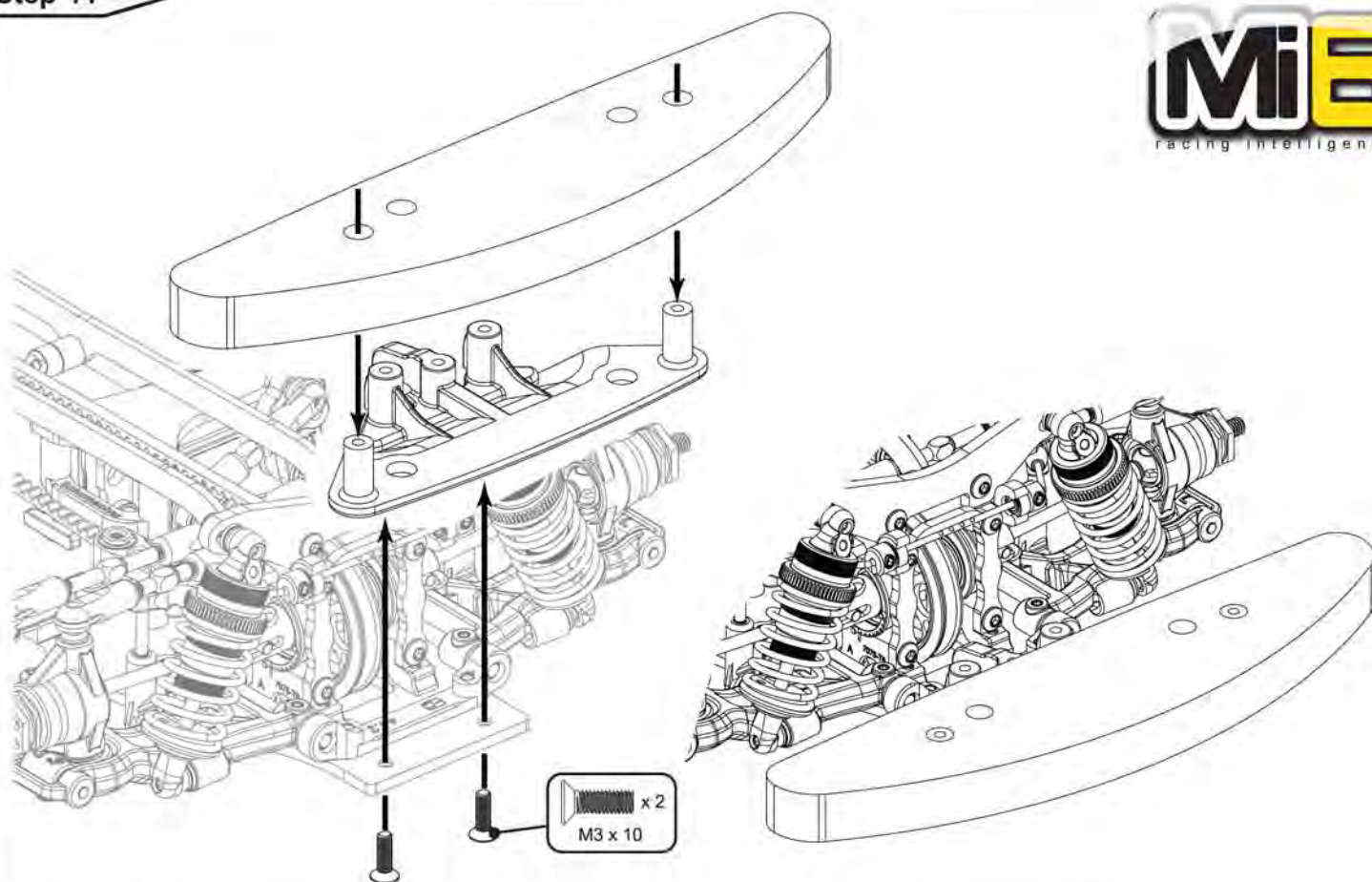




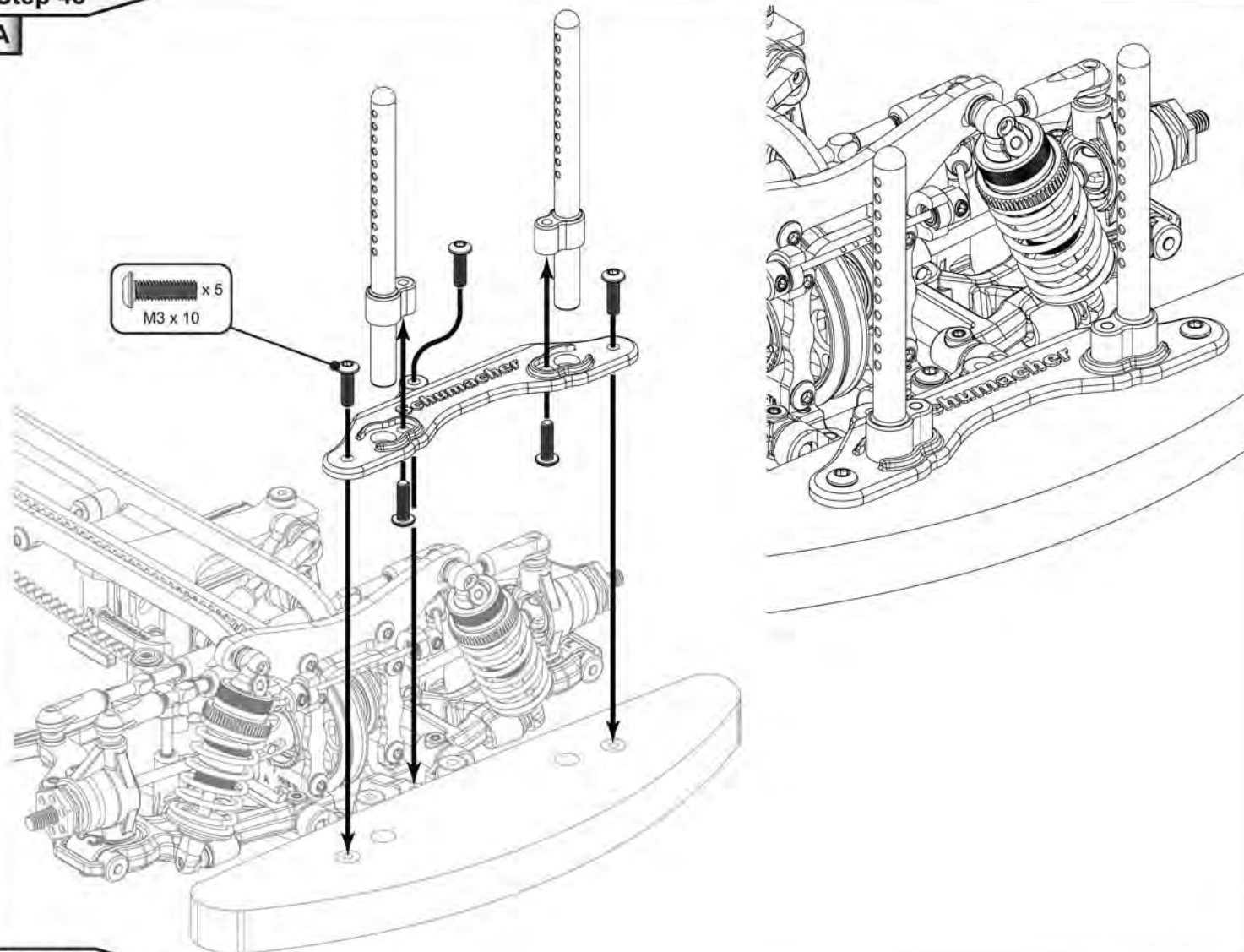
Ensure socket is free on the wishbone ball.

Front Links
Adjust the position of the links on the roll bar so that they are at 90° to the wishbone



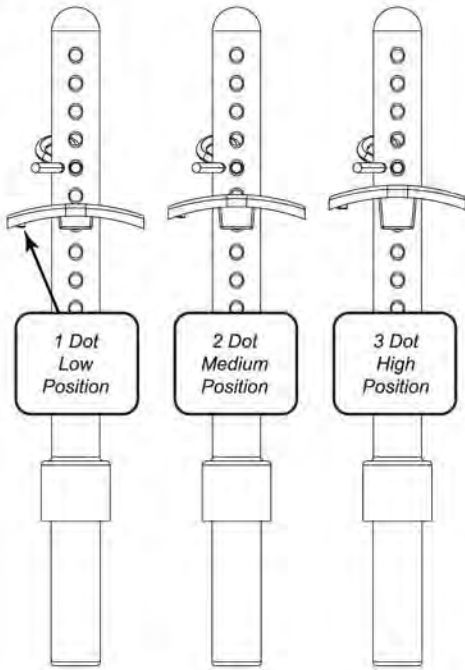


A



Step 45

B



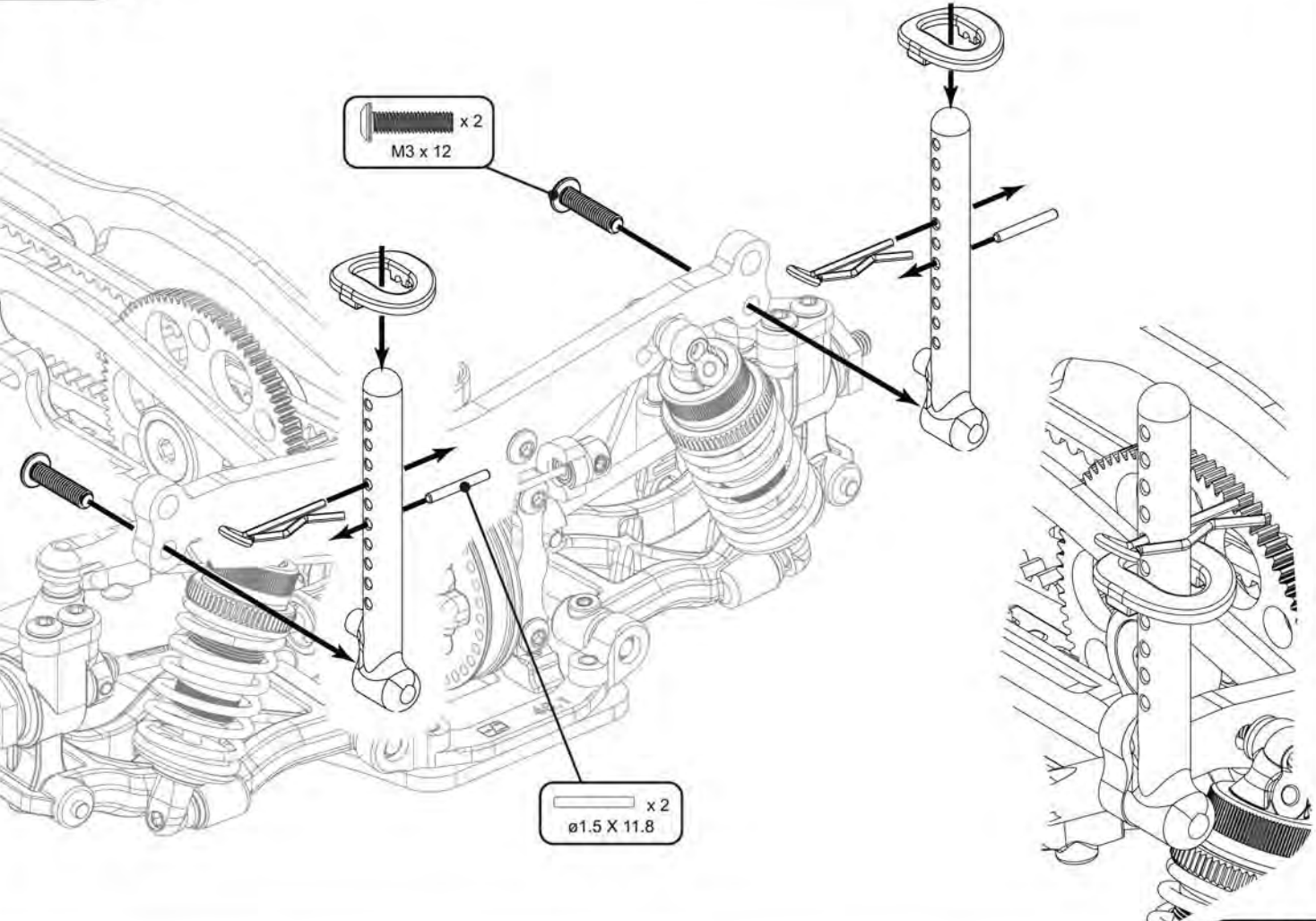
Snap the body washer onto the pin.

Press the pin centrally into the post.

x 2
ø1.5 X 11.8

Body Washers
Select the correct body washer to fine tune your bodyshell height.

Step 46



A

Transponder
not included

Receiver
not included

x 1
M3 x 4

x 2
Black
1.0 mm

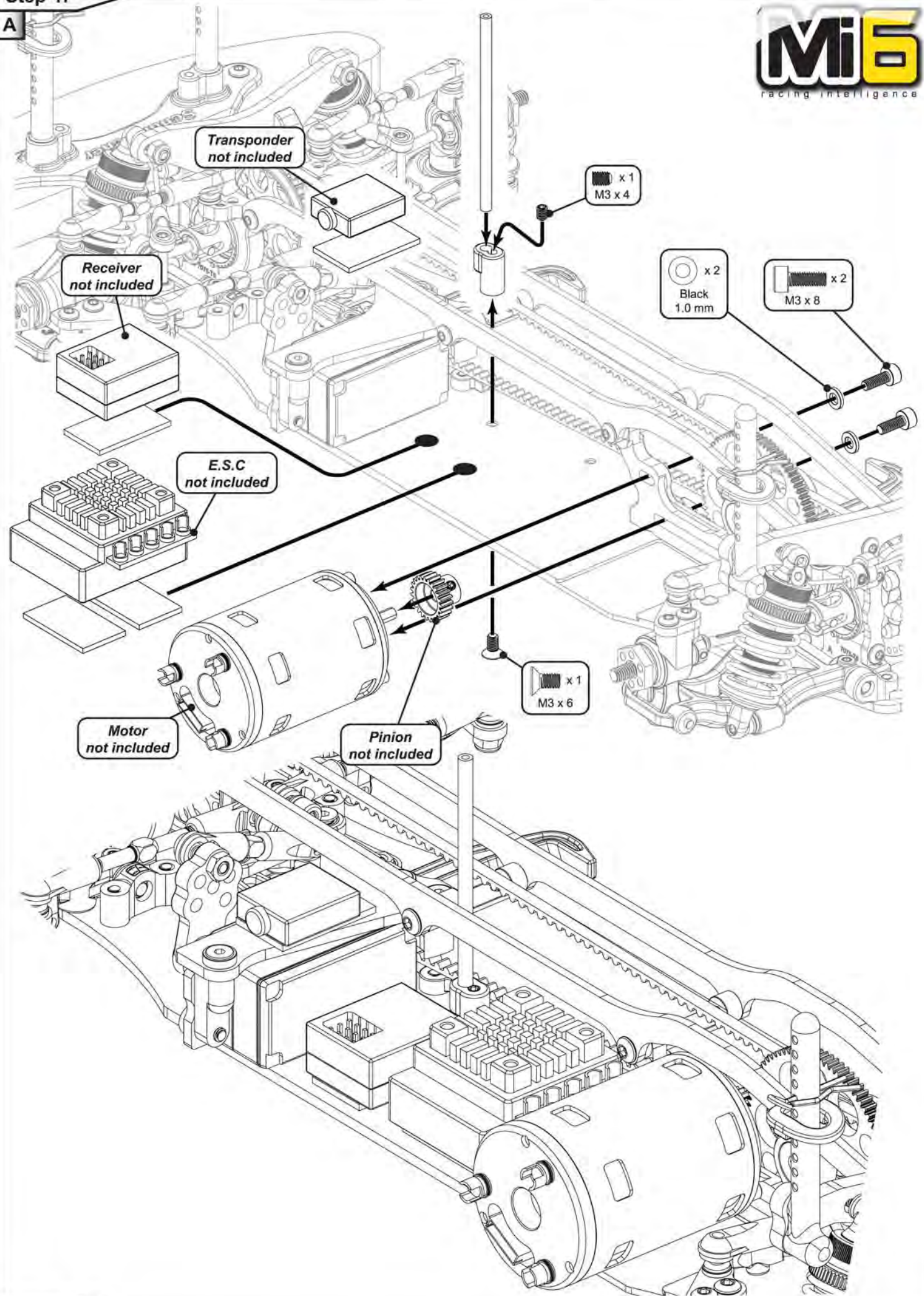
x 2
M3 x 8

E.S.C
not included

x 1
M3 x 6

Motor
not included

Pinion
not included



Step 47

B

Battery Tape

- CR005 Black tape
- CR006 Blue tape
- CR037 Purple tape
- CR159 Orange tape
- H1039 Clear tape



LiPo
not included

Tape
not included

Use battery tape
to secure the lipo battery.

Step 48

Wheels and tyres
are not included in the kit.

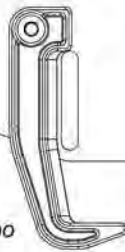
x 4
M4 Serrated Nut

Track Settings

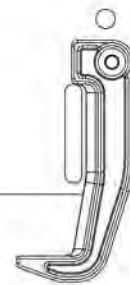
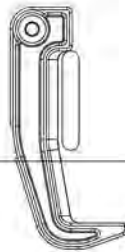
Cell Type



2S Stick Lipo



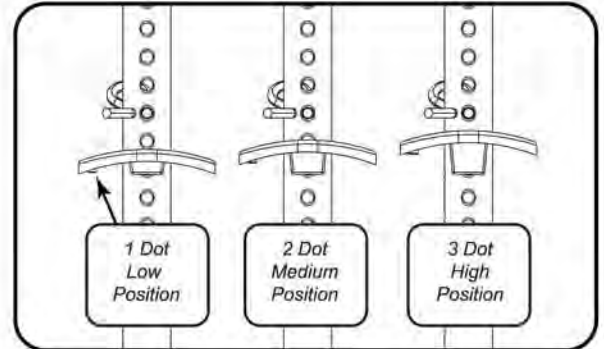
2S Shorty Lipo



Body Height Position

The kit allows for the fine adjustment of bodyshell height with the inclusion of three different body washers. These body washers have three incremental steps in height. The one dot washer is the lowest, the three dot washer is the highest.

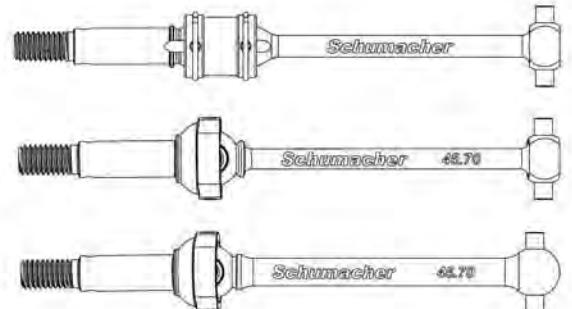
The CoreRC alloy body adjuster (CR309) allows for infinite adjustment of the body height.



Driveshafts

Alloy driveshafts will reduce the weight of the car and give faster acceleration.

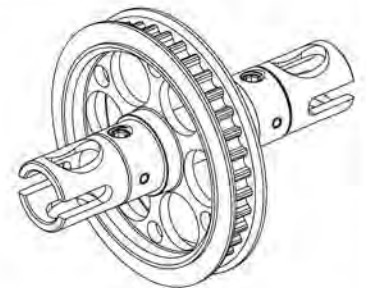
The double joint driveshafts will make the car much smoother on lock, but they can have slightly less entry steering over the standard driveshafts.



Gear Diff - Spool

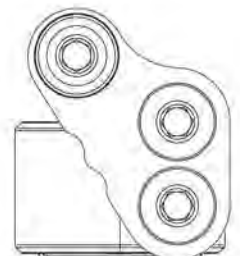
In the front a spool is the standard choice and the best option for most conditions.

A gear diff will give more mid corner steering, but suffer on corner exit. We use a gear diff on very tight twisty tracks.



Rear Roll Centre Plates

The zero dink rear hub plate gives a good all round position, the one dink shortens the link 1mm per side and the two dink plate shortens the link a further 1mm per side. A shorter link gives more camber change which will give more initial grip but will snap away faster in comparison to a longer link that will be easier to control. A shorter link helps the car rotate better on a hairpin style corner.



Track Settings



Gear Chart 48DP

Standard Motor Mount

Maximum Tooth Sum = 112
Minimum Tooth Sum = 100
Internal Ratio = 1.8:1

Blinky Motor Mount

Requires
U4930 - Blinky Motor Spacer - Mi6

Maximum Tooth Sum = 80
Minimum Tooth Sum = 63
Internal Ratio = 1.8:1

	14	15	16	17	18	19	20	21	22	23	24	25	26	27	28	29	30	31	32	33
44						4.17	3.96	3.77	3.60	3.44	3.30	3.17	3.05	2.93	2.83	2.73	2.64	2.55	2.48	2.40
64	8.23	7.68	7.20																	
70																	4.20	4.06	3.94	3.82
74													5.12	4.93	4.76	4.59	4.44	4.30	4.16	4.04
80						7.20	6.86	6.55	6.26	6.00	5.76	5.54	5.33	5.14	4.97	4.80	4.65	4.50		
85		10.20	9.56	9.00	8.50	8.05	7.65	7.29	6.95	6.65	6.38	6.12	5.88	5.67						
87	11.19	10.44	9.79	9.21	8.70	8.24	7.83	7.46	7.12	6.81	6.53	6.26								
89	11.44	10.68	10.01	9.42	8.90	8.43	8.01	7.63	7.28	6.97										

Gear Chart 64DP

Standard Motor Mount

Maximum Tooth Sum = 149
Minimum Tooth Sum = 133
Internal Ratio = 1.8:1

Blinky Motor Mount

Requires
U4930 - Blinky Motor Spacer - Mi6

Maximum Tooth Sum = 106
Minimum Tooth Sum = 84
Internal Ratio = 1.8:1

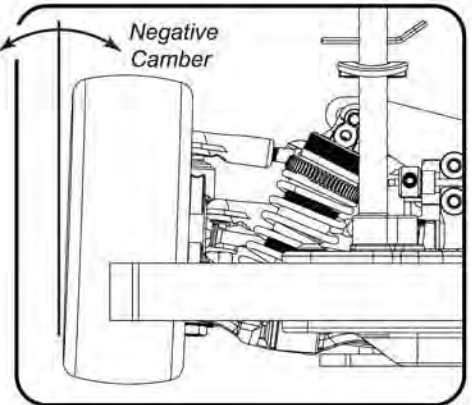
	21	22	23	24	25	26	27	28	29	30	31	32	33	34	35	36	37	38	39	40	41	42	43	44
59					4.25	4.08	3.93	3.79	3.66	3.54	3.43	3.32	3.22	3.12	3.03	2.95	2.87	2.79	2.72	2.66	2.59	2.53	2.47	2.41
90																							3.77	3.68
96																	4.67	4.55	4.43	4.32	4.21	4.11	4.02	3.93
106							7.07	6.81	6.58	6.36	6.15	5.96	5.78	5.61	5.45	5.30	5.16	5.02	4.89	4.77	4.65	4.54	4.44	
114	9.77	9.33	8.92	8.55	8.21	7.89	7.60	7.33	7.08	6.84	6.62	6.41	6.22	6.04	5.86									
118	10.11	9.65	9.23	8.85	8.50	8.17	7.87	7.59	7.32	7.08	6.85													

Camber

With maximum negative camber the car will have high levels of grip, but there may be the possibility of sudden breakaway in corners. Reducing the camber gives a more progressive slide, but may give less grip.

Positive
Camber

Negative
Camber



Track Width Adjustment using Spacers and Hexes

You can change the front and rear track width using:

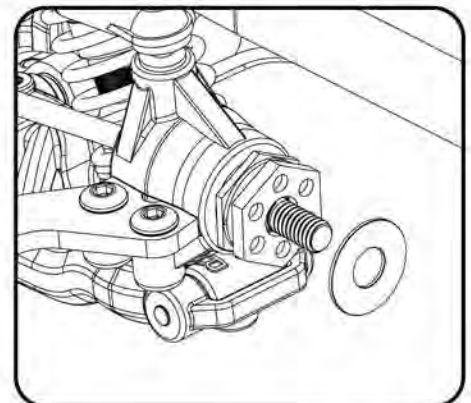
U4321 - Alloy Wheel Shims 0.50 & 1.00mm

or

U3570 - Alloy Wheel Hex - Slim - (pr)

U3525 - Alloy Wheel Hex - Medium - (pr)

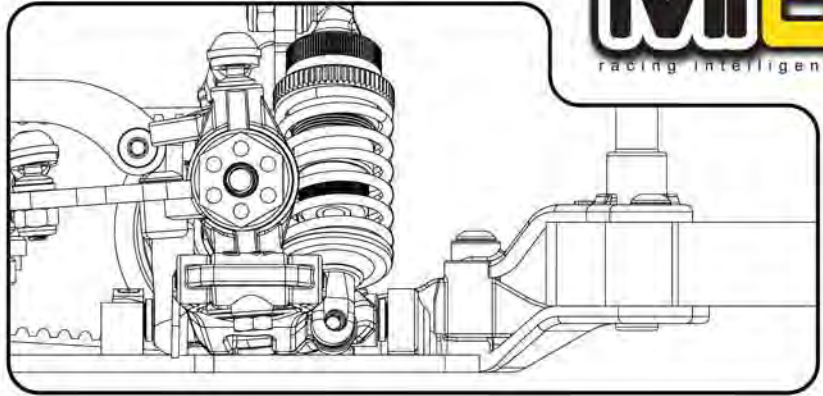
U4577 - Alloy Wheel Hex - Wide - (pr)



Front Castor

The front castor can be altered by changing the yoke. The car comes with 4° castor as standard. More castor will give slightly slower turn in, but more on power steering.

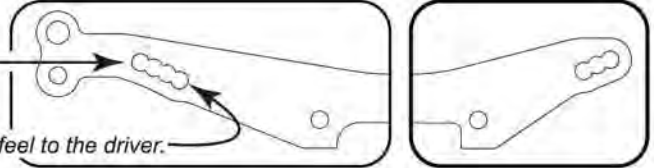
- U4549 - Micro Caster Block 4°
- U4573 - Micro Caster Block 6°



Shock Mount

Vertical shock absorbers make the car react sharply to driver inputs.

A laydown shock offers a softer feel to the driver.

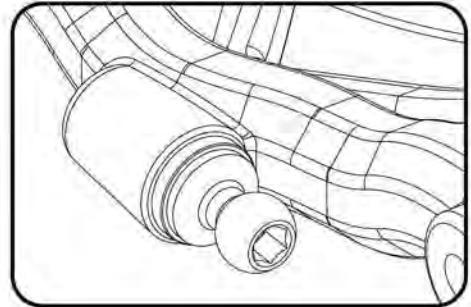


Wishbone Shock Mounting Position

The Mi6 offers ultimate adjustability with innovative sideways mounted damper ball studs. The kit 1mm washer offers the same wheel rates (assuming the same spring) as found on the proven Mi5evo. By adding washers, the car will become more responsive to driver input, making the car more nervous and difficult to drive. Conversely, reducing the number of washers makes the car softer and easier to drive.

Front: Adding a washer to the front ball stud will increase initial turn in, however at the expense of more mid-corner understeer. Removing the washer will reduce the turn in response, but will gain more mid-corner steering.

Rear: Adding a washer to the rear ball stud will tend to create an oversteer balance in the middle of the corner. Vice-versa, reducing the thickness of the washer will increase rear traction in the middle of the corner.



Link Ball Height

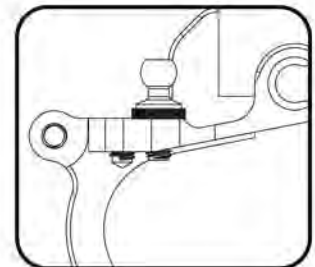
WIDTH ADJUSTMENT

The width of the inboard suspension link can be altered by selecting the appropriate hole.

HEIGHT ADJUSTMENT

The height of the inboard suspension link can be altered by adding or removing the black spacer washers, under the ball stud.

This adjustment alters the camber gain of the suspension, generally a lower ball stud (or shorter link) gives more instant cornering grip followed by a sudden breakaway. A higher ball (or longer link) gives smoother more progressive cornering grip.

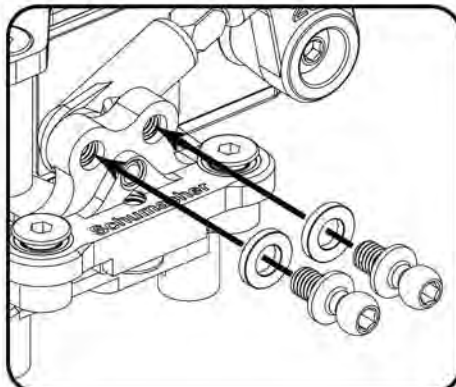


Optional Ackerman and Lock stops

ACKERMAN

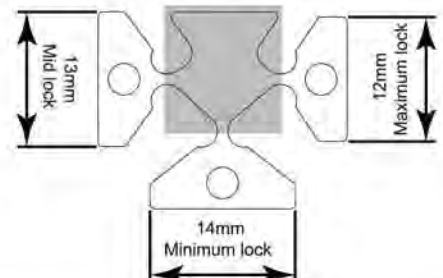
Reducing the number of washers behind the centre track rod ball stud will increase the inside wheel angle and reduce the outside wheel angle. This is more suited to tight tracks, with slow-speed corners.

Increasing the number of washers behind the ball stud will increase outside wheel angle and reduce inside wheel angle. This is more suited to open tracks, with high-speed corners.



LOCK STOPS

The kit comes with three optional lockstop triangles. Start with the 13.00mm mid lock triangle, for more steering use the 12.00mm maximum lock triangle and for less lock use the 14.00mm one.

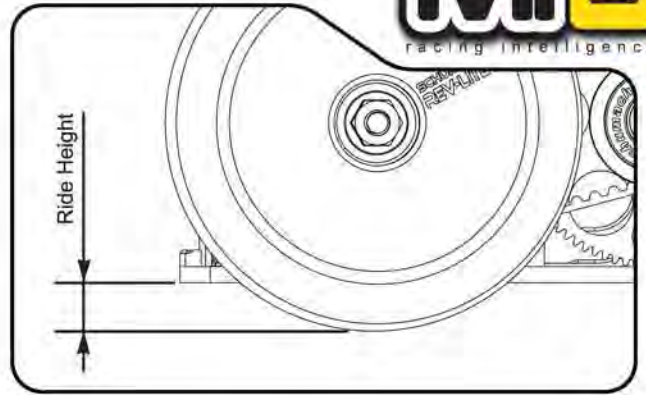


Track Settings

Ride Height

In general always run the car as low as possible, without the chassis grounding out as it rolls into corners.

A good starting point with rubber tyres is 5.5mm at the front and 6.0mm at the rear.

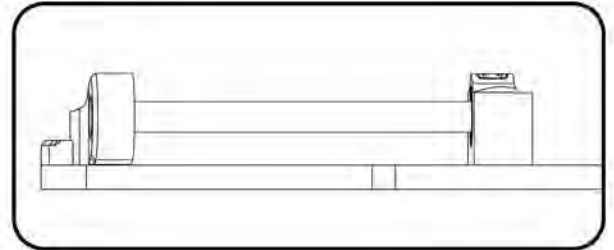


Suspension Pin Height

Changing the height of the wishbone pivot pin changes the roll centre.

Running the car in the kit low position offers the lowest roll centre, giving the car the most grip at the expense of increased body roll.

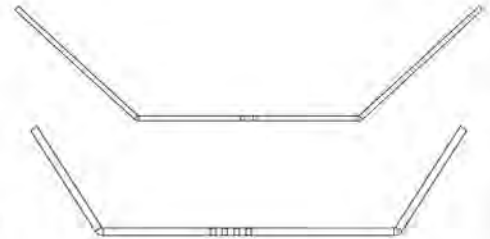
Raising the pin by adding BOTH spacers equally will raise the roll centre, this will reduce grip, but the car should be more stable.



Roll Bars

Changing the roll bar thickness changes the way the weight is transferred, and the roll of the car. A stiffer/thicker rear roll bar will reduce entry steering but increase on power steering. A thicker/stiffer front bar will increase entry steering. Generally we use thinner roll bars in bumpy conditions.

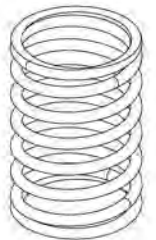
The roll bar link can be adjusted in length to compensate for roll bar tweak.



Shock Springs

The spring rate controls the suspension stiffness.

Spring adjusters only change the ride height. They DO NOT alter the suspension stiffness. On slippery or bumpy tracks use soft to medium rate springs, on flat or high grip tracks run medium to hard rate springs.



Shock Cap Type

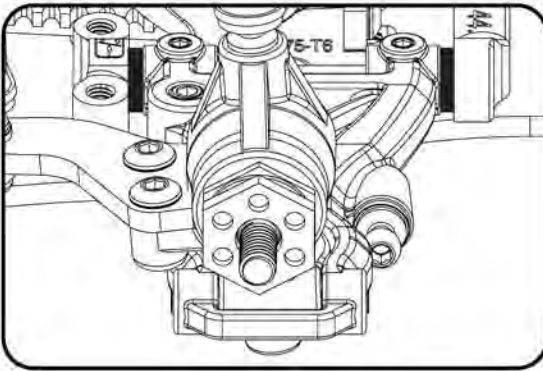
Vented caps give zero rebound of the shock shaft.

Sealed shock caps can be built to give between 0-100% rebound.

Emulsion shocks can be built to give suck back, the opposite of rebound.

Use less rebound in high traction conditions and more rebound in low traction conditions. Emulsion shocks/suck back is used in low grip conditions that need a lot of steering.

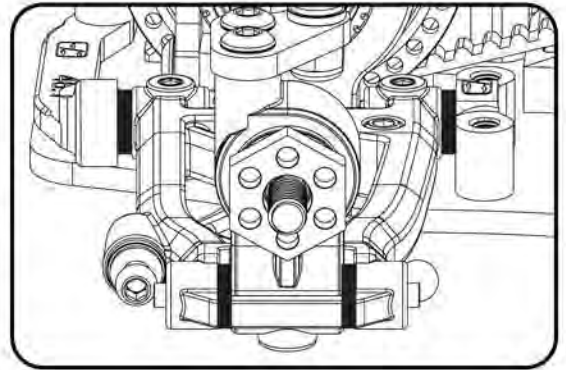




Wheelbase on the Mi6 can be adjusted by two different ways, either on the inboard front and rear pivot pins, or the rear outboard pivot pin.

Front: Moving the front axle forwards makes the car smoother to drive in the corner. This is good for open track layouts where good corner speed is critical to achieve a fast lap time. Moving the front axle rearwards reduces the turning circle of the car, providing more steering. This option is great for small, twisty tracks.

Rear: Moving the rear axle forwards will move the vehicle's weight distribution rearwards, thus increasing rear traction on power and giving more mid-corner rotation. This is better for small, twisty tracks. Moving the rear axle rearwards will reduce traction under acceleration, but make the car more stable in the middle of the corner.



Front Toe-in

The front toe-in is set by adjusting the steering trackrod turnbuckles.

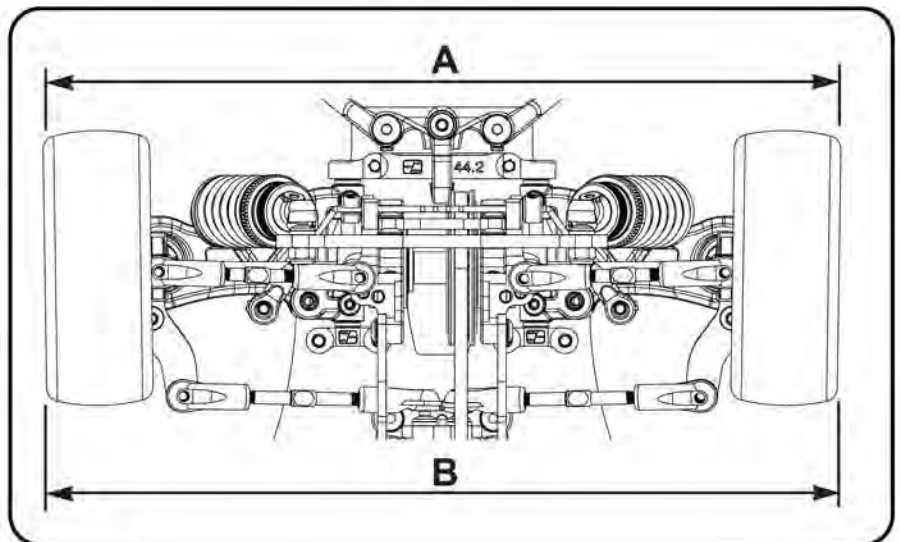
Toe-In = A less than B

Toe-Out = A greater than B

Toe-in will give a more stable car, but will give less sharp turn in.

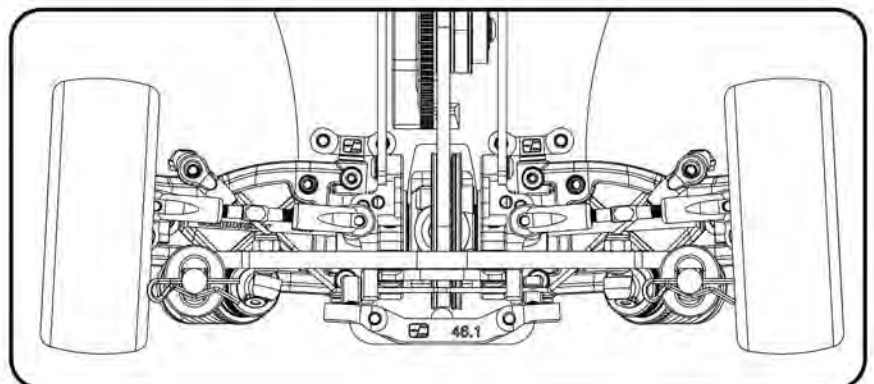
Toe-out will give the opposite, less stability with sharper turn in to the corners.

We recommend to start at about 0° or 1° toe-out.

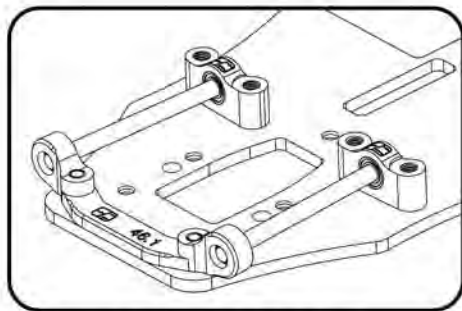


Rear Toe-in

Less rear toe-in will free up the rear of the car making it rotate more in the turn, at the expense of some rear traction. This will make the car more difficult to drive. We use less rear toe-in in high grip conditions.



Anti-Squat and Pro-Squat - Kick Up and Anti-Dive



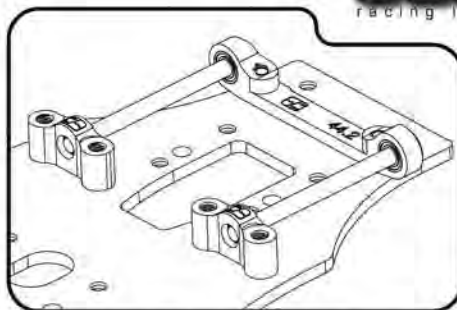
ANTI-SQUAT OR PRO-SQUAT

The best balance on the car is usually with a level wishbone pin, however a small amount of anti-squat can improve on power traction.

By adding **U4932 - Split Block Shims** underneath the front split blocks you will get anti-squat.

By adding **U4933 - Strap Shims** underneath the Rear strap you will get pro-squat.

0.5MM SHIM = 0.75° CHANGE



FRONT KICK UP OR ANTI-DIVE

The best balance on the car is usually with a level wishbone pin, however a small amount of Anti-Dive can improve stability under braking.

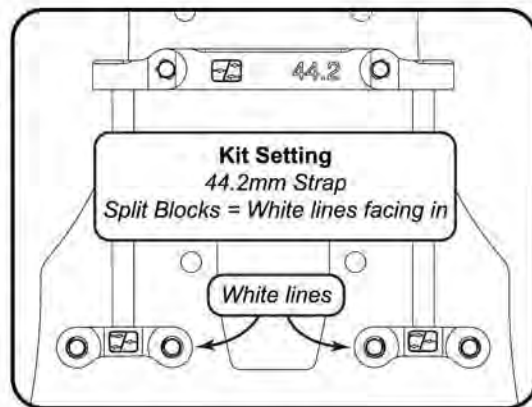
By adding **U4932 - Split Block Shims** underneath the rear split blocks you will get anti-dive.

By Adding **U4933 - Strap Shims** underneath the front strap you will get front kick up.

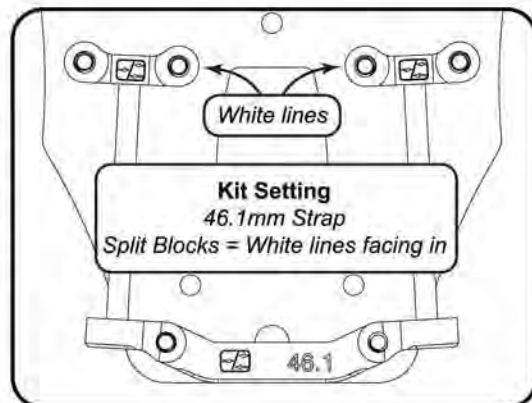
0.5MM SHIM = 0.75° CHANGE

Front & Rear Inboard Pin Options

FRONT COMBINATIONS				
Split Block	Front Strap			
		43.5mm - U4907	44.2mm (kit)	46.0mm - U4908
	White Line Out	0° - (-0.7mm track)	0.5° (Toe out)	-
	White Line In	-	0° (Kit)	-
46mm - U4894	-	-	0° - (+1.8mm track)	



REAR COMBINATIONS				
Split Block	Rear Strap			
		44.2mm - U4895	45.5mm - U4894	46.1mm (kit)
	White Line Out	2°	3°	3.5°
	White Line In	1.5°	2.5°	3° (Kit)



ELECTRIC - TOURING CARS

K161 - Kit - Mi6 - 1/10 EP Touring Kit

CHASSIS PARTS

U119 - Aerial Tube - Pack 4
 U4137 - Servo Mounts - CAT K1
 U4252 - LiPo Stop Mouldings - Mi5
 U4532 - Alloy Top Deck Spacer - Mi5evo
 U4605 - Top Deck Stiffener - Mi5evo
 U4689 - Steering Pivots Short - KF2
 U4741 - 6mm Offset Servo Horns
 U4773 - Aerial Mount - CAT K2
 U4870 - Bumper Mouldings - Mi6
 U4871 - C/F Steering, Lockstop & Rear Hub Arm (kit) - Mi6
 U4872 - Centre Track Rod Shim - Mi6 - (pk4)
 U4873 - Radius Arms - Mi6 - (pr)
 U4874 - Centre Tack Rod Assembly - Mi6
 U4884 - Steering Mount - Mi6
 U4909 - C/F Chassis - Mi6
 U4911 - C/F Topdeck (kit) 2.00mm - Mi6 - (pr)
 U4915 - C/F Front Shock Mount - Mi6
 U4917 - C/F Rear Shock Mount - Mi6
 U4918 - C/F Diff Retainer - Mi6
 U4919 - C/F Servo Mounting Plate - Mi6
 U4924 - Body Mount Mouldings - Mi6
 U4926 - Foam Bumper - Mi6
 U4941 - Manual - Mi6

BODYSHELLS AND DECALS

CR257 - Alloy Touring Car Wing Support - Black
 CR258 - Body Repair Tape - 50mm x 1Mtr
 EC13810BSI - East Coast Rear Body Supports
 EC13810W1A - East Coast Side Body Supports
 EC13810W1B - East Coast Body Stiffeners 5pcs
 EC16283129 - East Coast - Body; Evo9x 190mm
 EC162832D6 - East Coast - Body; 350Z 190mm
 EC162832D8 - East Coast - Body; RX7 190mm
 EC162832D9 - East Coast - Body; S15 190mm
 EC168M609 - East Coast Body; 2009 M-Speed 6 - 190mm
 EC168M609L - ECLight Body; 2009 M-Speed 6 - 190mm
 EC38826B - East Coast - Half Paint; Blue; Speed 6 190mm
 EC38826R - East Coast - Half Paint; Red; Speed 6 190mm
 G887 - Touring Wing Holder
 KB48072 - Light Weight Racing Body 190mm Type A, clear
 KB48074 - Light Weight Racing Body 190mm Type A, Pink
 KB48106 - Light Weight Racing Body 190mm Type A, Yellow
 KB48107 - Light Weight Racing Body 190mm Type A, Orange
 KB48108 - Light Weight Racing Body 190mm Type A, Blue
 MR-WING - MR33 Touring Wing
 MT010001 - Montech - Nazda 2 Body Touring - 190mm
 MT011002 - Montech - Nazda 3 Body Touring - 190mm
 MT012012 - Montech - Nazda 4 Body Touring - 190mm
 MT013011 - Montech - Stratos Body Touring - 190mm
 MT014003 - Montech - Evo Body Touring 190mm
 MT015013 - Montech - Silvy Body Touring
 U3478 - Decal sheet - Schumacher and Racing-Cars.Com (pk3)
 U4806 - Touring Car Wheel Arch Cutting Jig
 U4940 - Decals - Mi6
 U5119 - Touring Car Wing + 2 End Plates - Clear
 U5120 - Touring Car Wing + 2 End Plates - Black
 U5121 - Touring Car Wing + 2 End Plates - Carbon

TRANSMISSION

U2761 - Diff Shims; 10x12 (pk8)
 U3160 - 85T 48DP CNC Spur Gear - Mi4/Mi5

TRANSMISSION Cont....

U3170 - Pins and Shims; Axle - Mi4/Mi5 4pr
 U3525 - Alloy Wheel Hex - Medium - Mi4/Mi5 (pr)
 U3824 - Driveshaft; Steel Rear - Mi4CX/Mi5 (pr)
 U3834 - Driveshaft; Pivot; Pin; Screw - Mi4/Mi5/KR 1pc
 U3836 - Driveshaft; Steel Axle Rear - Mi4CX/Mi5 1pc
 U3837 - Driveshaft; Steel Bone Front - Mi4CX/Mi5 1pc
 U3838 - Driveshaft; Steel Bone Rear - Mi4CX/Mi5 1pc
 U4207 - Belt Spacer 20T - CAT K1
 U4261 - Gear Diff Bevel Gears - Mi5
 U4279 - Gear Diff Rebuild Kit - Mi5
 U4331 - Driveshaft; Steel Front - Mi5 - pr
 U4567 - Eccentrics - Mi5evo (4 pcs)
 U4577 - Alloy Wheel Hex Wide - Mi5evo (pr)
 U4612 - Eccentrics Timing Pin - Mi5evo (pr)
 U4712 - Diff O-Rings - CAT, KF, KF2, Mi5, Mi5evo
 U4730 - Steel Diff Outputs (pr) - Mi5 + evo
 U4869 - Spool Fences - Mi6 (pr)
 U4875 - Spool Pins - Mi6 - (pk4)
 U4879 - Gear Diff Pulley, Cover and Fence - Mi6
 U4881 - Transmission Housing Side B - Mi6
 U4882 - Transmission Housing Side A - Mi6
 U4883 - Motor Mount - Mi6
 U4885 - Bando 60T x 3mm Belt - Mi6
 U4886 - Bando 171T x 3mm Belt - Mi6
 U4887 - Layshaft Pulley 20T - Mi6
 U4888 - Layshaft Endcap - Mi6
 U4901 - Front Spool Spindle - Mi6
 U4923 - Alloy Layshaft - Mi6
 U4925 - Layshaft Shims - Mi6 - (pk3)
 U4928 - Assembled Spool - Mi6
 U4929 - Complete Diff - Mi6 - (pr)
 U4939 - Transmission Alignment Jig - Mi6
 U4942 - Spool Output - Mi6

SUSPENSION

U4221 - Turnbuckle Adjuster HTT - 24mm - pr
 U4223 - Turnbuckle Adjuster HTT - 45mm - pr
 U4242 - Roll Bar Socket - Mi5 - pk4
 U4256 - Front Hub Carriers V2 - Mi5 - 1pr
 U4270 - King Pin & Spacer V2 - Mi5 - pk2
 U4276 - Roll Bar Link - Mi5 - pk2
 U4298 - Turnbuckle HTT - Touring 35mm - (pr)
 U4351 - SPEED PACK - Shims 3.2x6x0.1mm - pk8
 U4541 - Pro Pin; 2.5mmx27.50mm (pr)
 U4542 - Pro Pin; 2.5mmx21.25mm (pr)
 U4547 - Ball Sockets Long Pro-Mi5evo-(pk8) Black
 U4548 - Rear Hub Carriers - Mi5evo - (1pr)
 U4549 - Micro Caster Block 4deg (kit) - Mi5evo - (pr)
 U4596 - Suspension Shim 0.1mm - Mi5evo - (8pcs)
 U4799 - Spacer 2.6 x 1.0mm - pk4
 U4876 - Front Wishbones - Mi6 - (pr)
 U4877 - Rear Wishbones - Mi6 - (pr)
 U4878 - Shock Sockets - Mi6 - (pk4)
 U4889 - LH Split Block Kit - Mi6
 U4891 - RH Split Block Kit - Mi6
 U4893 - Rear Suspension Strap Kit 46.10mm - Mi6
 U4896 - Inboard Pivot Pins - Mi6 - (pr)

SUSPENSION Cont....

- U4898 - Droop Screw - Mi6 - (pk4)
- U4899 - Wishbone Thrust Washers - Mi6 - (pk4)
- U4900 - Roll Bar Clamp - Mi6 - (pr)
- U4903 - Precision Ball Stud Ultra Short- Mi6 - (pk4)
- U4904 - Precision Ball Stud Short- Mi6 - (pk4)
- U4905 - Precision Ball Stud Long- Mi6 - (pk4)
- U4906 - Front Suspension Strap Kit 44.20mm - Mi6
- U4920 - Front Roll Bar Set - Mi6 - (5pcs)
- U4921 - Rear Roll Bar Set - Mi6 - (5pcs)

BEARINGS AND BALLS

- G200 - ZX1 - Microlube
- H1031 - Bearing Blaster Aerosol 500ml
- U1300 - Axle Grease - Pot
- U1301 - Silicone Diff Lube - Pot
- U1439 - Ball Bearing - 5x9x3 Shield - (pr)
- U1529 - Ball Bearing - 4x8x3 Shield Flanged - (pr)
- U1957 - Moly Grease - Pot
- U2148 - Ball Bearing - 5x10x4 Shield - (pr)
- U3016 - Ball Bearing - 10x15x4 - Shield (pr)
- U3075 - Ball Bearing - 4x8x3mm Red Seal - (pr)
- U3136 - Ball Bearing - 5x8x2.5 - Shield (pr)
- U4280 - Ball Bearing - 4x9x4 Shield - (pr)
- U4868 - Ball Bearing - 1/8x1/4 Red Seal - (pr)
- U4943 - Ball Bearing - 1/8x1/4 Shield - (pr)

SHOCK ABSORBERS

- RI-29000 - Ride Shock Air Remover Long + Bag
- U4284 - 3 Hole Piston - Mi5 - Pr
- U4285 - Pro Shock Seal Blue - On Road - pk8
- U4300 - Shock Seal Cap (Black) - Mi5 - 1pr
- U4306 - Spring 16Lb/in - Green - Mi5 - 1pr
- U4362 - Small Bore Diaphragm - pk4
- U4555 - Shock Rod; Steel Ti-Nitride-Mi5evo (pr)
- U4558 - Threaded Shock Collar - Mi5evo-(1pr)
- U4560 - Shock Top Ring - Mi5evo - (pr)
- U4595 - Shock Top Mouldings - Mi5evo (pr)
- U4880 - Spring Seat - Mi6 - (pr)
- U4902 - Shock Body - Mi6 - (pr)
- U4922 - Shock Rebuild Kit - M6 (set 4)
- U4927 - Assembled Shocks - Mi6 - (pr)

SPRINGS

- G896 - Spec-R Touring Spring - Soft 2.7
- G897 - Spec-R Touring Spring - Soft 2.8
- U4304 - Spring 14Lb/in - White - Mi5 - 1pr
- U4305 - Spring 15Lb/in - Blue - Mi5 - 1pr
- U4306 - Spring 16Lb/in - Green - Mi5 - 1pr
- U4307 - Spring 17Lb/in - Red - Mi5 - 1pr
- U4308 - Spring 18Lb/in - Yellow - Mi5 - 1pr
- U4309 - Spring Set - Mi5 - 5pr

SPEED SECRET - OPTION PARTS

- CR280 - Ti Pro Ball Studs - Short - pr
- CR281 - Ti Pro Ball Studs - Ultra Short - pair
- CR282 - Ti Ball Studs - Long - pair
- CR309 - Alloy Body Mount Adjuster Set - Black - pk4
- CR465 - Alloy Offset Servo Arm 23T
- CR466 - Alloy Offset Servo Arm 25T
- G868 - Spec R Gear Differential - Mi4/Mi5 Front
- G870 - SPEC-R Gear Diff Screw Set (10pcs)
- G871 - SPEC-R Gear Diff. Gasket Set (V.11)
- G873 - SPEC-R Gear Diff Housing 36T - Mi4

SPEED SECRET - OPTION PARTS Cont...

- G874 - SPEC-R 0.1mm Shims (10)
- G875 - SPEC-R Titanium Gear Diff Pins
- G921 - Roche Double Joint Driveshaft Bone -1pc
- G922 - Roche Double Joint Driveshaft Axle - 1pc
- G923 - Roche Double Joint Parts-Pins-Clips,Pivots,Barrel
- G980 - Roche Double Joint Driveshafts - Mi6 - (pr)
- RI-28022 - Ride Gear Diff Putty 45
- RI-28024 - Ride Gear Diff Putty 70
- U1572 - Titanium Turnbuckle; purple - 39mm (pr)
- U1905 - Titanium Turnbuckle; purple - 35mm (pr)
- U2053 - Titanium Turnbuckle; purple - 25mm (pr)
- U2566 - Titanium Turnbuckle - 45mm (pr)
- U2862 - Ceramic Bearing - 5x10x4 Shield - (pr)
- U2863 - Ceramic Bearing - 4x8x3 Shield Flanged - (pr)
- U2996 - Race Shock Piston - Trg 3 Hole (pr)
- U3017 - Ceramic Bearing - 10x15x4 - Shield - (pr)
- U3160 - 85T 48DP CNC Spur Gear - Mi4/Mi5
- U3161 - 87T 48DP CNC Spur Gear - Mi4/Mi5
- U3162 - 89T 48DP CNC Spur Gear - Mi4/Mi5
- U3163 - 114T 64DP CNC Spur Gear - Mi4/Mi5
- U3165 - 118T 64dp CNC Spur Gear - Mi4/Mi5
- U3247 - 70T 48DP CNC Spur Gear - Mi4/Mi5
- U3248 - 96T 64dp CNC Spur Gear - Mi4/Mi5
- U3269 - 90T 64DP CNC Spur Gear - Mi4/Mi5
- U3270 - 106T 64DP CNC Spur Gear - Mi4/Mi5
- U3386 - Ceramic Bearing - 4x8x3 Shield - (pr)
- U3387 - Ceramic Bearing - 5x9x3 Shield - (pr)
- U3560 - 74T 48DP CNC Spur Gear Mi4/Mi5
- U3570 - Alloy Wheel Hex; Slim+O ring - Mi4LP (pr)
- U3582 - Precision Balance Pivot Set
- U3833 - Driveshafts; Alloy Rear - Mi4CX/Mi5 pr
- U3840 - Driveshaft; Alloy Axle Rear - Mi4CX/Mi5 1pc
- U3841 - Driveshaft; Alloy Bone Front - Mi4CX/Mi5 1pc
- U3842 - Driveshaft; Alloy Bone Rear - Mi4CX/Mi5 1pc
- U4217 - Vented Shock Cap Service Kit-Small/Big Bore pr
- U4230 - M3 x 6mm Alloy Button Head Screws pk10
- U4231 - M3 x 8mm Alloy Button Head Screws pk10
- U4232 - M3 x 10mm Alloy Button Head Screws pk10
- U4233 - M3 x 12mm Alloy Button Head Screws pk10
- U4234 - M3 x 6mm Alloy Csk Screws pk10
- U4235 - M3 x 8mm Alloy Csk Screws pk10
- U4236 - M3 x 10mm Alloy Csk Screws pk10
- U4237 - M3 x 12mm Alloy Csk Screws pk10
- U4295 - C/F Optional Rear Hub Carrier Arm Set - Mi5 (2pr)
- U4321 - Alloy Wheel Shims 0.50 & 1.00mm - Mi5 - 8pc
- U4327 - Alloy Servo Mount Black - K1/Mi5
- U4328 - Impact Servo Saver
- U4329 - Impact Servo Saver Mouldings
- U4330 - Impact Servo Saver Springs
- U4338 - Driveshafts; Alloy Front - Mi5 pr
- U4344 - Ceramic Bearing - 5x8x2.5 Shield - (pr)
- U4361 - 64T - 48DP -CNC Spur Gear - Mi3/4/5
- U4573 - Micro Caster Block 6deg - Mi5evo - (pr)
- U4584 - Emulsion shock Rebuild kit (4pcs)
- U4596 - Suspension Shim 0.1mm - Mi5evo - (8pcs)
- U4597 - Shock Shaft Titanium-Ti Nitride-Mi5evo (pr)
- U4598 - Spur Gear CNC - 44T - 48DP - Mi4/5
- U4599 - Ti Pro Pin - 2.5mm x 27.5mm Rear (pr)

SPEED SECRET - OPTION PARTS Cont...

- U4600 - Ti Pro Pin - 2.5mm x 21.25mm Front (pr)
- U4603 - Spur Gear CNC - 80T - 48DP - Mi4/5
- U4604 - Spur Gear CNC - 59T - 64DP - Mi4/5
- U4610 - Alloy Eccentric - Mi5evo pr
- U4724 - Pro Bearing Set Caster Block - Mi5evo (4pcs)
- U4725 - Pro Ball Bearing - 5x10x4 Shield - (pr)
- U4726 - Pro Ball Bearing - 5x10x3 Shield - (pr)
- U4867 - Adjustable LiPo Mounting Set - Mi6
- U4894 - Rear Suspension Strap 45.50mm - Mi6
- U4895 - Rear Suspension Strap 44.20mm - Mi6
- U4897 - Ti Inboard Pin - Mi6 - (pr)
- U4907 - Front Suspension Strap 43.50mm - Mi6
- U4908 - Front Suspension Strap 46.00mm - Mi6
- U4910 - Alloy Chassis - Mi6
- U4912 - C/F Topdeck 2.50mm - Mi6 - (pr)
- U4913 - C/F Topdeck 3.00mm - Mi6 - (pr)
- U4914 - C/F Topdeck 4.00mm - Mi6 - (pr)
- U4916 - C/F Front Shock Mount 5th Post - Mi6
- U4930 - Blinky Motor Spacer - Mi6
- U4931 - Alloy Spring Seat - Mi6 - (pr)
- U4932 - Split Block Shims - Mi6 - (pk4)
- U4933 - Strap Shims - Mi6 - (2pcs)
- U4934 - C/F Split Block Straps - Mi6
- U4935 - Split Blocks 46mm - Mi6 - (pr)
- U4936 - Peripheral Damping Sleeve - Mi6 - (pr)
- U4937 - Peripheral Damping Piston - Mi6 - (pr)
- U4938 - Peripheral Damping Shocks - Mi6 - (pr)

SPEED PACKS

- CR024 - CORE RC - Serrated M4 Steel Wheel Nut pk4
- CR035 - CORE RC - Serrated Alloy M4 Nuts; Blue pk 4
- CR036 - CORE RC - Serrated Alloy M4 Nuts; Violet pk 4
- CR060 - Small Body Clip 1/10 - Gloss Black (8)
- CR061 - Small Body Clip 1/10 - Silver (8)
- CR062 - Small Body Clip 1/10 - Gold (8)
- CR063 - Small Body Clip 1/10 - Fluorescent Yellow (8)
- CR064 - Small Body Clip 1/10 - Fluorescent Green (8)
- CR065 - Small Body Clip 1/10 - Fluorescent Red (8)
- CR066 - Small Body Clip 1/10 - Metallic Green (8)
- CR067 - Small Body Clip 1/10 - Metallic Red (8)
- CR069 - Small Body Clip 1/10 - Metallic Purple (8)
- CR071 - Big Body Clip 1/10 - Silver (8)
- CR072 - Big Body Clip 1/10 - Gold (8)
- CR074 - Big Body Clip 1/10 - Fluorescent Green (8)
- CR076 - Big Body Clip 1/10 - Metallic Green (8)
- CR077 - Big Body Clip 1/10 - Metallic Red (8)
- CR078 - Big Body Clip 1/10 - Metallic Blue (8)
- CR079 - Big Body Clip 1/10 - Metallic Purple (8)
- CR081 - Extra Long Body Clip 1/10 - Silver (6)
- CR082 - Extra Long Body Clip 1/10 - Gold (6)
- CR083 - Extra Long Body Clip 1/10 - Fluorescent Yellow (6)
- CR084 - Extra Long Body Clip 1/10 - Fluorescent Green (6)
- CR085 - Extra Long Body Clip 1/10 - Fluorescent Red (6)
- CR086 - Extra Long Body Clip 1/10 - Metallic Green (6)
- CR087 - Extra Long Body Clip 1/10 - Metallic Red (6)
- CR088 - Extra Long Body Clip 1/10 - Metallic Blue (6)
- CR089 - Extra Long Body Clip 1/10 - Metallic Purple (6)
- CR196 - Core RC - Serrated Alloy M4 Nuts - Black - pk4
- U1544 - SPEED PACK - Short M3; Cap Hd
- U1550 - SPEED PK-Socket Wrenches-1.5/2.0/2.5/3.0mm
- U1551 - SPEED PACK - E Clips -2 x 8pcs
- U1552 - SPEED PACK - R Clips
- U1606 - SPEED PACK - Servo Tape - 30pk

SPEED PACKS Cont....

- U1633 - SPEED PACK - Small Pins (pk)
- U1960 - SPEED PACK - O Rings; Various
- U2128 - SPEED PACK - Grub-Set Screws M3 M4
- U2187 - SPEED PACK - M3 Nyloc Nut - Purple Alloy (pk8)
- U2760 - SPEED PACK - M3 Button Hd; 4 to 20
- U2988 - SPEED PACK - M3 Csk Washers - Purple Alloy (pk10)
- U3021 - SPEED PACK - M3x6 Csk Allen Hi-T
- U3022 - SPEED PACK - M3x8 Csk Allen Hi-T
- U3023 - SPEED PACK - M3x10 Csk Allen Hi-T
- U3024 - SPEED PACK - M3x12 Csk - M3 x 10 Button Screws
- U3168 - SPEED PACK - M2.5/M2.6 Screws
- U3754 - SPEED PACK - M2.5x10 Csk Hd pk8
- U4155 - SPEED PACK - M3 Csk Washers - Black Alloy (pk10)
- U4210 - SPEED PACK - Pinion Grub Screw Set pk10
- U4241 - SPEED PACK - M3 Alloy Nyloc Nuts - Black - pk10
- U4314 - SPEED PACK - Alloy Black M3 Washers - 18pc
- U4351 - SPEED PACK - Shims 3.2x6x0.1mm - pk8
- U4652 - SPEED PACK M3x2.5 Grub Screws (10pcs)
- U4835 - SPEED PACK M3 Steel Nut Black (pk8)

SHOCK AND DIFF OIL

- CR200 - CORE RC Silicone Oil - 100cSt - 60ml
- CR201 - CORE RC Silicone Oil - 150cSt - 60ml
- CR202 - CORE RC Silicone Oil - 200cSt - 60ml
- CR203 - CORE RC Silicone Oil - 250cSt - 60ml
- CR204 - CORE RC Silicone Oil - 300cSt - 60ml
- CR205 - CORE RC Silicone Oil - 350cSt - 60ml
- CR206 - CORE RC Silicone Oil - 400cSt - 60ml
- CR207 - CORE RC Silicone Oil - 450cSt - 60ml
- CR208 - CORE RC Silicone Oil - 500cSt - 60ml
- CR209 - CORE RC Silicone Oil - 550cSt - 60ml
- CR210 - CORE RC Silicone Oil - 600cSt - 60ml
- CR211 - CORE RC Silicone Oil - 700cSt - 60ml
- CR212 - CORE RC Silicone Oil - 800cSt - 60ml
- CR213 - CORE RC Silicone Oil - 900cSt - 60ml
- CR214 - CORE RC Silicone Oil - 1000cSt - 60ml
- CR215 - CORE RC Silicone Oil - 1300cSt - 60ml
- CR216 - CORE RC Silicone Oil - 2000cSt - 60ml
- CR217 - CORE RC Silicone Oil - 3000cSt - 60ml
- CR218 - CORE RC Silicone Oil - 4000cSt - 60ml
- CR219 - CORE RC Silicone Oil - 5000cSt - 60ml
- CR220 - CORE RC Silicone Oil - 6000cSt - 60ml
- CR221 - CORE RC Silicone Oil - 7000cSt - 60ml
- CR222 - CORE RC Silicone Oil - 10000cSt - 60ml
- CR223 - CORE RC Silicone Oil - 20000cSt - 60ml
- CR224 - CORE RC Silicone Oil - 30000cSt - 60ml
- CR225 - CORE RC Silicone Oil - 40000cSt - 60ml
- CR226 - CORE RC Silicone Oil - 50000cSt - 60ml
- CR227 - CORE RC Silicone Oil - 100000cSt - 60ml
- CR228 - CORE RC Silicone Oil - 300000cSt - 60ml
- CR229 - CORE RC Silicone Oil - 12000cSt - 60ml
- CR230 - CORE RC Silicone Oil - 15000cSt - 60ml

PINIONS

- CR4815 - Pinion Gear 48DP 15T (7075 Hard)
- CR4816 - Pinion Gear 48DP 16T (7075 Hard)
- CR4817 - Pinion Gear 48DP 17T (7075 Hard)
- CR4818 - Pinion Gear 48DP 18T (7075 Hard)
- CR4819 - Pinion Gear 48DP 19T (7075 Hard)

PINIONS Cont....

CR4820 - Pinion Gear 48DP 20T (7075 Hard)
 CR4821 - Pinion Gear 48DP 21T (7075 Hard)
 CR4822 - Pinion Gear 48DP 22T (7075 Hard)
 CR4823 - Pinion Gear 48DP 23T (7075 Hard)
 CR4824 - Pinion Gear 48DP 24T (7075 Hard)
 CR4825 - Pinion Gear 48DP 25T (7075 Hard)
 CR4826 - Pinion Gear 48DP 26T (7075 Hard)
 CR4827 - Pinion Gear 48DP 27T (7075 Hard)
 CR4828 - Pinion Gear 48DP 28T (7075 Hard)
 CR4829 - Pinion Gear 48DP 29T (7075 Hard)
 CR4830 - Pinion Gear 48DP 30T (7075 Hard)
 CR4831 - Pinion Gear 48DP 31T (7075 Hard)
 CR4832 - Pinion Gear 48DP 32T (7075 Hard)
 CR4833 - Pinion Gear 48DP 33T (7075 Hard)
 CR4834 - Pinion Gear 48DP 34T (7075 Hard)
 CR4835 - Pinion Gear 48DP 35T (7075 Hard)
 CR4836 - Pinion Gear 48DP 36T (7075 Hard)
 CR4837 - Pinion Gear 48DP 37T (7075 Hard)
 CR4838 - Pinion Gear 48DP 38T (7075 Hard)
 CR4839 - Pinion Gear 48DP 39T (7075 Hard)
 CR4840 - Pinion Gear 48DP 40T (7075 Hard)
 CR4841 - Pinion Gear 48DP 41T (7075 Hard)
 CR4842 - Pinion Gear 48DP 42T (7075 Hard)
 CR4843 - Pinion Gear 48DP 43T (7075 Hard)
 CR4844 - Pinion Gear 48DP 44T (7075 Hard)
 CR4845 - Pinion Gear 48DP 45T (7075 Hard)
 CR4846 - Pinion Gear 48DP 46T (7075 Hard)
 CR6418 - Pinion Gear 64DP 18T (7075 Hard)
 CR6419 - Pinion Gear 64DP 19T (7075 Hard)
 CR6420 - Pinion Gear 64DP 20T (7075 Hard)
 CR6421 - Pinion Gear 64DP 21T (7075 Hard)
 CR6422 - Pinion Gear 64DP 22T (7075 Hard)
 CR6423 - Pinion Gear 64DP 23T (7075 Hard)
 CR6424 - Pinion Gear 64DP 24T (7075 Hard)
 CR6425 - Pinion Gear 64DP 25T (7075 Hard)
 CR6426 - Pinion Gear 64DP 26T (7075 Hard)
 CR6427 - Pinion Gear 64DP 27T (7075 Hard)
 CR6428 - Pinion Gear 64DP 28T (7075 Hard)
 CR6429 - Pinion Gear 64DP 29T (7075 Hard)
 CR6430 - Pinion Gear 64DP 30T (7075 Hard)
 CR6431 - Pinion Gear 64DP 31T (7075 Hard)
 CR6432 - Pinion Gear 64DP 32T (7075 Hard)
 CR6433 - Pinion Gear 64DP 33T (7075 Hard)
 CR6434 - Pinion Gear 64DP 34T (7075 Hard)
 CR6435 - Pinion Gear 64DP 35T (7075 Hard)
 CR6436 - Pinion Gear 64DP 36T (7075 Hard)
 CR6437 - Pinion Gear 64DP 37T (7075 Hard)
 CR6438 - Pinion Gear 64DP 38T (7075 Hard)
 CR6439 - Pinion Gear 64DP 39T (7075 Hard)
 CR6440 - Pinion Gear 64DP 40T (7075 Hard)
 CR6441 - Pinion Gear 64DP 41T (7075 Hard)
 CR6442 - Pinion Gear 64DP 42T (7075 Hard)
 CR6443 - Pinion Gear 64DP 43T (7075 Hard)
 CR6444 - Pinion Gear 64DP 44T (7075 Hard)
 CR6445 - Pinion Gear 64DP 45T (7075 Hard)
 CR6446 - Pinion Gear 64DP 46T (7075 Hard)
 CR6447 - Pinion Gear 64DP 47T (7075 Hard)
 CR6448 - Pinion Gear 64DP 48T (7075 Hard)
 CR6449 - Pinion Gear 64DP 49T (7075 Hard)
 CR6450 - Pinion Gear 64DP 50T (7075 Hard)
 CR6451 - Pinion Gear 64DP 51T (7075 Hard)
 CR6452 - Pinion Gear 64DP 52T (7075 Hard)
 CR6453 - Pinion Gear 64DP 53T (7075 Hard)
 CR6454 - Pinion Gear 64DP 54T (7075 Hard)

PINIONS Cont....

CR6455 - Pinion Gear 64DP 55T (7075 Hard)
 CR6456 - Pinion Gear 64DP 56T (7075 Hard)
 CR6457 - Pinion Gear 64DP 57T (7075 Hard)
 CR6458 - Pinion Gear 64DP 58T (7075 Hard)
 CR6459 - Pinion Gear 64DP 59T (7075 Hard)
 CR6460 - Pinion Gear 64DP 60T (7075 Hard)
 CR6461 - Pinion Gear 64DP 61T (7075 Hard)
 CR6462 - Pinion Gear 64DP 62T (7075 Hard)
 CR6463 - Pinion Gear 64DP 63T (7075 Hard)
 U3414 - Pinion; Hard Alloy 48dp - 14T
 U3415 - Pinion; Hard Alloy 48dp - 15T
 U3416 - Pinion; Hard Alloy 48dp - 16T
 U3417 - Pinion; Hard Alloy 48dp - 17T
 U3418 - Pinion; Hard Alloy 48dp - 18T
 U3419 - Pinion; Hard Alloy 48dp - 19T
 U3420 - Pinion; Hard Alloy 48dp - 20T
 U3421 - Pinion; Hard Alloy 48dp - 21T
 U3422 - Pinion; Hard Alloy 48dp - 22T
 U3423 - Pinion; Hard Alloy 48dp - 23T
 U3424 - Pinion; Hard Alloy 48dp - 24T
 U3425 - Pinion; Hard Alloy 48dp - 25T
 U3426 - Pinion; Hard Alloy 48dp - 26T
 U3427 - Pinion; Hard Alloy 48dp - 27T
 U3428 - Pinion; Hard Alloy 48dp - 28T
 U3429 - Pinion; Hard Alloy 48dp - 29T
 U3430 - Pinion; Hard Alloy 48dp - 30T
 U3431 - Pinion; Hard Alloy 48dp - 31T
 U3432 - Pinion; Hard Alloy 48dp - 32T
 U3433 - Pinion; Hard Alloy 48dp - 33T
 U3434 - Pinion; Hard Alloy 48dp - 34T
 U3435 - Pinion; Hard Alloy 48dp - 35T
 U3436 - Pinion; Hard Alloy 48dp - 36T
 U3437 - Pinion; Hard Alloy 48dp - 37T
 U3438 - Pinion; Hard Alloy 48dp - 38T
 U3439 - Pinion; Hard alloy 48dp - 39T
 U3440 - Pinion; Hard Alloy 48dp - 40T
 U3619 - Pinion; Hard Alloy 64dp - 19T
 U3620 - Pinion; Hard Alloy 64dp - 20T
 U3621 - Pinion; Hard Alloy 64dp - 21T
 U3622 - Pinion; Hard Alloy 64dp - 22T
 U3623 - Pinion; Hard Alloy 64dp - 23T
 U3624 - Pinion; Hard Alloy 64dp - 24T
 U3625 - Pinion; Hard Alloy 64dp - 25T
 U3626 - Pinion; Hard Alloy 64dp - 26T
 U3627 - Pinion; Hard Alloy 64dp - 27T
 U3628 - Pinion; Hard Alloy 64dp - 28T
 U3629 - Pinion; Hard Alloy 64dp - 29T
 U3630 - Pinion; Hard Alloy 64dp - 30T
 U3631 - Pinion; Hard Alloy 64dp - 31T
 U3632 - Pinion; Hard Alloy 64dp - 32T
 U3633 - Pinion; Hard Alloy 64dp - 33T
 U3634 - Pinion; Hard Alloy 64dp - 34T
 U3635 - Pinion; Hard Alloy 64dp - 35T
 U3636 - Pinion; Hard Alloy 64dp - 36T
 U3637 - Pinion; Hard Alloy 64dp - 37T
 U3638 - Pinion; Hard Alloy 64dp - 38T
 U3639 - Pinion; Hard Alloy 64dp - 39T
 U3640 - Pinion; Hard Alloy 64dp - 40T

PINIONS Cont....

U3641 - Pinion; Hard Alloy 64dp - 41T
U3642 - Pinion; Hard Alloy 64dp - 42T
U3643 - Pinion; Hard Alloy 64dp - 43T
U3644 - Pinion; Hard Alloy 64dp - 44T
U3645 - Pinion; Hard Alloy 64dp - 45T
U3646 - Pinion; Hard Alloy 64dp - 46T
U3648 - Pinion; Hard Alloy 64dp - 48T
U3650 - Pinion; Hard Alloy 64dp - 50T
U4441 - Pinion; Hard Alloy 48dp - 41T
U4442 - Pinion; Hard Alloy 48dp - 42T
U4443 - Pinion; Hard Alloy 48dp - 43T
U4444 - Pinion; Hard Alloy 48dp - 44T
U4445 - Pinion; Hard Alloy 48dp - 45T

TYRE ADDITIVE

C180101 - CS Competition Grip Additive
C6400 - CS High Grip Additive
C6431 - CS Tire Clean Fix
C6440 - CS Tire MAX Grip
C6460 - CS Speed Grip Carpet
CR489 - Tyre Traction Bottle (3pcs)
G862 - Kimwipes S-200 - Tyre Warmer Tissue
MR0001 - Marc Rheinard Outdoor Additive
NR96010 - NOSRAM Traction additive carpet
NR96020 - NOSRAM Traction additive asphalt
SXT00030 - SXT 3.0 Traction Compound
SXT2 - SXT 2.0 Traction Compound

TYRE WARMERS

CMMMMTW4 - CS Tyre Warmer Cups
CR289 - CORE RC Tyre Warmer Set
SK-600064-01 - SKY RC Tyre Warmers

TEAM MERCHANDISE

CR298 - CORE RC Hauler Bag
ED199206 - EDS Pit Towel 110 x 70cm
G355 - Schumacher Hauler Bag
G356 - Handle for Hauler Bag
G357 - Small Draw for Hauler Bag
G358 - Medium Draw for Hauler Bag
G359 - Large Draw for Hauler Bag
NR96398 - Nosram Pit Towel 2

ELECTRONICS

CR151 - CODE 2.4G FHSS LCD 2 Stick TxRx
CR152 - CODE 2.4G FHSS LCD - Rx Only
CR153 - CODE 2.4G FHSS Sport 2 Stick TxRx
CR154 - CODE 2.4G FHSS Sport - Rx Only
CR155 - Antenna 2.4G
CR162 - CORE RC Sensor Checking Widget
CR195 - Portable Emergency 60W Soldering Iron
CR249 - Futaba Servo Wires Black
CR250 - JR Servo Wires Black
CR277 - Code 2.4G FHSS Steerwheel Radio TxRx
CR278 - Code 2.4G FHSS - Rx Only
CR498 - Battery Holder - Code Stick Transmitter
ED199502 - EDS Ultra Bright L.E.D. Light Stand
MR33-GOLD2 - 4mm Gold Connectors pk 4
SK-500015 - Corner Weight System
SK-600072 - Tyre Sander

SERVOs

CR495 - CORE RC - 9009LP Low Profile Servo 8Kg .09 Sec
HSDLP650 - Servo (Low Pro) - SSR 1/10 .07s 7.1kg

SERVOs Cont...

KO30104 - Servo - RSx one 10 low profile - .10 - 10Kg
KO30105 - Servo - RSx one 10 Response Low Profile-.09-7K
KO30205 - Servo - BSx2 one 10 Response - .09 - 10.5Kg
KO30206 - Servo - BS2 one 10 Response - .12 - 15.2Kg
HSDLP750 - Servo (Low Pro) 1/10 .10s 11.8kg

CHARGERS AND DISCHARGERS

CR161 - UAC50 Charger 12v/110-240v 6A
CR492 - LAC20 - 1S-4S 20W AC Charger
NR91400 - Sigma Power Charger
NR91555 - Stealth Touch Evolution Charger
NR93160 - Nosram Power Supply 13.8V / 20A
SK-100046 - Sky-RC Quattro B6 Charger 80Wx4 DC
SK-100064 - T6755 Charger 7A 55W AC/DC Touch Screen
SK-100068-01 - SKY RC 6 x 80+ Charger Blue Version
SK-100072 - T6200 Charger 12A 200W DC Touch Screen
SK-100078-01 - SKY RC RS16 - 180W 16A DC Charger
SK-100084 - Imax B6 Mini Charger 6A 60W DC
SK-100087 - Ultimate Duo Charger 700Wx2 - 30A DC
SK-100089 - D100 Dual Charger 100W AC or 2x100w DC - 10A
SK-100097 - D200 AC/DC Dual Charger 200W 20A + soldering iron
SK-100106 - S60 AC Charger 60W 6A
SK-200013-01 - eFuel 30A 540W Power Supply
SK-200015 - eFuel 50A 1200W Power Supply
SK-200017-01 - SKY RC 17A Power Supply (UK Plug)
TP205V - Thunder Power 2-5 Cell Lipo Smart Balancer
TP610C - Thunder Power 10 Amp DC Balance Charger
TP610C-ACDC - Thunder Power 10 Amp AC/DC Balance Charger
TP820CD - Dual Port 20A DC charger/Cycler

BRUSHLESS MOTORS

HW30401100 - XERUN-V10-3.5T-1/10 Sensored BL Motor Black G2
HW30401101 - XERUN-V10-4.5T-1/10 Sensored BL Motor Black G2
HW30401102 - XERUN-V10-5.5T-1/10 Sensored BL Motor Black G2
HW30401103 - XERUN-V10-6.5T-1/10 Sensored BL Motor Black G2
HW30401106 - XERUN-V10-10.5T-1/10 Sensored BL Motor Black G2
HW30401107 - XERUN-V10-13.5T-1/10 Sensored BL Motor Black G2
HW30401108 - XERON-V10-17.5T-1/10 Sensored BL Motor Black G2
HW30401109 - XERUN-V10-21.5T-1/10 Sensored BL Motor Black G2
HW30404110001 - QUICRUN-3650-10.5T-Sensored 1/10 BL Motor
HW30404110002 - QUICRUN-3650-13.5T-Sensored 1/10 BL Motor
HW30404110003 - QUICRUN-3650-17.5T-Sensored 1/10 BL Motor
HW30408000 - Juststock - 1/10 Sensored BL Motor - 10.5T
HW30408001 - Juststock - 1/10 Sensored BL Motor - 13.5T
HW30408002 - Juststock - 1/10 Sensored BL Motor - 17.5T
HW30408003 - Juststock - 1/10 Sensored BL Motor - 21.5T
HW90040060 - XERUN-1/10 Sensored BL Motor 8.5T
HW90040090 - XERUN-1/10 Sensored BL Motor 10.5T
HW90040100 - XERUN-1/10 Sensored BL Motor 11.5T
HW90040120 - XERUN-1/10 Sensored BL Motor 13.5T
HW90040140 - XERUN-1/10 Sensored BL Motor 17.5T
HW90040150 - XERUN-1/10 Sensored BL Motor 21.5T
HW90040160 - XERUN-1/10 Sensored BL Motor 5.5T
HW90040170 - XERUN-1/10 Sensored BL Motor 6.5T
NR90648 - Nosram Pure 2 BL - 10.5T
NR90649 - Nosram Pure 2 BL - 9.5T
NR90664 - Nosram Pure 2 BL - 7.5T
NR90684 - Nosram Pure 2 BL - 5.5T
NR90689 - Nosram Pure 2 BL - 5.0T
NR90694 - Nosram Pure 2 BL - 4.5T

BRUSHLESS MOTORS Cont....

NR90704 - Nosram Pure 2 BL - 4.0T
 NR91831 - PURE Evo Stock 10.5T
 NR91834 - Nosram Pure 2 BL - Spec Racing Motor - 10.5T
 NR91844 - Nosram Pure 2 BL Spec Racing Motor - 13.5T
 NR91854 - Nosram Pure 2 BL Spec Racing Motor - 17.5T
 SK-400003-21 - ARES Pro BL Motor 3.5T
 SK-400003-22 - ARES Pro BL Motor 4.5T
 SK-400003-23 - ARES Pro BL Motor 5.5T
 SK-400003-31 - ARES Pro BL Motor 17.5T Spec
 SK-400003-32 - ARES Pro BL Motor 21.5T Spec
 SK-400003-33 - ARES Pro BL Motor 10.5T Spec
 SK-400003-34 - ARES Pro BL Motor 13.5T Spec
 SP000035 - 1/10 Competition MMM Series 3.5R BL Motor
 SP000036 - 1/10 Competition MMM Series 4.5R BL Motor
 SP000037 - 1/10 Competition MMM Series 10.5R BL Motor
 SP000038 - 1/10 Competition MMM Series 13.5R BL Motor
 SP000039 - 1/10 Competition MMM Series 17.5R BL Motor
 SP000040 - 1/10 Competition MMM Series 21.5R BL Motor
 SP000148 - 1/10 Competition MMM Series 5.0R BL Motor
 SP000149 - 1/10 Competition MMM Series 5.5R BL Motor
 SP000151 - 1/10 Competition MMM Series 4.0R BL Motor
 SP001220 - Speed Passion Comp V4.0 Motor 3.5T
 SP001222 - Speed Passion Comp V4.0 Motor 4.5T
 SP001230 - Speed Passion Comp V4.0 Motor 10.5T
 SP001231 - Speed Passion Comp V4.0 Motor 13.5T
 SP001232 - Speed Passion Comp V4.0 Motor 17.5T
 SP001233 - Speed Passion Comp V4.0 Motor 21.5T
 SP138105V3 - Speed Passion V3.0 Comp BL Motor; 10.5T
 SP138135V3 - Speed Passion V3.0 Comp BL Motor; 13.5T
 SP138175V3 - Speed Passion V3.0 Comp BL Motor; 17.5T
 SP13835V3 - Speed Passion V3.0 Comp BL Motor; 3.5T
 SP13840V3 - Speed Passion V3.0 Comp BL Motor; 4.0T
 SP13845V3 - Speed Passion V3.0 Comp BL Motor; 4.5T
 TPM-540A030 - Thunder Power 3.0T Modified 540 BL Motor
 TPM-540A035 - Thunder Power 3.5T Modified 540 BL Motor
 TPM-540A040 - Thunder Power 4.0T Modified 540 BL Motor
 TPM-540A045 - Thunder Power 4.5T Modified 540 BL Motor
 TPM-540A050 - Thunder Power 5.0T Modified 540 BL Motor
 TPM-540A055 - Thunder Power 5.5T Modified 540 BL Motor
 TPM-540A060 - Thunder Power 6.0T Modified 540 BL Motor
 TPM-540A065 - Thunder Power 6.5T Modified 540 BL Motor
 TPM-540A075 - Thunder Power 7.5T Modified 540 BL Motor
 TPM-540A085 - Thunder Power 8.5T Modified 540 BL Motor
 TPM-540A095 - Thunder Power 9.5T Modified 540 BL Motor
 TPM-540A105 - Thunder Power 10.5T Stock Spec 540 BL Motor
 TPM-540A135 - Thunder Power 13.5T Stock Spec 540 BL Motor
 TPM-540A175 - Thunder Power 17.5T Stock Spec 540 BL Motor
 TPM-540A215 - Thunder Power 21.5T Stock Spec 540 BL Motor

BRUSHLESS ACCESSORIES

CR133 - Core Sensor Lead; 80mm
 CR134 - Core Sensor Lead; 180mm
 CR251 - Freeze Cooling Fan 40 x 40mm
 CR252 - 90mm Flat Bonded Flex Sensor Wire
 CR253 - 110mm Flat Bonded Flex Sensor Wire
 CR254 - 150mm Flat Bonded Flex Sensor Wire
 CR255 - 200mm Flat Bonded Flex Sensor Wire
 CR256 - 270mm Flat Bonded Flex Sensor Wire
 HW2360800 - XERUN - Sensor Cable - 80mm
 HW2361200 - XERUN - Sensor Cable - 120mm
 HW30502000014 - XERUN-EZRUN-Multifunction LCD Program Box
 HW30860200010 - XERUN 13000rpm Fan-2510SH-5v/0.16A for 2s
 HW86020010 - XERUN-EZRUN - Program Card for ESC
 HW86030030 - XERUN - Capacitors

BRUSHLESS ACCESSORIES Cont...

HW86080120 - EZRUN - Heat Sink with Fan for 3660,3674 motors
 HW86080130 - EZRUN - Heat Sink with Fan for 4465 motors
 HW86080150 - XERUN Large Fan 3010HB-5V/0.18A for 2s
 MR33-MH - Motor Heat Sink
 NR90617 - Storm Evo Xtreme cool fr cover; thin
 NR90619 - Storm Evo BL Small parts set
 NR90643 - PURE Evo Stock Sintered Rotor
 NR90644 - PURE Evo Tuning Sintered Rotor - 12.0mm
 NR92501 - USB Bridge Spec2 - Speedo Firmware Update Device
 NR92512 - Cooling Fan; Low Profile - Include Mounting Screws
 NR92515 - Nosram Motor Fan (30x30) + Alum Mnt Clamp
 NR925307 - NOSRAM Sensor Wire HighFlex 70mm
 NR92531 - Pearl Power Capacitor 6-7.4v
 NR925315 - NOSRAM Sensor Wire HighFlex 150mm
 NR925320 - NOSRAM Sensor Wire HighFlex 200mm
 NR92591 - NOSRAM Hardcore Motor Cooler
 SK-300046-01 - Program Box
 SP000007 - Muti LED Program Card Version 2.0
 SP000008 - Reventon Blue-Tooth" Module"
 SP000029 - Sensor Unit +20 Timing"for V3.0 Motor-Green Color"
 SP000034 - Sensor Unit +10 Timing" for V3.0 Motor-Red Color"
 SP000041 - Sensor Unit for V3.0 - 4.0T/5.0T Motor
 SP000059 - Sensor Unit +40 Timing for V3.0 Motor Blue
 SP001130 - Reventon PRO 1.1 Fan
 SP13835ER1 - SP Rotor 3.5T; Euro R Hi Power 12.5mm
 SP138MS105 - 10.5R Stator for Competition Version 3.0 Motor
 SP138MS135 - 13.5R Stator for Competition Version 3.0 Motor
 SP138MS215 - 21.5R Stator for Competition Version 3.0 Motor
 SP162801 - SP - Sensor Cable 180mm
 SP162802 - SP - Sensor Cable 90mm
 SP162810 - SP - HiPower Solder Post; 3pcs
 SP162820 - SP - HiPower Connector; V3.0 Motors 3pcs
 SP1EB01 - SP Endbell; Fixed Timing V3.0
 SPAMSSC3M - SP - Super Capacitor 3 Farads 6 Volt rated
 SPSB428 - Sensor unit with Team protect for V3.0 motor
 TPM-P1000 - Thunder Power Bearing Replacement Tool
 TPM-P1001 - T-Power Bearing Std 1/8x3/8x5/32 (2pcs) S/M 540"
 TPM-P1002 - T-Power Bearing Ceramic 1/8x3/8x5/32 (2pcs)S/M540"
 TPM-P1005 - Thunder Power Sensor Unit w/Std Bearing S/M540/550
 TPM-P1007 - Thunder Power Outer Can/Case w/Screws S/M 540
 TPM-P1008 - Thunder Power Timing Cap w/Screws S/M540/550
 TPM-P1010 - Thunder Power Senser Wire Harness 110mm
 TPM-P1011 - Thunder Power Sensor Wire Harness 200mm
 TPM-P1012 - Thunder Power Sensor Wire Harness 270mm
 TPM-P1014 - Thunder Power Insulator Set (Fr/Rr) S/M 540/550
 TPM-R540AHT - Stock Spec 540 Hi-Torque Rotor 12.5/7.25/25.0 Grm
 TPM-R540AMR - Thunder Power Mod 540 Rotor 12.2/5.2/25.0 Purple
 TPM-R540AMR-S - Thunder Power Mod 540 Rotor 12.0/5.0/25.3 Gold
 TPM-R540ASR - T-Power Stock Spec 540 Rotor 12.2/7.25/24.2 Red
 TPM-R540AST - T-Power StockSpec Torque Rotor 12.2/7.25/25.0 Blue
 TPM-S540A030 - Thunder Power 3.0T Modified 540 Stator
 TPM-S540A035 - Thunder Power 3.5T Modified 540 Stator
 TPM-S540A040 - Thunder Power 4.0T Modified 540 Stator
 TPM-S540A045 - Thunder Power 4.5T Modified 540 Stator
 TPM-S540A050 - Thunder Power 5.0T Modified 540 Stator
 TPM-S540A055 - Thunder Power 5.5T Modified 540 Stator
 TPM-S540A060 - Thunder Power 6.0T Modified 540 Stator
 TPM-S540A065 - Thunder Power 6.5T Modified 540 Stator
 TPM-S540A075 - Thunder Power 7.5T Modified 540 Stator
 TPM-S540A085 - Thunder Power 8.5T Modified 540 Stator

BRUSHLESS ACCESSORIES Cont...

TPM-S540A095 - Thunder Power 9.5T Modified 540 Stator
 TPM-S540A105 - Thunder Power 10.5T Stock Spec 540 Stator
 TPM-S540A135 - Thunder Power 13.5T Stock Spec 540 Stator
 TPM-S540A175 - Thunder Power 17.5T Stock Spec 540 Stator
 TPM-S540A215 - Thunder Power 21.5T Stock Spec 540 Stator

BRUSHLESS ESC and MOTOR COMBO

HW81030050 - EZRUN Combo B4 - 5.5t 6000kV+ EZRun 60A SL
 HW81030060 - EZRUN Combo B5 - 8.5t 4000kV+ EZRun 60A SL
 HW81030150 - EZRUN Combo B6 - 9t 4300kV + EZRun 60A SL
 SP000193 - Reventon-R ESC-2S-Comp V3.0-10.5R Combo
 SP000194 - Reventon-R ESC-2S-Comp V3.0-13.5R Combo
 SP000195 - Reventon-R ESC-2S-Comp V3.0-17.5R Combo
 SP000200 - Reventon Stock Club Race 10.5 Combo Comp V3 Motor
 SP000201 - Reventon Stock Club Race 13.5 Combo Comp V3 Motor
 SP000202 - Reventon Stock Club Race 17.5 Combo Comp V3 Motor
 SP000203 - Reventon Stock Club Race 21.5 Combo Comp V3 Motor
 SP000208 - Reventon Stk Clb Rce 13.5R Combo V3 Fix Tmng Motor
 SP000209 - Reventon Stk Clb Rce 17.5 Combo V3 Fix Tmng Motor
 SP001028 - Reventon Pro V1.1 ESC Comp V3.0-3.5R Combo
 SP001029 - Reventon Pro V1.1 ESC Comp V3.0-4.0R Combo
 SP001030 - Reventon Pro V1.1 ESC Comp V3.0-4.5R Combo
 SP001031 - Reventon Pro V1.1 ESC Comp V3.0-5.0R Combo
 SP001032 - Reventon Pro V1.1 ESC Comp V3.0-5.5R Combo
 SP001033 - Reventon Pro V1.1 ESC Comp V3.0-6.0R Combo
 SP001034 - Reventon Pro V1.1 ESC Comp V3.0-6.5R Combo
 SP001035 - Reventon Pro V1.1 ESC Comp V3.0-7.5R Combo
 SP001036 - Reventon Pro V1.1 ESC Comp V3.0-8.5R Combo
 SP001037 - Reventon Pro V1.1 ESC Comp V3.0-9.5R Combo
 SP001038 - Reventon Pro V1.1 ESC Comp V3.0-10.5R Combo
 SP001039 - Reventon Pro V1.1 ESC Comp V3.0-13.5R Combo
 SP001040 - Reventon Pro V1.1 ESC Comp V3.0-17.5R Combo
 SP001041 - Reventon Pro V1.1 ESC Comp V3.0-21.5R Combo
 SP001141 - Reventon Pro V1.1 ESC MMM 3.5R Combo
 SP001142 - Reventon Pro V1.1 ESC MMM 4.0R Combo
 SP001143 - Reventon Pro V1.1 ESC MMM 4.5R Combo
 SP001144 - Reventon Pro V1.1 ESC MMM 5.0R Combo
 SP001145 - Reventon Pro V1.1 ESC MMM 5.5R Combo
 SP001146 - Reventon Pro V1.1 ESC MMM 10.5R Combo
 SP001147 - Reventon Pro V1.1 ESC MMM 13.5R Combo
 SP001148 - Reventon Pro V1.1 ESC MMM 17.5R Combo
 SP001149 - Reventon Pro V1.1 ESC MMM 21.5R Combo

BRUSHLESS SPEEDCONTROLS

HW30112000 - XERUN - XR10 - Juststock ESC - Black
 HW30112101001 - XERUN - V3.1 Stock Spec-Black BL ESC 100A
 HW30112121072 - XERUN - V3.1 - Waterproof ESC 120A
 HW81020000 - JUSTOCK - Club Spec BL ESC - Blue - 45A
 HW81020170 - XERUN - V2.1 - BL ESC-120A - Blue
 HW81020340 - XERUN-V3.1 BL-ESC-Blue 120A
 HW81020350 - XERUN-V3.1 BL-ESC-Black 120A
 HW81020360 - XERUN-V3.1 BL-ESC-Red 120A
 NR90960 - Comet EVO Brushless Speed Control
 NR90970 - Comet HD Brushless Speed Control
 SK-300044-01 - Toro TS 120A ESC
 SK-300062-02 - Toro TS 120A Alloy ESC - Black
 SK-300064-01 - Toro TS 160 ESC
 SP000010 - Reventon-S ESC - 2S - Blue
 SP000048 - Reventon Stock Club Race ESC Black
 SP000060 - Reventon-S ESC - 2S - Orange
 SP000061 - Reventon-S ESC - 2S - Black
 SP000062 - Reventon-S ESC - 2S - Silver
 SP000063 - Reventon-R ESC - 2S - Blue
 SP000064 - Reventon-R ESC - 2S - Silver

BRUSHLESS SPEEDCONTROLS Cont...

SP000739 - Reventon Pro ESC-2S - V1.1 Black
 SP000740 - Reventon Pro ESC-2S - V1.1 - Laser Blue

BATTERIES

AM199502 - Lipo Safe Bag (185 x 75 x 60mm)
 CR005 - CORE RC Battery Tape - Black
 CR006 - CORE RC Battery Tape - Blue
 CR007 - CORE RC Silicone Wire 12g - Red/Black 2x50cm
 CR008 - CORE RC RED Connector with 2x4mm Tubes
 CR009 - CORE RC RED Connector with 2x4mm Males
 CR037 - CORE RC - Battery Tape - Purple
 CR050 - CORE RC Silicone Wire 12g - Red 1 Metre
 CR051 - CORE RC Silicone Wire 12g - Black 1 Metre
 CR052 - CORE RC Silicone Wire 12g - Blue 1 Metre
 CR053 - CORE RC Silicone Wire 12g - Red 50 Metre Reel
 CR054 - CORE RC Silicone Wire 12g - Black 50 Metre Reel
 CR055 - CORE RC Silicone Wire 12g - Blue 50 Metre Reel
 CR056 - Balance Charge Lead; JST-XHR to 2mm Male 7.4v
 CR059 - CORE RC - Safe Charge Pouch 23x30cm
 CR115 - CORE RC Silicone Wire 12g - Red/Black/Blue 3x50cm
 CR121 - Heatshrink 3.0mm dia Black - 20pcs
 CR122 - Heatshrink 4.0mm dia Black - 20pcs
 CR123 - Heatshrink 5.0mm dia Black - 20pcs
 CR124 - Heatshrink 6.0mm dia Black - 20pcs
 CR125 - Heatshrink 6.0mm dia Red - 20pcs
 CR127 - Heatshrink 8.0mm dia Black - 12pcs
 CR128 - Heatshrink 10.0mm dia Black - 12pcs
 CR129 - Heatshrink 12.0mm dia Black - 12pcs
 CR159 - Core RC - Battery Tape - Orange
 CR170 - CORE RC Lipo Locker - 17 x 8 x 7cm
 CR287 - Silicone Wire Black 14 AWG - 1Mtr
 CR288 - Silicone Wire Black 16 AWG - 1Mtr
 CR294 - CORE RC - 4000mAh 7.4V 30/60C 2S Shorty Lipo
 IPBG2S4000V4 - Intellect Lipo 4000mAh 40C 2S Shorty
 IPBG2S4800V9 - Intellect Shorty Lipo 4800mAh 2S- 90C- 7.4V G5
 IPBG2S5000SV1 - Intellect Lipo 5000mAh 100C 2S Shorty SHV
 IPCC2S5400V4 - Intellect Lipo 5400mAh 40C 2S T/Car H/C
 IPCC2S6000SV1 - Intellect Lipo 6000mAh 100C 2S Stick SHV
 IPCC2S6000V9 - Intellect Lipo 6000mAh 2S- 90C- 7.4V- 300g G5
 IPCC2S7600V9 - Intellect Lipo 7600mAh 2S- 90C- 7.4V- 330g G5
 IPCC2S7800SV1 - Intellect Lipo 7800mAh 100C 2S Stick SHV
 MR-SB - MR33 Lipo Bag
 NR95805 - NOSRAM LiPo Hardcase balancing adapter
 NR999514 - Lipo 7000 1/10 X-treme Big Mama 110C/55C-7.4V
 NR999515 - Lipo 5500 1/10 X-trme TC 110C/55C 7.4V
 NR999516 - Lipo 5800 1/10 X-treme TC STk Spec 110C/55C-7.4V
 NR999517 - Lipo 5600 TC LCG 1/10 X-treme 110C/55C-7.4V
 NR999521 - Lipo 4500 1/10 X-treme Shorty 110C/55C-7.4V
 NR999522 - Lipo 4300 1/10X-treme Shorty Stk Spec 110C/55C-7.4
 SK-500007-01 - SKY RC Lipo Pal
 TP4300-2SRC35D - T/Power Lipo 4300mAh 2S-7.4V Pro RC 35C
 TP4P10E - Thunder Power 4 Pin Balance connector 10Extension"
 TP5300-2SPR65B - Thunder Power Lipo 5300mAh 2S - 7.4V - 65C/130C
 TP5400-2SRC35D - T/Power Lipo 5400mAh 2S-7.4V Pro RC 35C
 TP6600-2SSR35D - Thunder Power Lipo 6600mAh 2S - 7.4V - 35C/70C
 TP6P10E - Thunder Power 6 Pin Balance Connector 10Extension"

GENERAL ACCESSORIES

CR043 - CORE RC - Silver X-Weights 16pcs
 CR058 - CORE RC - Black X-Weights 16pcs

GENERAL ACCESSORIES Cont...

CR119 - Heatshrink 1.5mm dia Black - 20pcs
 CR120 - Heatshrink 2.0mm dia Black - 20pcs
 CR489 - Tyre Traction Bottle (3pcs)
 CR520 - Medium Thread Lock 3ml
 CR521 - Super Glue Activator 63ml
 CR522 - CORE RC - 522 Pro Tyre Glue + 2 Nozzles
 CR548 - CORE RC - Tool Bag
 CR549 - CORE RC - Oil Bag
 MR-CSONROAD - MR33 Car Stand On Road
 U4831 - Aerial Tube Cap - Black - 6pk

TOOLS

CR044 - CORE RC - Curved Body Scissors
 CR045 - CORE RC - Straight Body Scissors
 CR100 - Shock Shaft Pliers - Purple
 CR101 - Shock Shaft Pliers - Black
 CR102 - Magnetic Parts Tray - Purple
 CR102 - Magnetic Parts Tray - Purple
 CR103 - Magnetic Parts Tray - Black
 CR148 - CORE RC - Polybutler Pit Box; Black
 CR233 - Piston Drilling Kit-1.1-1.8mm (8 bits)
 CR241 - Camber Gauge
 CR271 - 4 Way Wrench Small - 4.0,4.5,5.5,7.0mm
 ED181001 - Chassis Droop Gauge Blocks 10mm for 1/10 - (2)
 ED181004 - Chassis Droop Gauge 3-10mm for 1/10 Cars (10mm)
 ED181007 - Ultra-Fine Chassis Droop Gauge 4.0-6.6mm
 ED181008 - Ride Height Gauge - 0mm - 15mm (Beveled)
 ED181009 - Quick Downtop Gauge Tool - 1.0 - 6.5mm
 ED181012 - Alu Set-Up Wheels (4)
 ED190012 - Reamer with Protection Cap for Body - 14mm
 H1026 - Ride Height Gauge; Purple Alloy; 0-10mm
 H1027 - Droop Gauge Set; Purple Alloy - Touring
 H1032 - Alloy Camber Gauge - 1/10th
 H1056 - Loctite 243 Thread Lock 3ml
 H1057 - Loctite Precision Super Glue - 5g
 U2100 - Set Up Wheels;Camber and Toe In-SST
 U2789 - Schumacher Hex Driver - 1.5mm
 U2790 - Schumacher Hex Driver - 2.0mm
 U2791 - Schumacher Hex Driver - 2.5mm
 U2792 - Schumacher Hex Driver - 3.0mm
 U2795 - Schumacher M3 Nut Driver
 U2796 - Schumacher M4 Nut Driver
 U2818 - Schumacher Body Reamer
 U3582 - Precision Balance Pivot Set
 U4229 - Steel Spanner - 5.5mm/3.9mm
 U4315 - C/F Lipo/Roll Bar Block Tool - Mi5

1-10 TOURING WHEELS

NR95075 - NOSRAM VTEC Wheelsticker Racing 10 spoke
 U2500 - Rev-Lite; 24mm - White (Pk4)
 U2777 - Rev-Lite; Flex 24mm - White (Pk4)
 U3792 - Rev-Lite wheel Std; 20mm - White (Pk4)

1-10 TOURING TYRES AND INSERTS

NR95031 - VTEC CPX; Pre-Glued Carpet (4 pcs.)
 NR95040 - VTEC G32 Tyres - Pre-Glued Asphalt - pk4
 NR95041 - VTEC G36 Tyres - Pre-Glued Asphalt pk4
 RI-REX-30 - Ride REX-30 Tyres - ETS, EWS pk4
 U6623 - SST Mini Pins 24/25 - Blue (pr)
 U6624 - SST Mini Pins 24/25 - Yellow (pr)
 U6627 - SST Foam Tyre Insert - 24/25 Hard (pr)
 U6628 - SST Foam Tyre Insert - 24/25 Comp (pr)
 U6629 - SST Rally 24/25 - Yellow (pr)

1-10 TOURING TYRES AND INSERTS

U6630 - SST Rally 24/25 - White (pr)
 U6635 - SST Foam Tyre Insert - 20 Hard (pr)
 U6670 - SST Mini Pins 20 - Blue (pr)
 U6671 - SST Mini Pins 20 - Yellow (pr)
 U6672 - SST Belted Slick 25 - White (pr)
 U6690 - SST Carpet Dragon 24/25mm (pr)
 U6716 - SST Mini Pins 24/25 - Green (pr)
 U6717 - SST Mini Pins 20 - Green (pr)
 U6758 - Moulded Insert; Yellow - Touring (pr)
 U6764 - JB Foam Inserts (pr)
 U6764 - JB Foam Inserts (pr)
 U6780 - Moulded Insert; Red - Touring (pr)
 U6799 - Foam Inserts - Touring - Dark Grey - (pr)

SOREX - TOURING CAR TYRES

XCO-20R - Sorex Competition Tyre - 20R
 XCO-24R - Sorex Competition Tyre - 24R
 XCO-28R - Sorex Competition Tyre - 28R
 XCO-32R - Sorex Competition Tyre - 32R
 XCO-36R - Sorex Competition Tyre - 36R
 XCO-40R - Sorex Competition Tyre - 40R
 XG-24RY - Sorex Glued 24R+Yellow+Revlite24 pk4
 XG-28JB - Sorex Glued 28R+JB+Revlite24 pk4
 XG-28RK - Sorex Glued 28R+Black+Revlite 24 - pk4
 XG-32JB - Sorex Glued 32R+JB+Revlite24 pk4
 XG-32RK - Sorex Glued 32R+Black+Revlite 24-pk4
 XG-32RY - Sorex Glued 32R+Yellow+Revlite24 pk4 BRCA
 XG-36SR - Sorex Glued 36R+Red+Stiff Light pk4 Worlds 2012
 XG-36SY - Sorex Glued 36R+Yellow+Stiff Light pk4
 XG-40SY - Sorex Glued 40R+Yellow+Stiff Light Pk4-Euros 2014

PAINT

CR600 - Aerosol Paint - White Knight
 CR601 - Aerosol Paint - Yellow Taxi
 CR602 - Aerosol Paint - Fire Red
 CR603 - Aerosol Paint - French Blue
 CR604 - Aerosol Paint - Petrol Blue
 CR605 - Aerosol Paint - Racing Green
 CR606 - Aerosol Paint - Jet Black
 CR607 - Aerosol Paint - Lime Green
 CR608 - Aerosol Paint - Tangerine
 CR609 - Aerosol Paint - Hot Pink
 CR610 - Aerosol Paint - Berry Purple
 CR611 - Aerosol Paint - Neon Yellow
 CR612 - Aerosol Paint - Neon Orange
 CR613 - Aerosol Paint - Neon Red
 CR614 - Aerosol Paint - Neon Green
 CR615 - Aerosol Paint - Neon Fire
 CR616 - Aerosol Paint - Neon Carrot
 CR617 - Aerosol Paint - Neon Pink
 CR618 - Aerosol Paint - Neon Blue
 CR619 - Aerosol Paint - Metallic Blue
 CR620 - Aerosol Paint - Metallic Graphite
 CR621 - Aerosol Paint - Metallic Silver
 CR622 - Aerosol Paint - Metallic Purple
 CR623 - Aerosol Paint - Metallic Green
 CR624 - Aerosol Paint - Metallic Red
 CR625 - Aerosol Paint - Metallic White
 CR626 - Aerosol Paint - Clear Sparkle
 CR627 - Aerosol Paint - True Chrome
 CR628 - Aerosol Paint - Clear Backing
 CR629 - Aerosol Paint - Window Tint
 CR631 - Aerosol Paint - Spearmint



CR280 - Ti Pro Ball Studs - Short - (pr)
CR281 - Ti Pro Ball Studs - Ultra Short - (pr)
CR282 - Ti Pro Ball Studs - Long - (pr)



CR465 - Alloy Offset Servo Arm 23T
CR466 - Alloy Offset Servo Arm 25T



U2862 - Ceramic Bearing - 5x10x4 Shield - (pr)
U2863 - Ceramic Bearing - 4x8x3 Shield Flanged - (pr)
U3017 - Ceramic Bearing - 10x15x4 - Shield - (pr)
U3386 - Ceramic Bearing - 4x8x3 Shield - (pr)
U3387 - Ceramic Bearing - 5x9x3 Shielded - (pr)
U4344 - Ceramic Bearing - 5x8x2.5 Shield - (pr)
U4724 - Pro Bearing Set Caster Block - Mi5evo (4pcs)
U4725 - Pro Ball Bearing - 5x10x4 Shield - (pr)
U4726 - Pro Ball Bearing - 5x10x3 Shield - (pr)



U4327 - Alloy Servo Mount Black - K1/Mi5



U4597 - Shock Shaft Titanium-Ti Nitride-Mi5evo (pr)



U4295 - C/F Optional Rear Hub Carrier Arm Set - Mi5 (2pr)



U4328 - Impact Servo Saver
U4329 - Impact Servo Saver Mouldings
U4330 - Impact Servo Saver Springs



U3582 - Precision Balance Pivot Set



U4573 - Micro Caster Block 6deg - Mi5evo - (pr)



U4599 - Ti Pro Pin - 2.5mm x 27.5mm Rear (pr)
U4600 - Ti Pro Pin - 2.5mm x 21.25mm Front (pr)



U3570 - Alloy Wheel Hex; Slim+O ring - Mi4LP (pr)



U2988 - M3 Csk Washers - Purple Alloy (pk10)
U4155 - M3 Csk Washers - Black Alloy (pk10)



U1905 - Titanium Turnbuckle; purple - 35mm (pr)
U2053 - Titanium Turnbuckle; purple - 25mm (pr)
U2566 - Titanium Turnbuckle; purple - 45mm (pr)



U4321 - Alloy Wheel Shims 0.50 & 1.00mm - Mi5 - 8pc



48DP SPUR GEARS

- U4598** - 44T - 48DP CNC Spur Gear - Mi4/5
- U4361** - 64T - 48DP CNC Spur Gear - Mi3/4/5
- U3247** - 70T - 48DP CNC Spur Gear - Mi4/Mi5
- U3560** - 74T - 48DP CNC Spur Gear Mi4/Mi5
- U4603** - 80T - 48DP CNC Spur Gear - Mi4/5
- U3160** - 85T - 48DP CNC Spur Gear - Mi4/Mi5
- U3161** - 87T - 48DP CNC Spur Gear - Mi4/Mi5
- U3162** - 89T - 48DP CNC Spur Gear - Mi4/Mi5



U4610 - Alloy Eccentric - Mi5evo pr



G921 - Roche Double Joint Driveshaft Bone -1pc
G922 - Roche Double Joint Driveshaft Axle - 1pc
G923 - Roche Double Joint Parts-Pins-Clips,Pivots,Barrel
G980 - Roche Double Joint Drive Shafts - pr

64DP SPUR GEARS

- U4604** - 59T - 64DP CNC Spur Gear - Mi4/Mi5
- U3269** - 90T - 64DP CNC Spur Gear - Mi4/Mi5
- U3248** - 96T - 64DP CNC Spur Gear - Mi4/Mi5
- U3270** - 106T - 64DP CNC Spur Gear - Mi4/Mi5
- U3163** - 114T - 64DP CNC Spur Gear - Mi4/Mi5
- U3165** - 118T - 64DP CNC Spur Gear - Mi4/Mi5

U3833 - Driveshafts; Alloy Rear - Mi4CX/Mi5 pr
U3840 - Driveshaft; Alloy Axle Rear - Mi4CX/Mi5 1pc
U3841 - Driveshaft; Alloy Bone Front - Mi4CX/Mi5 1pc
U3842 - Driveshaft; Alloy Bone Rear - Mi4CX/Mi5 1pc
U4338 - Driveshafts; Alloy Front - Mi5 pr



- G868 - Spec R Gear Differential - Mi4/Mi5 Front
- G870 - SPEC-R Gear Diff Screw Set (10pcs)
- G871 - SPEC-R Gear Diff. Gasket Set (V.11)
- G873 - SPEC-R Gear Diff Housing 36T - Mi4
- G874 - SPEC-R 0.1mm Shims (10)
- G875 - SPEC-R Titanium Gear Diff Pins
- G883 - SPEC-R Carbon Internal Gear Set



- U4230 - M3 x 6mm Alloy Button Head Screws pk10
- U4231 - M3 x 8mm Alloy Button Head Screws pk10
- U4232 - M3 x 10mm Alloy Button Head Screws pk10
- U4233 - M3 x 12mm Alloy Button Head Screws pk10
- U4234 - M3 x 6mm Alloy Csk Screws pk10
- U4235 - M3 x 8mm Alloy Csk Screws pk10
- U4236 - M3 x 10mm Alloy Csk Screws pk10
- U4237 - M3 x 12mm Alloy Csk Screws pk10
- U4238 - M3 x 16mm Alloy Csk Screws pk10



U4931 - Alloy Spring Seat - Mi6 - (pr)



- U4894 - Rear Suspension Strap 45.50mm - Mi6
- U4895 - Rear Suspension Strap 44.20mm - Mi6



U4897 - Ti Inboard Pin - Mi6 - (pr)



U4930 - Blinky Motor Spacer - Mi6



- U4907 - Front Suspension Strap 43.50mm - Mi6
- U4908 - Front Suspension Strap 46.00mm - Mi6

U4933 - Strap Shims - Mi6 - (2pcs)



U4932 - Split Block Shims - Mi6 - (pk4)



CR309 - Alloy Body Mount Adjuster Set - Black - pk4



U4916 - C/F Front Shock Mount 5th Post - Mi6



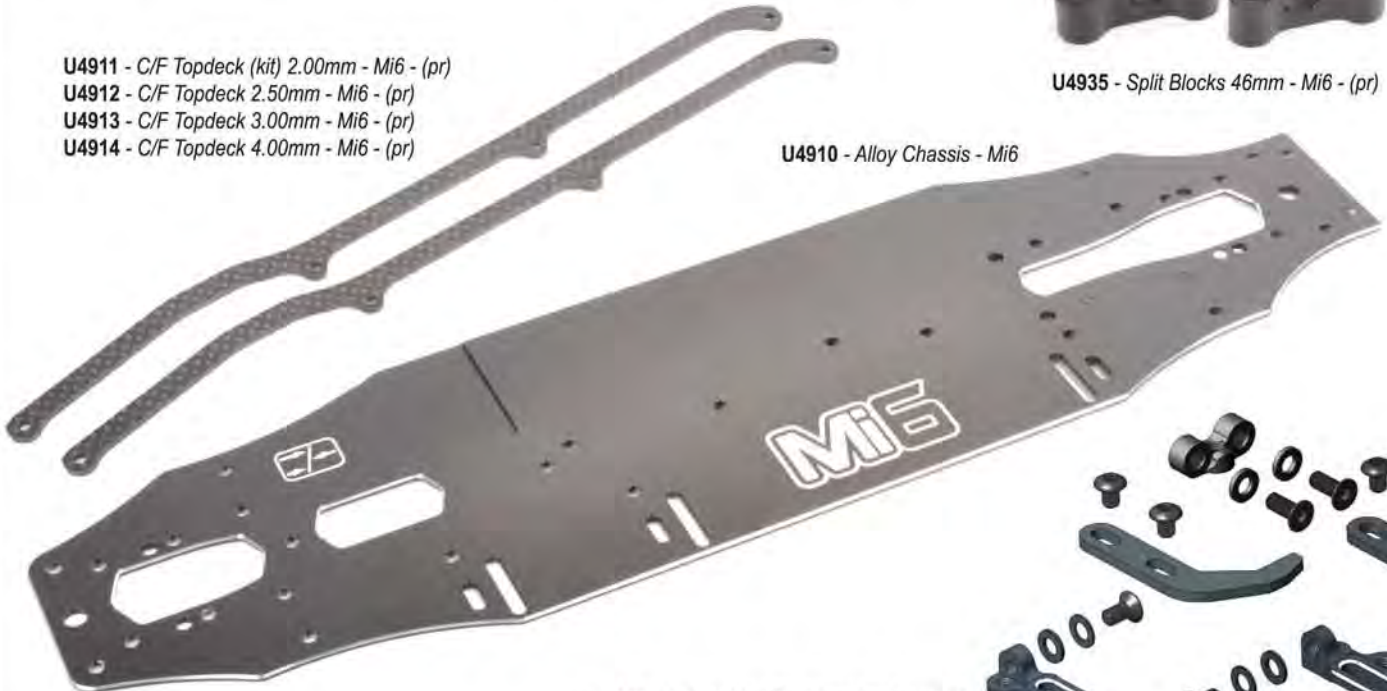
U4934 - C/F Split Block Straps - Mi6



U4935 - Split Blocks 46mm - Mi6 - (pr)

- U4911 - C/F Topdeck (kit) 2.00mm - Mi6 - (pr)
- U4912 - C/F Topdeck 2.50mm - Mi6 - (pr)
- U4913 - C/F Topdeck 3.00mm - Mi6 - (pr)
- U4914 - C/F Topdeck 4.00mm - Mi6 - (pr)

U4910 - Alloy Chassis - Mi6



U4867 - Adjustable LiPo Mounting Set - Mi6





3 Layer Soft Shell Team Jacket - Black
 G339XS Extra Small - 34 inch chest
 G339S Small - 38 inch chest
 G339M Medium - 41 inch chest
 G339L Large - 44 inch chest
 G339XL X Large - 46 inch chest
 G339XXL XX Large - 48 inch chest
 G339XXXL XXX Large - 50 inch chest



Team Hooded Sweatshirt - Navy Blue
 G343S Small
 G343M Medium
 G343L Large
 G343XL Extra Large



Team Caps - Black
 G340 Schumacher Baseball Cap
 G341 Schumacher Flat bill Cap



Team Polo Shirt - Navy blue
 G344S Small
 G344M Medium
 G344L Large
 G344XL X Large
 G344XXL XX Large
 G344XXXL XXX Large
 G344XXXXL XXXX Large
 G344XXXXXL XXXXX Large



Team T-Shirt - Navy blue
 G342S Small
 G342M Medium
 G342L Large
 G342XL X Large
 G342XXL XX Large
 G342XXXL XXX Large
 G342XXXXL XXXX Large
 G342XXXXXL XXXXX Large



Team Beanie
 G338 - 2 Tone Beanie Knitted Hat



Team Towel
 G315 - Schumacher Pit Towel



Team Pit Mat
 G310 - Schumacher Rubber Pit Mat
 750mm x 500mm



Team Banner
 S500B - Team Schumacher Banner 3ft x 6ft

G355 - Schumacher Hauler Bag

The Schumacher hauler bag sets a new standard of transporting all your race gear to the track. Super stylish black, grey and white provides a distinctive look but carries that traditional Schumacher branding!

The bag is super easy to manoeuvre with its 2 position, push button, lightweight aluminium handle and robust moulded wheels. The bag also incorporates a shoulder strap for more carrying options. The handle is also replaceable if somehow it gets damaged.

The zips on the Schumacher hauler are also super tough, with upgraded fastenings compared to other bags on the market.

Undo the main zips to unveil the 5 tough corrugated boxes, one large, three medium and one small, (all available separately as spare parts) with moulded supports to provide even more strength.

Underneath the top zipped cover you can find a handy tool tray and positions for all your favourite tools which can be securely fastened in with the elastic straps.

The bag also has handy pockets for many items including one large on the rear to take that all important set up board.

Dimensions

54 x 37 x 60cm

Not including handle.

Box sizes;

1x Large - 32x19.5x50cm

3x Medium - 32x24.5x12cm

1x Small - 32x21.5x12cm

The Schumacher Hauler bag requires assembly.
Schumacher Set up board and tools not included.

Spare Parts

G356 - Handle For Hauler Bag

G357 - Small Draw for Hauler Bag

G358 - Medium Draw for Hauler Bag

G359 - Large Draw for Hauler Bag

