

### DRIVER DETAILS

NAME Chris Ashton  
 DATE 16-17 Sept 2017  
 EVENT Cotswolds BRCA  
 WEATHER Cold 6-10deg  
 RESULT Q1 FB 21:305  
 FASTEST LAP TIME 14.16

### NOTES

TOP DECK CONNECTOR YES  NO

Both new nearer shock tower posts in top deck.  
 27 inside wheel lock.

**Mi6** *LEVO*  
 racing intelligence evolved

**Schumacher**  
 racing-cars.com

### CHASSIS AND ELECTRICS

CHASSIS Alloy  Carbon   
 TOP DECK 2.0mm  2.5mm  3.0mm  4.0mm   
 BODYSHELL Montech IS200  
 WING MR33  
 E.S.C Hobbywing XR10  
 SERVO Highest  
 RECEIVER K0  
 CELLS Nosram 5600 8.4v charge

### MOTOR AND GEARING

MOTOR HW 4.5 G2  
 ROTOR DIAMETER 12.5mm  
 TIMING  
 GEAR PITCH 48DP  64DP   
 SPUR SIZE 89  
 PINION SIZE 22


### TRACK CONDITIONS

GRIP LEVEL High  Medium  Low   
 TYPE Tight  Open  Mixed   
 SURFACE Carpet  Tarmac   
 CONDITION Smooth  Bumpy   
 TEMPERATURE 12 °C °F  
 VENUE Indoor  Outdoor

### WHEELS, TYRES AND INSERTS

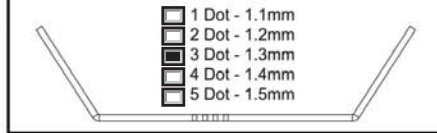
WHEELS  
 TYRES Sorex 32 RY  
 INSERTS  
 TYRE ADDITIVE  
 ADDITIVE TIME Front 20 Minutes Rear 20 Minutes  
 TYRE WARMERS Yes  No  Temp 60 °C Time 10/10 Minutes

### FRONT

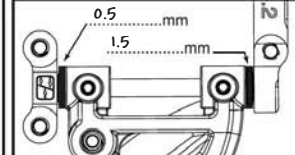


Diff Oil ..... cTs


Spool  
 Gear Diff



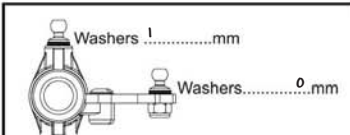
1 Dot - 1.1mm  
 2 Dot - 1.2mm  
 3 Dot - 1.3mm  
 4 Dot - 1.4mm  
 5 Dot - 1.5mm



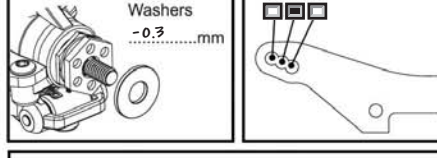
0.5 .....mm  
 1.5 .....mm




Droop .5 .....mm  
 On 10mm Block   
 Ride Height .52 .....mm  
 Camber .175-1.5 °  
 Toe -1 °  
 Pivot Block Strap   
 Washers 0.5 .....mm  
 43.5 44.2 46.0



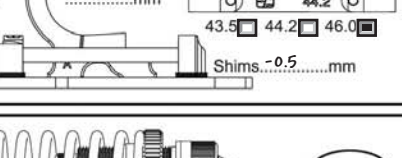
Washers 1 .....mm  
 Washers ..... 0 .....mm



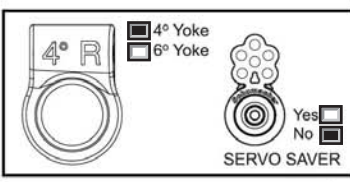
Washers -0.3 .....mm



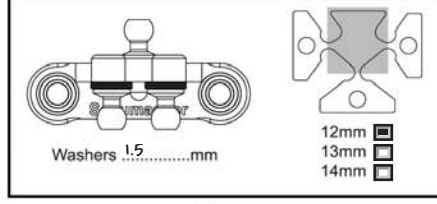
Line In   
 Line Out



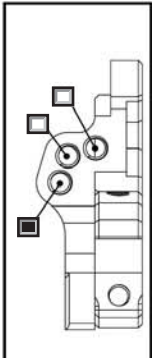
Shims  
 -0.5 .....mm  
 Shims .0.5 .....mm

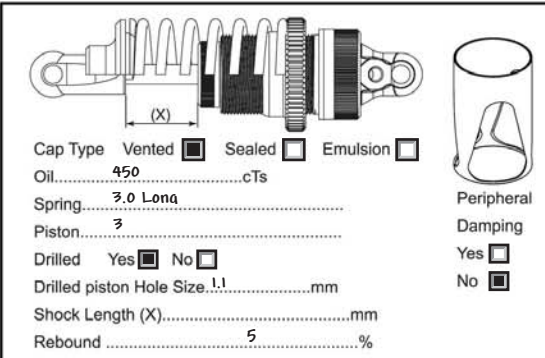


4° R  4° Yoke  6° Yoke   
 SERVO SAVER Yes  No




Washers 1.5 .....mm  
 12mm   
 13mm   
 14mm






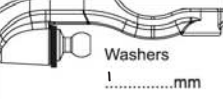
Cap Type Vented  Sealed  Emulsion   
 Oil 450 .....cTs  
 Spring 3.0 Lona .....  
 Piston 3 .....  
 Drilled Yes  No   
 Drilled piston Hole Size 1.1 .....mm  
 Shock Length (X) .....mm  
 Rebound ..... 5 .....%



Alloy  Steel  Double Joint

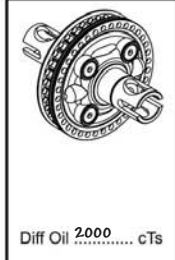


Narrow  Medium (kit)

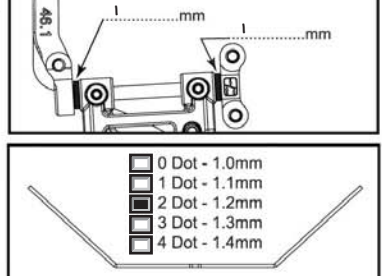


Washers 1 .....mm

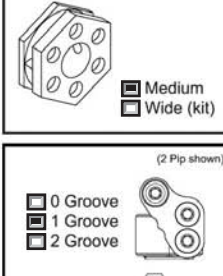
### REAR



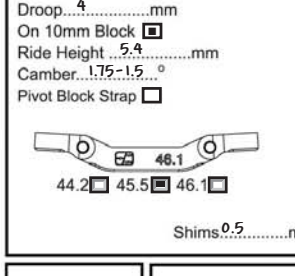
Diff Oil 2000 ..... cTs



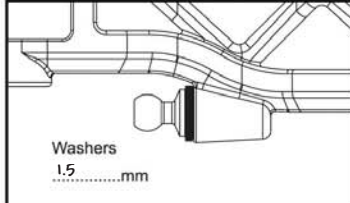
0 Dot - 1.0mm  
 1 Dot - 1.1mm  
 2 Dot - 1.2mm  
 3 Dot - 1.3mm  
 4 Dot - 1.4mm



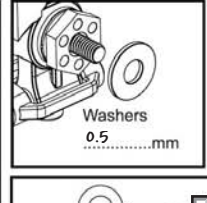
Medium  Wide (kit)



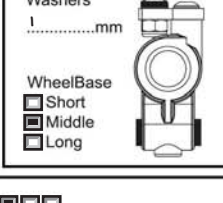
Droop .4 .....mm  
 On 10mm Block   
 Ride Height .54 .....mm  
 Camber .175-1.5 °  
 Pivot Block Strap   
 44.2 45.5 46.1



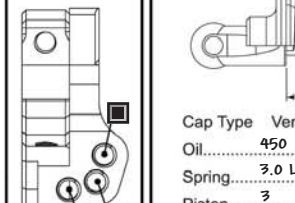
Washers 1 .....mm



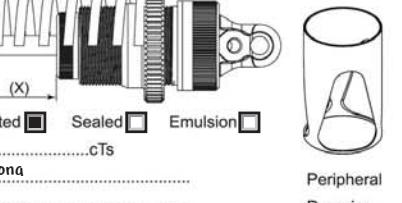
Washers 0.5 .....mm




Washers 1 .....mm  
 WheelBase Short  Middle  Long




Shims 0.5 .....mm  
 Shims 0.5 .....mm

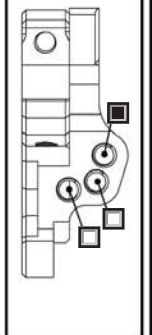


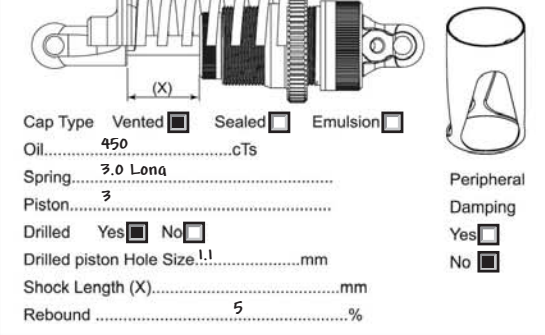
Line In   
 Line Out



Alloy  Steel







Cap Type Vented  Sealed  Emulsion   
 Oil 450 .....cTs  
 Spring 3.0 Lona .....  
 Piston 3 .....  
 Drilled Yes  No   
 Drilled piston Hole Size 1.1 .....mm  
 Shock Length (X) .....mm  
 Rebound ..... 5 .....%