

DRIVER DETAILS

NAME Scott Guyatt
 DATE 2 June 2013
 EVENT Logan R/C Club day
 WEATHER Cool, cloudy, windy
 RESULT TQ & 1st

NOTES

Very neutral handling car, easy to drive.

Mi5

Schumacher
 racing-cars.com

CHASSIS AND ELECTRICS

CHASSIS Std Rear Motor Mid Motor
 TOP DECK Std
 BODYSHELL Protoform Mazda Speed 6
 WING Std
 E.S.C Speedpassion Reventon Pro
 SERVO Futaba 9551
 RECIEVER Spektrum
 CELLS IP5600/50
 CELL POSITION Foward Middle Rearward

MOTOR AND GEARING

MOTOR Novak Ballistic 17.5
 ROTOR DIAMETER Std
 TIMING 42deg
 GEAR PITCH 48DP 64DP
 SPUR SIZE 70
 PINION SIZE 36

TRACK CONDITIONS

GRIP LEVEL High Medium Low
 TYPE Tight Open Mixed
 SURFACE Carpet Tarmac
 CONDITION Smooth Bumpy
 TEMPERATURE °C 18 °F
 VENUE Indoor Outdoor


WHEELS, TYRES AND INSERTS

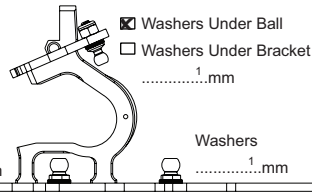
WHEELS Schumacher Revlite
 TYRES Sorex 36r
 INSERTS Sorex Yellow
 TYRE ADDITIVE MR
 ADDITIVE TIME Front 10 Minutes Rear 10 Minutes
 TYRE WARMERS Yes No Temp 55 °C Time 10 Minutes

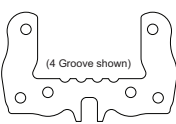
REAR

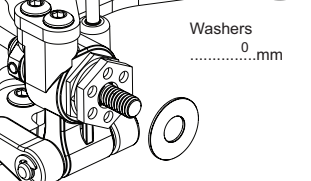
Ball Diff
 Gear Diff


 Diff Oil cTs

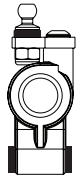
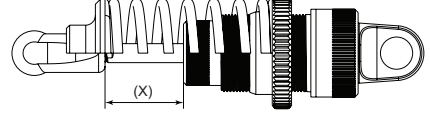

 1.1mm - Yellow
 1.2mm - Red
 1.3mm - Green
 1.4mm - Blue
 1.5mm - Grey
 1.6mm - Orange

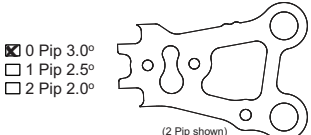
Droop..... 4.5 mm
 On 10mm Block
 Ride Height 6.0 mm
 Camber..... 1.7 Degree's

 Washers Under Ball
 Washers Under Bracket
 1 mm
 Washers 1 mm

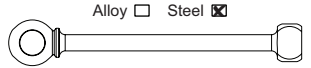
3 Groove 39mm
 4 Groove 37mm

 (4 Groove shown)

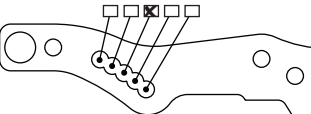
Washers 0 mm


(2 Pip shown)
 0 Groove
 1 Groove
 2 Groove


Washers 1 mm

 WheelBase
 Short
 Middle
 Long

 CAP TYPE Vented Sealed Emulsion
 OIL..... 450 Core R/C cTs
 SPRING..... Schumacher Green
 PISTON..... Std
 DRILLED Yes No
 DRILLED PISTON HOLE SIZE..... mm
 SHOCK LENGTH (X)..... mm
 REBOUND 80%.....

0 Pip 3.0°
 1 Pip 2.5°
 2 Pip 2.0°

 (2 Pip shown)


Alloy Steel


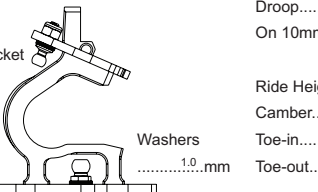


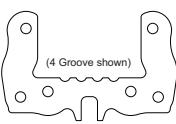
FRONT

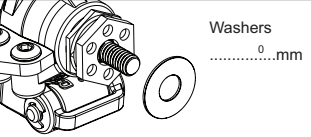
Spool
 Gear Diff

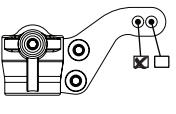
 Diff Oil cTs

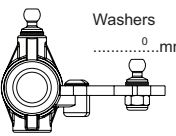

 1.1mm - Yellow
 1.2mm - Red
 1.3mm - Green
 1.4mm - Blue
 1.5mm - Grey
 1.6mm - Orange

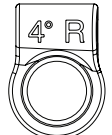
Washers Under Ball
 Washers Under Bracket
 1.0 mm

 Droop..... 5 mm
 On 10mm Block
 Ride Height 5.5 mm
 Camber..... 1.7 Degree's
 Toe-in..... Degree's
 Toe-out..... 0.75 Degree's
 Washers 1.0 mm

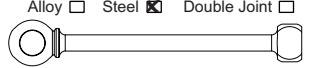
3 Groove 39mm
 4 Groove 37mm

 (4 Groove shown)

Washers 0 mm


Washers 1.0 mm


Washers 1.0 mm

 CAP TYPE Vented Sealed Emulsion
 OIL..... 450 Core R/C cTs
 SPRING..... Schumacher Green
 PISTON..... Std
 DRILLED Yes No
 DRILLED PISTON HOLE SIZE..... mm
 SHOCK LENGTH (X)..... mm
 REBOUND 80%.....

4° Yoke
 6° Yoke

 SERVO SAVER
 Yes No

Alloy Steel Double Joint


Washers 0.5 mm
