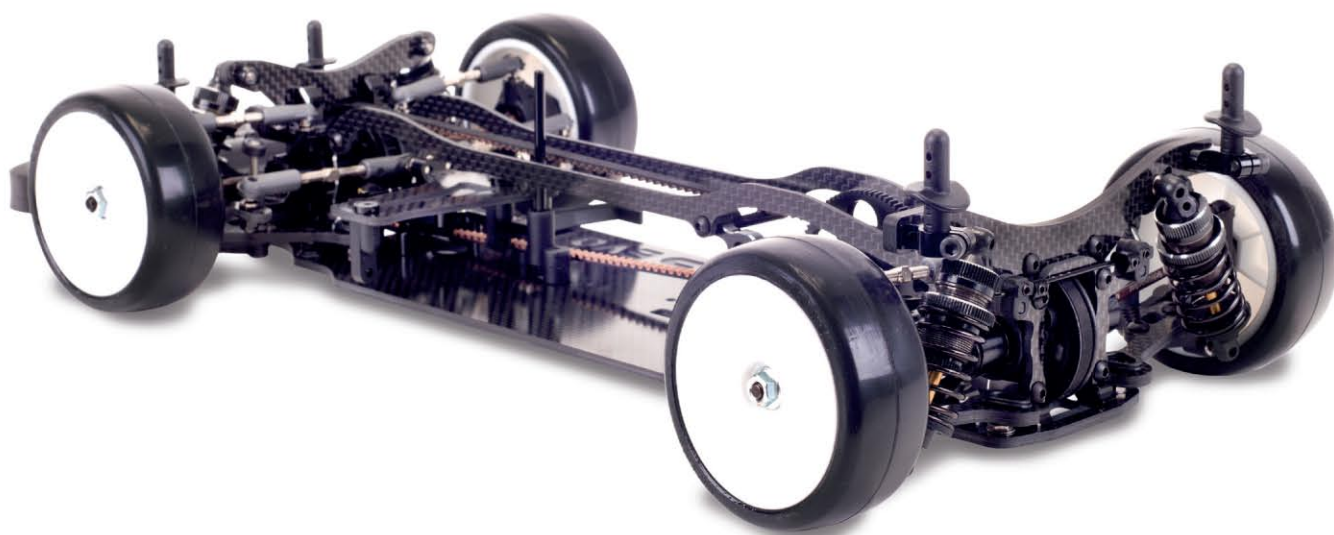


# Mi5 evo

race winning innovation

## Instruction Manual



**Schumacher**  
racing-cars.com

Schumacher Racing  
71-73 Tenter Road  
Moulton Park  
Northampton  
NN3 6AX  
U.K  
[www.racing-cars.com](http://www.racing-cars.com)



## Additional Items Required

### Transmitter and receiver

CR151 CODE 2.4G 2 Stick 3Ch Tx+Rx  
CR152 CODE 2.4G 2 Stick 3Ch Receiver ONLY



(Batteries not included)

### Electronic Speed Controller



G796 Male Connector Plugs (pk 2)

SPW1403 High Current 14AWG Wire

### Li-Po Battery



### Motor



### Pinion Gear



### Battery Charger



CR161 UAC50 Charger 12v/110-240v 6A

### Bodyshell



Wheels, tyres and glue



Paint



H1057 Loctite Precision Super Glue - 5g  
MR-SUPER GLUE Perfect for Rubber Tyres  
C4450 CS Superglue 20g  
CR522 CORE RC - 522 Pro Tyre Glue



CR044 Curved Body Scissors



U2818 Schumacher Body Reamer



Long nose Pliers



U2789 Hex Driver - 1.5mm  
U2790 Hex Driver - 2.0mm  
U2791 Hex Driver - 2.5mm  
U2792 Hex Driver - 3.0mm



U2795 M3 Nut Driver  
U2796 M4 Nut Driver

Soldering Iron  
CR266 40w  
CR275 80w



U3107 - Solder

# Mi5 evo

race winning innovation

Schumacher Racing stocks and distributes the following manufacturers products and full product listings are available on our website at

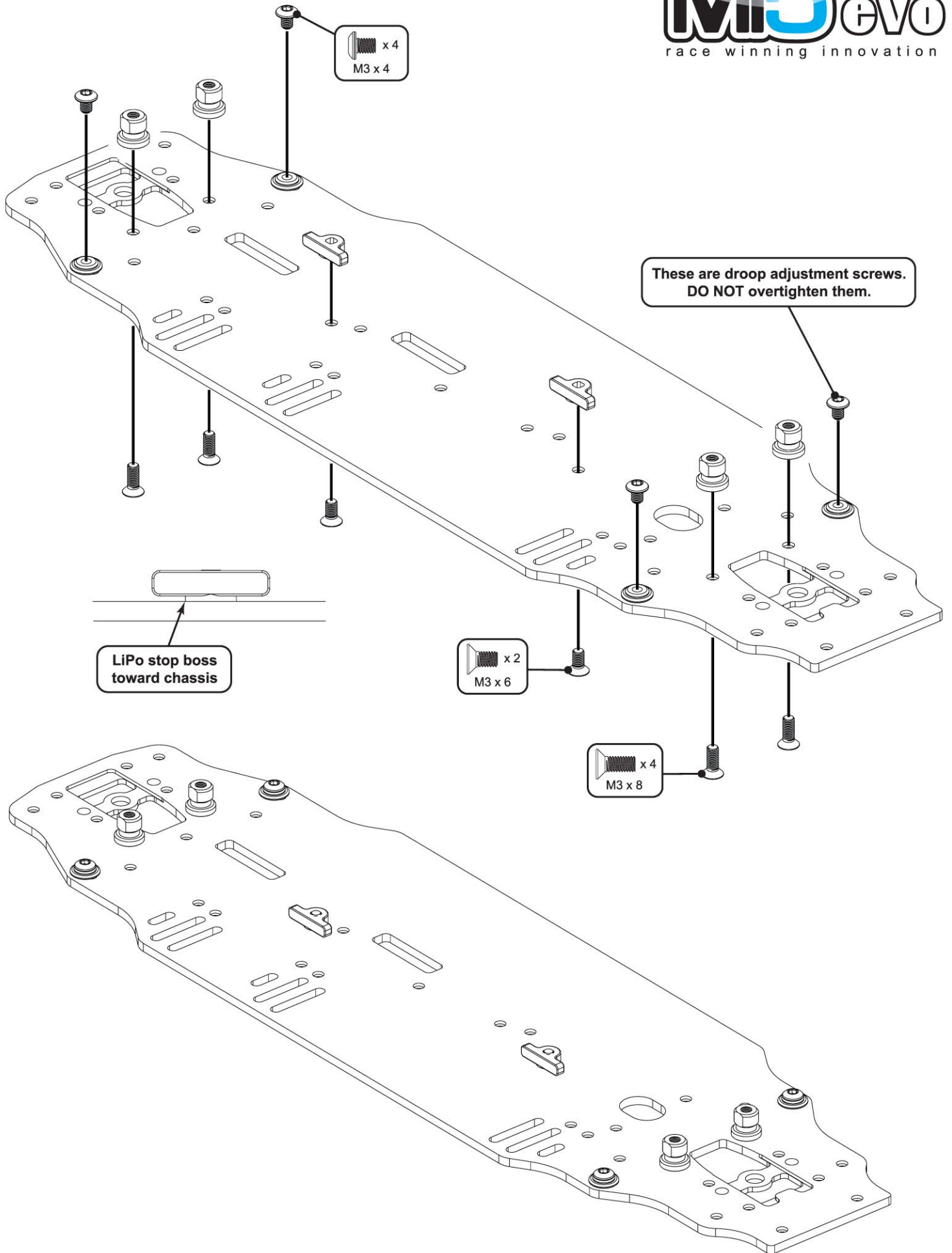
[www.racing-cars.com](http://www.racing-cars.com)

PLEASE NOTE THAT SOME OF THE PRODUCT RANGES BELOW ARE ONLY AVAILABLE IN THE UNITED KINGDOM.



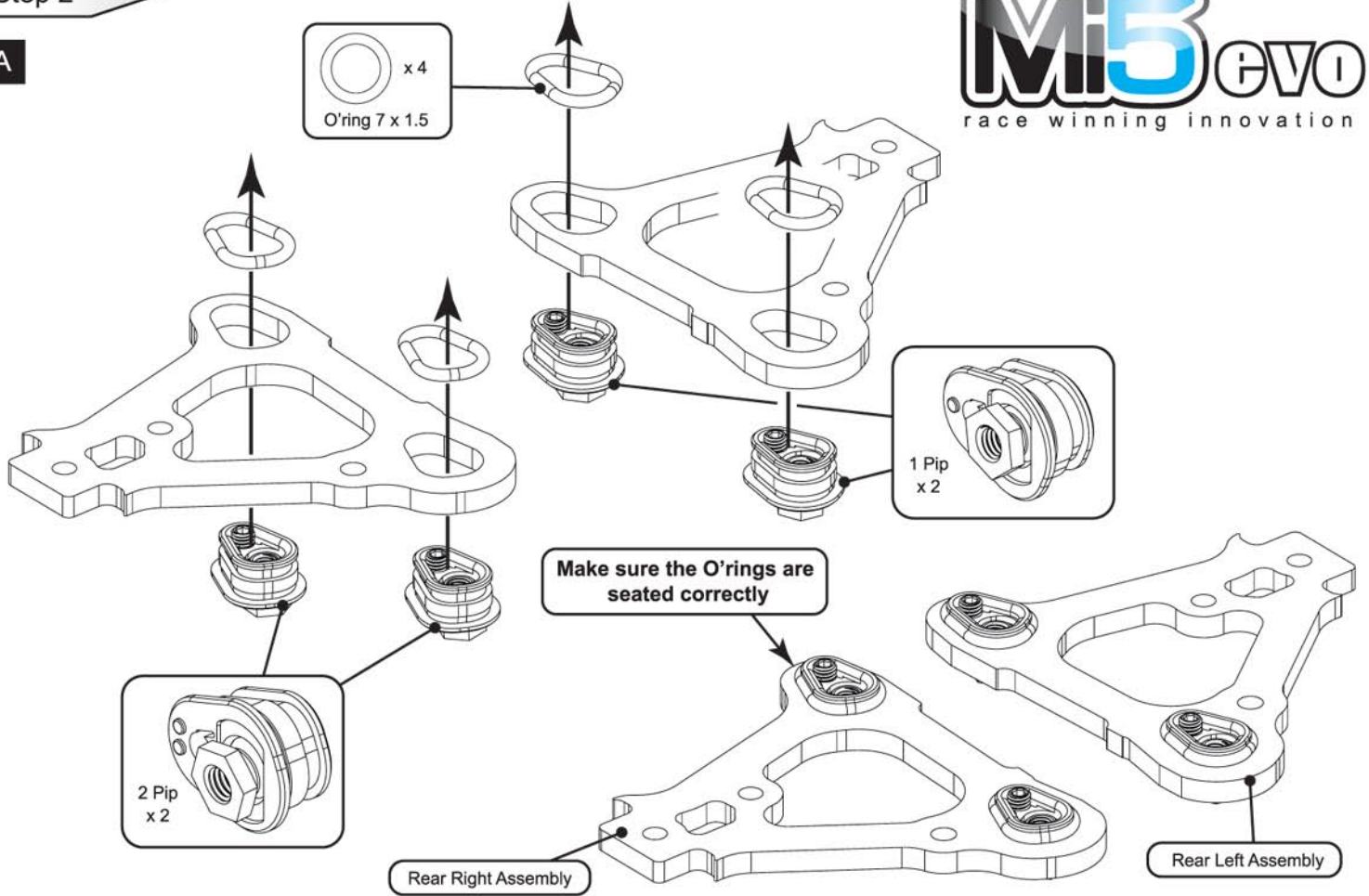
## IMPORTANT SAFETY NOTES

- This product is not suitable for children under the age of 14, without the direct supervision of a responsible adult.
- Select an area for assembly that is away from the reach of small children.
- The parts in this kit are small and can be swallowed by children causing choking and possible internal injuries.
- Exercise care when using hand tools and sharp instruments during assembly.
- Carefully read all manufacturers warnings and cautions for any additional items used in the construction.
- In line with our policy of continuous development the exact details of the kit may vary.
- DO NOT use this car on public roads or in places where it can interfere with traffic, people or animals.
- Always check the operation of the radio with the wheels off the ground, before using the car.
- Make sure the radio and car batteries are fully charged before use.
- Disconnect and remove the battery from the car when not in use.
- Always store and charge LiPo batteries in a fireproof container.
- DO NOT put fingers or any objects inside rotating or moving parts as this may cause injury.
- Make sure the charger is correctly set for the type of battery you are using. Incorrect charging may cause a fire.
- Insulate all exposed electrical wiring. Exposed or damaged wires can cause short circuits and fire.
- The motor and speed controller can become hot during use. DO NOT touch them immediately after using your car as this may cause injury.



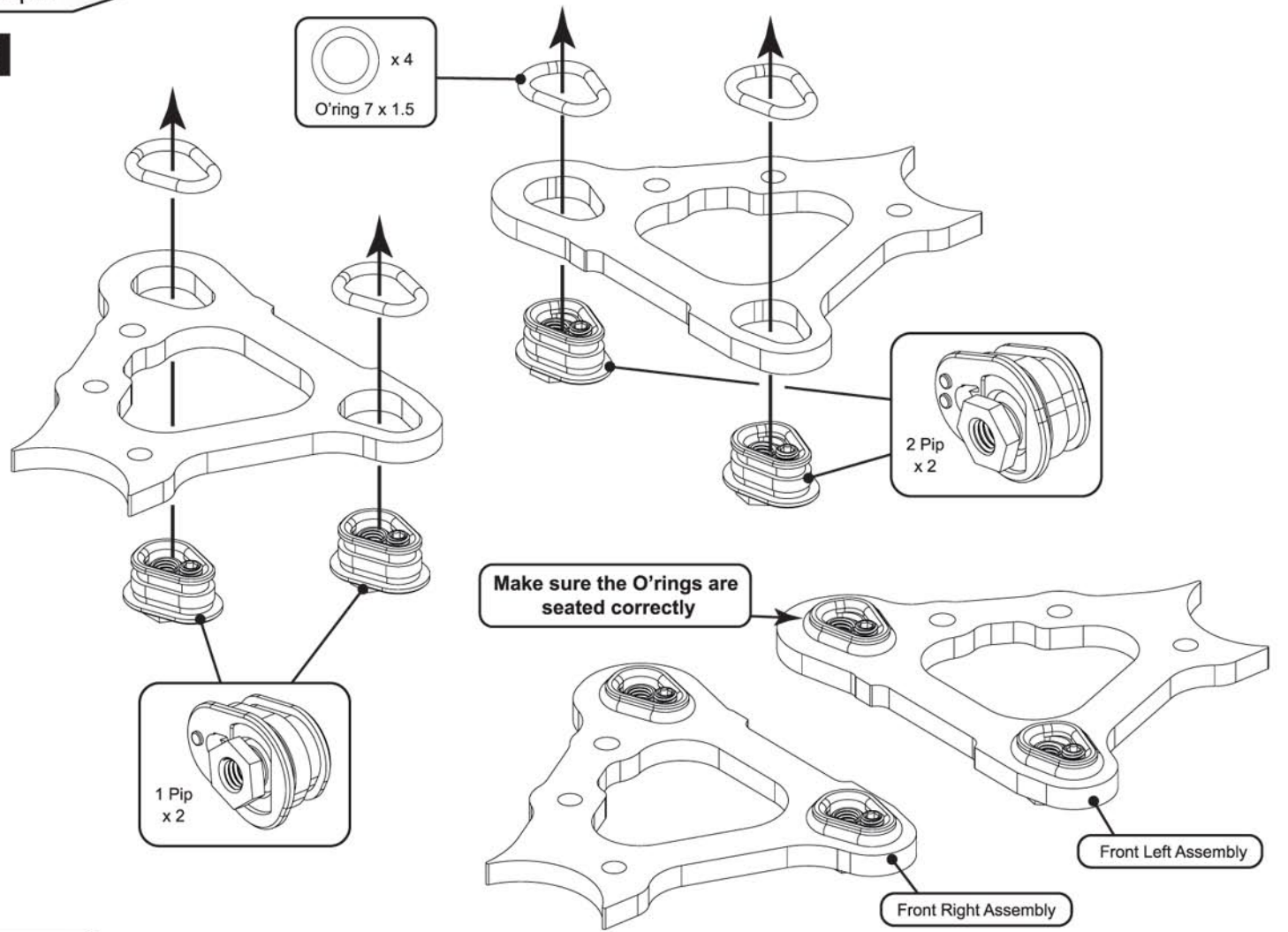
Step 2

A

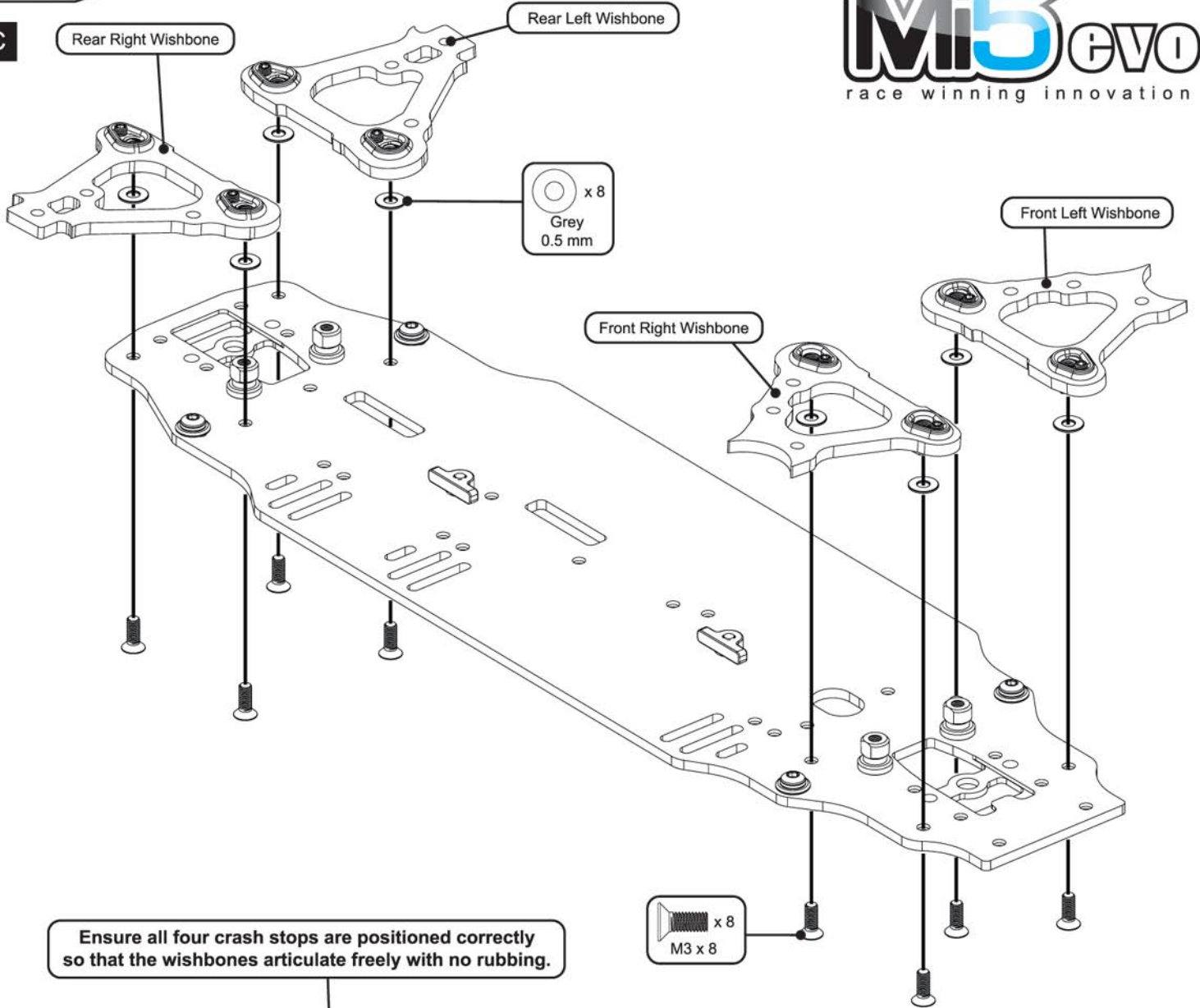


Step 2

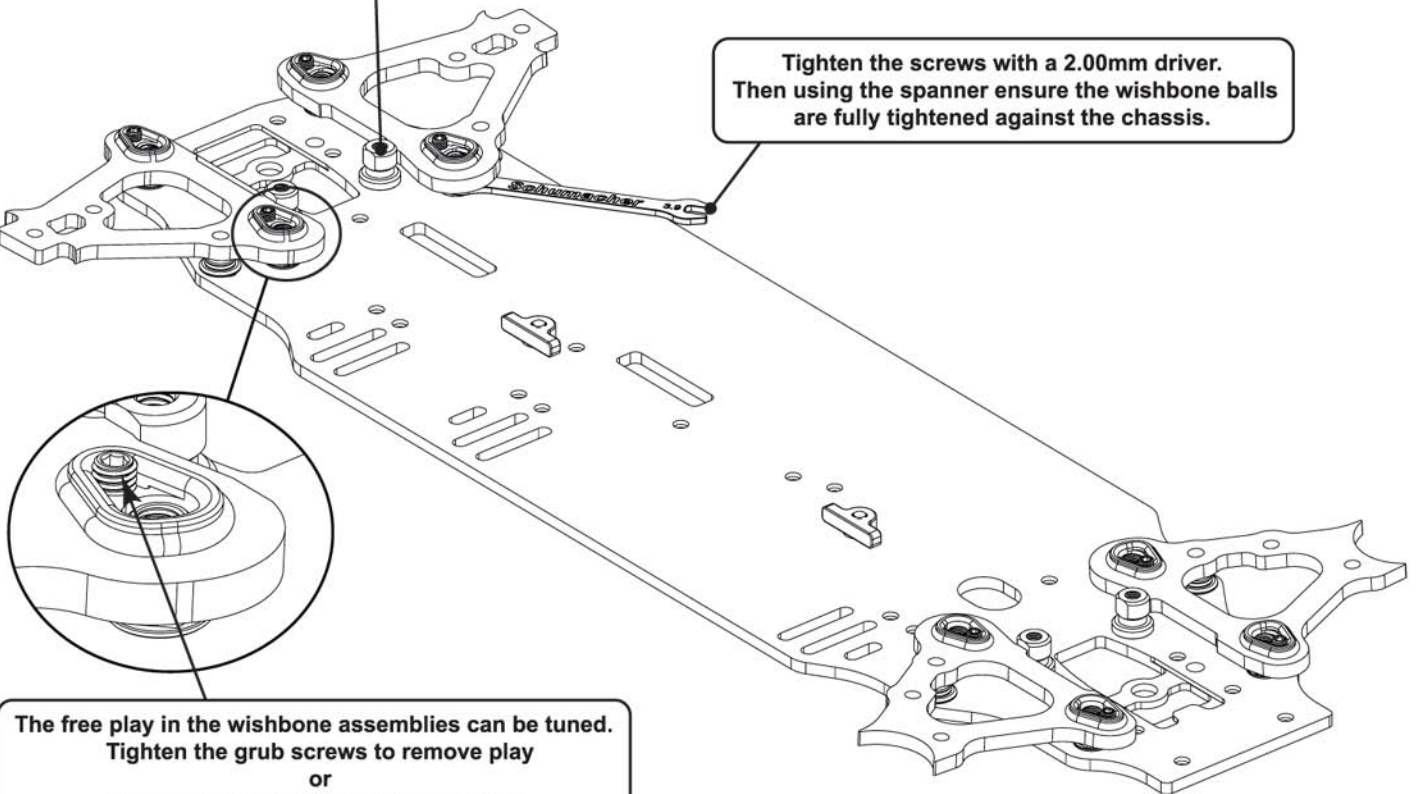
B



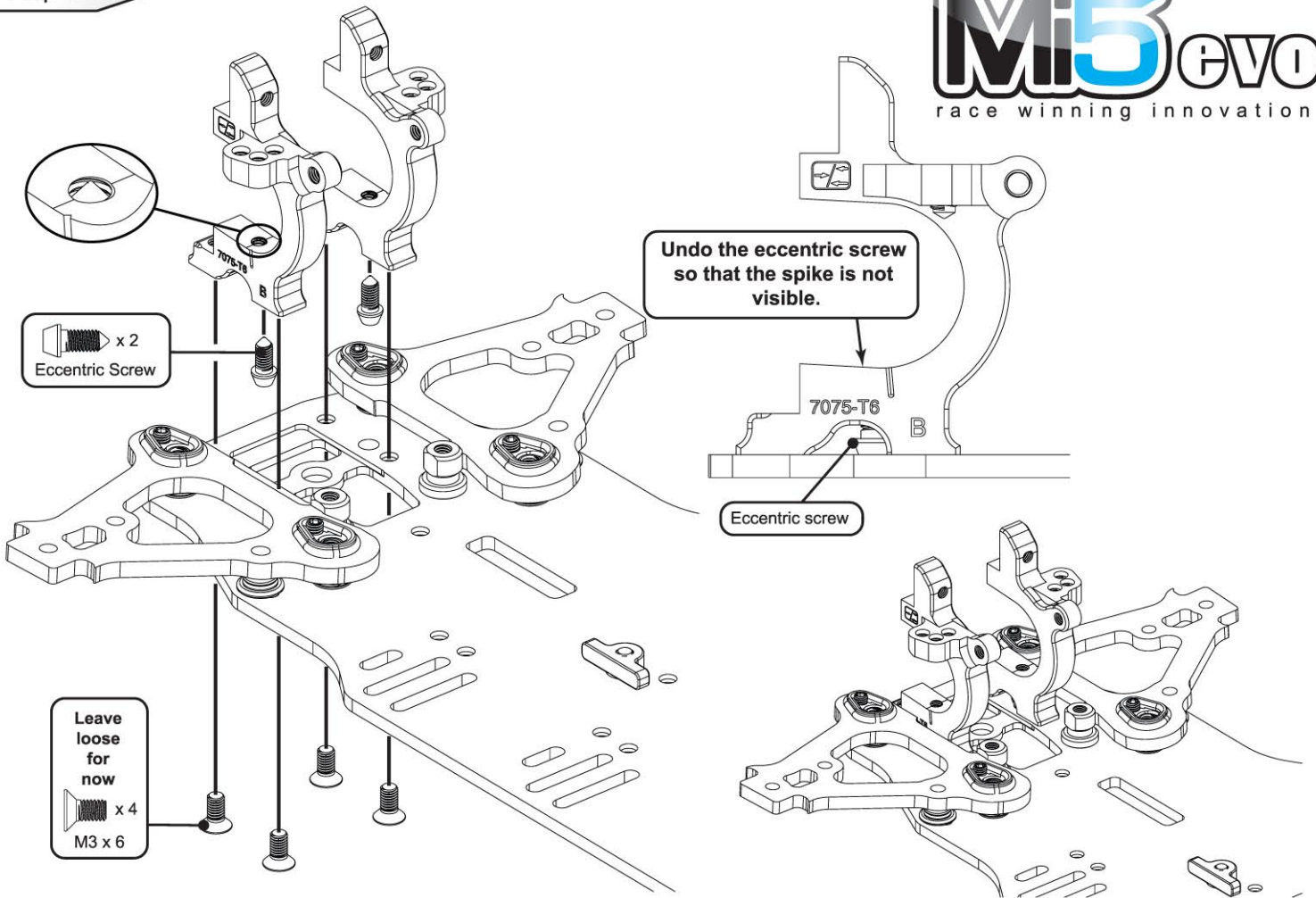
C



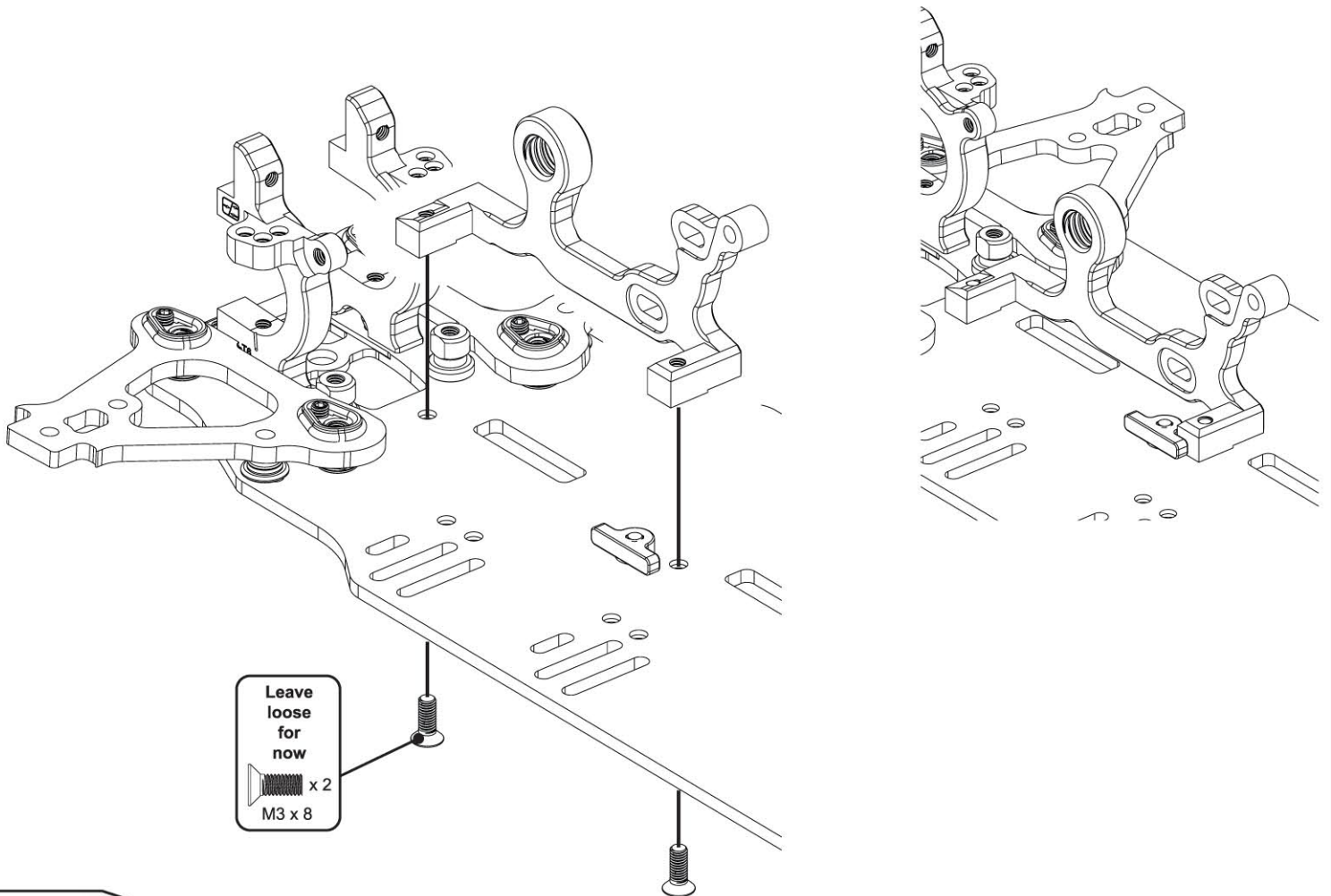
Tighten the screws with a 2.00mm driver. Then using the spanner ensure the wishbone balls are fully tightened against the chassis.



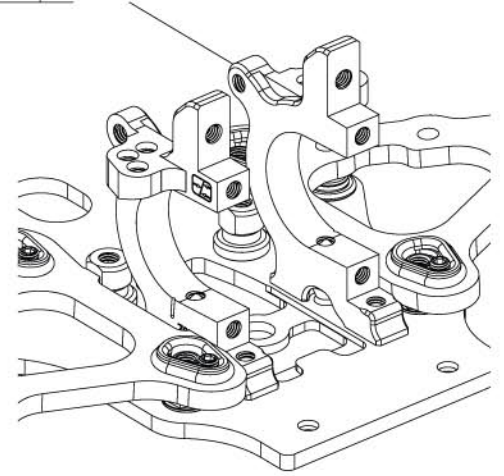
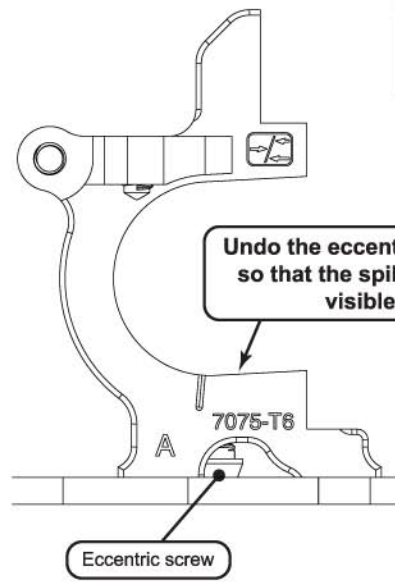
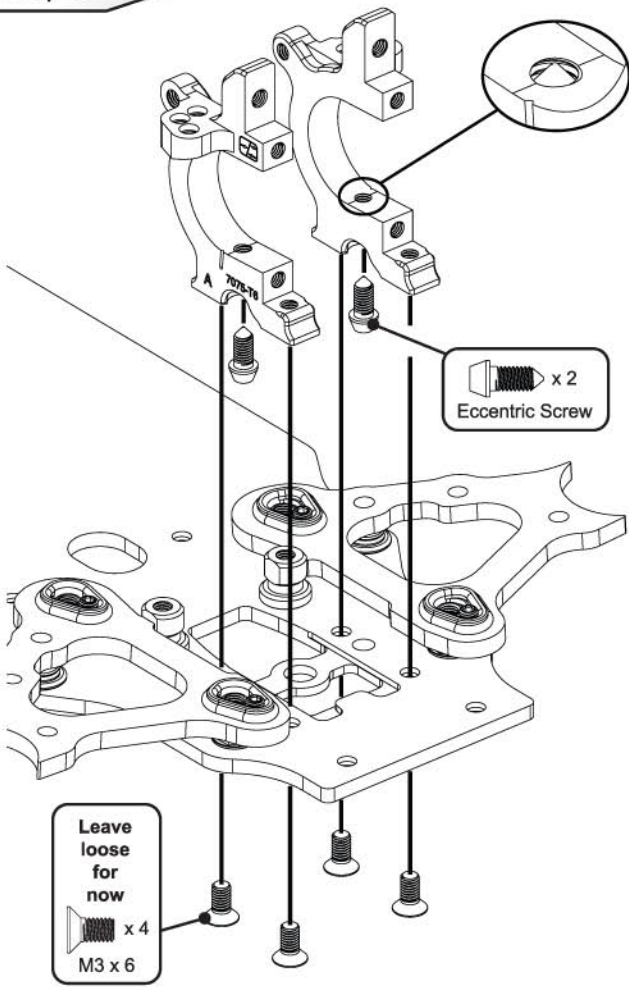
Step 3



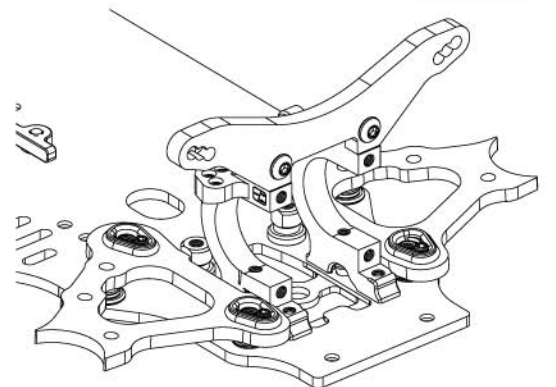
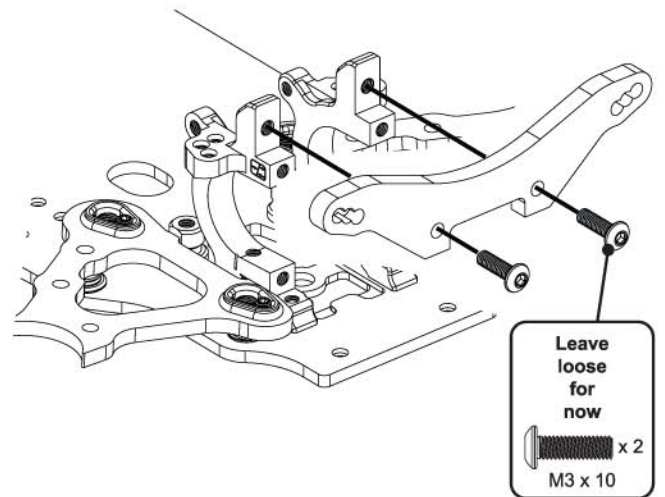
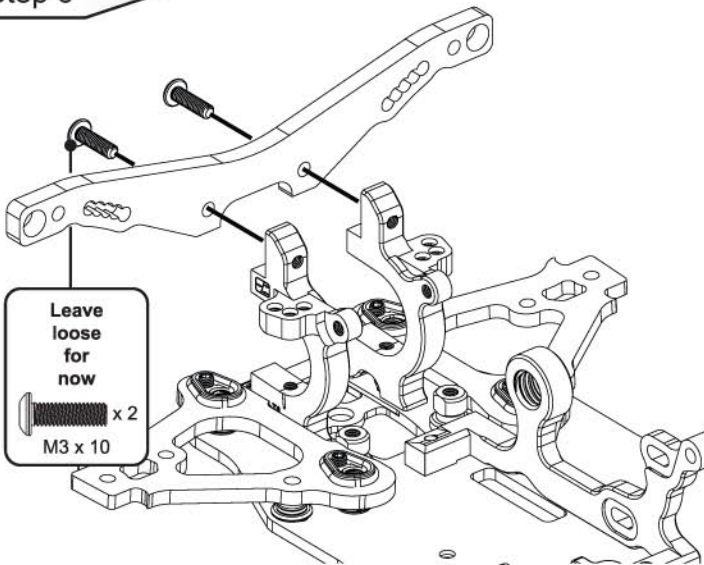
Step 4



Step 5

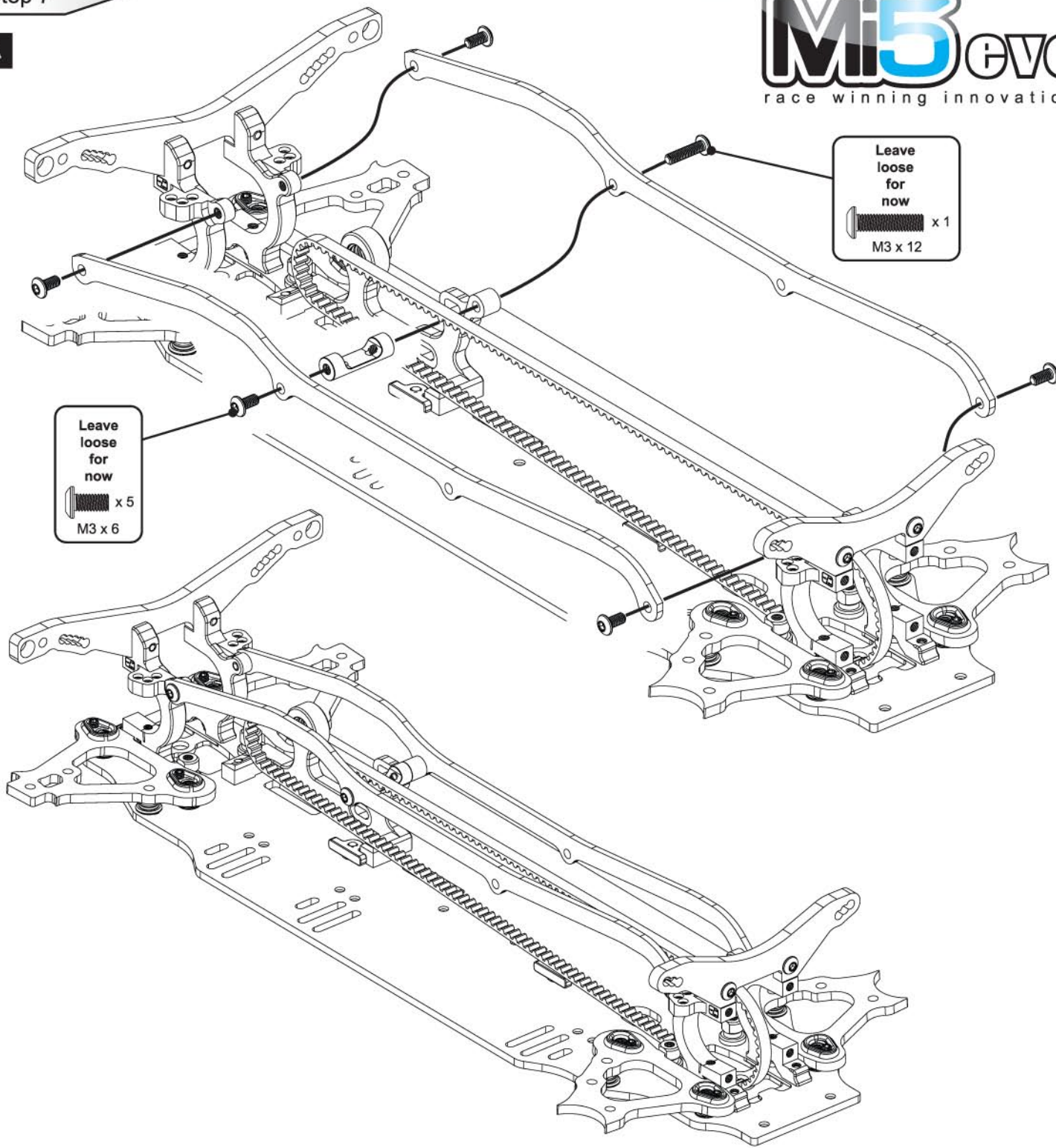


Step 6



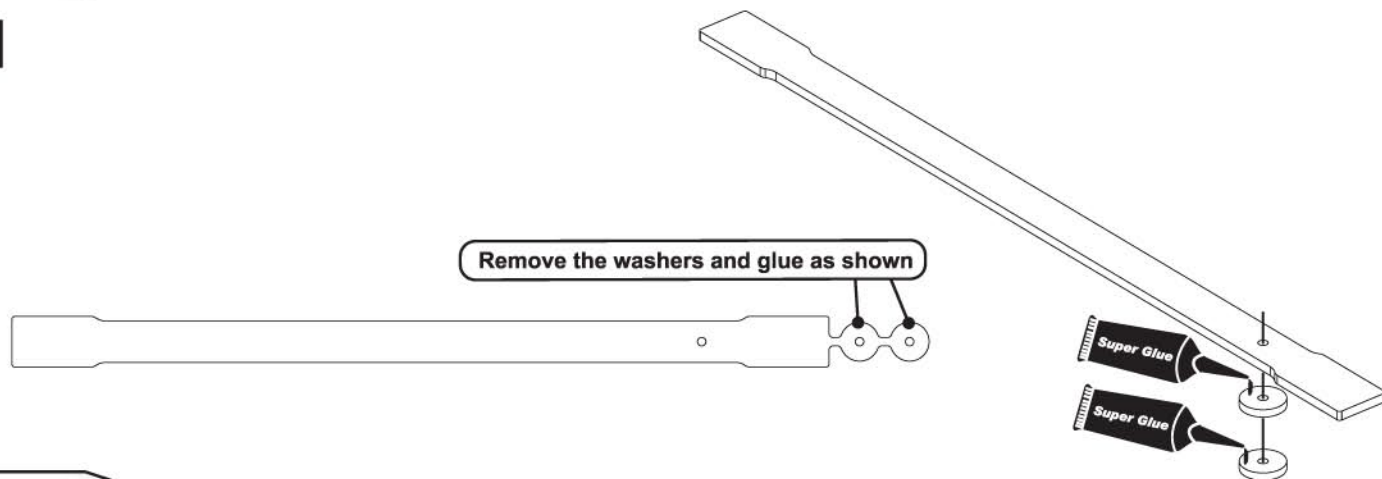
Step 7

A

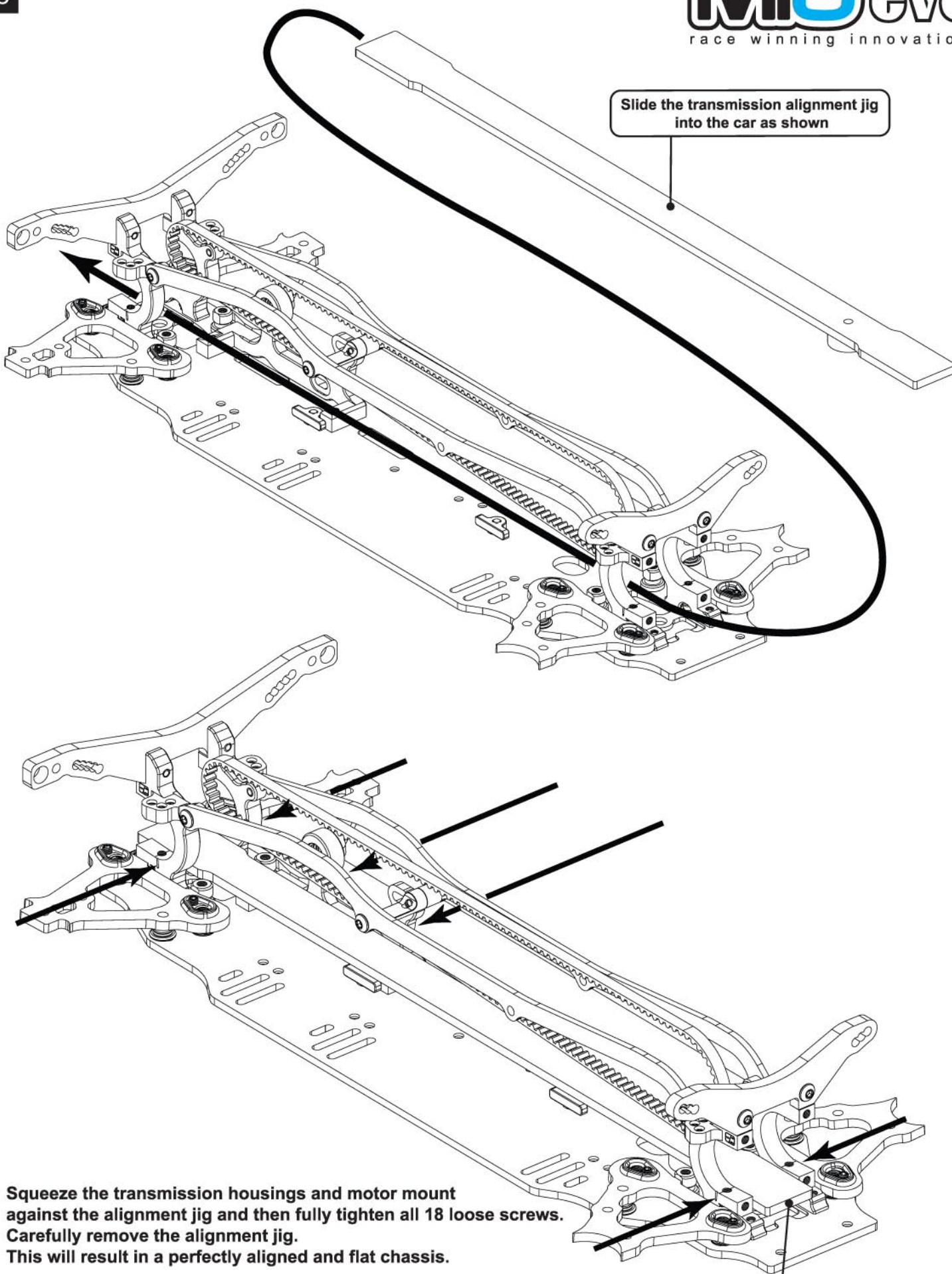


Step 7

B





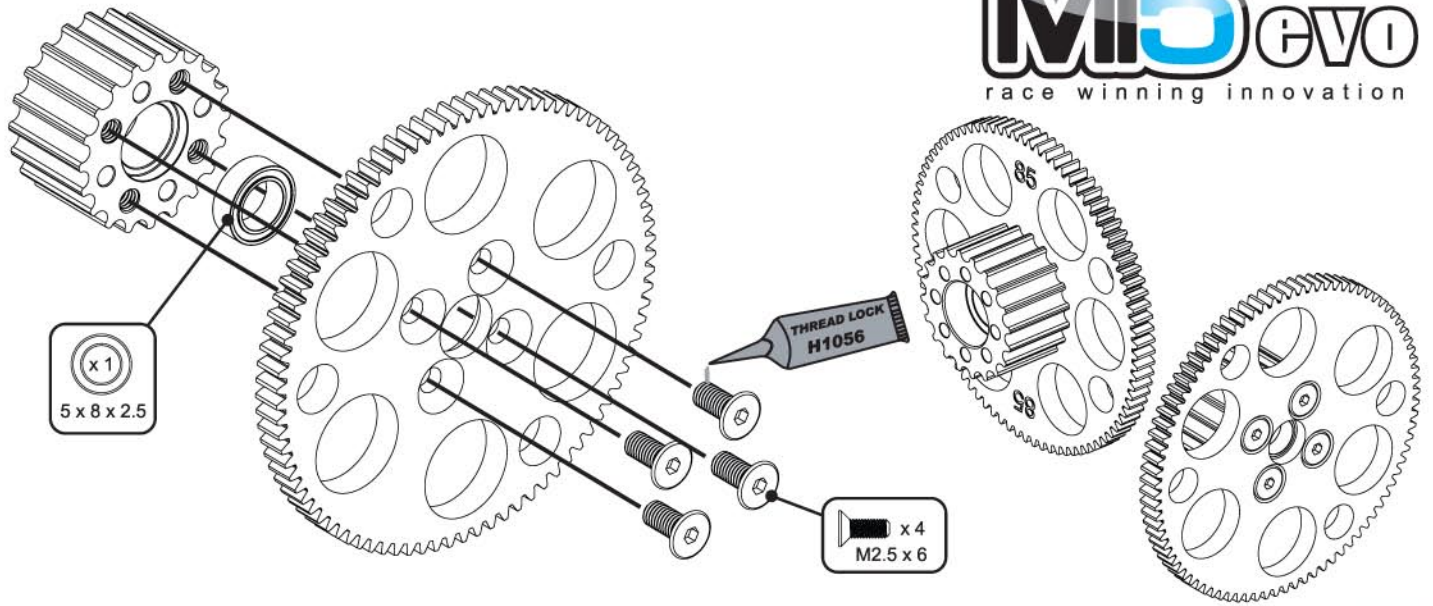


Slide the transmission alignment jig into the car as shown

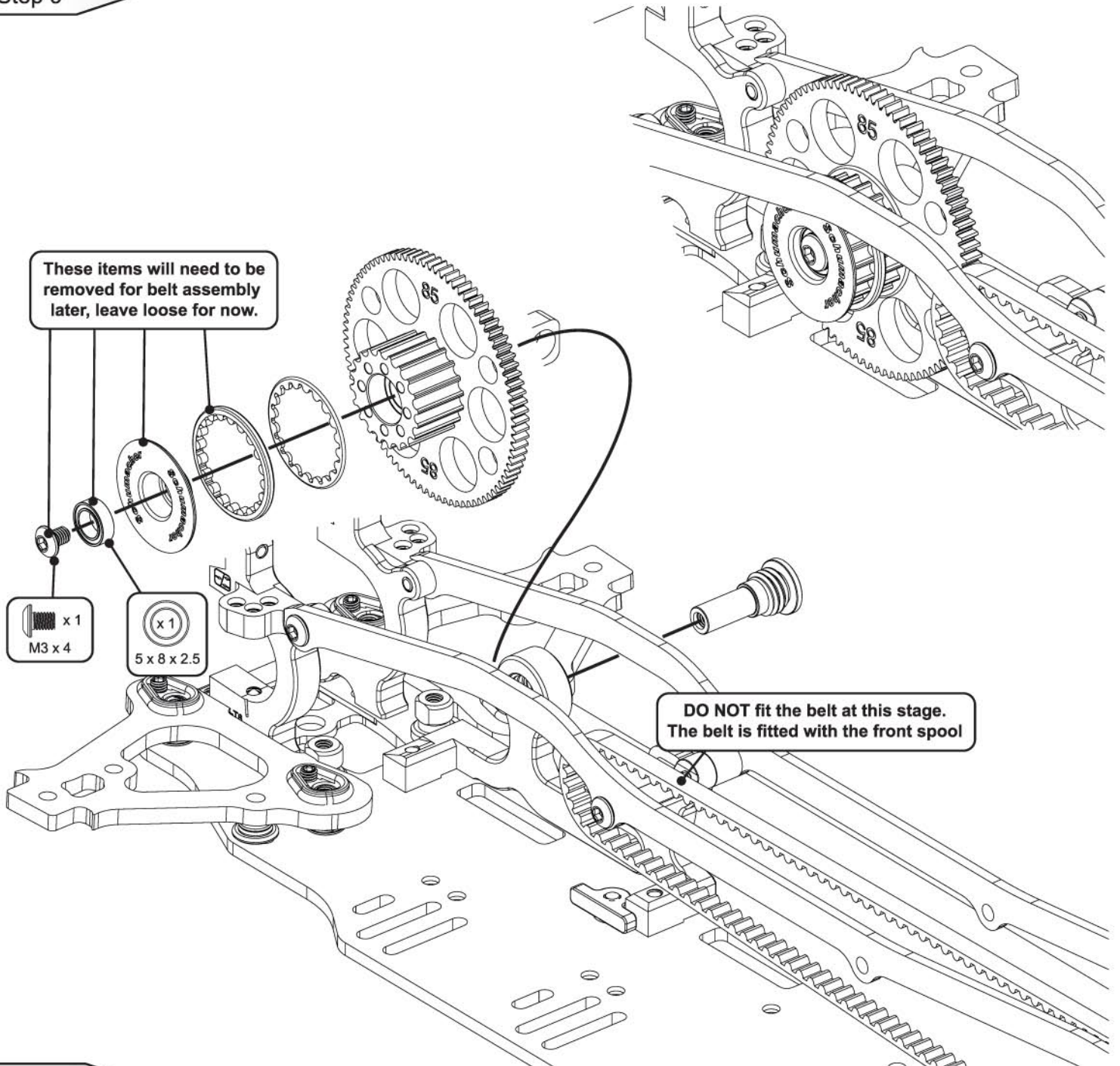
**Squeeze the transmission housings and motor mount against the alignment jig and then fully tighten all 18 loose screws. Carefully remove the alignment jig. This will result in a perfectly aligned and flat chassis.**

The jig should be central between the front and rear transmission housings

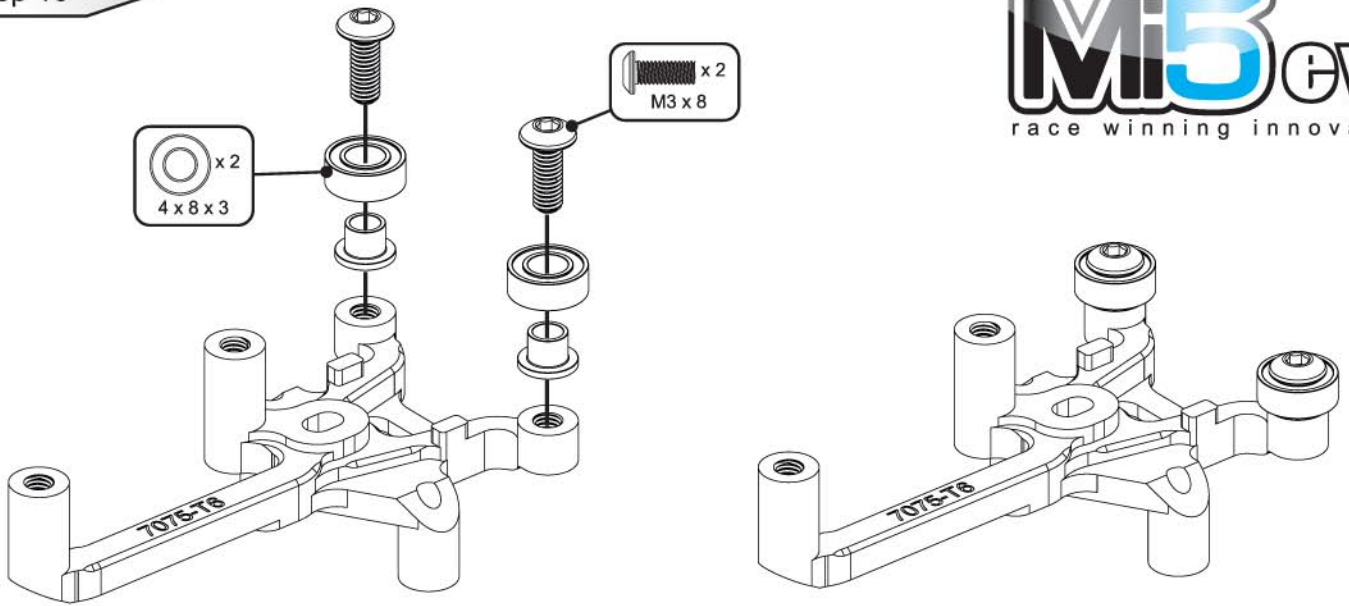
Step 8



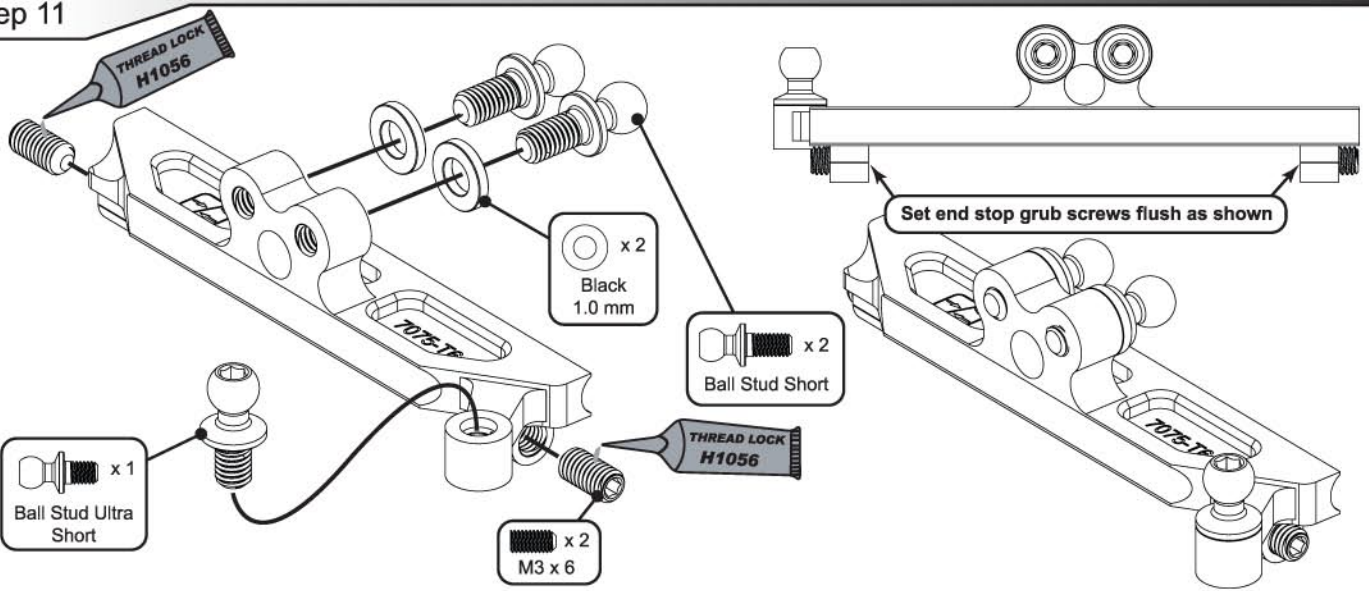
Step 9



Step 10

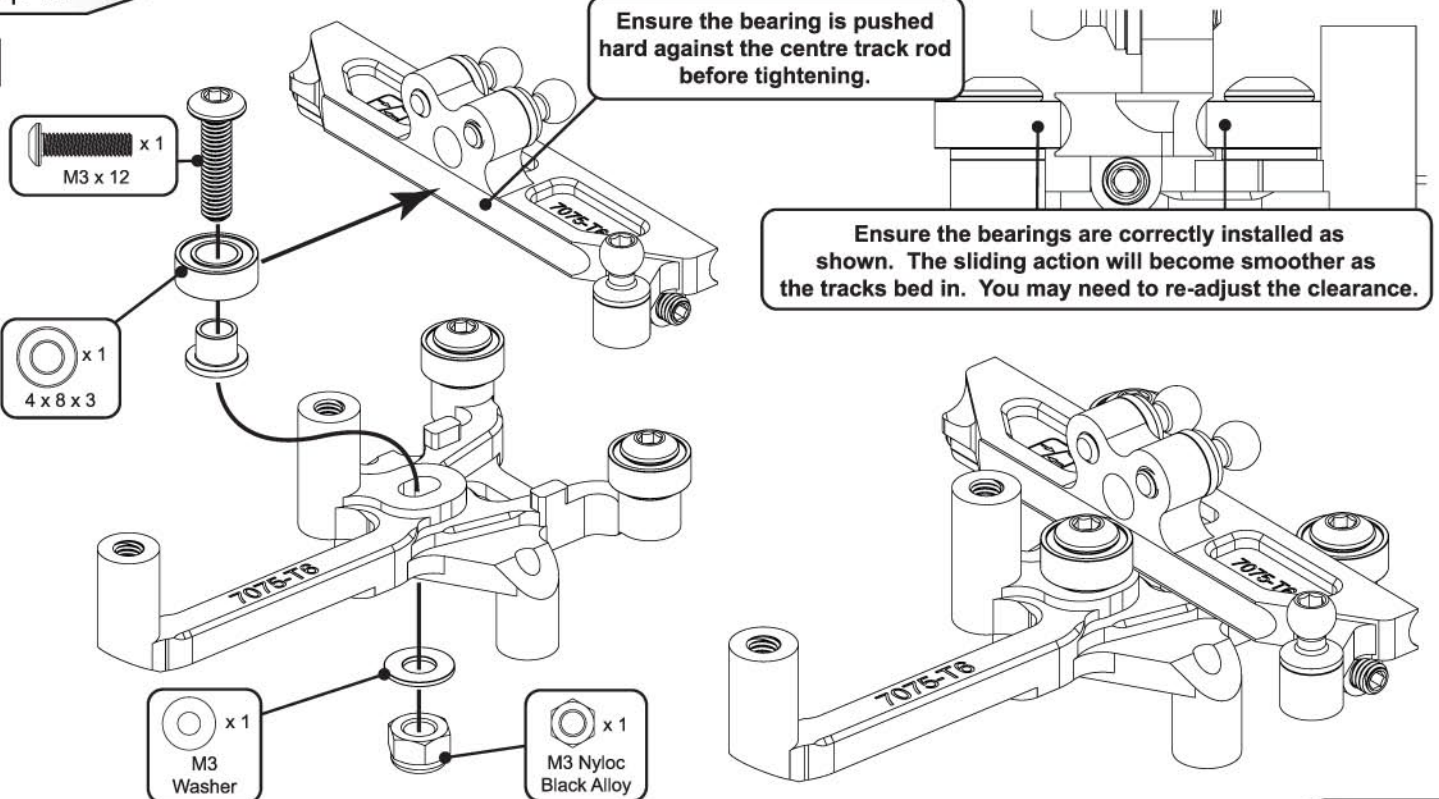


Step 11



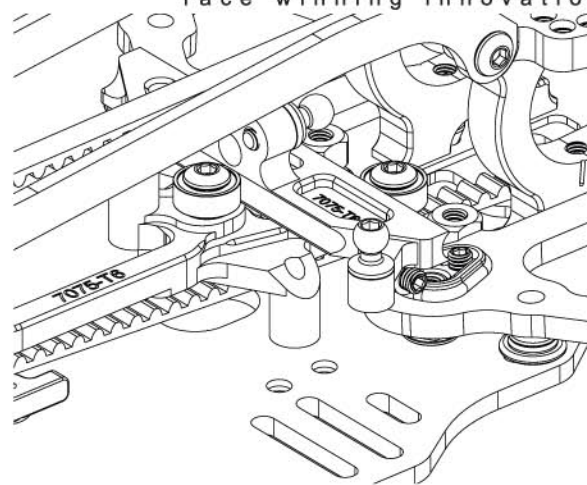
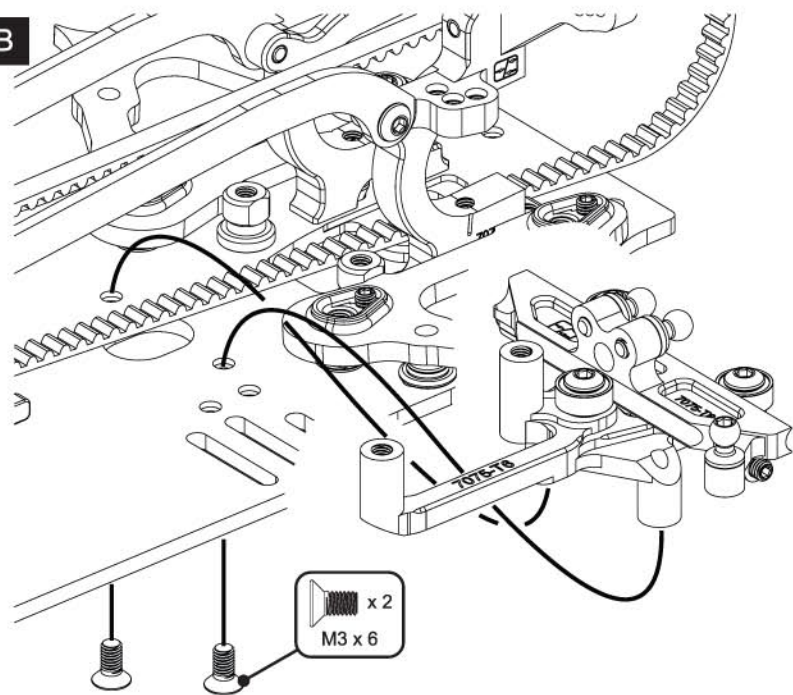
Step 12

A

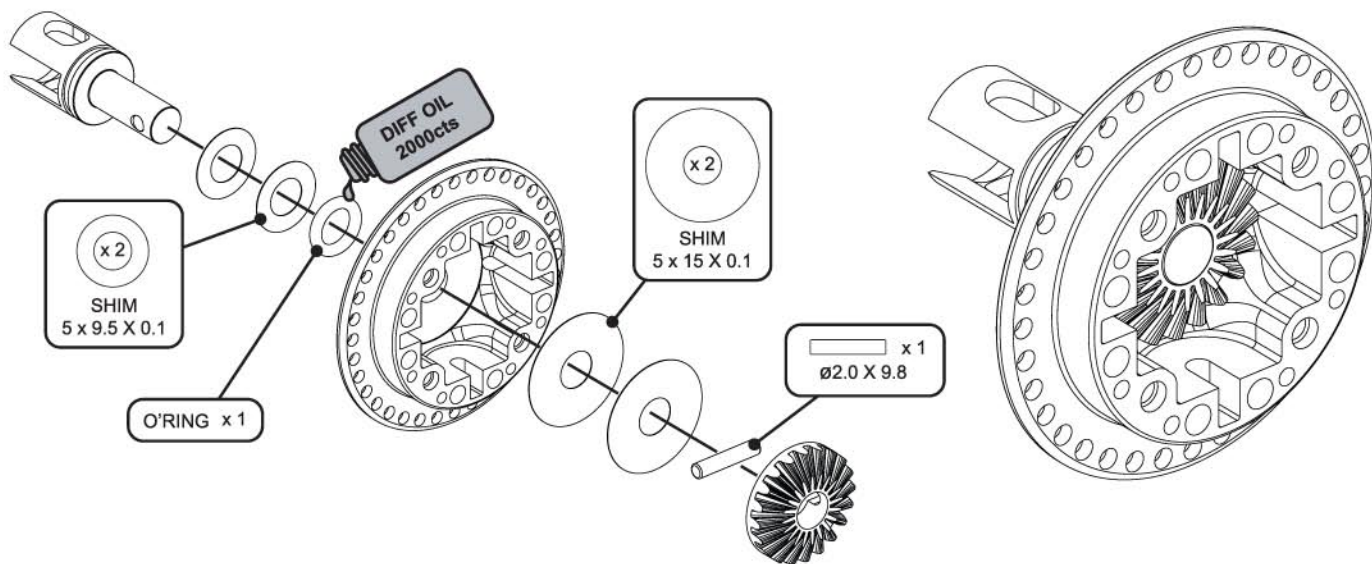


Step 12

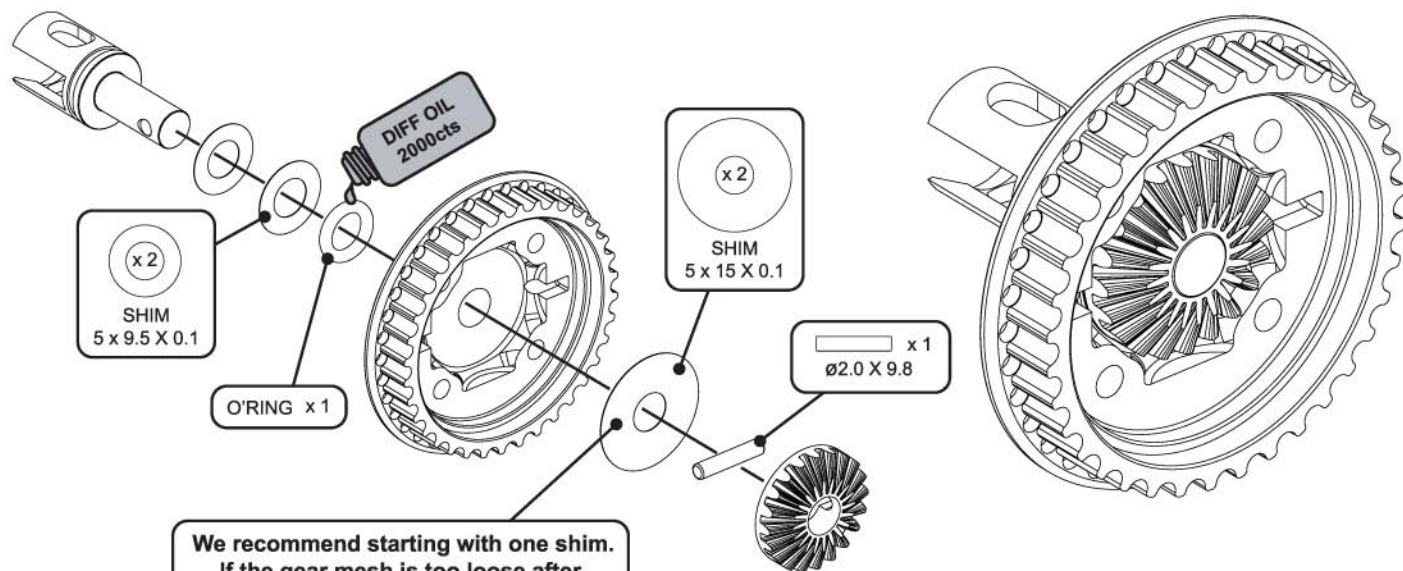
B



Step 13



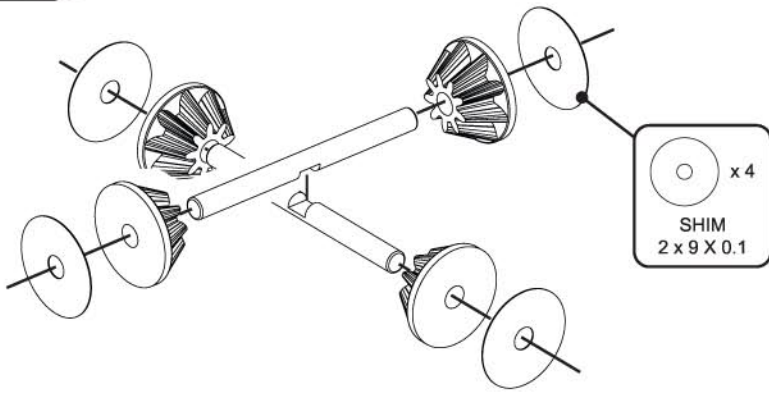
Step 14



We recommend starting with one shim.  
If the gear mesh is too loose after  
Step 15, add another shim.

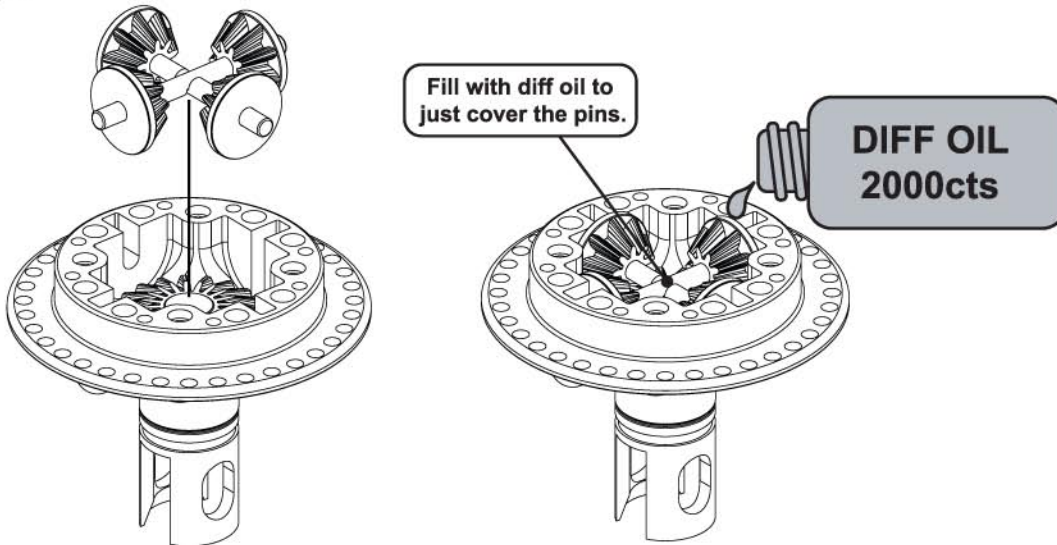
Step 15

A



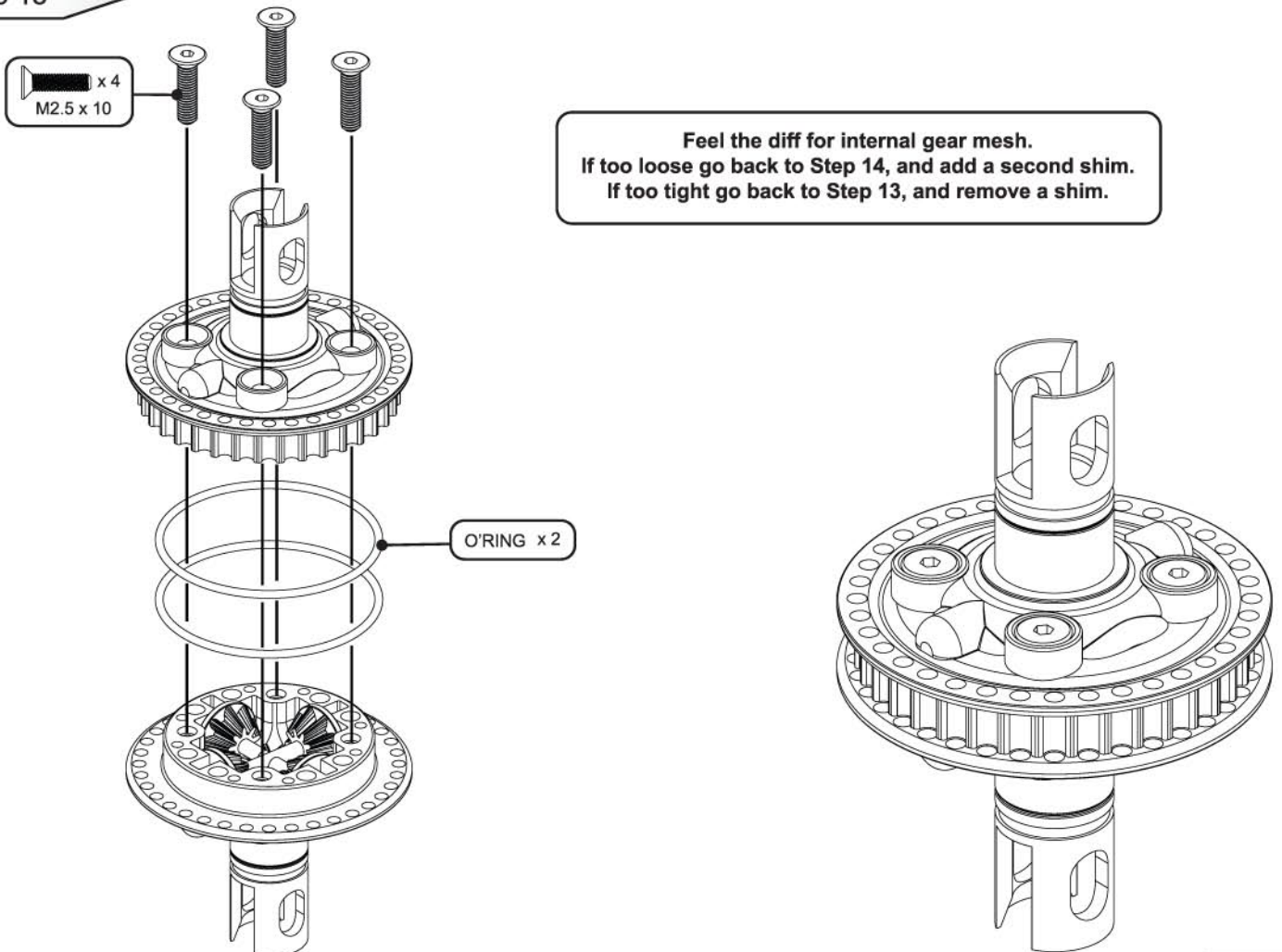
Step 15

B

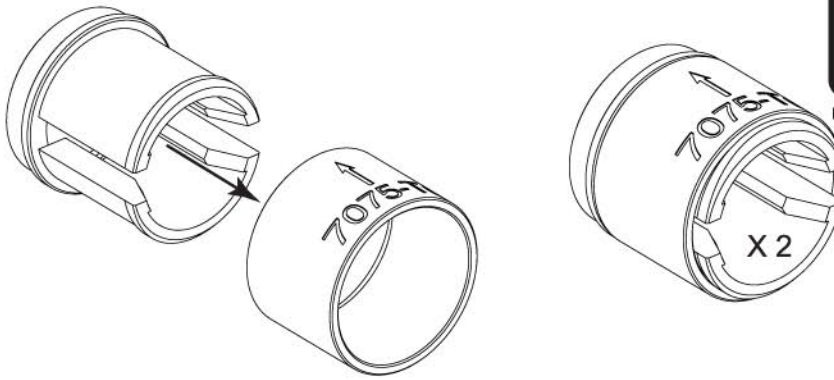


Step 15

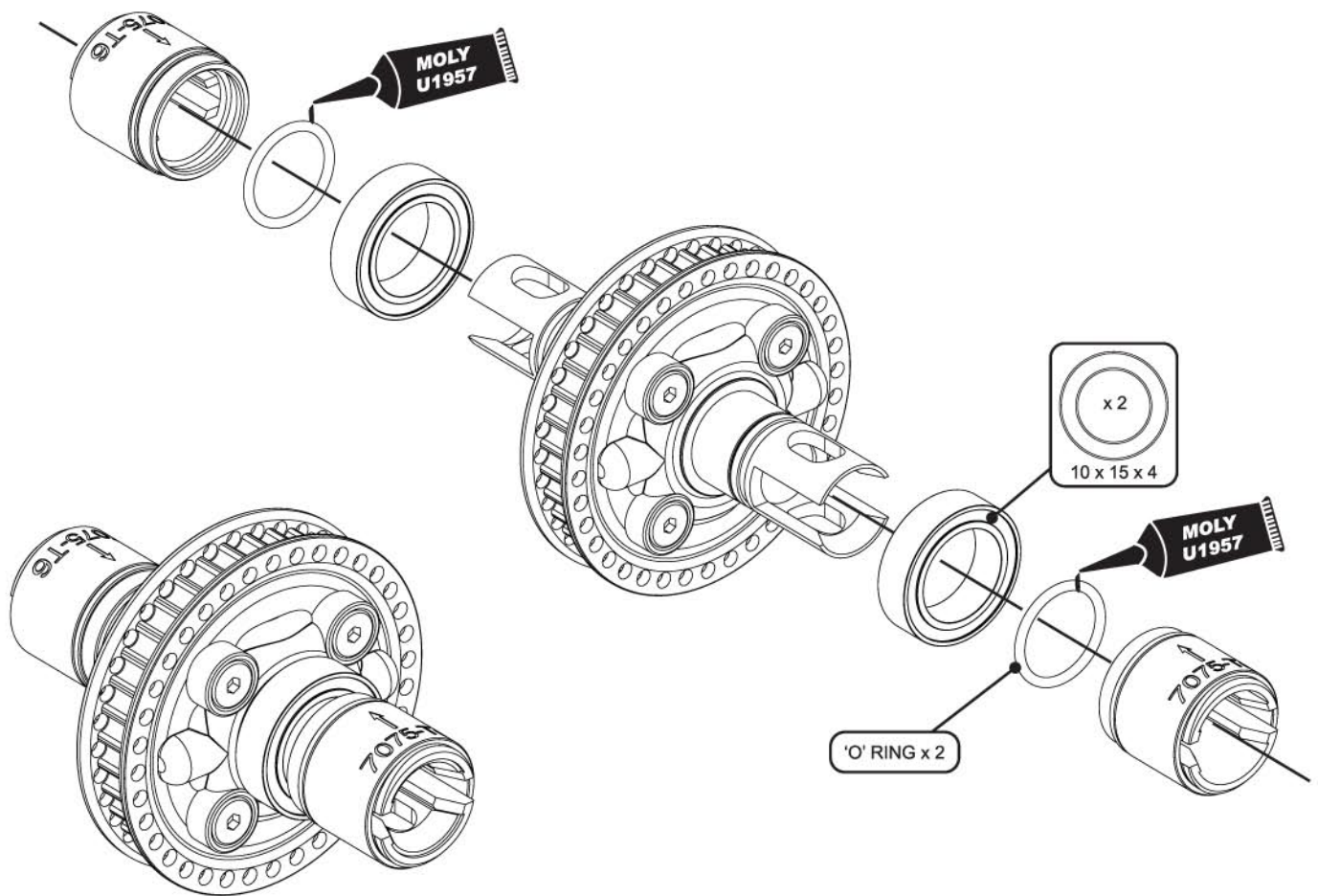
C



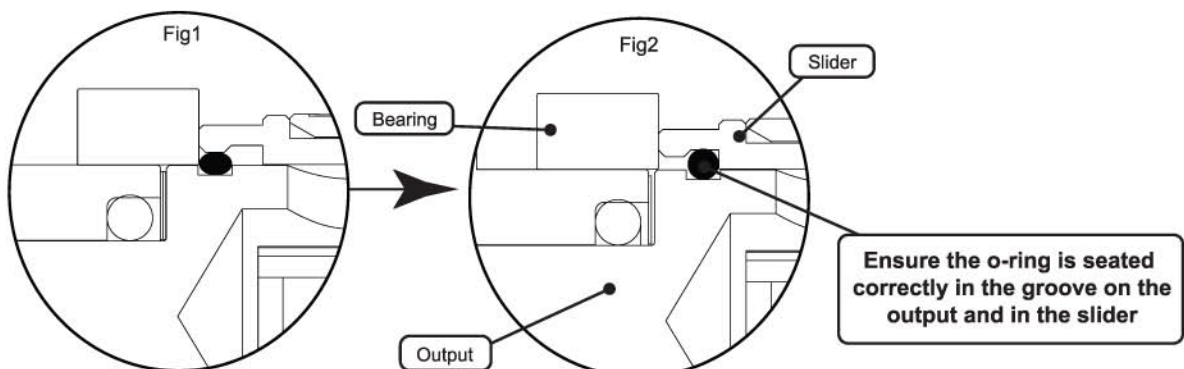
A



B

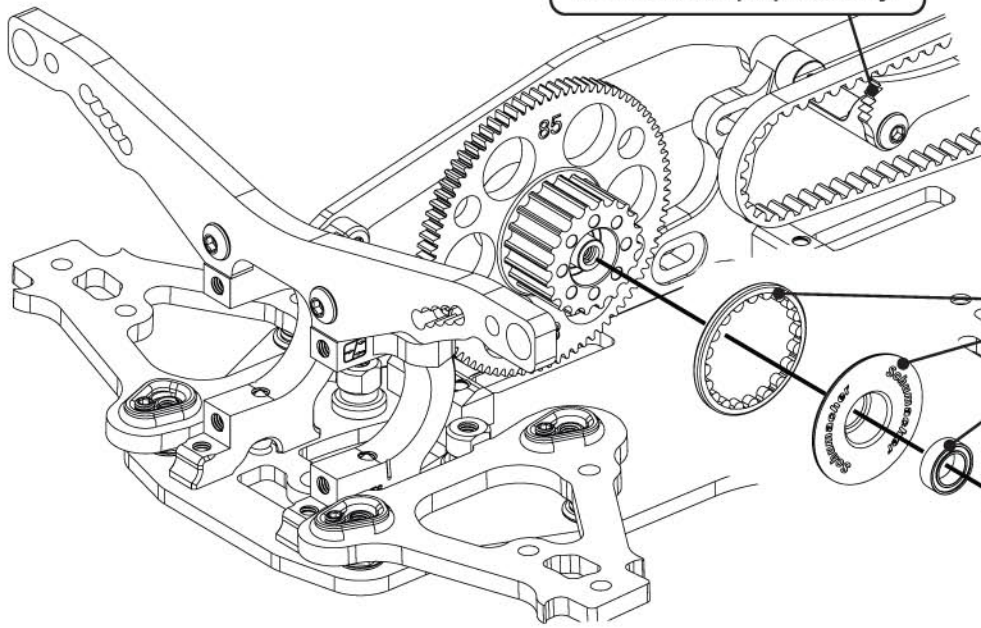


1. Assemble the bearing and o-ring onto the output.
2. Push the bearing firmly against the o-ring and push the slider to touch the bearing (Fig1)
3. With the bearing and slider firmly pressed together finish pressing the slider onto the output until the o-ring is seated correctly (Fig2)



A

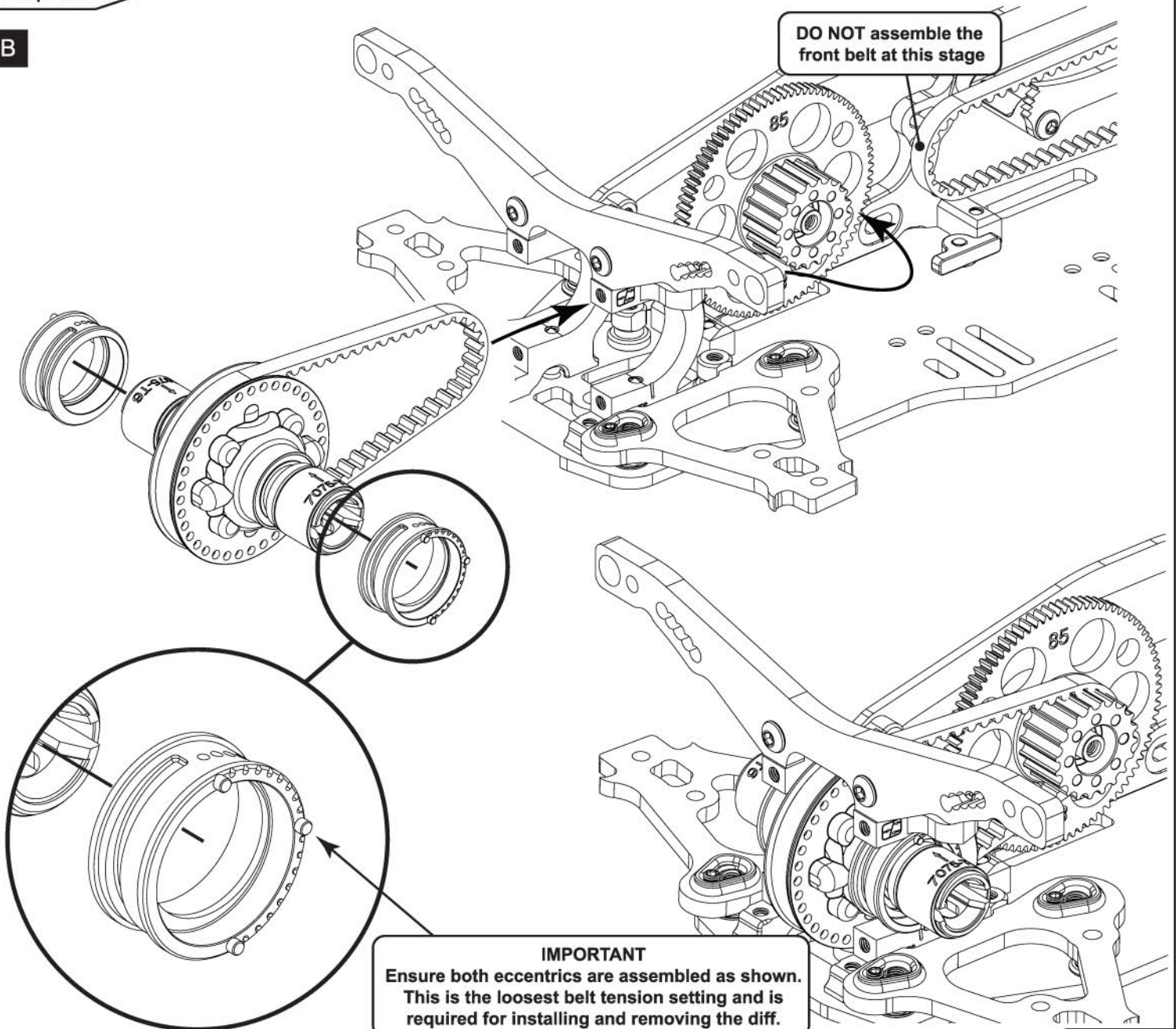
The top deck has been removed for illustration purposes only.



Remove these four items and set them aside for now.

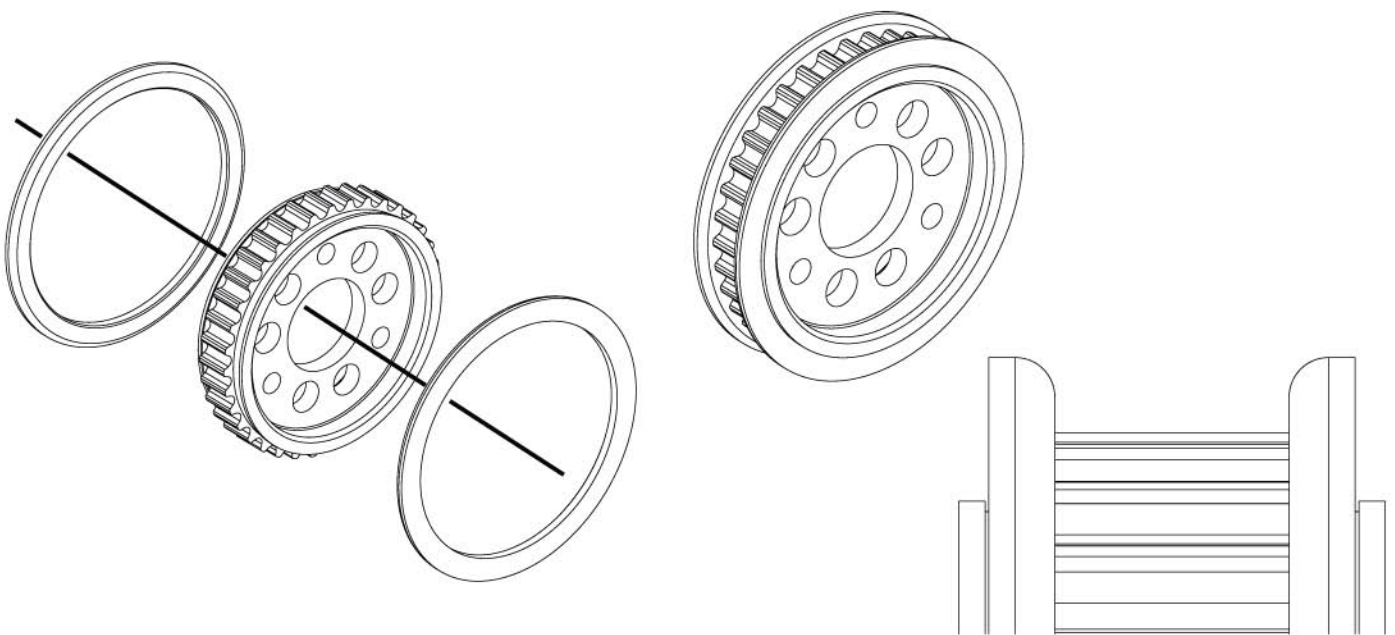
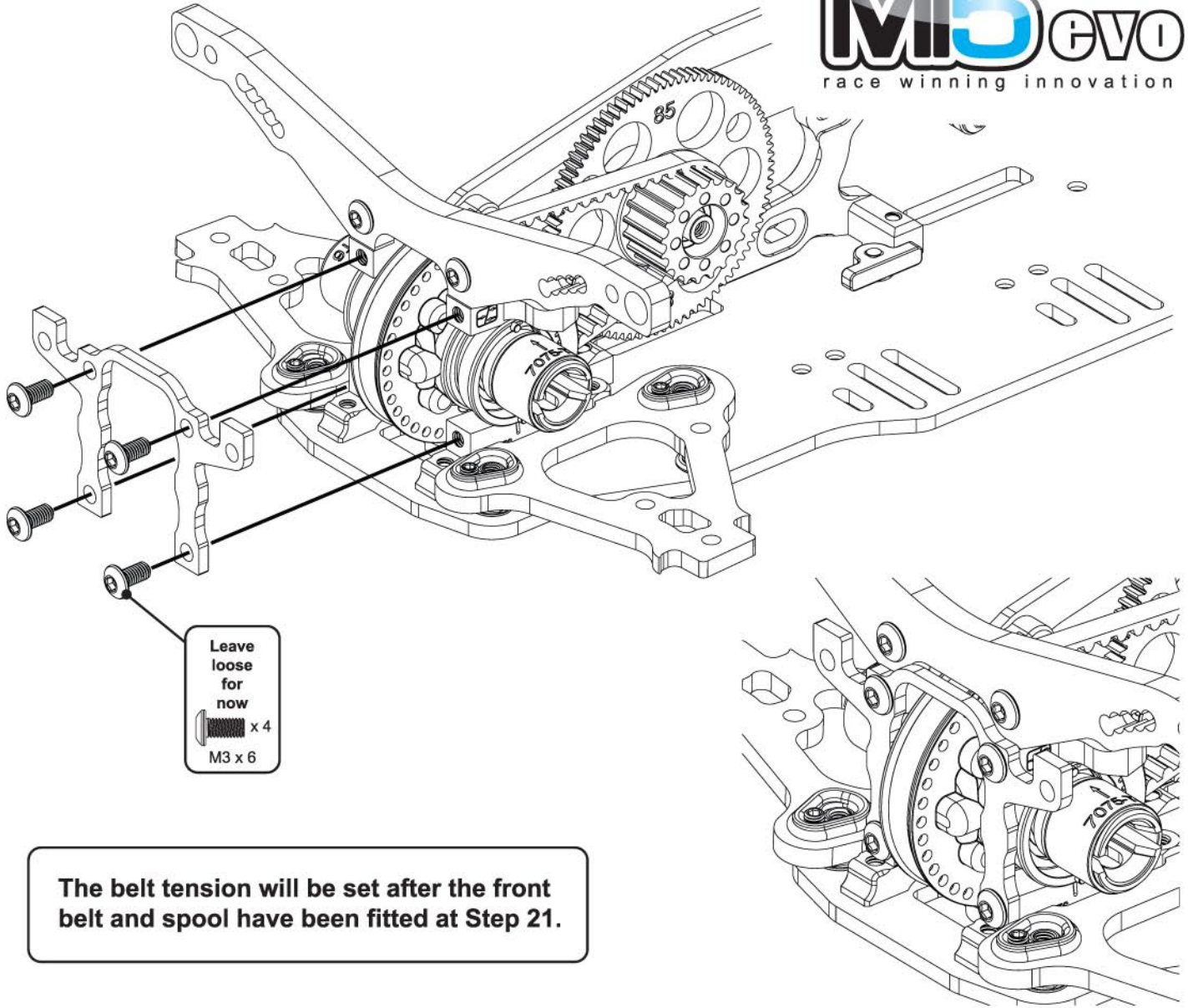
B

DO NOT assemble the front belt at this stage



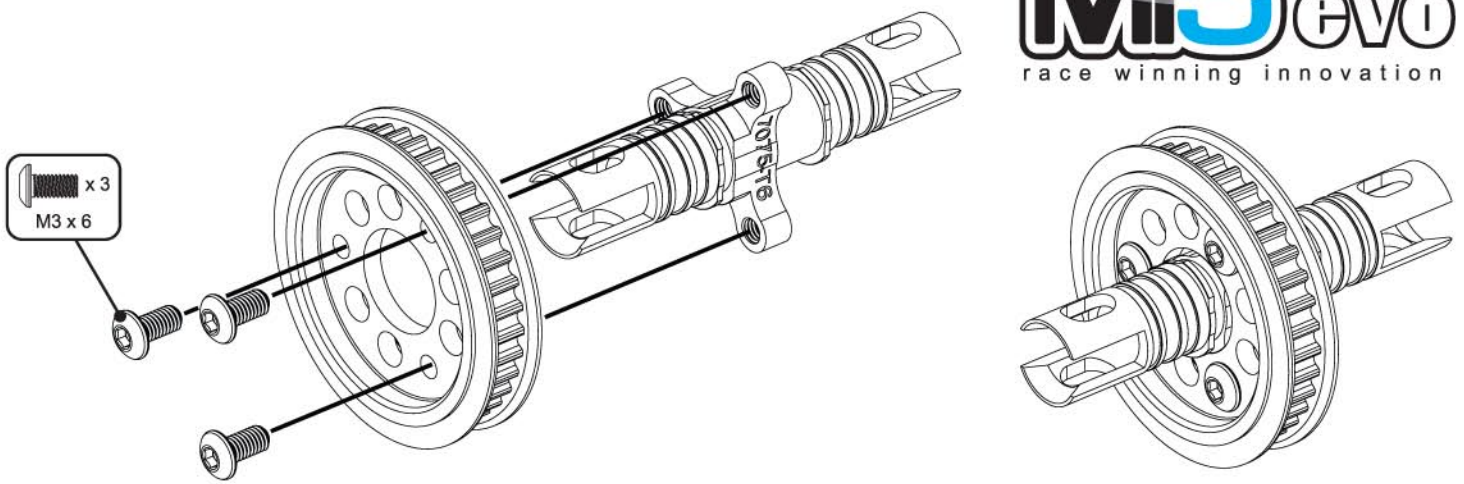
**IMPORTANT**  
Ensure both eccentrics are assembled as shown. This is the loosest belt tension setting and is required for installing and removing the diff.

C

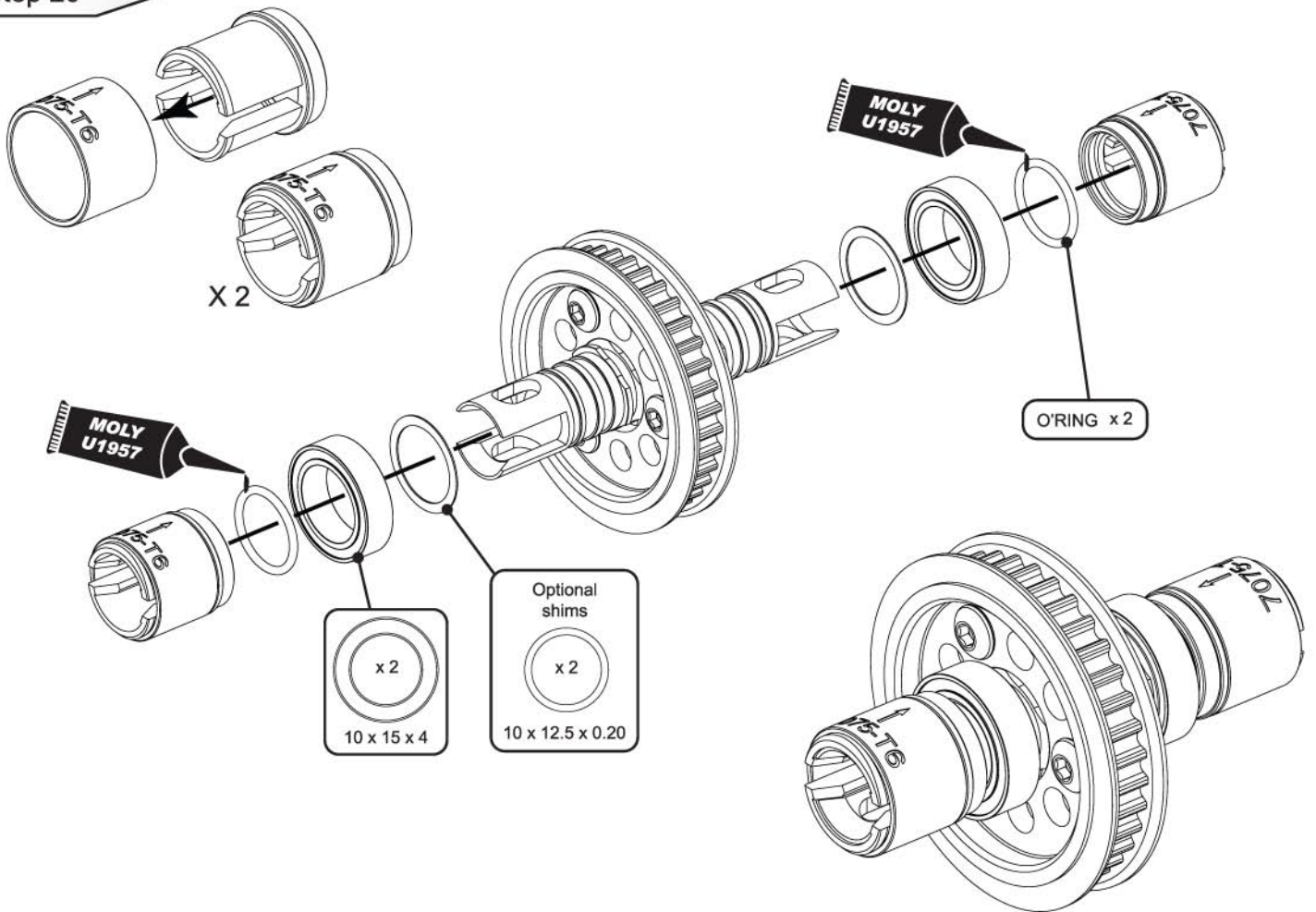




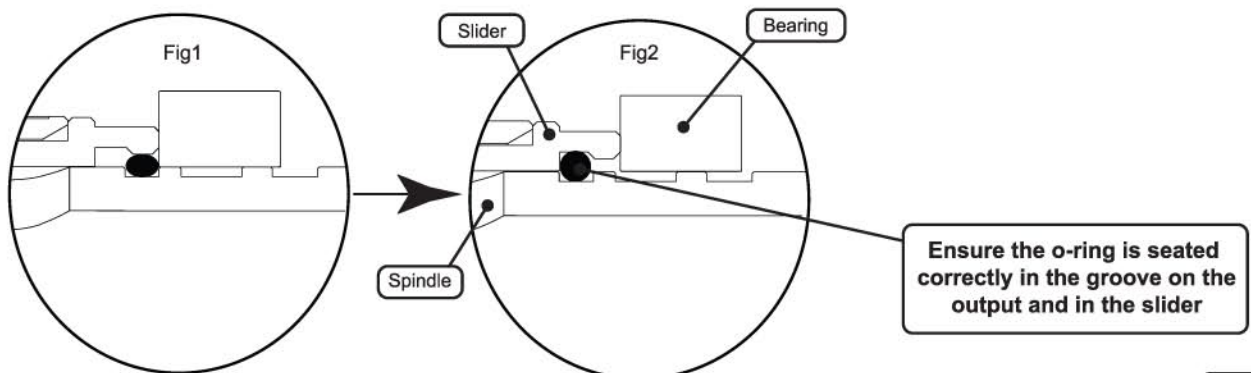
Step 19



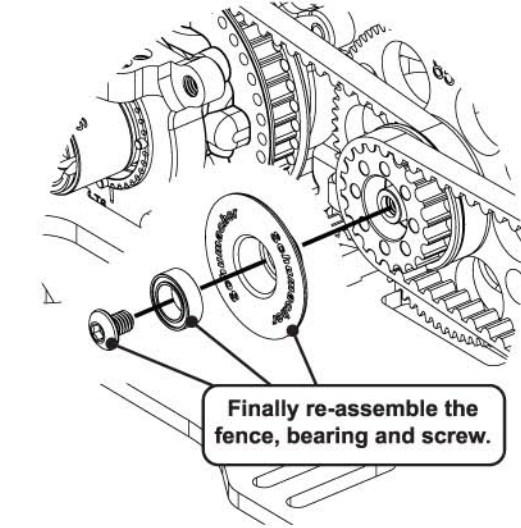
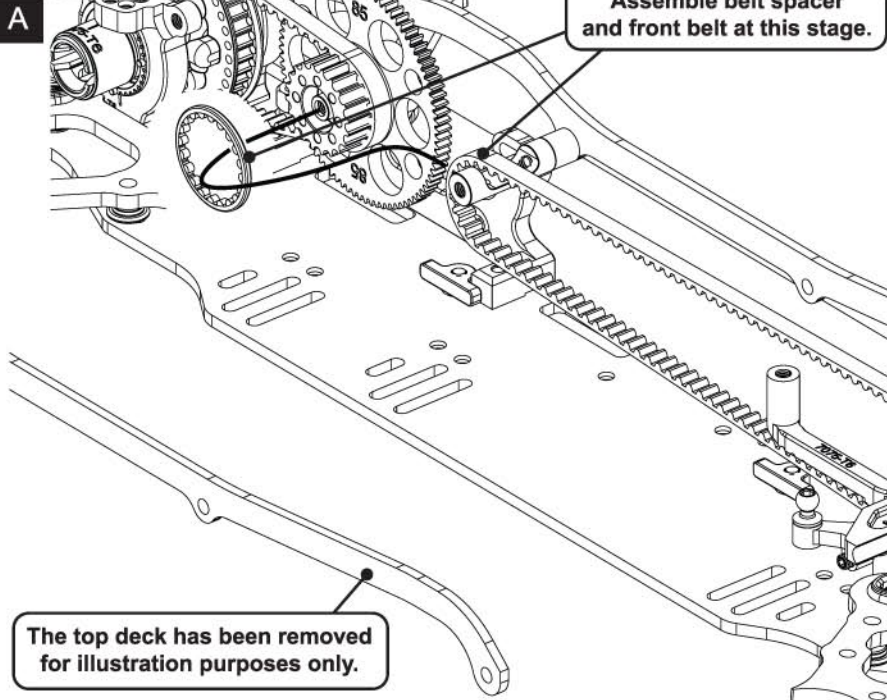
Step 20



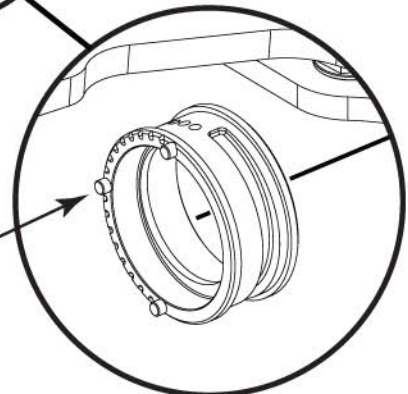
1. Assemble the bearing and o-ring onto the spindle.
2. Push the bearing firmly against the o-ring and push the slider to touch the bearing (Fig1)
3. With the bearing and slider firmly pressed together finish pressing the slider onto the spindle until the o-ring is seated correctly (Fig2)



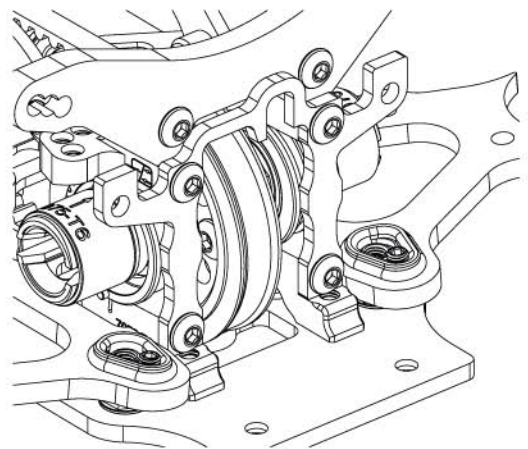
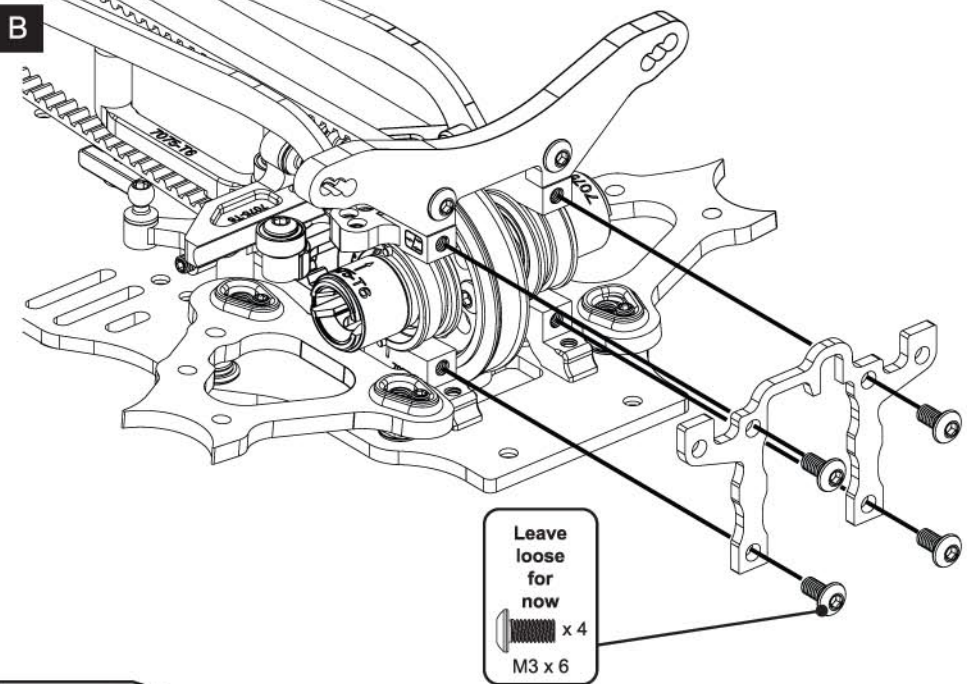
Step 21



**IMPORTANT**  
Ensure both eccentrics are assembled as shown. This is the loosest belt tension setting and is required for installing and removing the spool.



Step 21



**Rear belt tension**

Tighten all four screws after setting belt tension.

Tighter belt tension

Looser belt tension

Lock the eccentric setting with the eccentric screw.  
**IMPORTANT**  
Only tighten this screw when indents on the eccentrics and housings line up.

Mid belt tension adjustment is when the central pip on the eccentric lines up with the line on the transmission housing.

**Front belt tension**

Tighten all four screws after setting belt tension.

Tighter belt tension

Looser belt tension

Mid belt tension adjustment is when the central pip on the eccentric lines up with the line on the transmission housing.

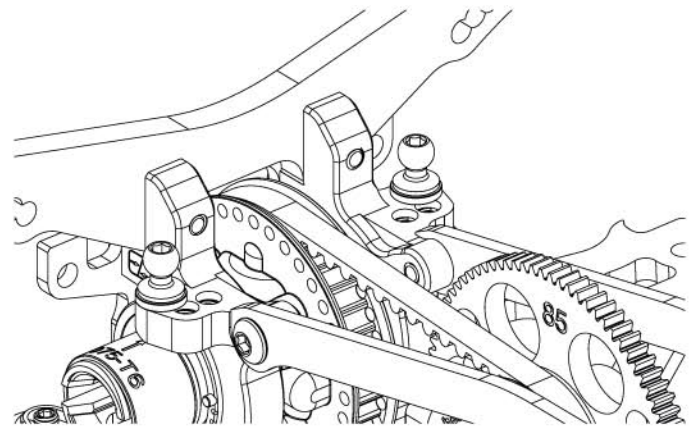
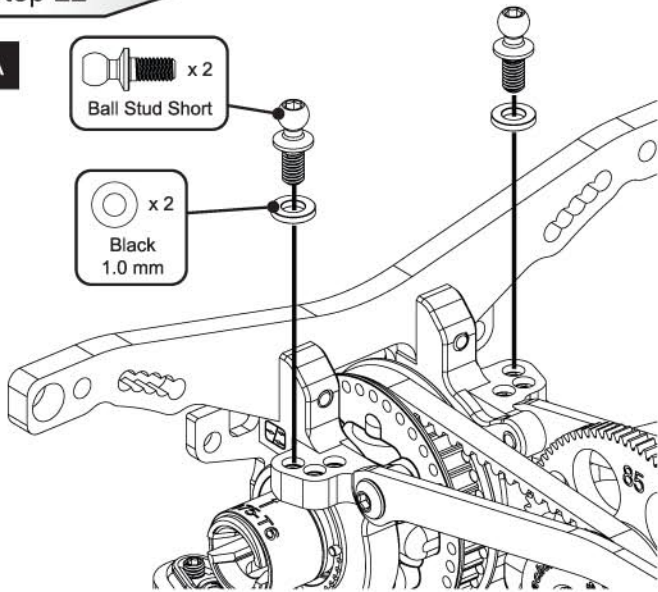
Lock the eccentric setting with the eccentric screw.  
**IMPORTANT**  
Only tighten this screw when indents on the eccentrics and housings line up.

Step 22

A

Ball Stud Short x 2

x 2  
Black  
1.0 mm

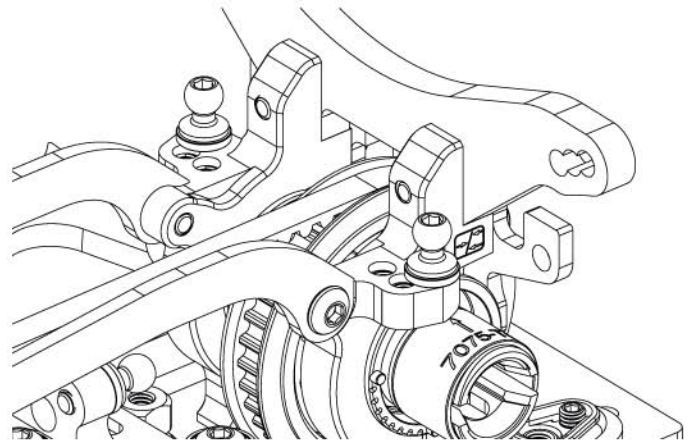
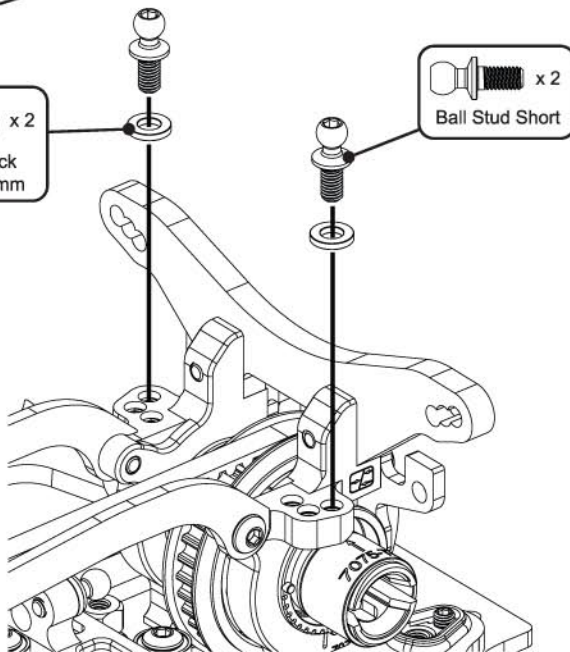


Step 22

B

x 2  
Black  
1.0 mm

Ball Stud Short x 2

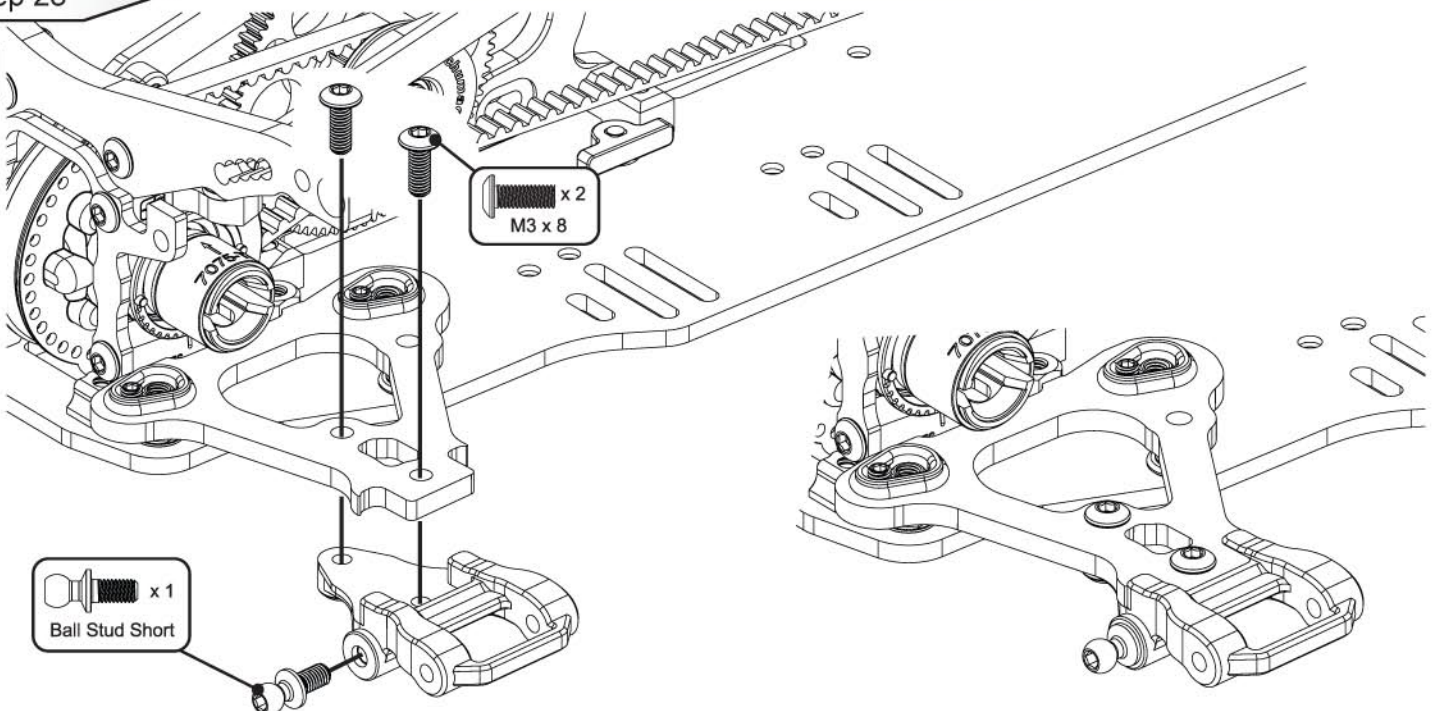


Step 23

A

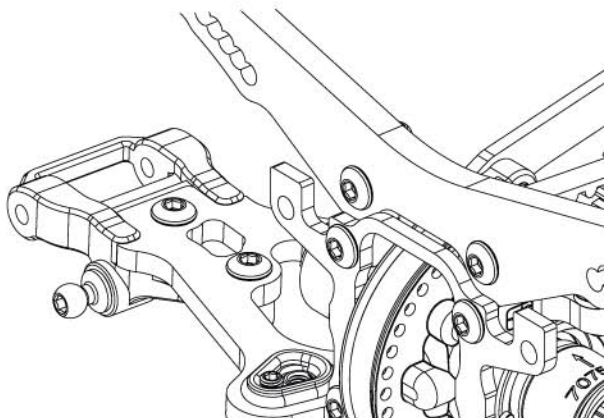
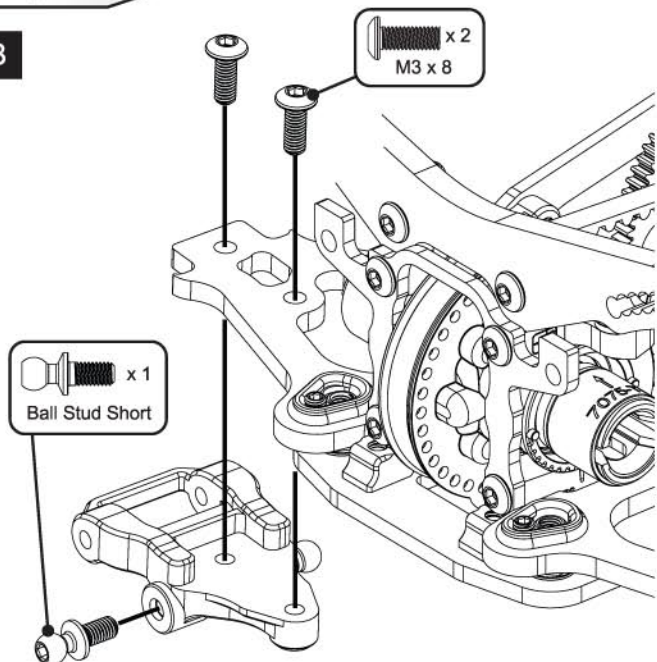
x 2  
M3 x 8

x 1  
Ball Stud Short



Step 23

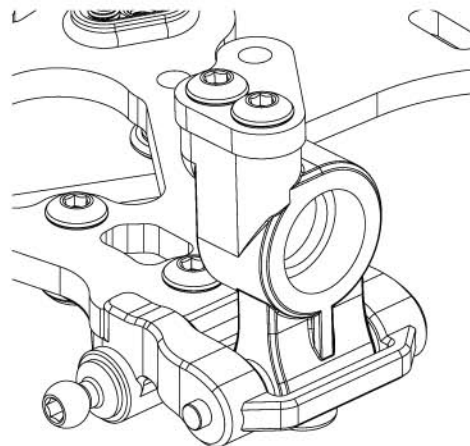
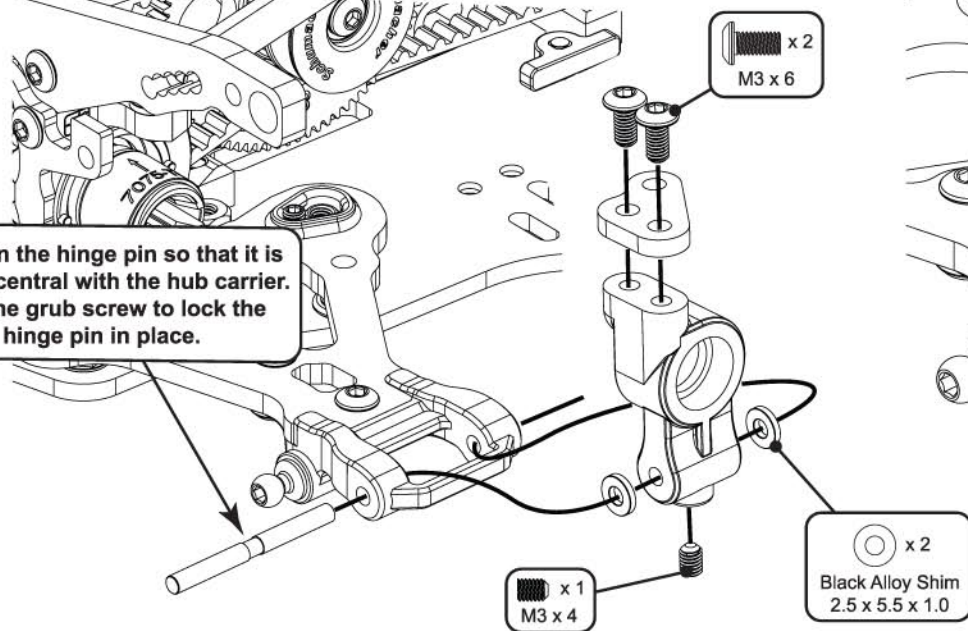
**B**



Step 24

**A**

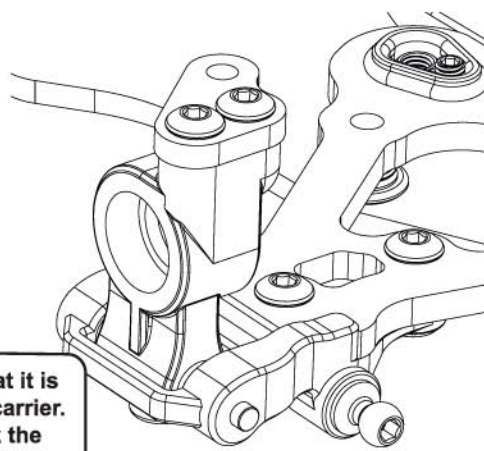
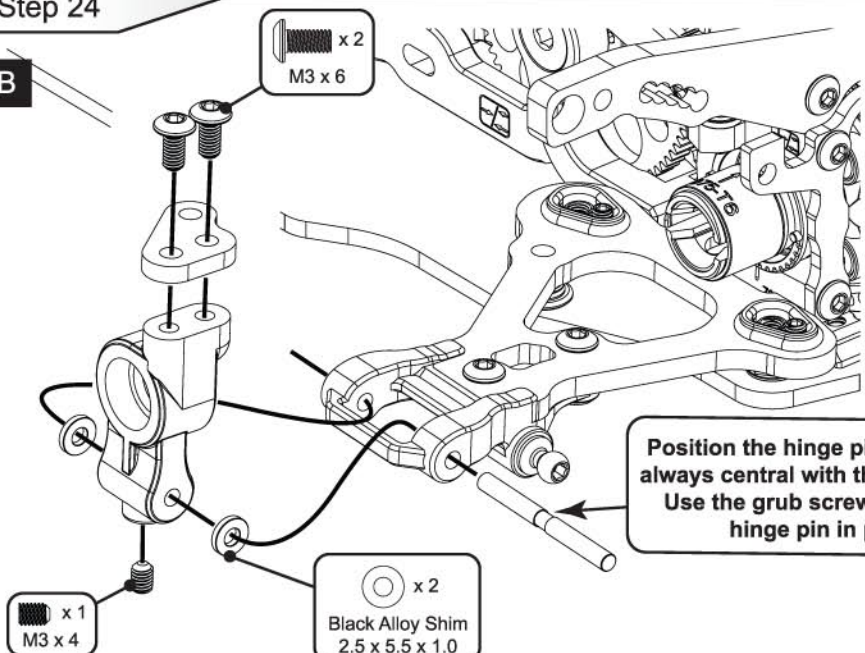
Position the hinge pin so that it is always central with the hub carrier. Use the grub screw to lock the hinge pin in place.



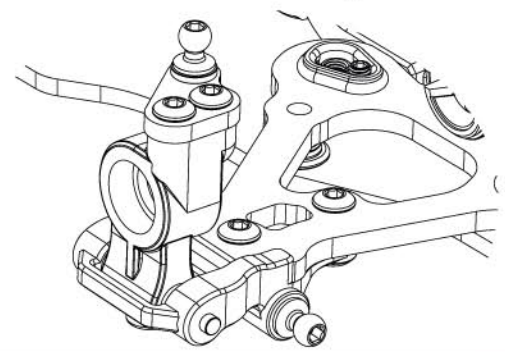
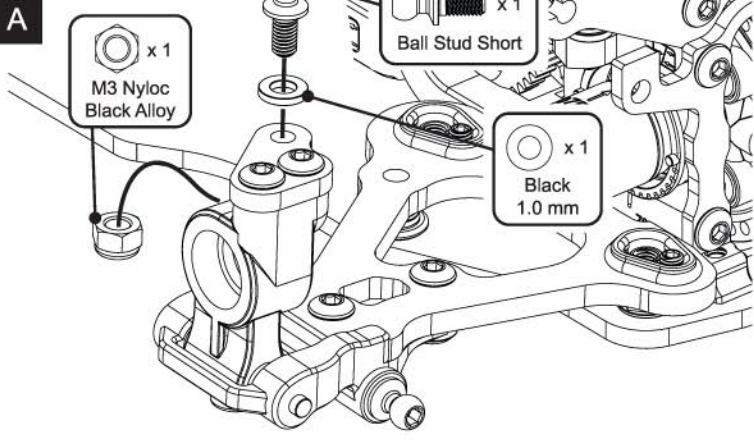
Step 24

**B**

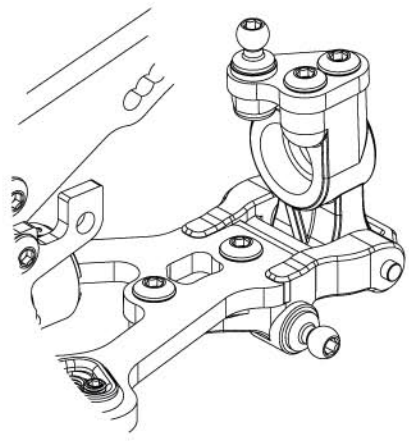
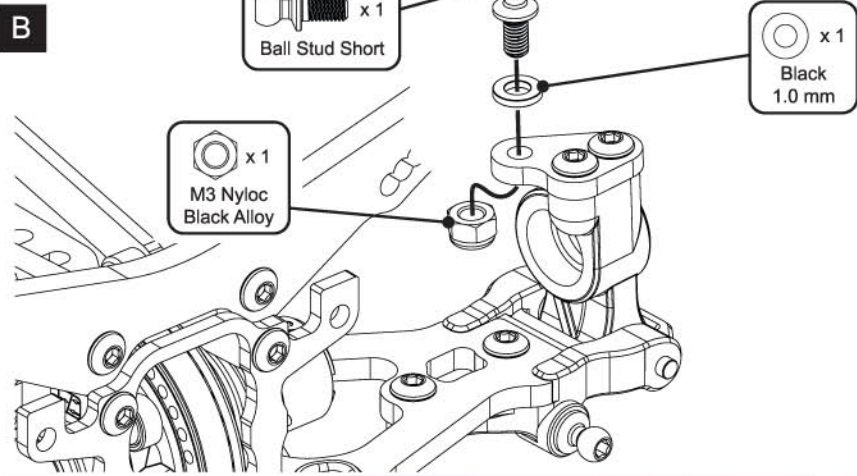
Position the hinge pin so that it is always central with the hub carrier. Use the grub screw to lock the hinge pin in place.



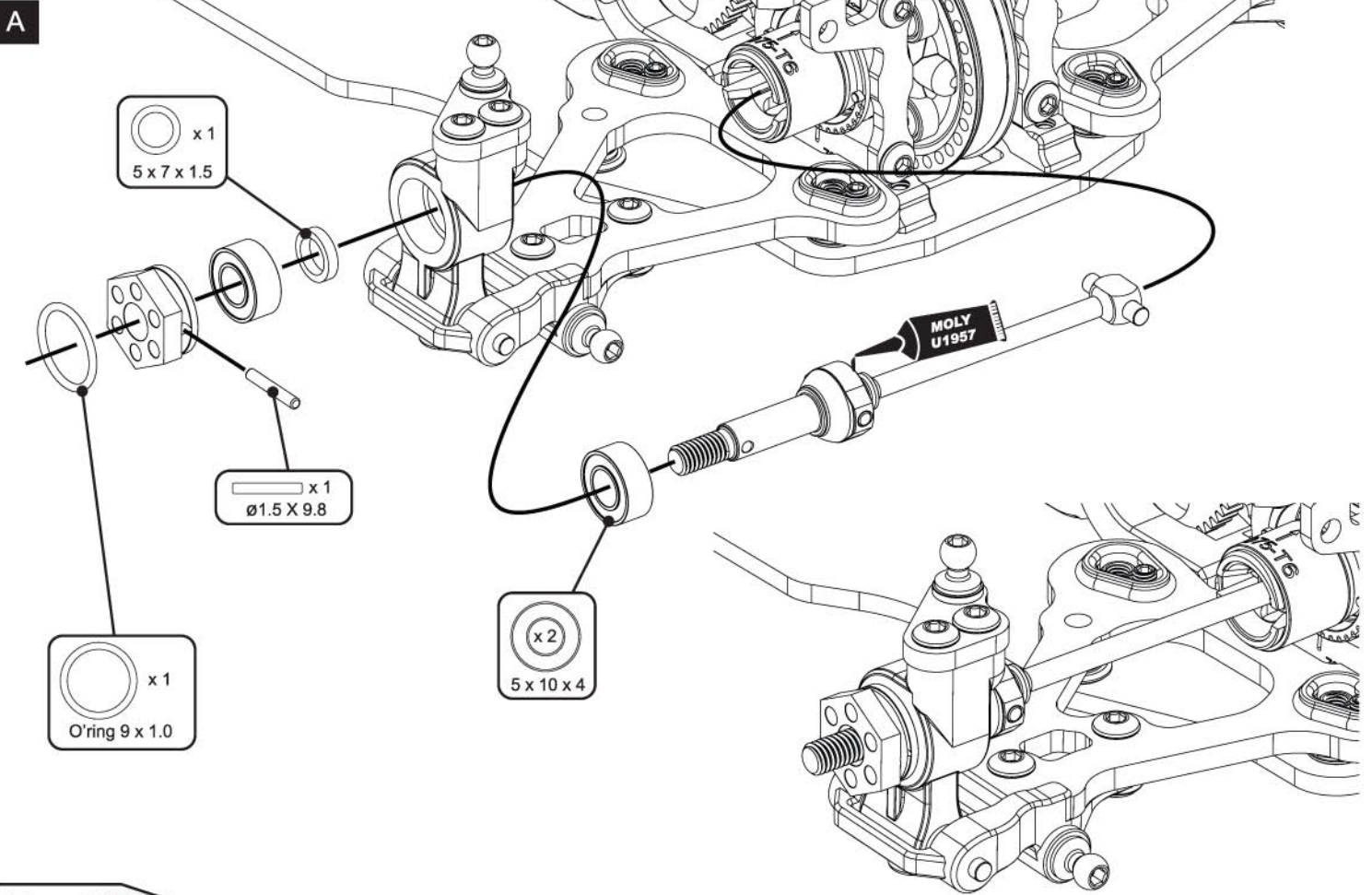
Step 25



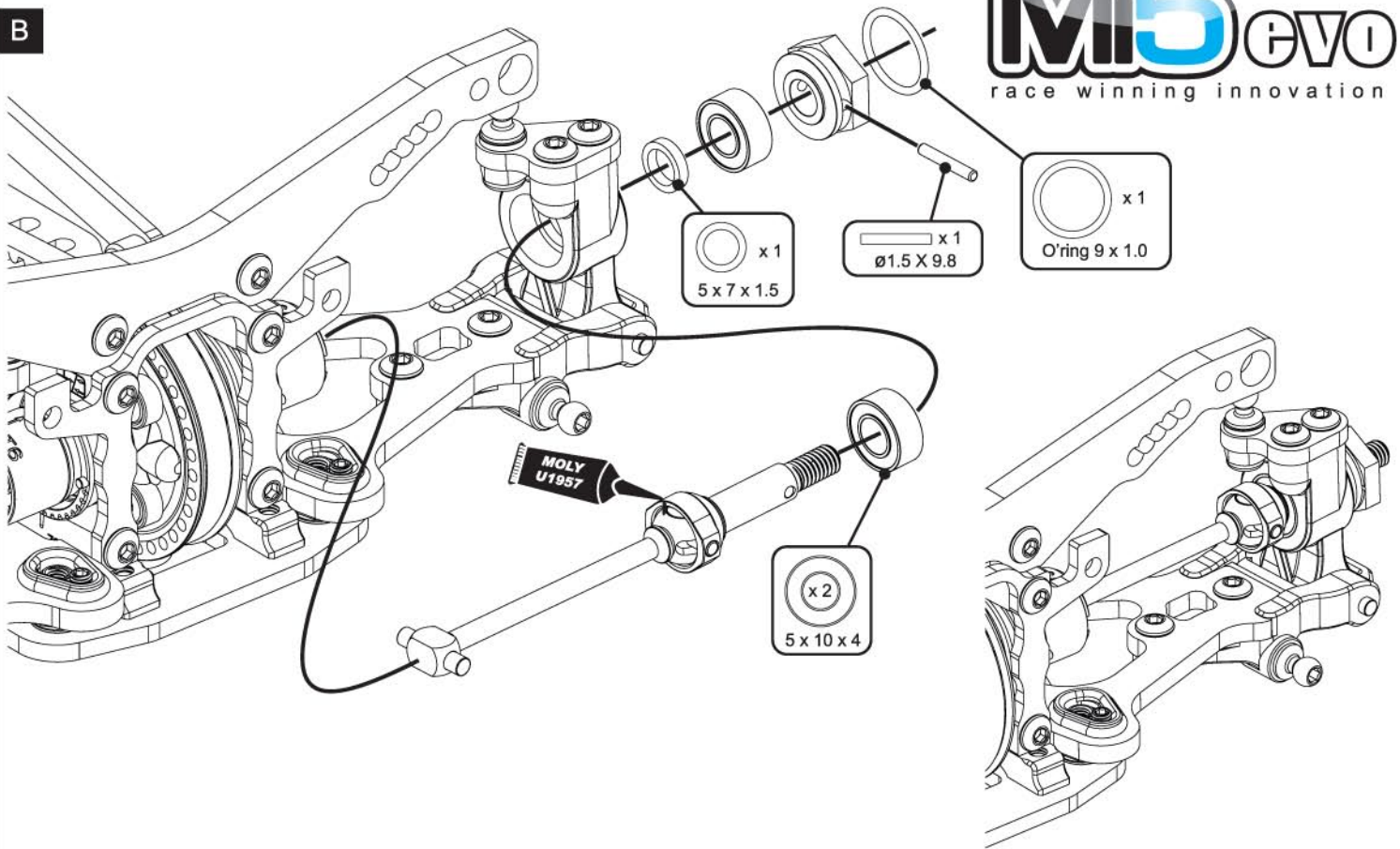
Step 25



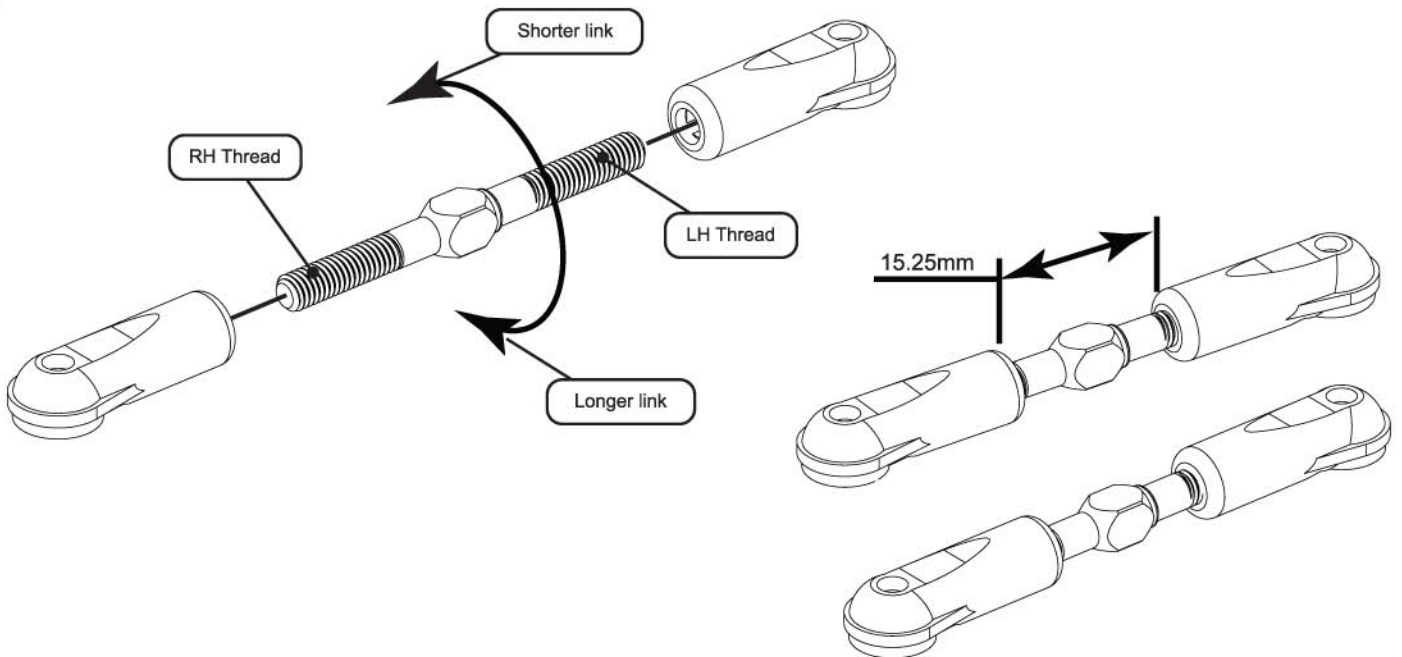
Step 26



B

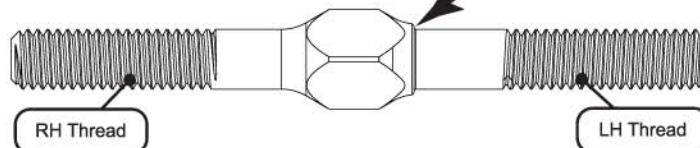


A

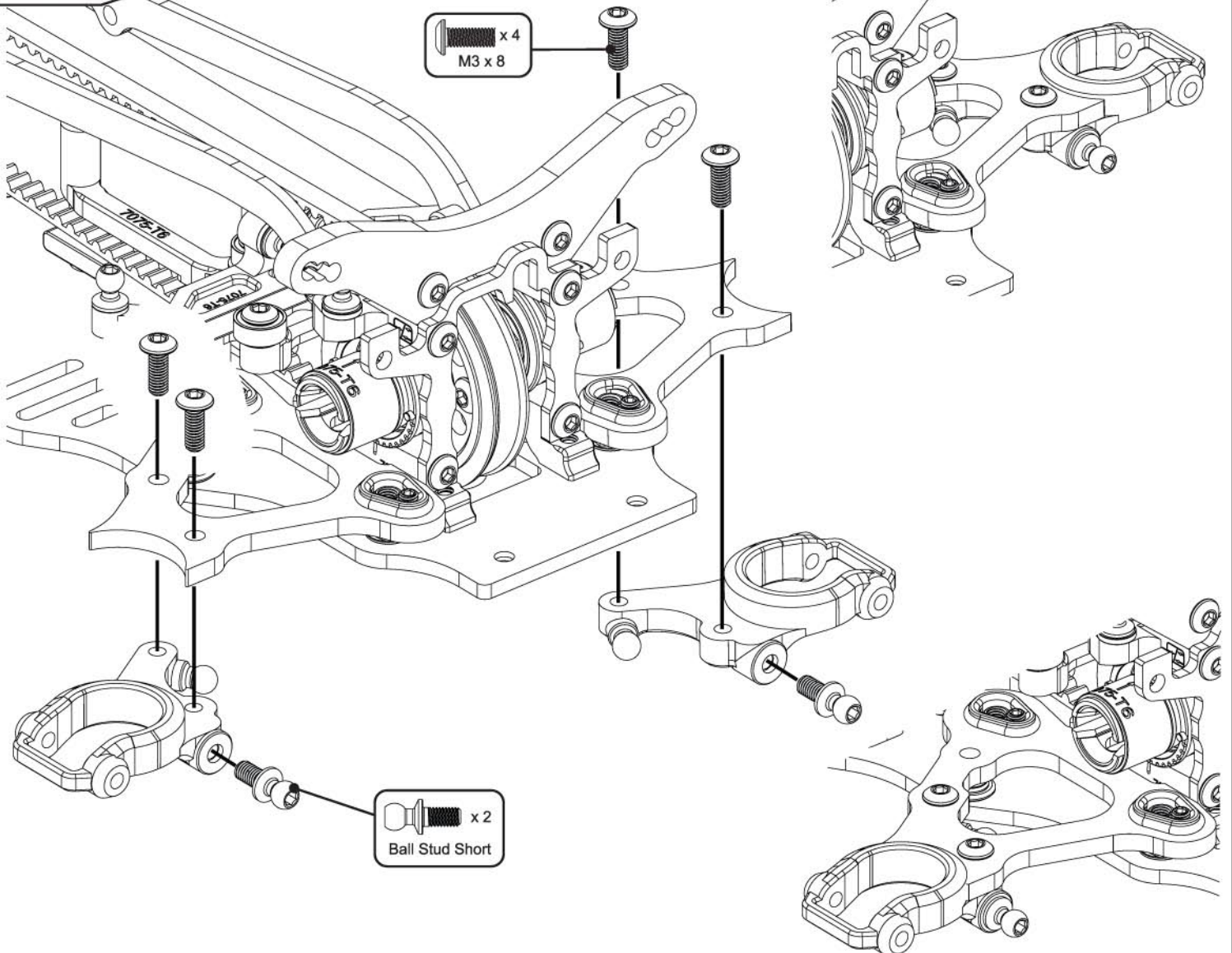
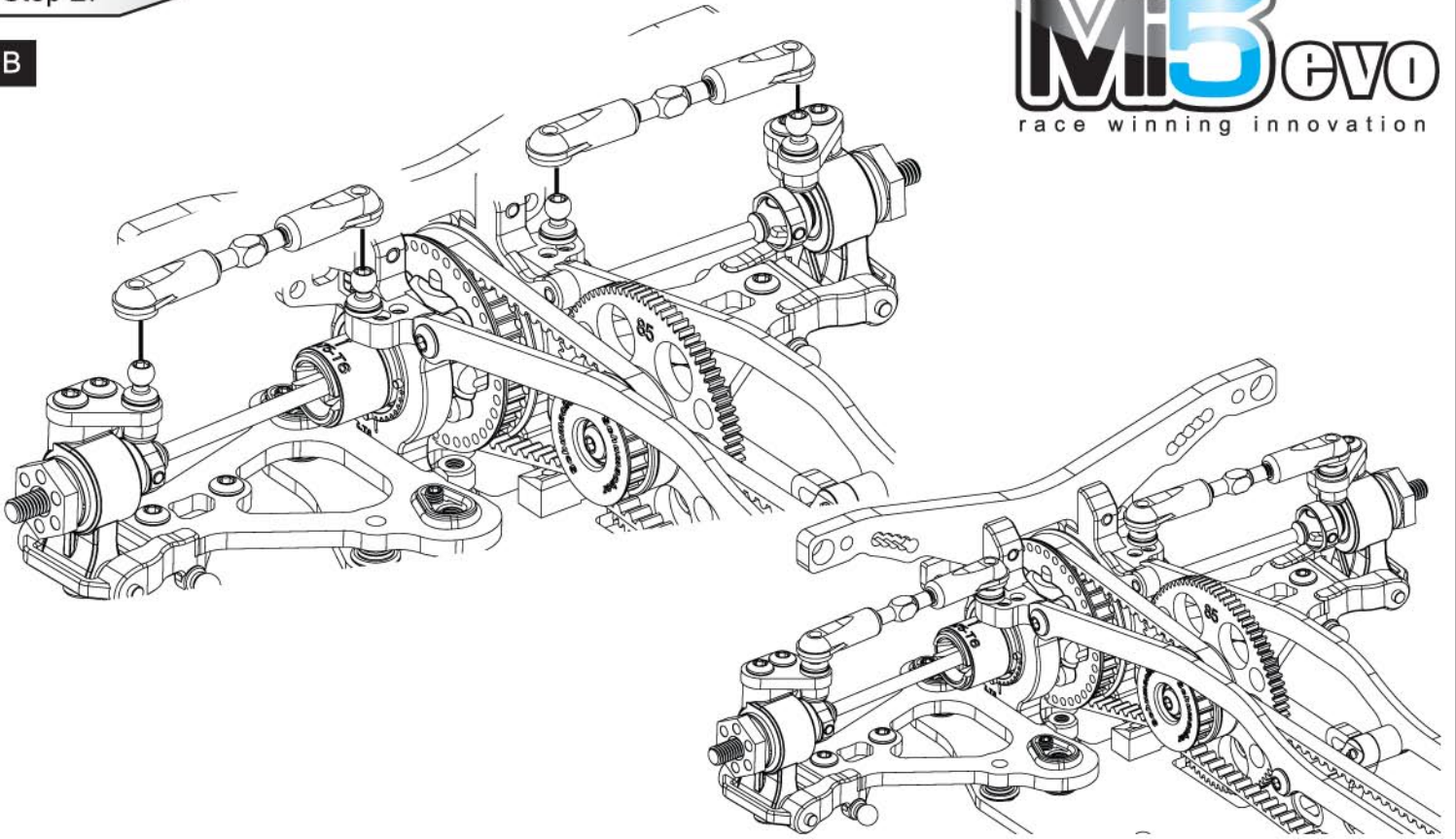


Carefully screw the sockets on to the turnbuckle until no threads are visible. Then undo them to the desired length. This process allows for easier adjustment on the car.  
(Greasing the threads will also help)

**IMPORTANT**  
Note the shape of the turnbuckle, this side of the turnbuckle is the LH thread



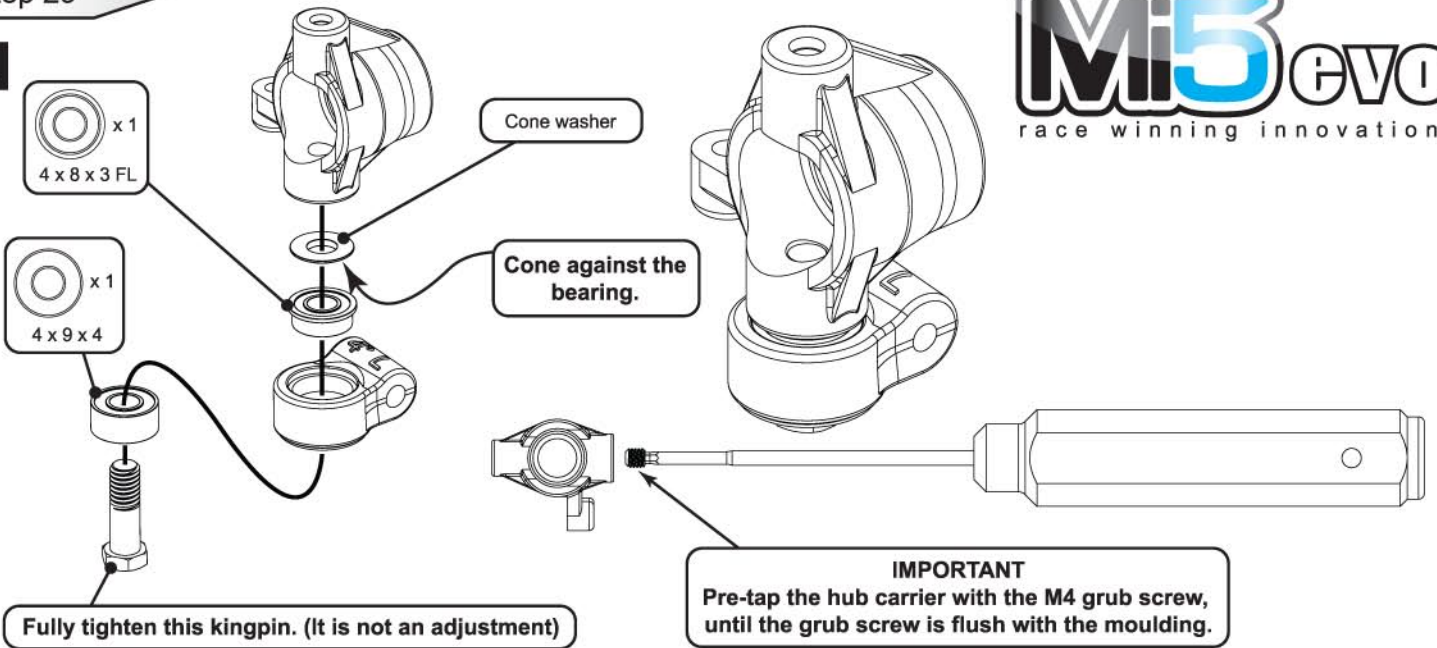
B





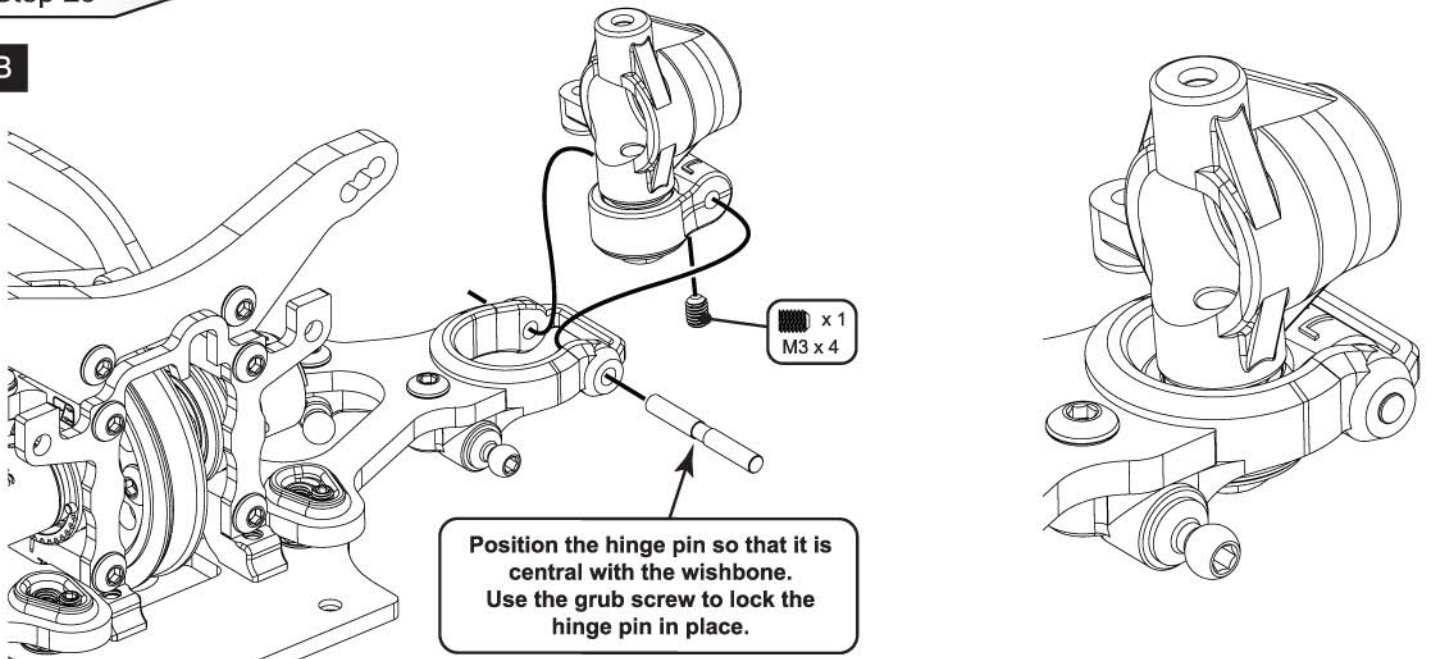
Step 29

A



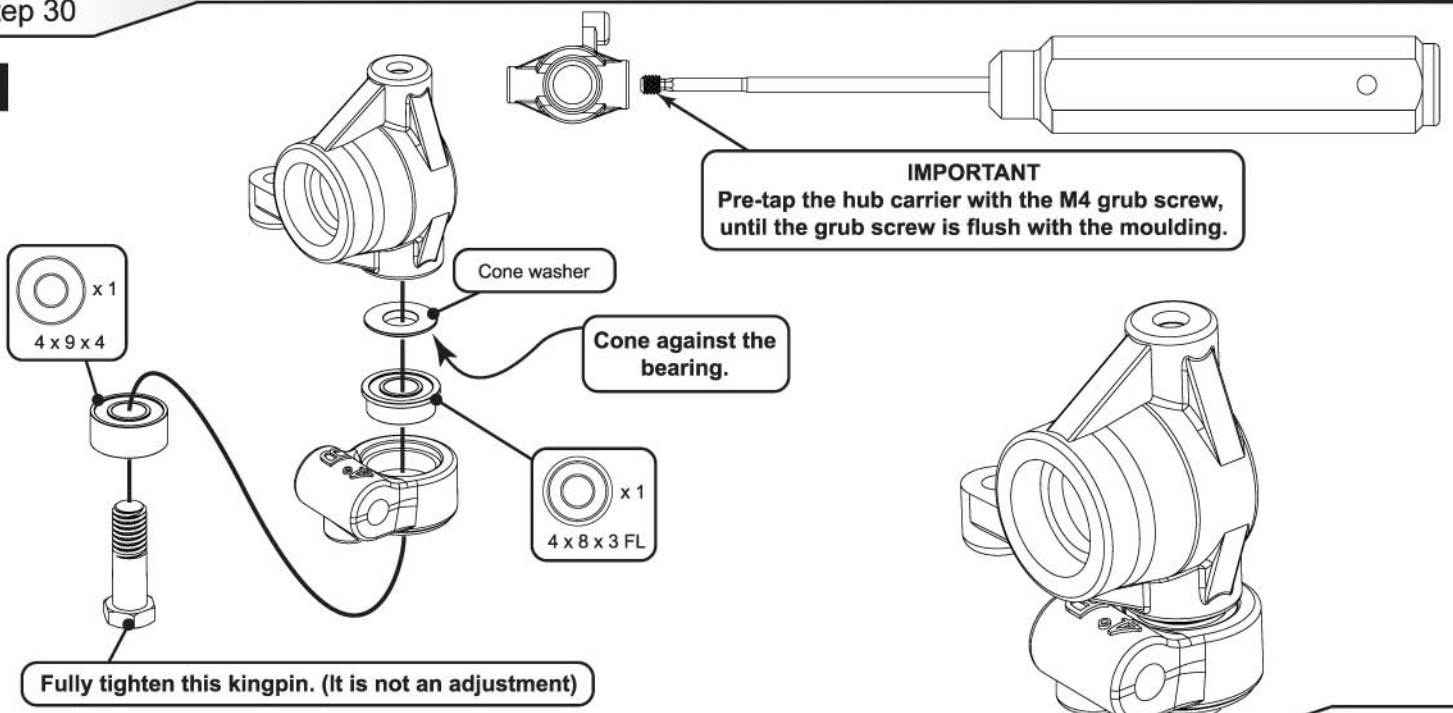
Step 29

B



Step 30

A



**ELECTRIC - TOURING CARS**

K148	Mi5evo C/F - 1/10 EP Touring Kit
K150	Mi5evo C/F - 1/10 EP Touring Kit Assembled

**CHASSIS PARTS**

U1042	Aerial Mount - Universal
U119	Aerial Tube - Pack 4
U2231	Servo Horns
U4137	Servo Mounts - CAT K1
U4245	Bumper Mouldings - Mi5
U4252	LiPo Stop Mouldings - Mi5
U4281	Steering Post - Mi5 - pk3
U4283	Foam Bumper - Mi5
U4529	Body Posts and R Clips - Mi5evo (pk 4)
U4530	Centre Track Rod - Mi5evo
U4531	Steering Mount - Mi5evo
U4532	Topdeck Spacer - Mi5evo
U4533	C/F Chassis - Mi5evo 2.5mm
U4534	C/F Front Shock Mount - Mi5evo
U4535	C/F Rear Shock Mount - Mi5evo
U4536	C/F Steering Arm & Rear Hub Arm (kit) - Mi5evo - (2pr)
U4537	C/F Servo Mount (Kit Spec) - Mi5evo
U4538	Body Post Mount Rear Black Alloy - Mi5evo - (1pr)
U4539	Body Post Mount Front Black Alloy - Mi5evo - (1pr)
U4540	Manual - Mi5evo
U4589	Self Adhesive Foam Pad 45mm x 90mm (2pc)
U4591	C/F Top Deck - Mi5evo (1pr)
U4592	C/F Rear Diff Retainer - Mi5evo
U4593	C/F Front Diff Retainer - Mi5evo
U4594	Wishbone Crash Stops - Mi5evo (1pr)

**BODYSHELLS AND DECALS**

EC168M609	East Coast Body; 2009 M-Speed 6 - 190mm
EC168M609L	ECLight Body; 2009 M-Speed 6 - 190mm
EC38826B	East Coast - Half Paint; Blue; Speed 6 190mm
EC38826R	East Coast - Half Paint; Red; Speed 6 190mm
G887	Touring Wing Holder
MR-WING	MR33 Touring Wing
MT010001	Montech - Nazda 2 Body Touring - 190mm
MT011002	Montech - Nazda 3 Body Touring - 190mm
MT012012	Montech - Nazda 4 Body Touring - 190mm
MT013011	Montech - Stratos Body Touring - 190mm
U3478	Decal sheet - Schumacher and Racing-Cars.Com (pk3)
U4590	Decal Sheet Mi5evo
U5119	Touring Car Wing + 2 End Plates - Clear
U5120	Touring Car Wing + 2 End Plates - Black
U5121	Touring Car Wing + 2 End Plates - Carbon

**SUSPENSION**

U4222	Turnbuckle HT - Touring 39mm - 1pr
U4242	Roll Bar Socket - Mi5 - pk4
U4243	Droop Screw Bush - Mi5 - pk4
U4256	Front Hub Carriers V2 - Mi5 - 1pr
U4270	King Pin & Spacer V2 - Mi5 - pk2
U4273	Pro Ball Stud Ultra Short - pk4
U4274	Pro Ball Stud Short - pk4
U4275	Pro Ball Stud Long - pk4
U4276	Roll Bar Link - Mi5 - pk2
U4298	Turnbuckle HT - Touring 35mm - 1pr
U4299	Turnbuckle HT - Touring 52mm - 1pr
U4541	Pro Pin; 2.5mmx27.5mm Rear (pr)
U4542	Pro Pin; 2.5mmx21.25mm Front (pr)
U4543	Roll Bar Collar Set - Mi5evo
U4544	Wishbone Sockets and Balls - Mi5evo - (pk4)
U4545	Front Wishbone Mouldings - Mi5evo - (1pr)
U4546	Rear Wishbone Mouldings - Mi5evo - (1pr)
U4547	Ball Sockets Long Pro - Mi5evo - (pk8)
U4548	Rear Hub Carriers - Mi5evo - (1pr)
U4549	Micro Caster Block 4deg (kit) - Mi5evo - (pr)
U4550	Roll Bar Clamps - Mi5evo - (pk4)
U4551	Ball Sockets Short Pro - Mi5evo - (pk8)
U4552	C/F Front Wishbone - Mi5evo - (1pr)
U4553	C/F Rear Wishbone 3.0 deg - Mi5evo - (1pr)
U4611	Wishbone Pivot Ball Retaining 'O' Rings (Pk8)

**SHOCK ABSORBERS**

RI-29000	Ride Shock Air Remover Long
RI-RP-600	Ride Shock Air Remover
U3937	Shock Mouldings
U4284	PTFE 3 Hole Piston - Mi5 - Pr
U4285	Pro Shock Seal Blue - On Road - pk8
U4362	Small Bore Diaphragm - pk4
U4554	Shock Body - Mi5evo (1pr)
U4555	Shock Rod; Ti-Nitride - Mi5evo (1pr)
U4556	Shock Rebuild Kit - Mi5evo
U4557	Shock Seal Housing - Mi5evo - (1pr)
U4558	Threaded Shock Collar Adjuster - Mi5evo - (1pr)
U4559	Assembled Shocks - Mi5evo - (1pr)
U4560	Shock Top Ring - Mi5evo - (1pr)
U4595	Shock Top Mouldings 1(pr) - Mi5evo

**SHOCK AND DIFF OIL**

CR200	CORE RC Silicone Oil - 100cSt - 60ml
CR201	CORE RC Silicone Oil - 150cSt - 60ml
CR202	CORE RC Silicone Oil - 200cSt - 60ml
CR203	CORE RC Silicone Oil - 250cSt - 60ml
CR204	CORE RC Silicone Oil - 300cSt - 60ml
CR205	CORE RC Silicone Oil - 350cSt - 60ml
CR206	CORE RC Silicone Oil - 400cSt - 60ml
CR207	CORE RC Silicone Oil - 450cSt - 60ml
CR208	CORE RC Silicone Oil - 500cSt - 60ml
CR209	CORE RC Silicone Oil - 550cSt - 60ml
CR210	CORE RC Silicone Oil - 600cSt - 60ml
CR211	CORE RC Silicone Oil - 700cSt - 60ml
CR212	CORE RC Silicone Oil - 800cSt - 60ml
CR213	CORE RC Silicone Oil - 900cSt - 60ml
CR214	CORE RC Silicone Oil - 1000cSt - 60ml
CR215	CORE RC Silicone Oil - 1300cSt - 60ml
CR216	CORE RC Silicone Oil - 2000cSt - 60ml
CR217	CORE RC Silicone Oil - 3000cSt - 60ml
CR218	CORE RC Silicone Oil - 4000cSt - 60ml
CR219	CORE RC Silicone Oil - 5000cSt - 60ml
CR220	CORE RC Silicone Oil - 6000cSt - 60ml
CR221	CORE RC Silicone Oil - 7000cSt - 60ml
CR222	CORE RC Silicone Oil - 10000cSt - 60ml
CR223	CORE RC Silicone Oil - 20000cSt - 60ml
CR224	CORE RC Silicone Oil - 30000cSt - 60ml
CR225	CORE RC Silicone Oil - 40000cSt - 60ml
CR226	CORE RC Silicone Oil - 50000cSt - 60ml
CR227	CORE RC Silicone Oil - 100000cSt - 60ml
CR228	CORE RC Silicone Oil - 300000cSt - 60ml
CR229	CORE RC Silicone Oil - 12000cSt - 60ml
CR230	CORE RC Silicone Oil - 15000cSt - 60ml
MR-GEARA	MR33 Gear Oil A
MR-GEARB	MR33 Gear Oil B
MR-GEARC	MR33 Gear Oil C

**SPRINGS**

G882	Spec-R Touring Spring Set-Soft 2.5-2.8
G895	Spec-R Touring Spring - Soft 2.6
G896	Spec-R Touring Spring - Soft 2.7
G897	Spec-R Touring Spring - Soft 2.8
U4304	Spring 14Lb/in - White - Mi5 - 1pr
U4305	Spring 15Lb/in - Blue - Mi5 - 1pr
U4306	Spring 16Lb/in - Green - Mi5 - 1pr
U4307	Spring 17Lb/in - Red - Mi5 - 1pr
U4308	Spring 18Lb/in - Yellow - Mi5 - 1pr
U4309	Spring Set - Mi5 - 5pr

**TRANSMISSION**

RI-28022	Ride Gear Diff Putty 45
RI-28024	Ride Gear Diff Putty 70
U2761	Diff Shims; 10x12 (pk8)
U3160	85T 48DP Spur Gear - Mi4/Mi5
U3170	Pins and Shims; Axle - Mi4/Mi5 4pr
U3510	CNC Spool Pulley only - Mi4LP/Mi5
U3525	Alloy Wheel Hex - Mi4/Mi5 (pr)
U3814	Slider Insert - Mi4CX/Mi5 (pk 8)
U3815	Slider Ring - Mi4CX/Mi5 (pr)
U3824	Driveshaft; Steel Rear - Mi4CX/Mi5 (pr)
U3834	Driveshaft; Pivot;Pin;Screw - Mi4/Mi5/KR 1pc

**TRANSMISSION Cont.**

U3836	Driveshaft; Steel Axle Rear - Mi4CX/Mi5 1pc
U3837	Driveshaft; Steel Bone Front - Mi4CX/Mi5 1pc
U3838	Driveshaft; Steel Bone Rear - Mi4CX/Mi5 1pc
U3924	Bando Extra Strong Rear Belt 60T- Mi3/Mi4/Mi5
U4066	Bando Extra Strong Belt 171T - Mi4/Mi5 Front
U4260	Gear Diff Housings - Mi5
U4261	Gear Diff Bevel Gears - Mi5
U4277	Front Spool Assembled - Mi5
U4279	Gear Diff Rebuild Kit - Mi5
U4296	Gear Diff Output - Mi5 - 1pc
U4331	Driveshaft; Steel Front - Mi5 - pr
U4332	Spool Spindle - Mi5
U4333	Gear Diff Rear - Mi5
U4561	Alloy Pulley 20T - Mi5evo
U4562	Pulley Fences 20T - Mi5evo
U4564	Layshaft/Motor Mount - Mi5evo
U4565	Transmission Housing Side 'A' - Mi5evo
U4566	Transmission Housing Side 'B' - Mi5evo
U4567	Eccentric Moulded - Mi5evo - (1pr)
U4568	Layshaft - Mi5evo
U4569	Layshaft Endcap - Mi5evo
U4577	Alloy Wheel Hex Wide - Mi5evo (1pr)
U4612	Eccentrics Timing Pin - Mi5evo (1pr)

**PINIONS**

U3414	Pinion; Hard Alloy 48dp - 14T
U3415	Pinion; Hard Alloy 48dp - 15T
U3416	Pinion; Hard Alloy 48dp - 16T
U3417	Pinion; Hard Alloy 48dp - 17T
U3418	Pinion; Hard Alloy 48dp - 18T
U3419	Pinion; Hard Alloy 48dp - 19T
U3420	Pinion; Hard Alloy 48dp - 20T
U3421	Pinion; Hard Alloy 48dp - 21T
U3422	Pinion; Hard Alloy 48dp - 22T
U3423	Pinion; Hard Alloy 48dp - 23T
U3424	Pinion; Hard Alloy 48dp - 24T
U3425	Pinion; Hard Alloy 48dp - 25T
U3426	Pinion; Hard Alloy 48dp - 26T
U3427	Pinion; Hard Alloy 48dp - 27T
U3428	Pinion; Hard Alloy 48dp - 28T
U3429	Pinion; Hard Alloy 48dp - 29T
U3430	Pinion; Hard Alloy 48dp - 30T
U3431	Pinion; Hard Alloy 48dp - 31T
U3432	Pinion; Hard Alloy 48dp - 32T
U3433	Pinion; Hard Alloy 48dp - 33T
U3434	Pinion; Hard Alloy 48dp - 34T
U3435	Pinion; Hard Alloy 48dp - 35T
U3436	Pinion; Hard Alloy 48dp - 36T
U3437	Pinion; Hard Alloy 48dp - 37T
U3438	Pinion; Hard Alloy 48dp - 38T
U3439	Pinion; Hard alloy 48dp - 39T
U3440	Pinion; Hard Alloy 48dp - 40T
U3619	Pinion; Hard Alloy 64dp - 19T
U3620	Pinion; Hard Alloy 64dp - 20T
U3621	Pinion; Hard Alloy 64dp - 21T
U3622	Pinion; Hard Alloy 64dp - 22T
U3623	Pinion; Hard Alloy 64dp - 23T
U3624	Pinion; Hard Alloy 64dp - 24T
U3625	Pinion; Hard Alloy 64dp - 25T
U3626	Pinion; Hard Alloy 64dp - 26T
U3627	Pinion; Hard Alloy 64dp - 27T
U3628	Pinion; Hard Alloy 64dp - 28T
U3629	Pinion; Hard Alloy 64dp - 29T
U3630	Pinion; Hard Alloy 64dp - 30T
U3631	Pinion; Hard Alloy 64dp - 31T
U3632	Pinion; Hard Alloy 64dp - 32T
U3633	Pinion; Hard Alloy 64dp - 33T
U3634	Pinion; Hard Alloy 64dp - 34T
U3635	Pinion; Hard Alloy 64dp - 35T
U3636	Pinion; Hard Alloy 64dp - 36T
U3637	Pinion; Hard Alloy 64dp - 37T
U3638	Pinion; Hard Alloy 64dp - 38T
U3639	Pinion; Hard Alloy 64dp - 39T
U3640	Pinion; Hard Alloy 64dp - 40T
U3641	Pinion; Hard Alloy 64dp - 41T
U3642	Pinion; Hard Alloy 64dp - 42T

**PINIONS Cont.**

U3643	Pinion; Hard Alloy 64dp - 43T
U3644	Pinion; Hard Alloy 64dp - 44T
U3645	Pinion; Hard Alloy 64dp - 45T
U3646	Pinion; Hard Alloy 64dp - 46T
U3648	Pinion; Hard Alloy 64dp - 48T
U3650	Pinion; Hard Alloy 64dp - 50T
U4441	Pinion; Hard Alloy 48dp - 41T
U4442	Pinion; Hard Alloy 48dp - 42T
U4443	Pinion; Hard Alloy 48dp - 43T
U4444	Pinion; Hard Alloy 48dp - 44T
U4445	Pinion; Hard Alloy 48dp - 45T

**1-10 TOURING - SOREX**

XCO-20R	Sorex Competition Tyre - 20R
XCO-24R	Sorex Competition Tyre - 24R
XCO-28R	Sorex Competition Tyre - 28R
XCO-32R	Sorex Competition Tyre - 32R
XCO-36R	Sorex Competition Tyre - 36R
XCO-40R	Sorex Competition Tyre - 40R
XG-24RY	Sorex Glued 24R+Yellow+Revlite24 pk4
XG-28JB	Sorex Glued 28R+JB+Revlite24 pk4
XG-32JB	Sorex Glued 32R+JB+Revlite24 pk4
XG-32RY	Sorex Glued 32R+Yellow+Revlite24 pk4 BRCA
XG-36SR	Sorex Glued 36R+Red+Stiff Light pk4 Worlds 2012
XG-36SY	Sorex Glued 36R+Yellow+Stiff Light pk4
XG-40SY	Sorex Glued 40R+Yellow+Stiff Light Pk4-Euros 2014
XG-RAIN	Shimizu D01J Wet Pre-Glued - pk4 Worlds 2012

**1-10 TOURING TYRES AND INSERTS**

U6623	SST Mini Pins 24/25 - Blue (pr)
U6624	SST Mini Pins 24/25 - Yellow (pr)
U6627	SST Foam Tyre Insert - 24/25 Hard (pr)
U6628	SST Foam Tyre Insert - 24/25 Comp (pr)
U6629	SST Rally 24/25 - Yellow (pr)
U6630	SST Rally 24/25 - White (pr)
U6635	SST Foam Tyre Insert - 20 Hard (pr)
U6670	SST Mini Pins 20 - Blue (pr)
U6671	SST Mini Pins 20 - Yellow (pr)
U6672	SST Belted Slick 25 - White (pr)
U6690	SST Carpet Dragon 24/25mm (pr)
U6716	SST Mini Pins 24/25 - Green (pr)
U6717	SST Mini Pins 20 - Green (pr)
U6758	Moulded Insert; Yellow - Touring (pr)
U6764	JB Foam Inserts (pr)
U6780	Moulded Insert: Red - Touring (pr)

**1-10 TOURING WHEELS**

U2500	Rev-Lite; 24mm - White (Pk4)
U2777	Rev-Lite; Flex 24mm - White (Pk4)
U3792	Rev-Lite wheel Std; 20mm - White (Pk4)

**BATTERIES**

CR005	CORE RC Battery Tape - Black
CR006	CORE RC Battery Tape - Blue
CR007	CORE RC Silicone Wire 12g - Red/Black 2x50cm
CR008	CORE RC RED Connector with 2x4mm Tubes
CR009	CORE RC RED Connector with 2x4mm Males
CR037	CORE RC - Battery Tape - Purple
CR050	CORE RC Silicone Wire 12g - Red 1 Metre
CR051	CORE RC Silicone Wire 12g - Black 1 Metre
CR052	CORE RC Silicone Wire 12g - Blue 1 Metre
CR056	Balance Charge Lead; JST-XHR to 2mm Male 7.4v
CR115	CORE RC Silicone Wire 12g - Red/Black/Blue 3x50cm
CR121	Heatshrink 3.0mm dia Black - 20pcs
CR124	Heatshrink 6.0mm dia Black - 20pcs
CR125	Heatshrink 6.0mm dia Red - 20pcs
CR159	Core RC - Battery Tape - Orange
CR170	CORE RC Lipo Locker - 17 x 8 x 7cm
CR287	Silicone Wire Black 14 AWG - 1Mtr
CR288	Silicone Wire Black 16 AWG - 1Mtr
IPBG2S4800V9	Intellect Shorty Lipo 4800mAh 2S- 90C- 7.4V G5
IPCC2S7600V9	Intellect Lipo 7600mAh 2S- 90C- 7.4V- 330g G5
MR-SB	MR33 Lipo Bag
NR95805	NOSRAM LiPo Hardcase balancing adapter

**BATTERIES Cont.**

NR999500	Lipo 7200 Big Mama Hard Case 100C/50C-7.4V
NR999501	Lipo 7000 X-treme Race H/Case 55C-7.4V
NR999504	Lipo 4500 X-treme Race Short H/Case 110C/55C-7.4V
SK-500007-01	SKYRC Lipo Pal
TP5300-2SPR65B	Thunder Power Lipo 5300mAh 2S - 7.4V - 65C/130C
TP6000-2SPR65B	Thunder Power Lipo 6000mAh 2S - 7.4V - 65C/130C

**BEARINGS AND BALLS**

G200	ZX1 - Microlube
H1031	Bearing Blaster Aerosol 500ml
U1300	Axle Grease - Pot
U1301	Silicone Diff Lube - Pot
U1411	Ball Bearing - 4x8x3 Shielded. (pr)
U1529	Ball Bearing - 4x8x3 Flanged (pr)
U1957	Moly Grease - Pot
U2148	Ball Bearing - 5x10x4 Shielded (pr)
U2189	Wheel Bearings 8pcs 10x5x4+Shim Set
U3016	Ball Bearing - 10x15x4 - Shielded (pr)
U3136	Ball Bearing - 5x8x2.5 - Shielded (pr)
U4280	Ball Bearing - 4x9x4 - Shielded - (pr)

**BRUSHLESS ACCESSORIES**

CR133	Core Sensor Lead; 80mm
CR134	Core Sensor Lead; 180mm
HW2360800	XERUN - Sensor Cable - 80mm
HW2361200	XERUN - Sensor Cable - 120mm
HW30502000014	XERUN-EZRUN-Multifunction LCD Program Box
HW86020010	XERUN-EZRUN - Program Card for ESC
HW86030030	XERUN - Capacitors
NR92501	USB Bridge Spec2 - Speedo Firmware Update Device
NR92512	Cooling Fan; Low Profile - Include Mounting Screws
NR92515	Nosram Motor Fan (30x30) + Alum Mnt Clamp
NR925307	NOSRAM Sensor Wire HighFlex 70mm
NR925315	NOSRAM Sensor Wire HighFlex 150mm
NR925320	NOSRAM Sensor Wire HighFlex 200mm
NR92591	NOSRAM Hardcore Motor Cooler
SK-300046-01	Program Box
SP000007	Muti LED Program Card Version 2.0
SP000008	Reventon "Blue-Tooth" Module"
SP000009	Reventon "WiFi" Module"
SP001130	Reventon PRO 1.1 Fan
SP162801	SP - Sensor Cable 180mm
SP162802	SP - Sensor Cable 90mm
SP162810	SP - HiPower Solder Post; 3pcs
SP162820	SP - HiPower Connector; V3.0 Motors 3pcs
SPCBB138238	SP - Ceramic Motor Bearing
TPM-P1005	Thunder Power Sensor Unit w/Std Bearing S/M540/550

**BRUSHLESS ESC and MOTOR COMBO**

SP000193	Reventon-R ESC-2S-Silver Comp V3.0-10.5R Combo
SP000194	Reventon-R ESC-2S-Silver Comp V3.0-13.5R Combo
SP000195	Reventon-R ESC-2S-Silver Comp V3.0-17.5R Combo
SP000200	Reventon Stock Club Race 10.5 Combo Comp V3 Motor
SP000201	Reventon Stock Club Race 13.5 Combo Comp V3 Motor
SP000202	Reventon Stock Club Race 17.5 Combo Comp V3 Motor
SP000203	Reventon Stock Club Race 21.5 Combo Comp V3 Motor
SP001028	Reventon Pro V1.1 ESC Comp V3.0-3.5R Combo
SP001029	Reventon Pro V1.1 ESC Comp V3.0-4.0R Combo
SP001030	Reventon Pro V1.1 ESC Comp V3.0-4.5R Combo
SP001031	Reventon Pro V1.1 ESC Comp V3.0-5.0R Combo
SP001032	Reventon Pro V1.1 ESC Comp V3.0-5.5R Combo
SP001033	Reventon Pro V1.1 ESC Comp V3.0-6.0R Combo
SP001038	Reventon Pro V1.1 ESC Comp V3.0-10.5R Combo
SP001039	Reventon Pro V1.1 ESC Comp V3.0-13.5R Combo
SP001040	Reventon Pro V1.1 ESC Comp V3.0-17.5R Combo
SP001041	Reventon Pro V1.1 ESC Comp V3.0-21.5R Combo
SP001141	Reventon Pro V1.1 ESC MMM 3.5R Combo
SP001142	Reventon Pro V1.1 ESC MMM 4.0R Combo
SP001143	Reventon Pro V1.1 ESC MMM 4.5R Combo
SP001144	Reventon Pro V1.1 ESC MMM 5.0R Combo
SP001145	Reventon Pro V1.1 ESC MMM 5.5R Combo
SP001146	Reventon Pro V1.1 ESC MMM 10.5R Combo
SP001147	Reventon Pro V1.1 ESC MMM 13.5R Combo
SP001148	Reventon Pro V1.1 ESC MMM 17.5R Combo
SP001149	Reventon Pro V1.1 ESC MMM 21.5R Combo

**BRUSHLESS MOTORS**

HW30401020041	XERUN - 1/10 Sensored BL Motor V10 - 3.5T
HW30401020042	XERUN - 1/10 Sensored BL Motor V10 - 4.5T
HW30401020043	XERUN - 1/10 Sensored BL Motor V10 - 5.5T
HW30401020044	XERUN - 1/10 Sensored BL Motor V10 - 6.5T
HW30401020046	XERUN - 1/10 Sensored BL Motor V10 - 10.5T
HW30401020047	XERUN - 1/10 Sensored BL Motor V10 - 13.5T
HW30401020048	XERUN - 1/10 Sensored BL Motor V10 - 17.5T
HW30401020049	XERUN - 1/10 Sensored BL Motor V10 - 21.5T
HW30404110001	QUICRUN-3650-10.5T-Sensored 1/10 BL Motor
HW30404110002	QUICRUN-3650-13.5T-Sensored 1/10 BL Motor
HW30404110003	QUICRUN-3650-17.5T-Sensored 1/10 BL Motor
NR90648	Nosram Pure 2 BL - 10.5T
NR90649	Nosram Pure 2 BL - 9.5T
NR90664	Nosram Pure 2 BL - 7.5T
NR90684	Nosram Pure 2 BL - 5.5T
NR90689	Nosram Pure 2 BL - 5.0T
NR90694	Nosram Pure 2 BL - 4.5T
NR90704	Nosram Pure 2 BL - 4.0T
NR91834	Nosram Pure 2 BL - Spec Racing Motor - 10.5T
NR91844	Nosram Pure 2 BL Spec Racing Motor - 13.5T
NR91854	Nosram Pure 2 BL Spec Racing Motor - 17.5T
SK-400003-21	ARES Pro BL Motor 3.5T
SK-400003-22	ARES Pro BL Motor 4.5T
SK-400003-23	ARES Pro BL Motor 5.5T
SK-400003-31	ARES Pro BL Motor 17.5T Spec
SK-400003-32	ARES Pro BL Motor 21.5T Spec
SK-400003-33	ARES Pro BL Motor 10.5T Spec
SK-400003-34	ARES Pro BL Motor 13.5T Spec
SP000035	1/10 Competition MMM Series 3.5R BL Motor
SP000036	1/10 Competition MMM Series 4.5R BL Motor
SP000037	1/10 Competition MMM Series 10.5R BL Motor
SP000038	1/10 Competition MMM Series 13.5R BL Motor
SP000039	1/10 Competition MMM Series 17.5R BL Motor
SP000040	1/10 Competition MMM Series 21.5R BL Motor
SP000148	1/10 Competition MMM Series 5.0R BL Motor
SP000149	1/10 Competition MMM Series 5.5R BL Motor
SP000151	1/10 Competition MMM Series 4.0R BL Motor
SP138105V3	Speed Passion V3.0 Comp BL Motor; 10.5T
SP138135V3	Speed Passion V3.0 Comp BL Motor; 13.5T
SP138175V3	Speed Passion V3.0 Comp BL Motor; 17.5T
SP13835V3	Speed Passion V3.0 Comp BL Motor; 3.5T
SP13840V3	Speed Passion V3.0 Comp BL Motor; 4.0T
SP13845V3	Speed Passion V3.0 Comp BL Motor; 4.5T
TPM-540A030	Thunder Power 3.0T Modified 540 BL Motor
TPM-540A035	Thunder Power 3.5T Modified 540 BL Motor
TPM-540A040	Thunder Power 4.0T Modified 540 BL Motor
TPM-540A045	Thunder Power 4.5T Modified 540 BL Motor
TPM-540A050	Thunder Power 5.0T Modified 540 BL Motor
TPM-540A055	Thunder Power 5.5T Modified 540 BL Motor
TPM-540A060	Thunder Power 6.0T Modified 540 BL Motor
TPM-540A105	Thunder Power 10.5T Stock Spec 540 BL Motor
TPM-540A135	Thunder Power 13.5T Stock Spec 540 BL Motor
TPM-540A175	Thunder Power 17.5T Stock Spec 540 BL Motor
TPM-540A215	Thunder Power 21.5T Stock Spec 540 BL Motor

**BRUSHLESS SPEEDCONTROLS**

CR173	PACE 45R Brushless ESC 1s/2s
CR174	PACE 45R Programming Card
HW30112060030	XERUN - V3.1 Sport Spec-Red BL ESC 100A Blinky
HW30112101001	XERUN - V3.1 Stock Spec-Black BL ESC 100A
HW81020000	JUSTOCK - Club Spec BL ESC - Blue - 45A
HW81020010	XTREME Stock BL ESC - Blue - 60A
HW81020011	XTREME Stock BL ESC - Black - 60A
HW81020170	XERUN - V2.1 - BL ESC-120A - Blue
HW81020340	XERUN - V3.1 BL-ESC - Blue 120A
HW81020350	XERUN - V3.1 BL-ESC - Black 120A
HW81020360	XERUN - V3.1 BL-ESC - Red 120A
HW81020380	XERUN - V2.1 - BL-ESC-90A-Blue
NR90960	Comet EVO Brushless Speed Control
NR90970	Comet HD Brushless Speed Control
SK-300044-01	Toro TS 120A ESC
SK-300062-02	Toro TS 120A Alloy ESC - Black
SP000010	Reventon-S ESC - 2S - Blue
SP000043	Reventon-R ESC - 2S - Orange

**BRUSHLESS SPEEDCONTROLS Cont.**

SP000048	Reventon Stock Club Race ESC Black
SP000060	Reventon-S ESC - 2S - Orange
SP000061	Reventon-S ESC - 2S - Black
SP000062	Reventon-S ESC - 2S - Silver
SP000063	Reventon-R ESC - 2S - Blue
SP000064	Reventon-R ESC - 2S - Silver
SP000739	Reventon Pro ESC-2S - V1.1 Black
SP000740	Reventon Pro ESC-2S - V1.1 - Laser Blue

**CHARGERS AND DISCHARGERS**

CR161	UAC50 Charger 12v/110-240v 6A
G834	Charger 240v UK; 7.2/Tx/Croc 1.2-12v
NR91400	Sigma Power Charger
NR91555	Stealth Touch Evolution Charger
NR93160	Nosram Power Supply 13.8V / 20A
SK-100064-01	T6755 Charger 7A 55W AC/DC Touch Screen
SK-100068-01	SKYRC 6 x 80+ Charger Blue Version
SK-100072-01	T6200 Charger 12A 200W DC Touch Screen
SK-100078-01	Racing Star RS16 - 180W 16A DC Charger
SK-100084	Imax B6 Mini Charger 6A 60W DC
SK-200008-01	SKYRC 15V - 4A AC Adapter
SK-200012-03	SKYRC 15V - 7A AC Adapter
SK-200013-01	eFuel 30A 540W Power Supply
SK-200015-01	eFuel 50A 1200W Power Supply
SK-200017-01	Racing Star 17A Power Supply (UK Plug)
TP1201P	100-240V AC - 12V DC, 1.0A Switching Adaptor TP103
TP1205P	100-240V AC-12V DC, 5.0A Switching Adaptor
TP610C	Thunder Power 10 Amp DC Balance Charger
TP610C-ACDC	Thunder Power 10 Amp AC/DC Balance Charger
TP820CD	Dual Port 20A DC charger/Cycler

**ELECTRONICS**

CR151	CODE 2.4G FHSS LCD 2 Stick TxRx
CR152	CODE 2.4G FHSS LCD - Rx Only
CR153	CODE 2.4G FHSS Sport 2 Stick TxRx
CR154	CODE 2.4G FHSS Sport - Rx Only
CR162	CORE RC Sensor Checking Widget
CR195	Portable Emergency 60W Soldering Iron
CR286	CORE RC Servo Low Pro Digital Coreless 9Kg-.09Sec
ED199502	EDS Ultra Bright L.E.D. Light Stand
MR33-GOLD2	4mm Gold Connectors pk 4
SK-500014	Multi-Functions Motor Dyno
SK-500015	Corner Weight System
SK-600072	Tire Sander

**GENERAL ACCESSORIES**

CR043	CORE RC - Silver X-Weights 16pcs
CR058	CORE RC - Black X-Weights 16pcs
CR119	Heatshrink 1.5mm dia Black - 20pcs
CR120	Heatshrink 2.0mm dia Black - 20pcs
CR522	CORE RC - 522 Pro Tyre Glue
MR-CSONROAD	MR33 Car Stand On Road

**SPEED PACKS**

CR024	CORE RC - Serrated M4 Steel Wheel Nut pk4
CR035	CORE RC - Serrated Alloy M4 Nuts; Blue pk 4
CR036	CORE RC - Serrated Alloy M4 Nuts; Violet pk 4
CR196	CORE RC - Serrated Alloy M4 Nuts - Black - pk4
U1544	SPEED PACK - Short M3; Cap Hd
U1547	SPEED PACK - M3 Nuts
U1548	SPEED PACK - M3 Washers
U1550	SPEED PACK - Socket Wrenches (pk3)
U1551	SPEED PACK - E Clips -2 x 8pcs
U1552	SPEED PACK - R Clips
U1606	SPEED PACK - Servo Tape - 30pk
U1633	SPEED PACK - Small Pins (pk)
U1960	SPEED PACK - O Rings; Various
U2128	SPEED PACK - Grub-Set Screws M3 M4
U2760	SPEED PACK - M3 Button Hd; 4 to 20
U2858	SPEED PACK Alloy M3x6 Spacers ;0.5;1;2;3mm - 16pcs
U3021	SPEED PACK - M3x6 Csk Allen Hi-T
U3022	SPEED PACK - M3x8 Csk Allen Hi-T
U3023	SPEED PACK - M3x10 Csk Allen Hi-T

**SPEED PACKS Cont.**

U3024	SPEED PACK - M3x12 Csk - M3 x 10 Button Screws
U3131	SPEED PACK Alloy Spacers M3x7mm 0.5;1;2mm (pk18)
U3168	SPEED PACK - M2.5/M2.6 Screws
U3754	SPEED PACK - M2.5x10 Csk Hd pk8
U4155	SPEED PACK - M3 Csk Washers - Black Alloy (pk10)
U4210	SPEED PACK - Pinion Grub Screw Set pk10
U4241	SPEED PACK - M3 Alloy Nyloc Nuts - Black - pk10
U4314	SPEED PACK - Alloy Black Washers - Mi5 - 16pc

**SPEED SECRET - OPTION PARTS**

CR110	Alloy Servo Arm; Futaba Purple
CR111	Alloy Servo Arm; KO/Sanwa Purple
CR112	Alloy Servo Arm; Futaba Blue
CR113	Alloy Servo Arm; KO/Sanwa Blue
CR117	Alloy Servo Arm; Futaba Black
CR118	Alloy Servo Arm; KO/Sanwa Black
CR280	Ti Pro Ball Studs - Short - pr
CR281	Ti Pro Ball Studs - Ultra Short - pair
CR282	Ti Ball Studs - Long - pair
G868	Spec R Gear Differential - Mi4/Mi5 Front
G870	SPEC-R Gear Diff Screw Set (10pcs)
G871	SPEC-R Gear Diff. Gasket Set (V.11)
G873	SPEC-R Gear Diff Housing 36T - Mi4
G874	SPEC-R 0.1mm Shims (10)
G875	SPEC-R Titanium Gear Diff Pins
G877	Drive Shaft Bone - 1pc - Mi4/Mi5
G883	SPEC-R Carbon Internal Gear Set
G884	Driveshaft Front True CV - Mi4/Mi5 - pr
G885	Cross Joint Set for version 2 CV Shaft
G886	C-Clips for CV Swing Shaft version 2 - 8pcs
U1572	Titanium Turnbuckle; purple - 39mm (pr)
U1573	Titanium Turnbuckle; purple - 53mm (pr)
U1954	Pro - Thrust Bearing
U2187	SPEED PACK - M3 Nyloc Nut - Purple Alloy (pk8)
U2573	Pro-Diff Screw Set
U2574	Ball Bearing - 5x9x2.5 Open (pr)
U2862	Ceramic Bearing - 5x10x4 Shielded (pr)
U2988	SPEED PACK - M3 Csk Washers - Purple Alloy (pk10)
U2996	Race Shock Piston - Trg 3 Hole (pr)
U3017	Ceramic Bearing - 10x15x4 - Shielded (pr)
U3019	Diff Balls; Ceramic Nitride 2.5mm (pk12)
U3137	Shock Mounting Post - (pr)
U3140	Diff Washer; ProSpec - Mi4/Mi5 (pr)
U3161	87T 48DP CNC Spur Gear - Mi4/Mi5
U3162	89T 48DP CNC Spur Gear - Mi4/Mi5
U3163	114T 64DP CNC Spur Gear - Mi4/Mi5
U3165	118T 64dp CNC Spur Gear - Mi4/Mi5
U3247	70T 48DP CNC Spur Gear - Mi4/Mi5
U3248	96T 64dp CNC Spur Gear - Mi4/Mi5
U3269	90T 64DP CNC Spur Gear - Mi4/Mi5
U3270	106T 64DP CNC Spur Gear - Mi4/Mi5
U3386	Ceramic Bearing - 4x8x3 - Shielded (pr)
U3387	Ceramic Bearing - 5x9x3 MR95 (pr)
U3490	Alloy Servo Mounts Purple
U3508	CNC Ball Diff Pulley and Fences; 36T - Mi4LP
U3560	74T 48DP CNC Spur Gear Mi4/Mi5
U3570	Alloy Wheel Hex; Slim+O ring - Mi4LP (pr)
U3582	Precision Balance Pivot Set
U3820	Alloy Ball Diff Output; Male - Mi4CX/Mi5
U3821	Alloy Ball Diff Output; Female - Mi4CX/Mi5
U3833	Driveshafts; Alloy Rear - Mi4CX/Mi5 pr
U3840	Driveshaft; Alloy Axle Rear - Mi4CX/Mi5 1pc
U3841	Driveshaft; Alloy Bone Front - Mi4CX/Mi5 1pc
U3842	Driveshaft; Alloy Bone Rear - Mi4CX/Mi5 1pc
U4217	Vented Shock Cap Service Kit-Small/Big Bore pr
U4230	M3 x 6mm Alloy Button Head Screws pk10
U4231	M3 x 8mm Alloy Button Head Screws pk10
U4232	M3 x 10mm Alloy Button Head Screws pk10
U4233	M3 x 12mm Alloy Button Head Screws pk10
U4234	M3 x 6mm Alloy Csk Screws pk10
U4235	M3 x 8mm Alloy Csk Screws pk10
U4236	M3 x 10mm Alloy Csk Screws pk10

**SPEED SECRET - OPTION PARTS Cont.**

U4237	M3 x 12mm Alloy Csk Screws pk10
U4238	M3 x 16mm Alloy Csk Screws pk10
U4295	C/F Optional Rear Hub Carrier Arm Set - Mi5 (2pr)
U4321	Alloy Wheel Shims 0.50 & 1.00mm - Mi5 - (8pc)
U4322	Bando Mid Motor Front Belt 128T - Mi5
U4323	Bando Mid Motor Rear Belt 103T - Mi5
U4325	Diff Pro Ball - Assembled - Mi5
U4326	Titanium Turnbuckle; purple - 35mm (pr)
U4327	Alloy Servo Mount Black - K1/Mi5
U4328	Impact Servo Saver
U4329	Impact Servo Saver Mouldings
U4330	Impact Servo Saver Springs
U4338	Driveshafts; Alloy Front - Mi5 pr
U4343	Ceramic Bearing Set - Mi5 (14pcs)
U4344	Ceramic Bearing - 5x8x2.5mm (pr)
U4361	64T - 48DP - CNC Spur Gear - Mi3/4/5
U4563	C/F Top Decks 2.5mm - Mi5 Evo (pr)
U4570	Ti Screw Set for Schumacher Mi5evo (81pcs)
U4571	Ti Ball Stud Set - Mi5evo (22pcs)
U4572	Mi5evo - M3 Alloy Screw Set
U4573	Micro Caster Block 6deg - Mi5evo - 1(pr)
U4574	Front Roll Bar Set - Mi5evo
U4575	Rear Roll Bar Set - Mi5evo
U4576	Mid Motor Conversion - Mi5evo
U4578	C/F Mid Motor Topdecks - Mi5evo (1pr)
U4579	Ti Turnbuckle Set - Mi5evo (7pc)
U4580	5th Body Post Set - Mi5evo
U4581	C/F Rear Wishbone 2.5deg - Mi5evo - (1pr)
U4582	C/F Rear Wishbone 2.0deg - Mi5evo - (1pr)
U4583	Alloy Wishbone Spacer Plate 0.5mm - Mi5evo (4pc)
U4584	Emulsion shock Rebuild kit
U4585	C/F Single Position Servo Mount - Mi5evo
U4588	Blinky Motor Mount - Mi5evo
U4596	Suspension shim 0.1mm - Mi5evo
U4597	Shock Shaft Titanium - Ti-Nitride Mi5evo (1pr)
U4598	44T 48DP CNC Spur Gear - Mi5evo
U4599	Titanium Pro Pin; 2.5mmx27.5mm Rear (pr)
U4600	Titanium Pro Pin; 2.5mmx21.25mm Front (pr)
U4601	C/F Wishbone Straps Set - Mi5evo
U4602	C/F Steering Arm Extra Lock - Mi5evo - (1pr)
U4603	80T 48DP CNC Spur Gear - Mi5evo
U4604	59T 64DP CNC Spur Gear - Mi5evo
U4605	Top Deck Stiffener Set - Mi5evo
U4606	Offset Servo Horn 23t - Mi5evo (1pc)
U4607	Offset Servo Horn 25t - Mi5evo (1pc)
U4608	Alloy Chassis - Mi5evo
U4609	C/F Top Decks 3mm - Mi5 Evo (pr)
U4610	Alloy Eccentric - Mi5evo (1pr)

**TOOLS**

CR044	CORE RC - Curved Body Scissors
CR045	CORE RC - Straight Body Scissors
CR100	Shock Shaft Pliers - Purple
CR101	Shock Shaft Pliers - Black
CR102	Magnetic Parts Tray - Purple
CR103	Magnetic Parts Tray - Black
CR148	CORE RC - Polybutler Pit Box; Black
CR197	CORE RC - Glass Set Up Board
CR233	Piston Drilling Kit-1.1, 1.2, 1.3, 1.4, 1.5mm
ED120115	Ball Allen Wrench 1.5mm x 120mm
ED180001	Graphite Flat Set-Up Board for 1/12 & 1/10 On-Road
ED181001	Chassis Droop Gauge Blocks 10mm for 1/10 - (2)
ED181004	Chassis Droop Gauge 3-10mm for 1/10 Cars (10mm)
ED181007	Ultra-Fine Chassis Droop Gauge 4.0-6.6mm
ED181008	Ride Height Gauge - 0mm - 15mm (Bevelled)
ED181009	Quick Downstop Gauge Tool - 1.0 - 6.5mm
ED181012	Alu Set-Up Wheels (4)
ED190012	Reamer with Protection Cap for Body - 14mm
ED290801	Specialized Tool Set for 1/10 EP with Alloy Case
G353	Schumacher Glass Set Up Board
H1026	Ride Height Gauge; Purple Alloy; 0-10mm
H1027	Droop Gauge Set; Purple Alloy - Touring
H1032	Alloy Camber Gauge - 1/10th
H1055	GT85 Lube and Clean Aerosol 400ml

**TOOLS Cont.**

H1056	Loctite 243 Thread Lock
H1057	Loctite Precision Super Glue - 5g
U2075	Camber and Ride Height Gauges - C/C
U2100	Set Up Wheels;Camber and Toe In-SST
U2789	Schumacher Hex Driver - 1.5mm
U2790	Schumacher Hex Driver - 2.0mm
U2791	Schumacher Hex Driver - 2.5mm
U2792	Schumacher Hex Driver - 3.0mm
U2795	Schumacher M3 Nut Driver
U2796	Schumacher M4 Nut Driver
U2818	Schumacher Body Reamer
U3582	Precision Balance Pivot Set
U4229	Steel Spanner - 5.5mm/3.9mm
U4315	C/F Lipo/Roll Bar Block Tool - Mi5

**TYRE ADDITIVE**

C180101	CS Competition Grip Additive
C6400	CS High Grip Additive
C6431	CS Tire Clean Fix
C6440	CS Tire MAX Grip
C6460	CS Speed Grip Carpet
G862	Kimwipes S-200 - Tyre Warmer Tissue
MR0001	Marc Rheinard Outdoor Additive
NR96010	NOSRAM Traction additive carpet
NR96020	NOSRAM Traction additive asphalt
SXT00030	SXT 3.0 Traction Compound

**TYRE WARMERS**

C150101	CS - Tyre Warmers 7.2-15v
CMMMMTW4	CS Tyre Warmer Cups
CR289	CORE RC Tyre Warmer Set
SK-600064-01	Racing Star Tyre Warmers






**3 Layer Soft Shell Team Jacket - Black**

- G339XS Extra Small - 34 inch chest
- G339S Small - 38 inch chest
- G339M Medium - 41 inch chest
- G339L Large - 44 inch chest
- G339XL X Large - 46 inch chest
- G339XXL XX Large - 48 inch chest
- G339XXXL XXX Large - 50 inch chest



**Team Hooded Sweatshirt - Navy Blue**

- G343S Small
- G343M Medium
- G343L Large
- G343XL Extra Large



**G352 Schumacher Team Umbrella**



**2013 Team Polo Shirt - Navy blue**

- G344S Small
- G344M Medium
- G344L Large
- G344XL X Large
- G344XXL XX Large
- G344XXXL XXX Large
- G344XXXXL XXXX Large
- G344XXXXXL XXXXX Large



**2013 Team T-Shirt - Navy blue**

- G342S Small
- G342M Medium
- G342L Large
- G342XL X Large
- G342XXL XX Large
- G342XXXL XXX Large
- G342XXXXL XXXX Large
- G342XXXXXL XXXXX Large



**Caps - Black**

- G340 Schumacher Baseball Cap
- G341 Schumacher Flat bill Cap



**G351 Schumacher Thermo Mug**



**G315 Schumacher Pit Towel**

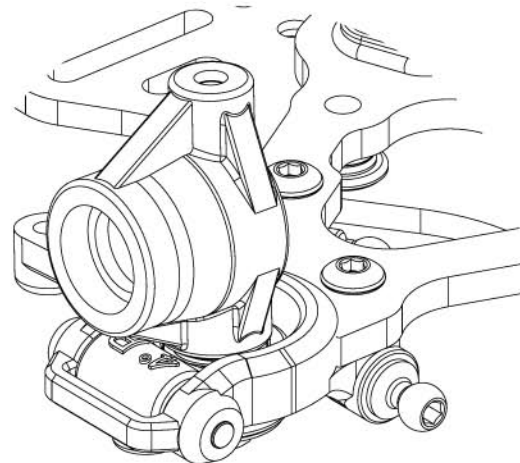
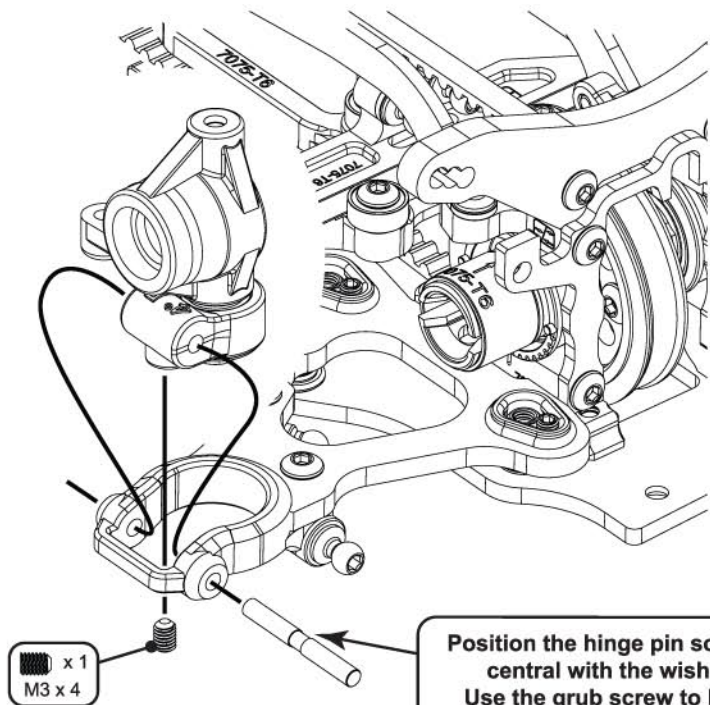


**G310 Schumacher Rubber Pit Mat  
750mm x 500mm**

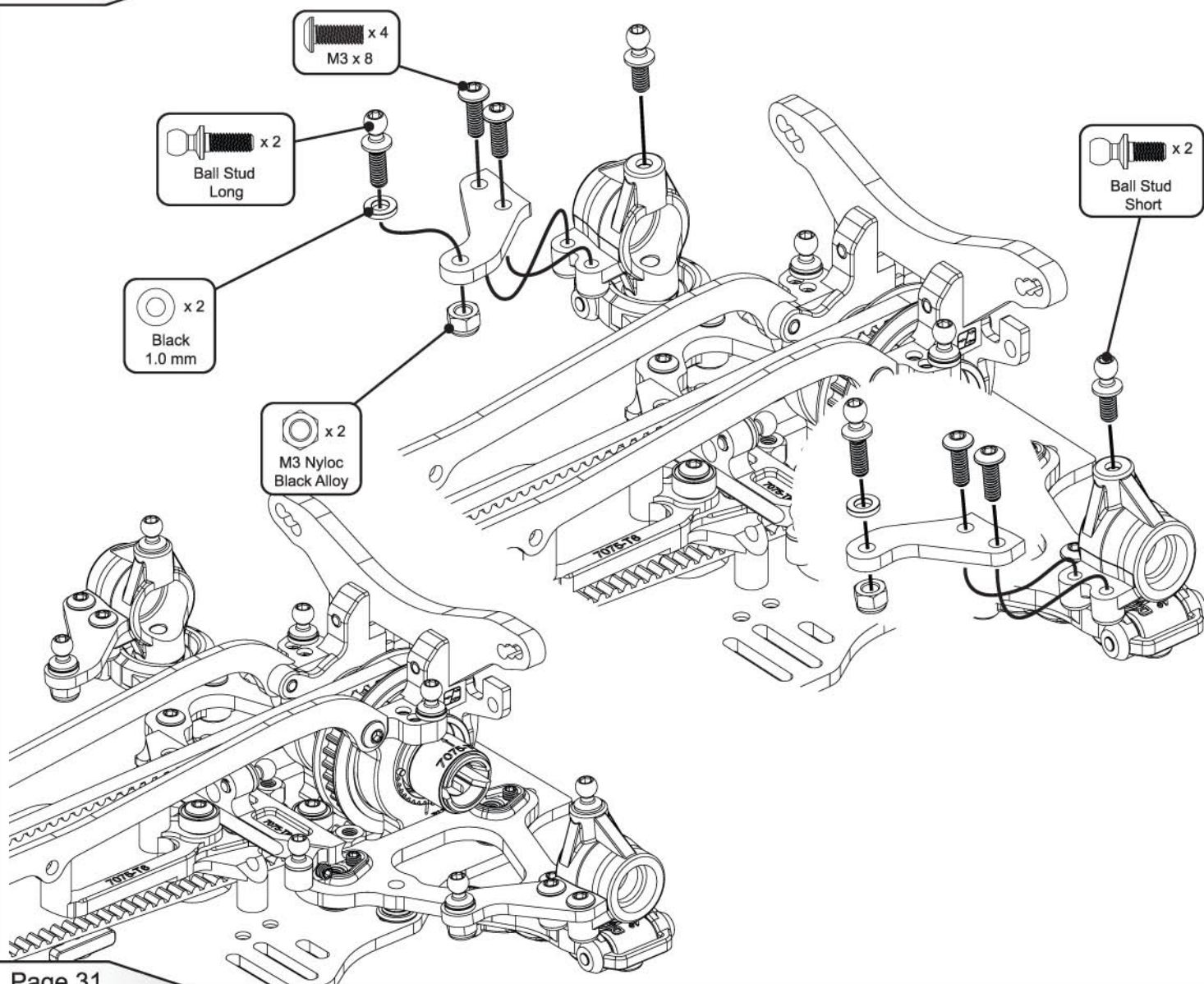


**S500B - Team Schumacher Banner 3ft x 6ft**

B

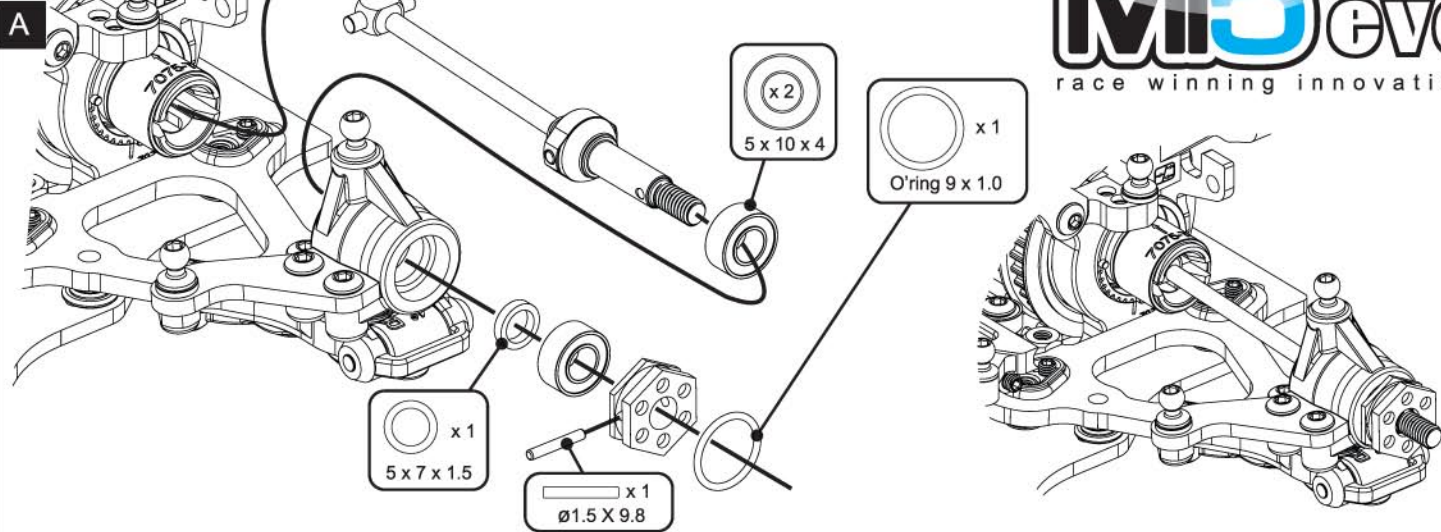


Position the hinge pin so that it is central with the wishbone. Use the grub screw to lock the hinge pin in place.

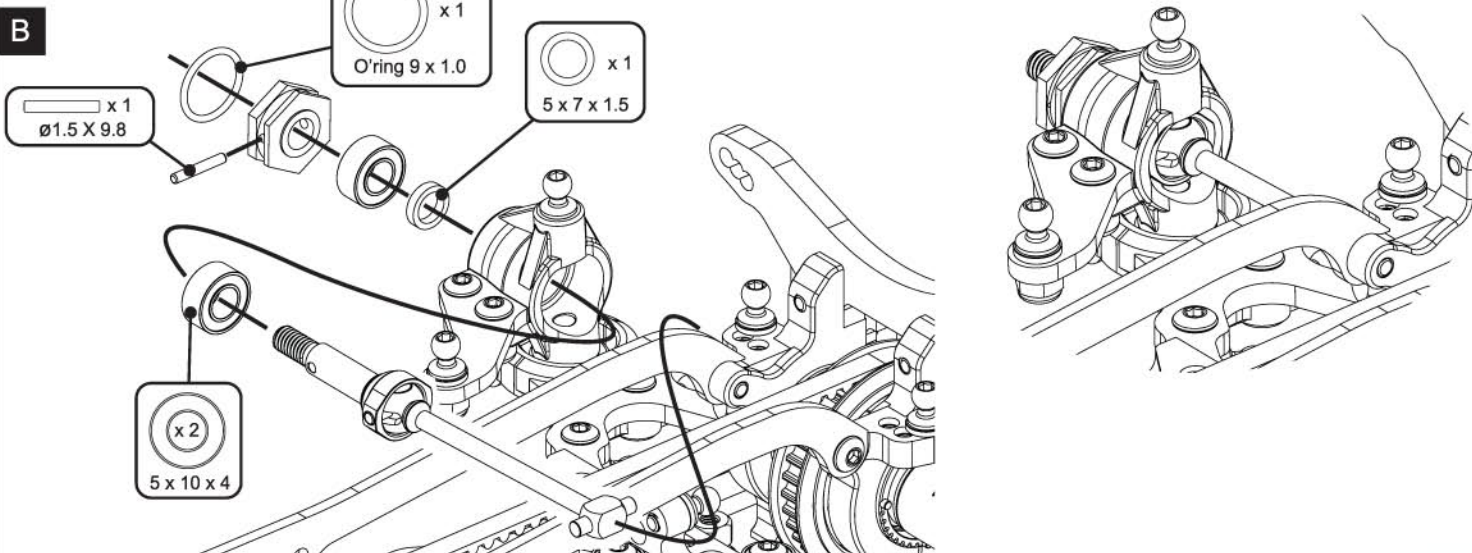




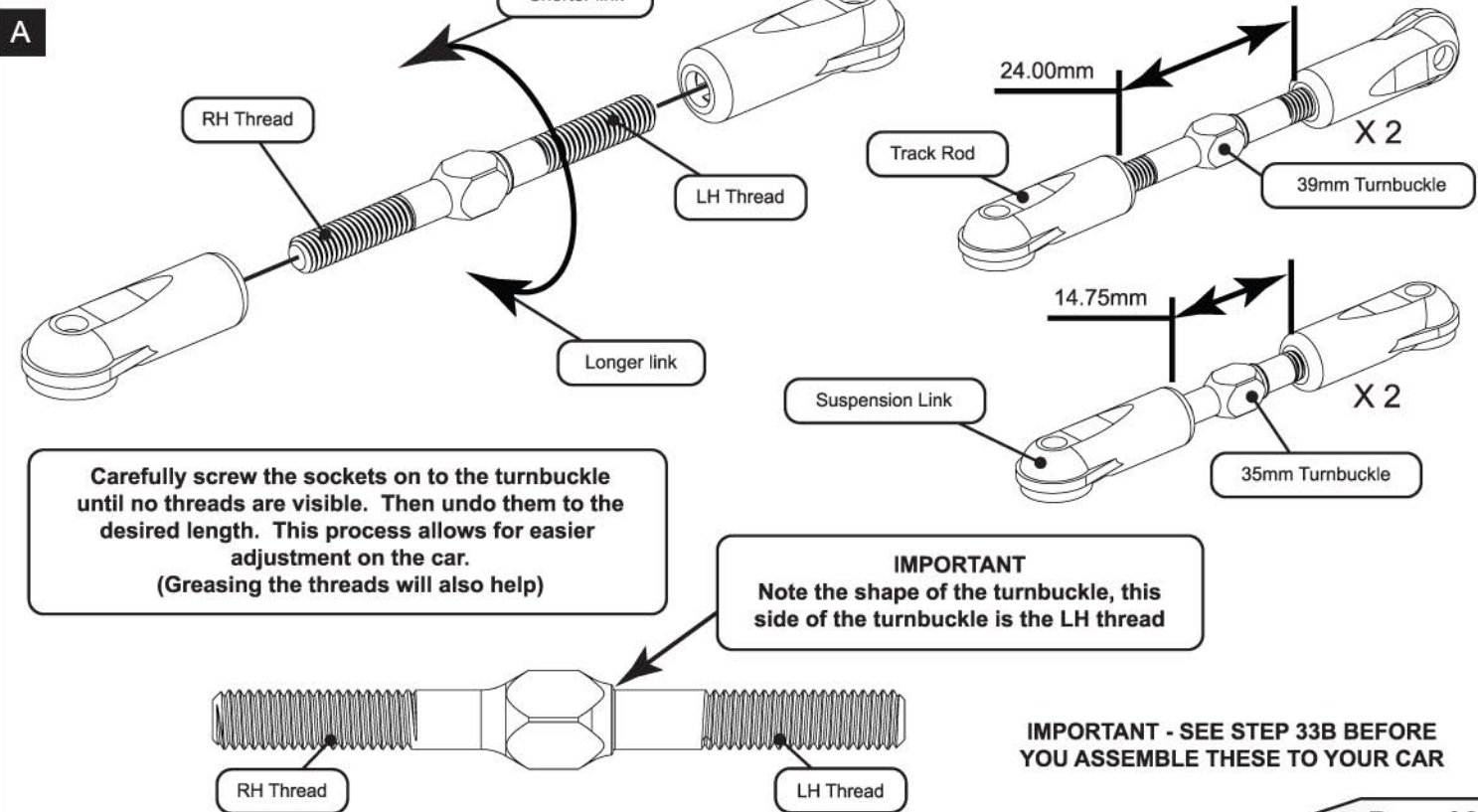
### Step 32



### Step 32

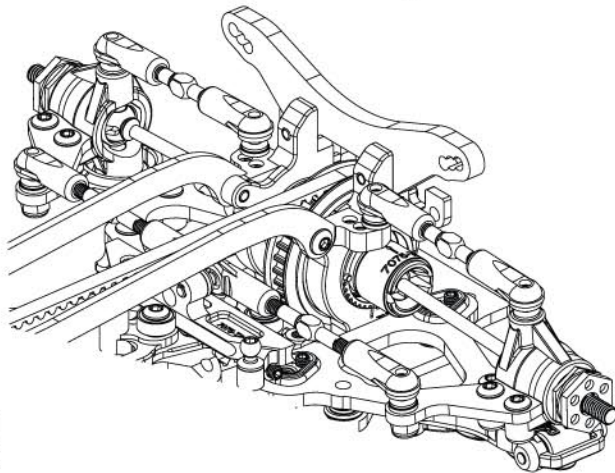
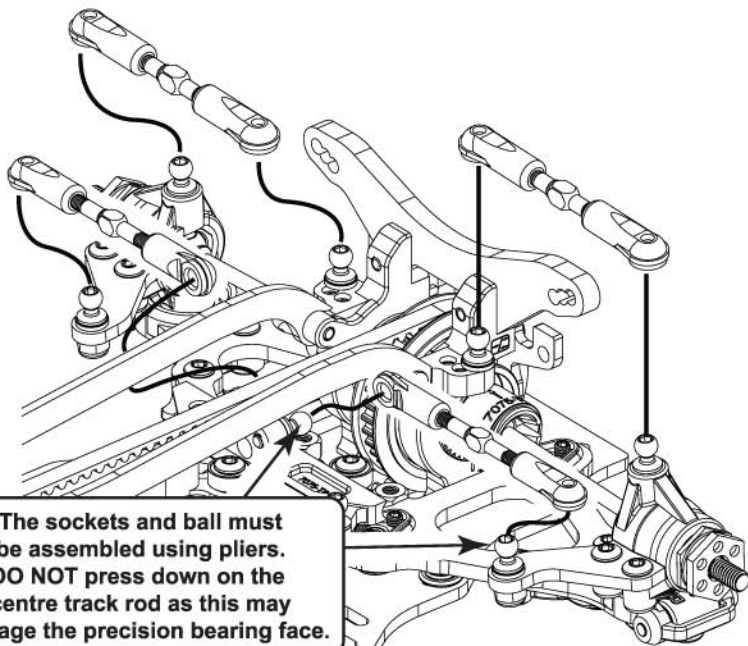


### Step 33



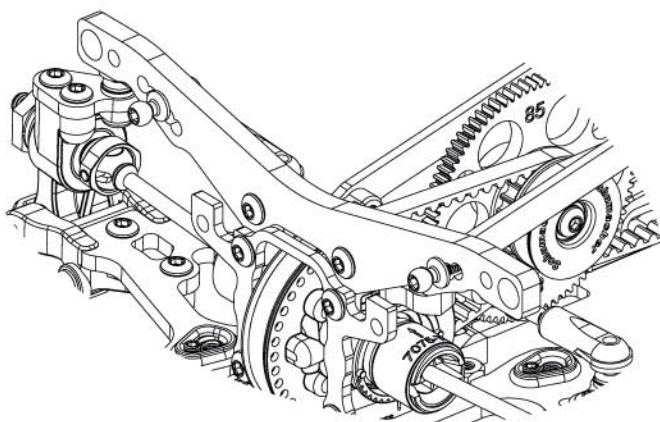
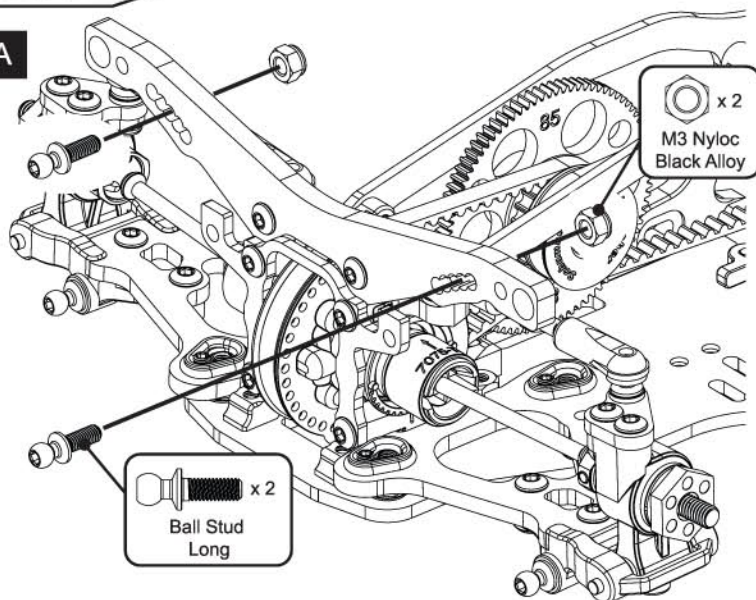
Step 33

B



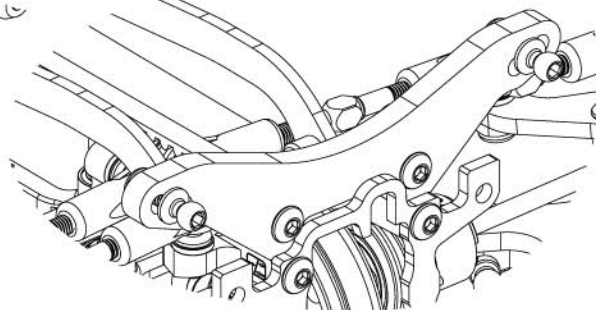
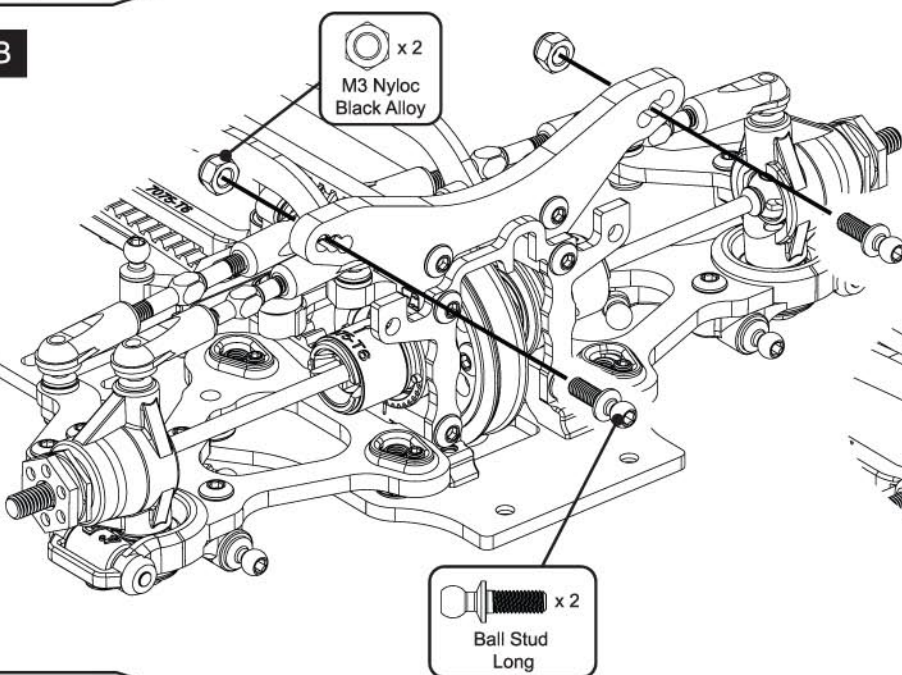
Step 34

A

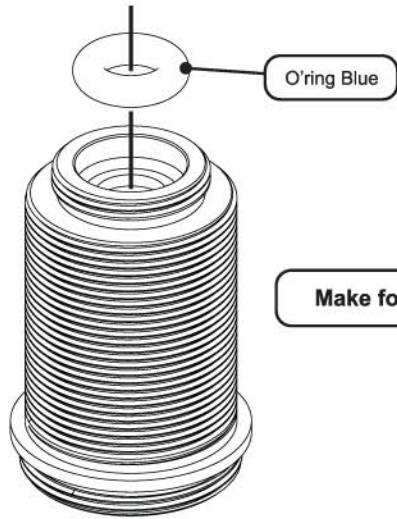


Step 34

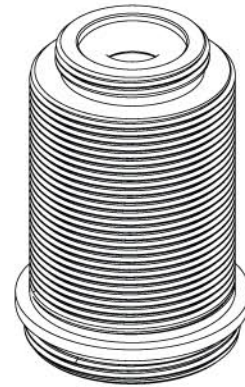
B



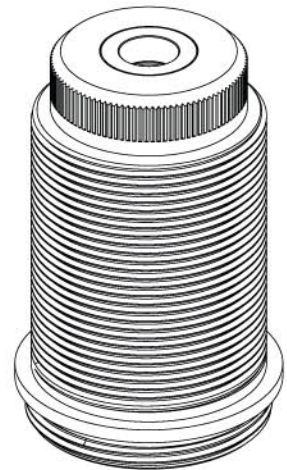
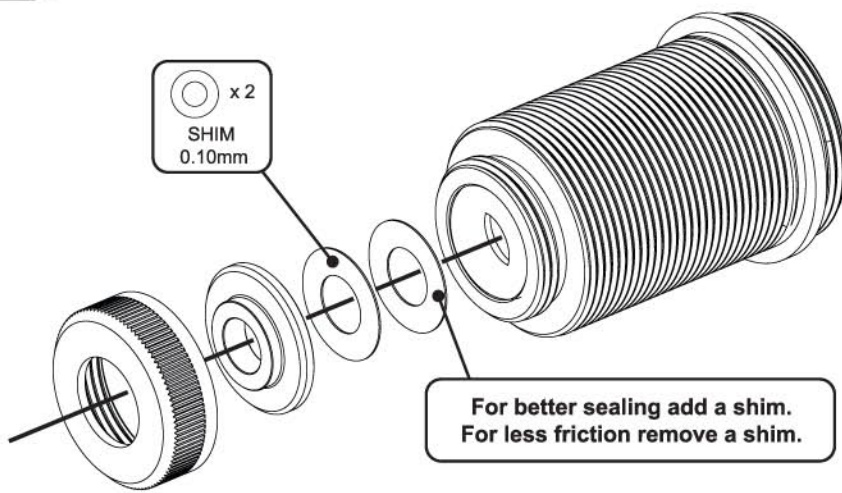
Step 35



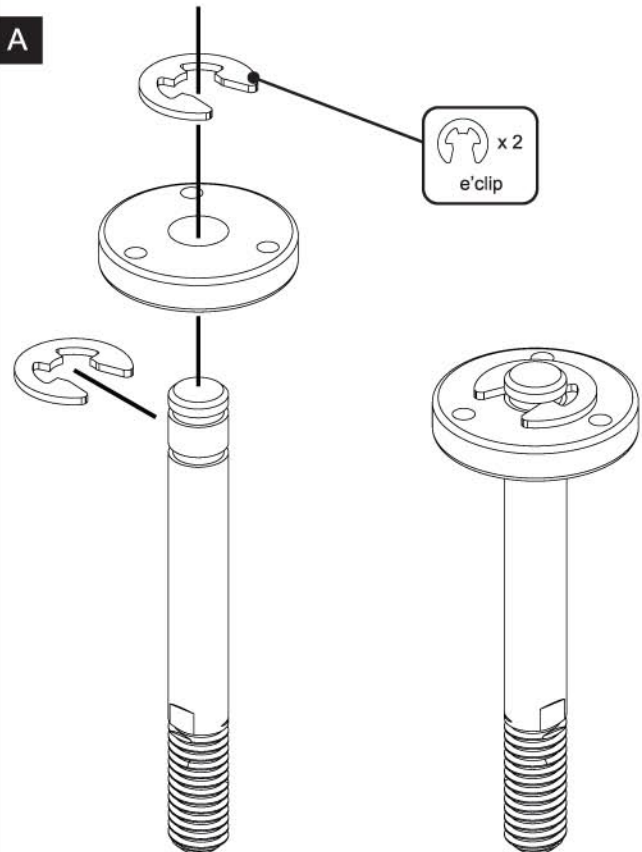
Make four shocks all the same.



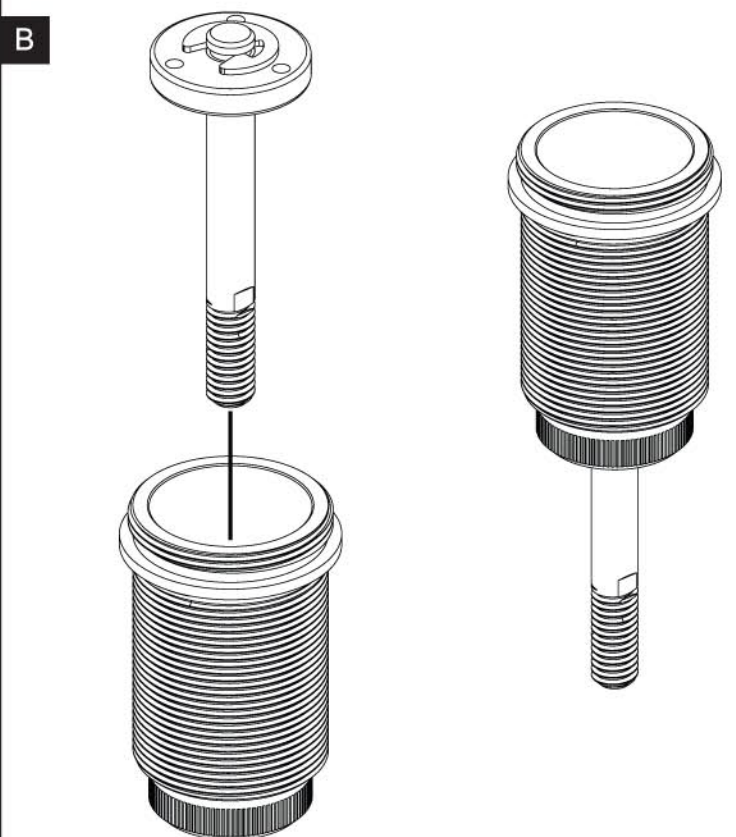
Step 36



Step 37

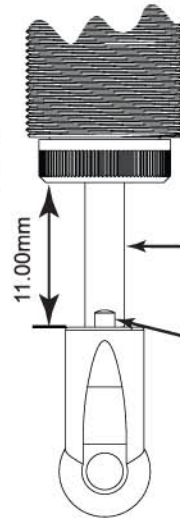
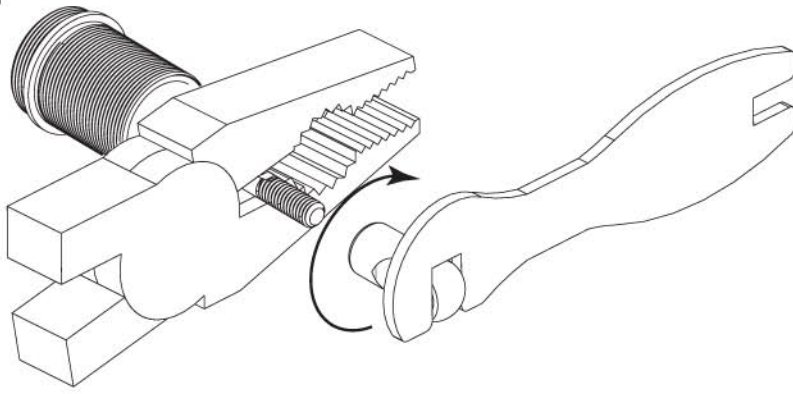


Step 37



Step 38

A



Be careful not to damage the polished shock rod.

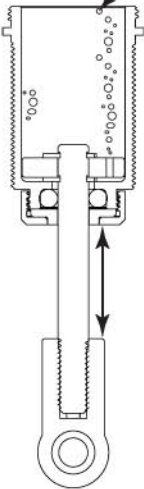
Grip shaft here

Step 38

B

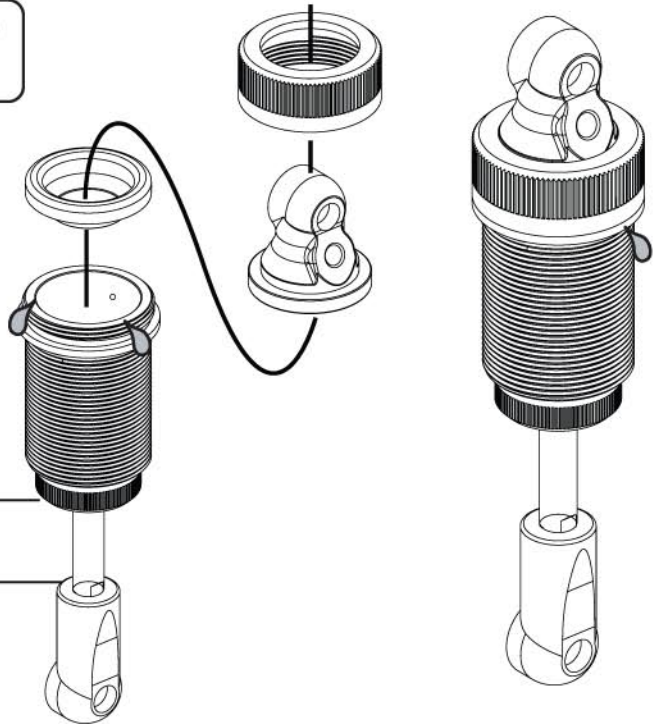


Fill slowly with shock oil until level with top. Move piston up and down slowly to allow all air bubbles to rise and disappear.



Adjust this distance (X) To suit the amount of rebound you want. Bigger distance = More rebound

X

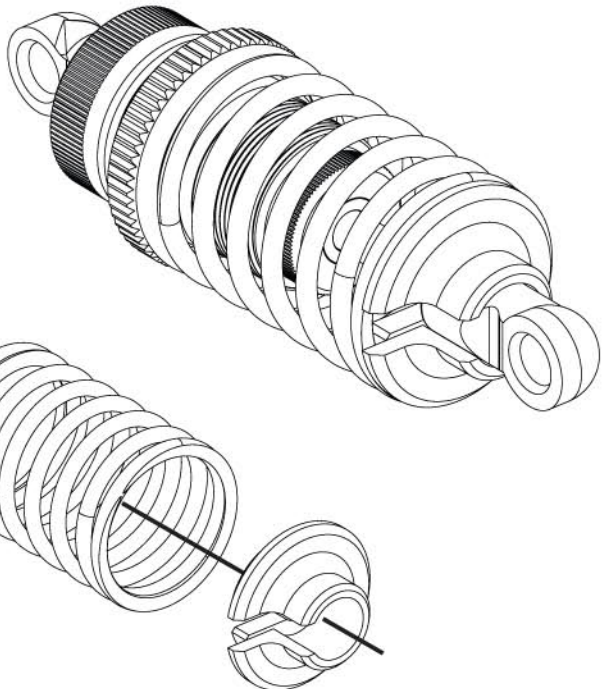


Step 39

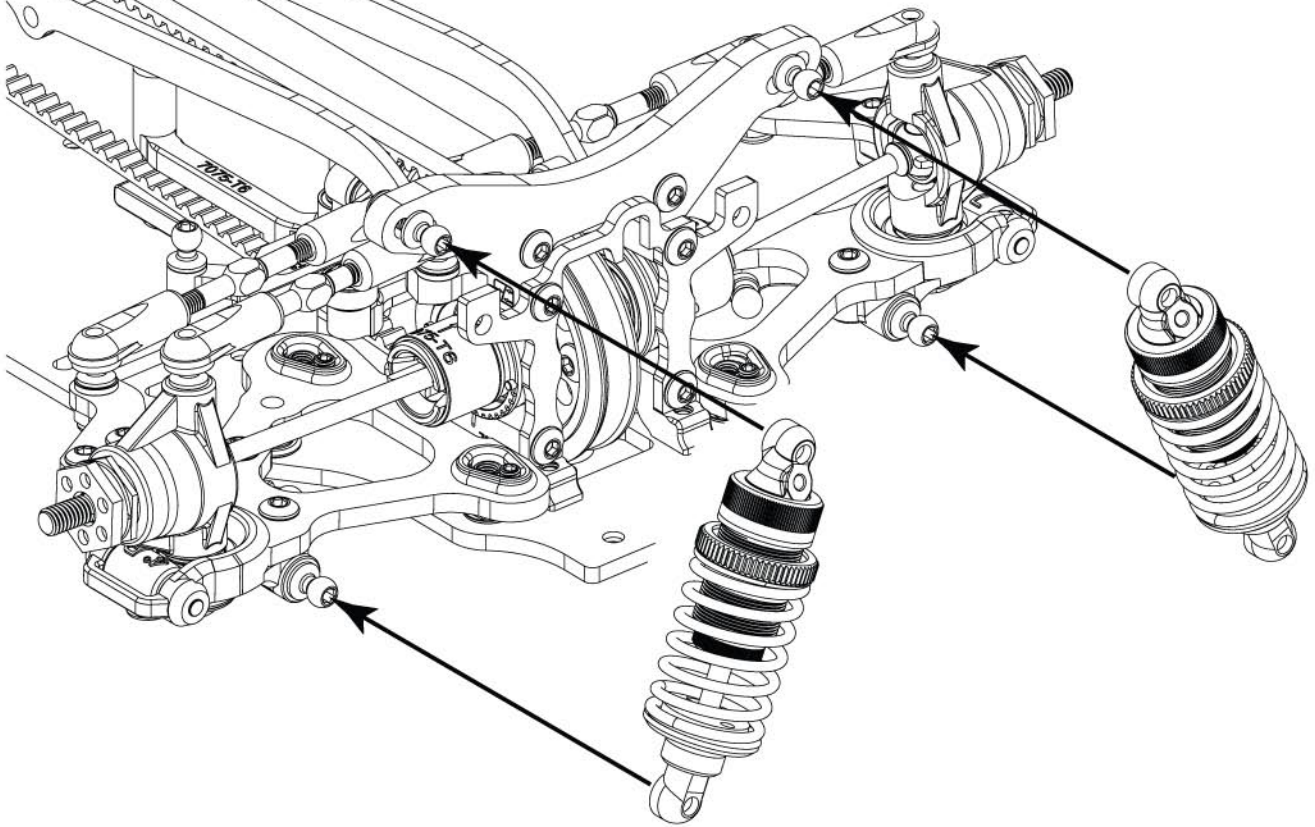
A



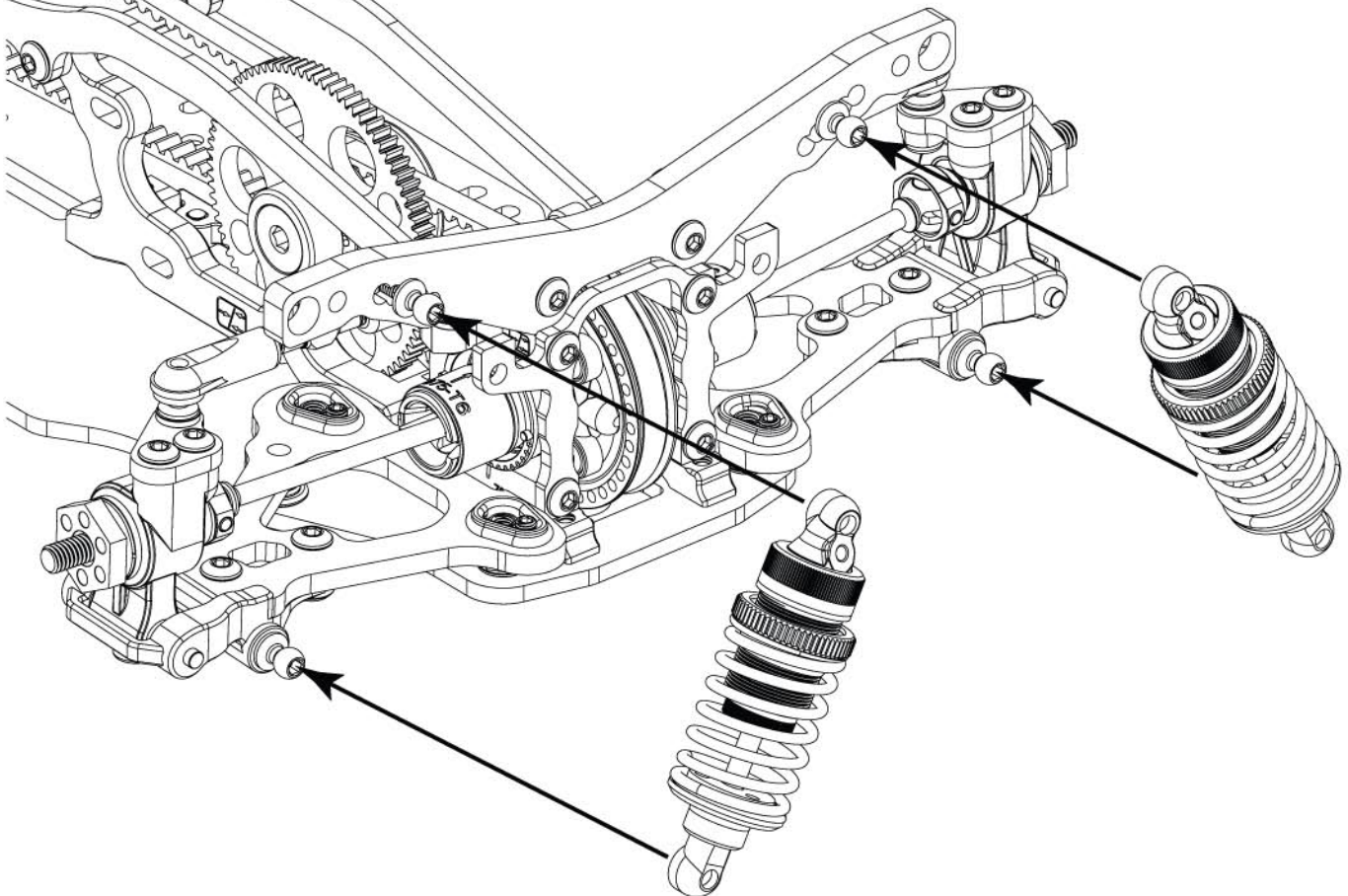
Lubricate the threads with a small amount of shock oil.



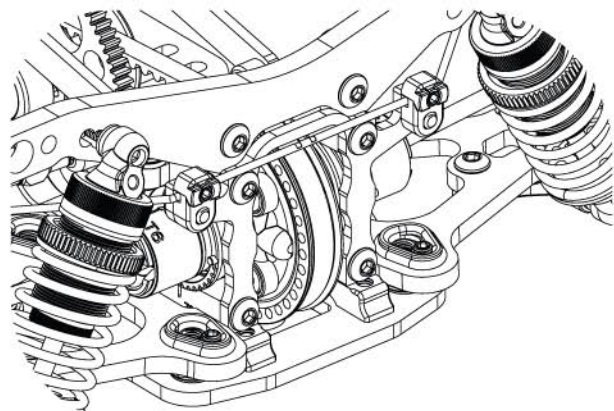
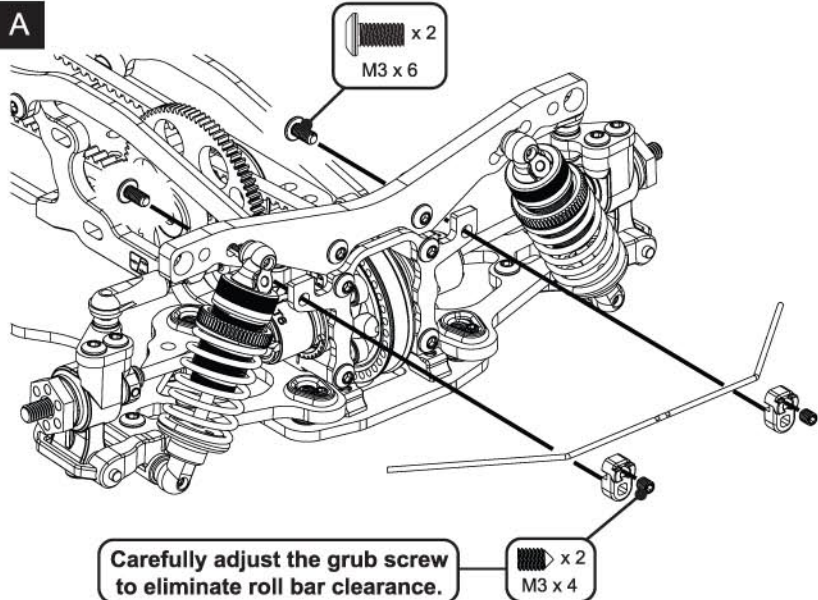
**B**



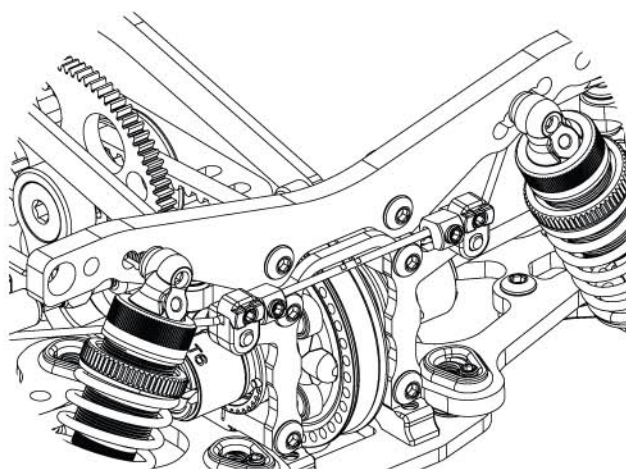
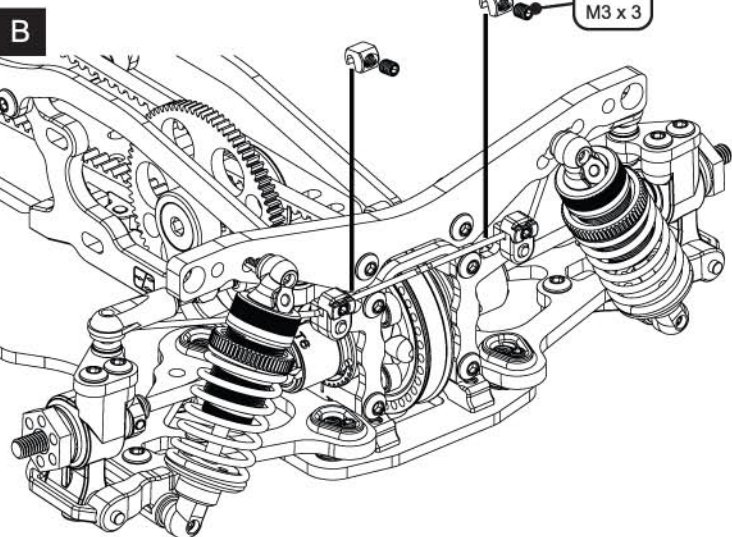
**C**



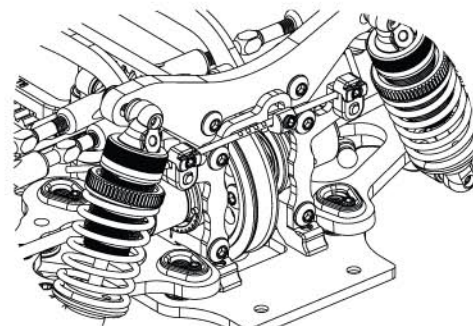
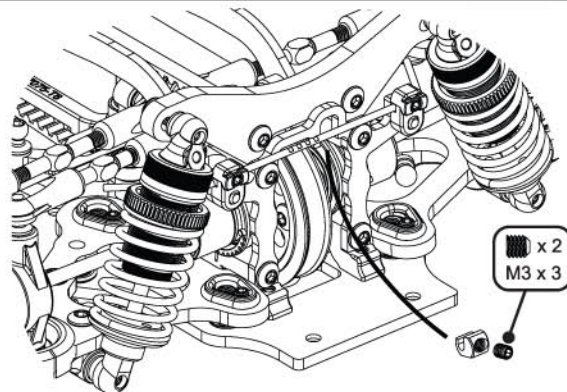
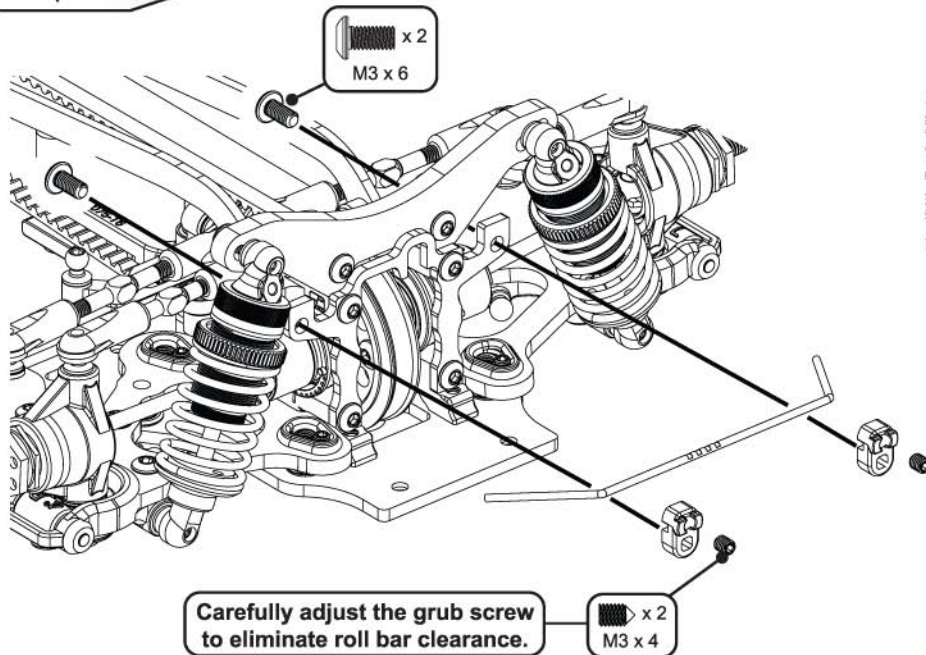
Step 40



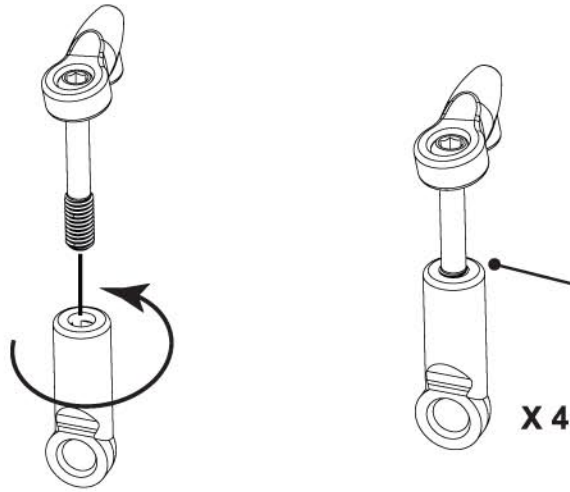
Step 40



Step 41



**A**

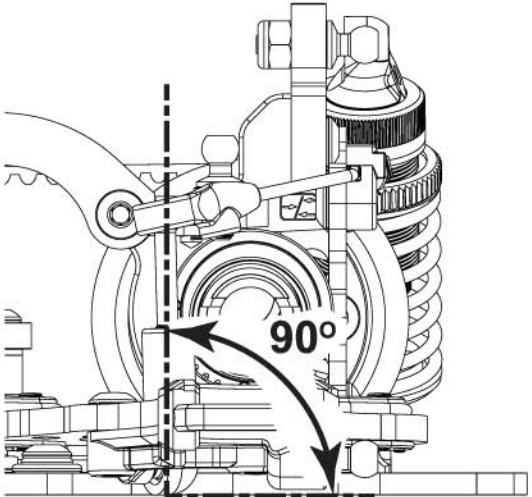
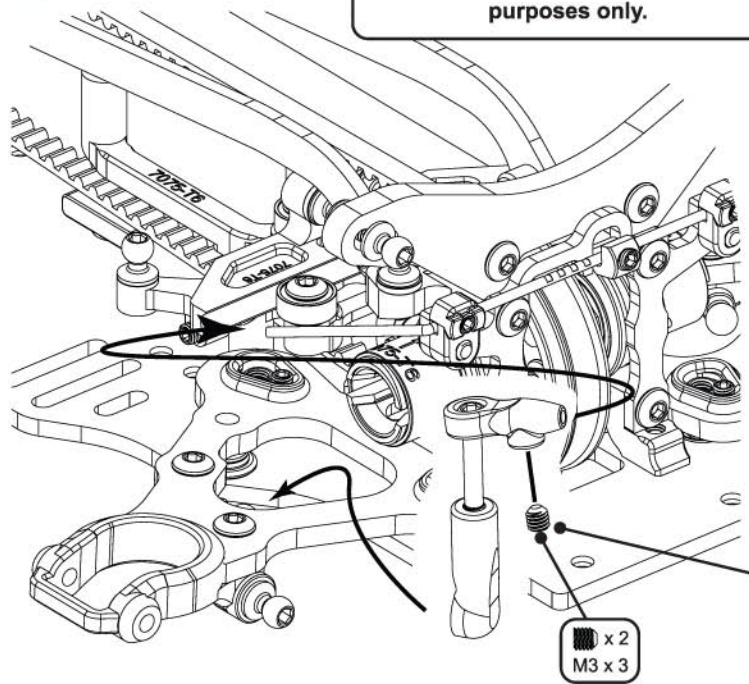


**LINKS**  
Assemble four.  
Adjust to the end of thread.

X 4

**B**

Some parts have been removed for illustration purposes only.

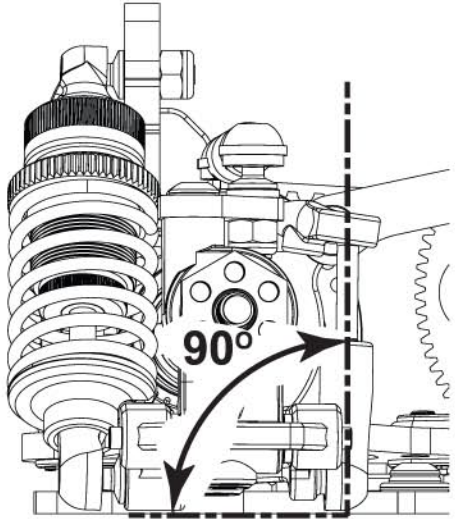
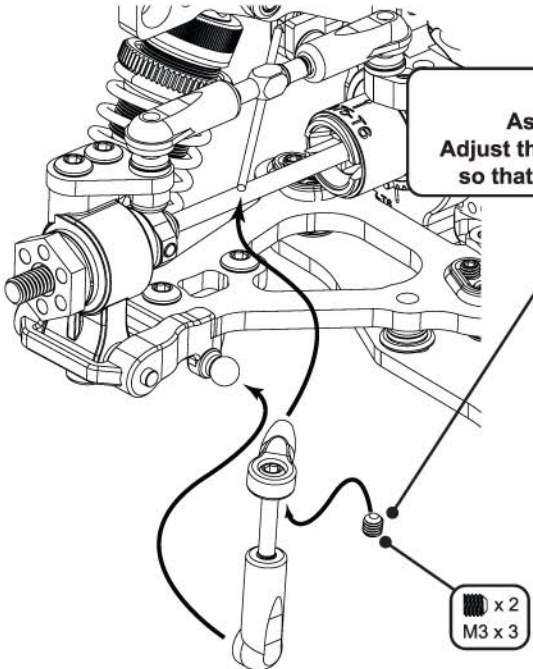


**FRONT LINKS**  
Assemble both sides.  
Adjust the roll bar socket position  
so that the links are as shown.

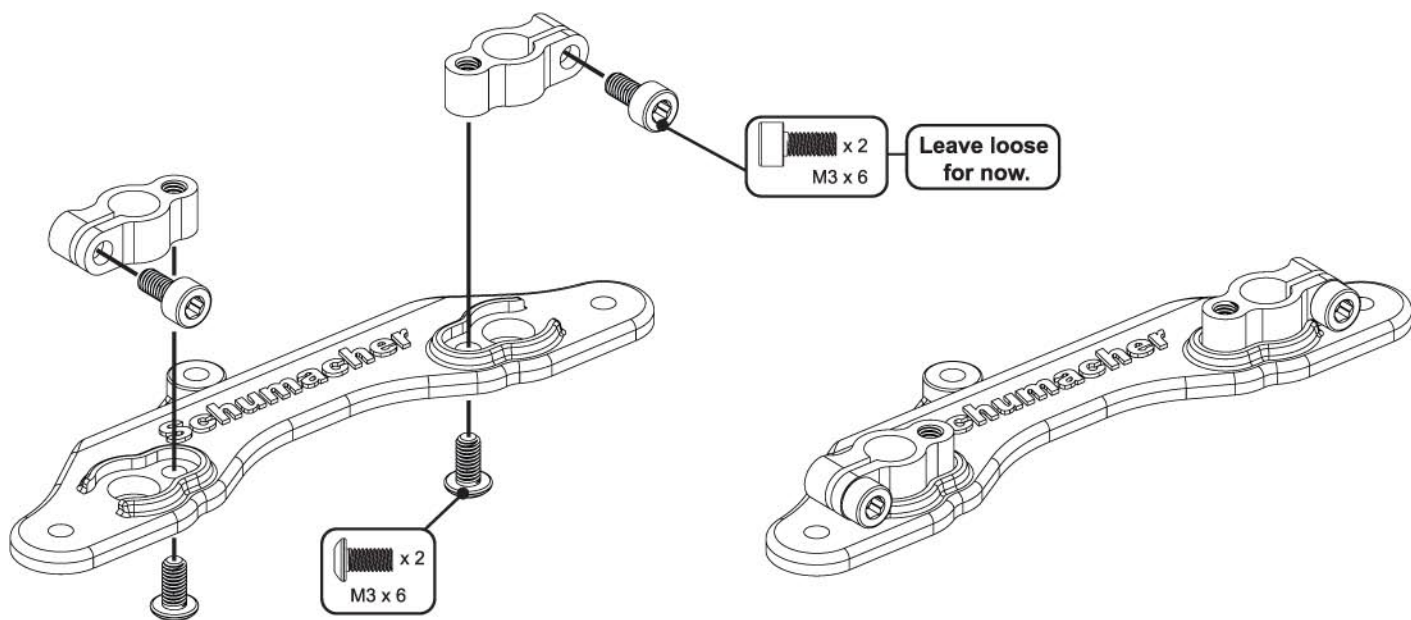
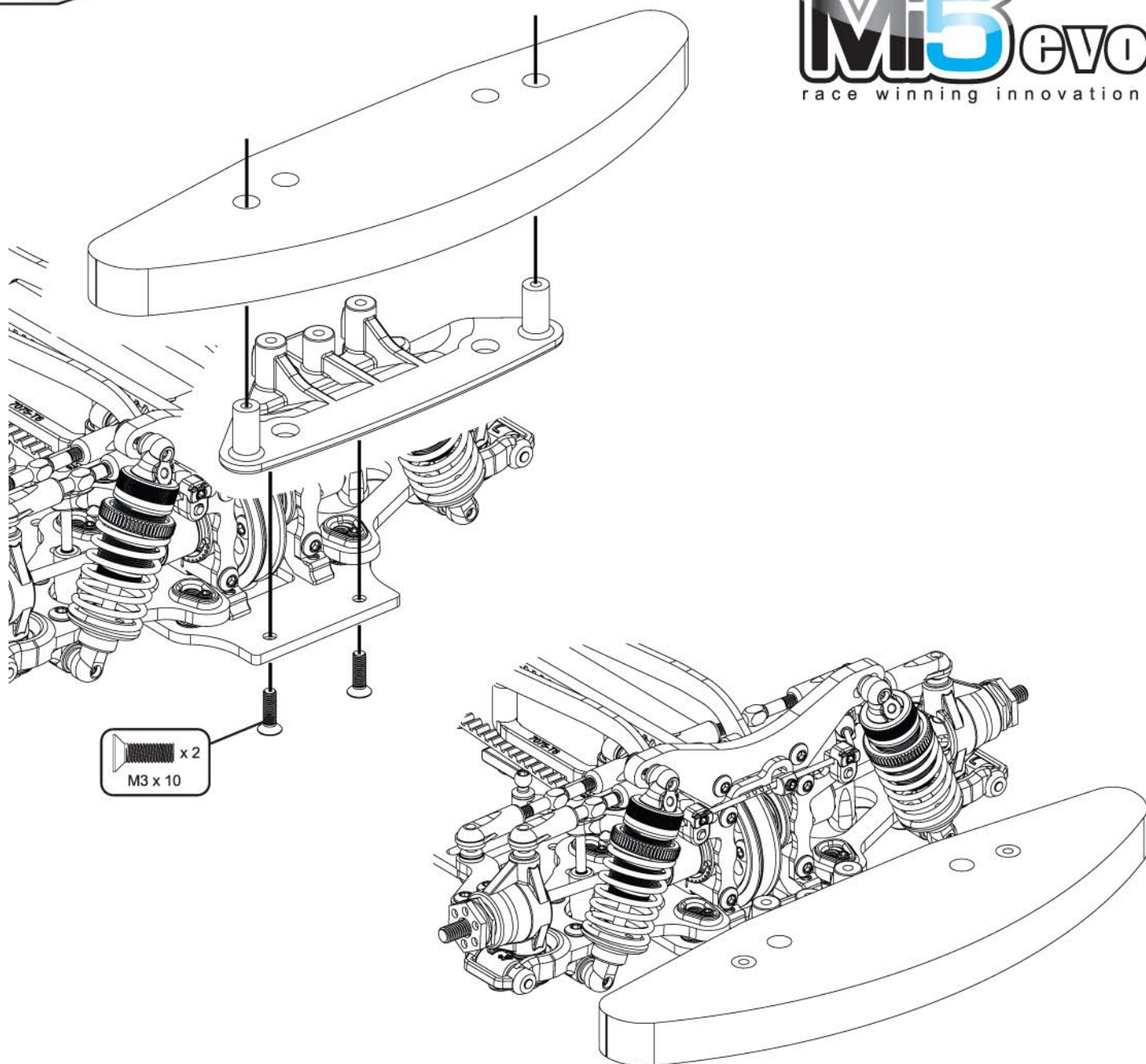
x 2  
M3 x 3

**C**

**REAR LINKS**  
Assemble both sides.  
Adjust the roll bar socket position  
so that the links are as shown.



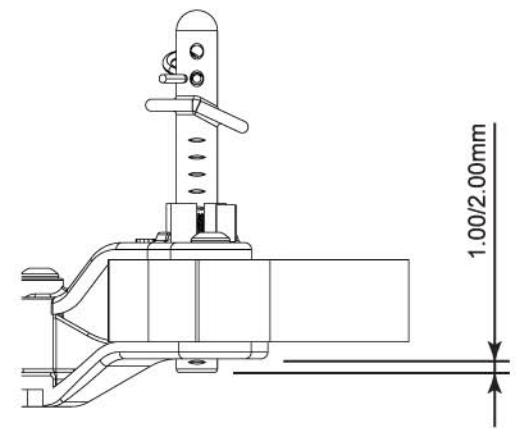
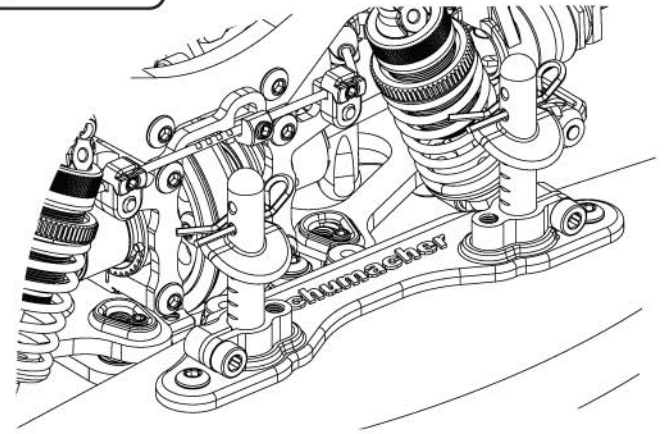
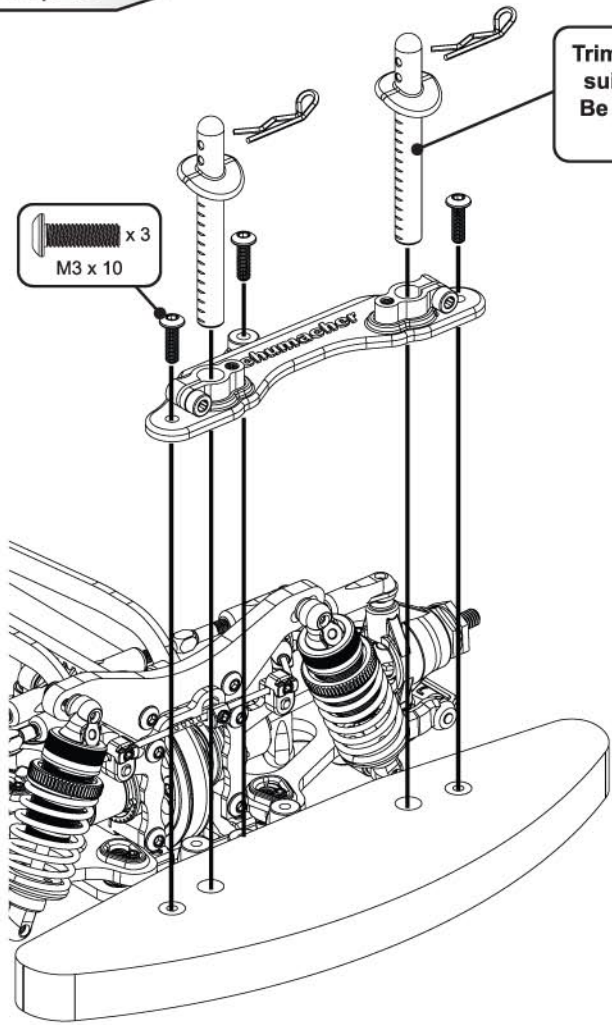
x 2  
M3 x 3





Trim the body post heights to suit your chosen bodyshell.  
Be careful not to overtighten the clamping screws.

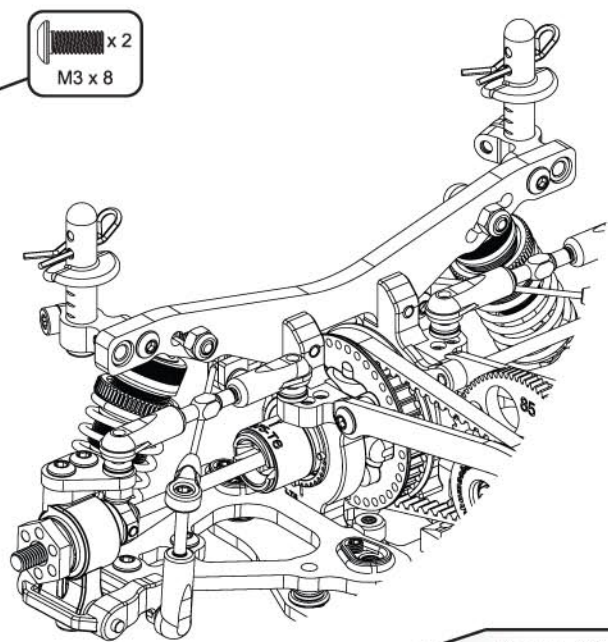
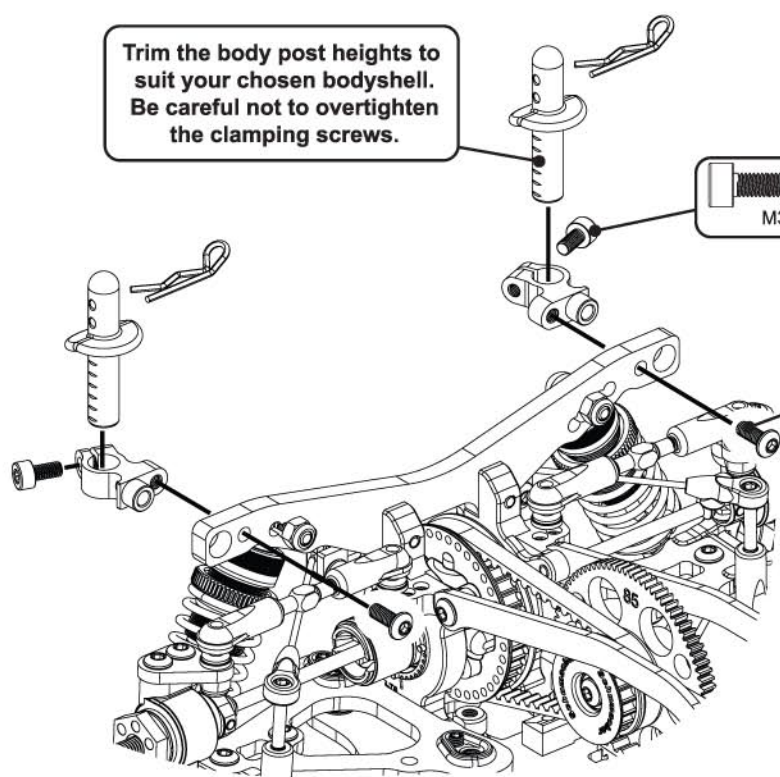
x 3  
M3 x 10



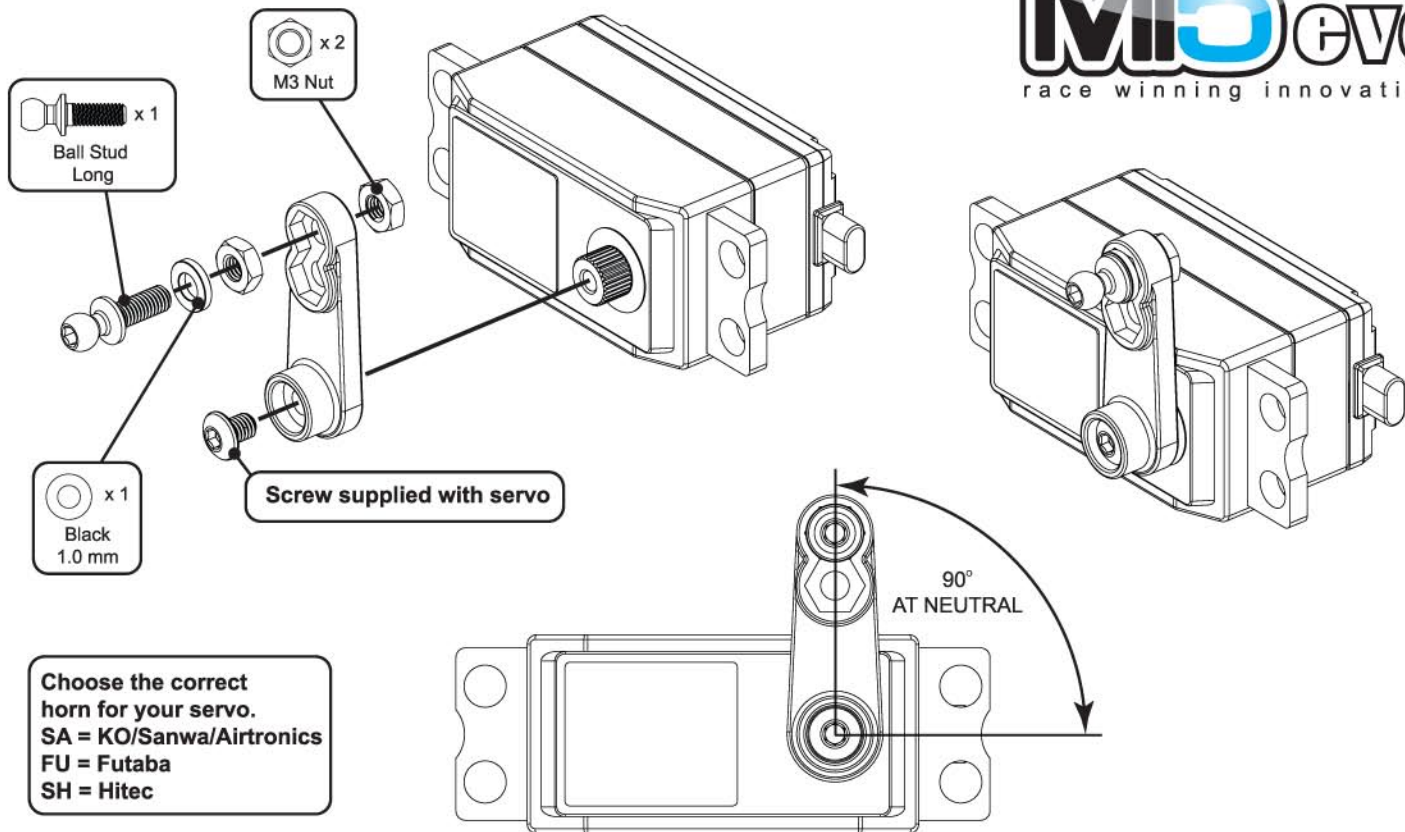
Trim the body post heights to suit your chosen bodyshell.  
Be careful not to overtighten the clamping screws.

x 2  
M3 x 6

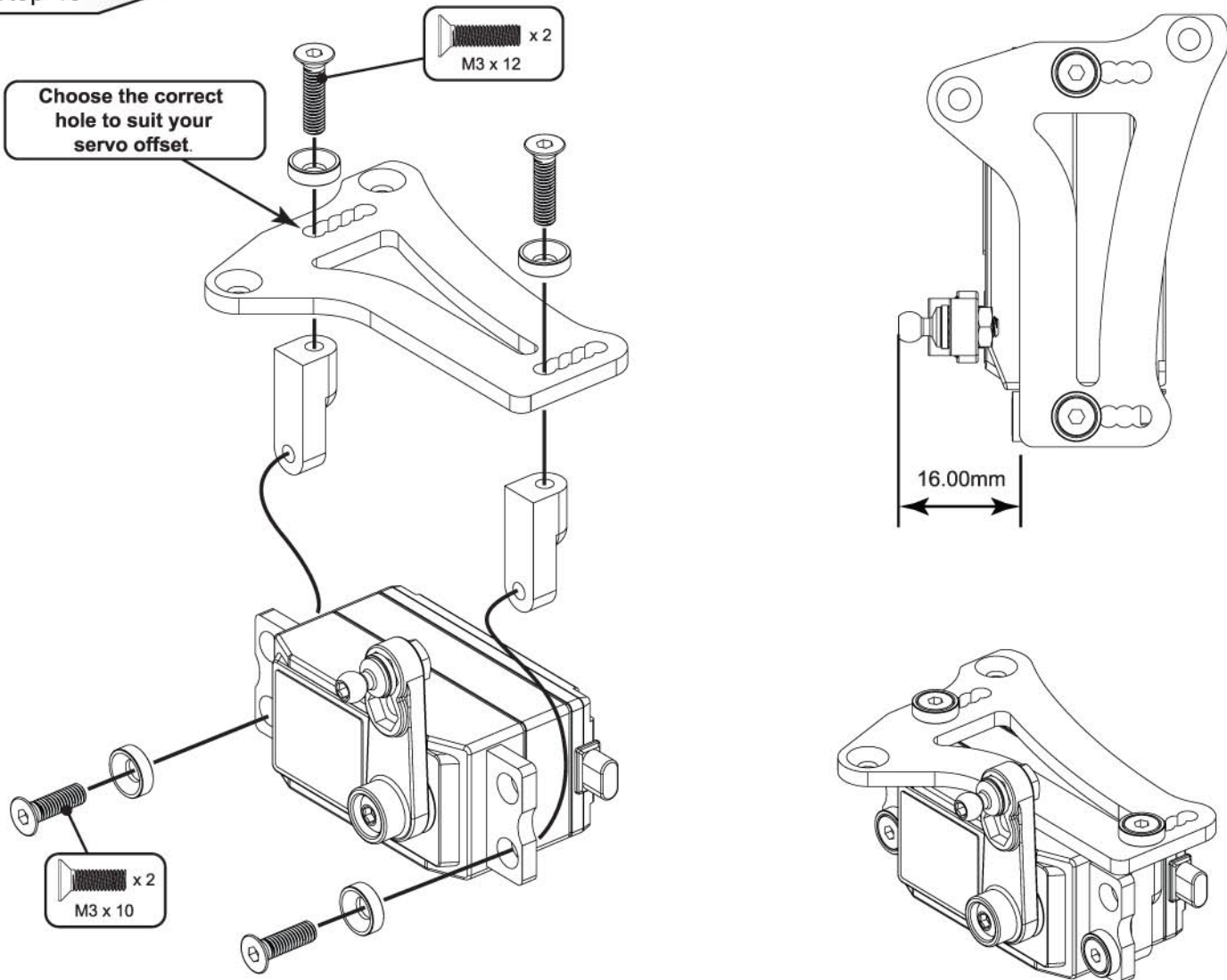
x 2  
M3 x 8



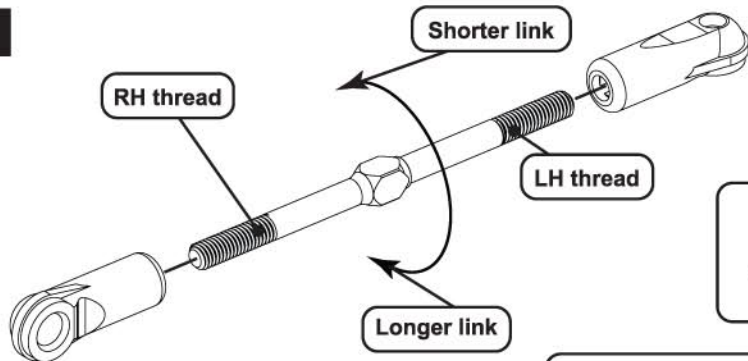
Step 47



Step 48

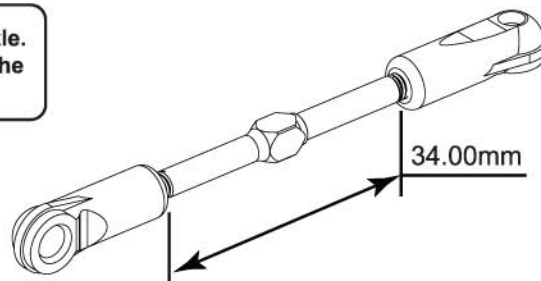
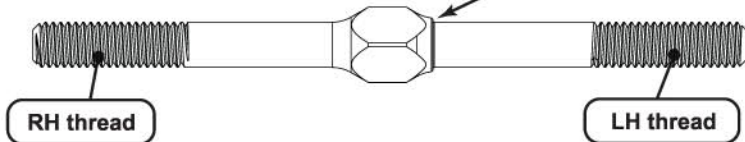


A



Carefully screw the sockets on to the turnbuckle until no threads are visible. Then undo them to the desired length. This allows for easier adjustment on the car. (Greasing the threads will also help)

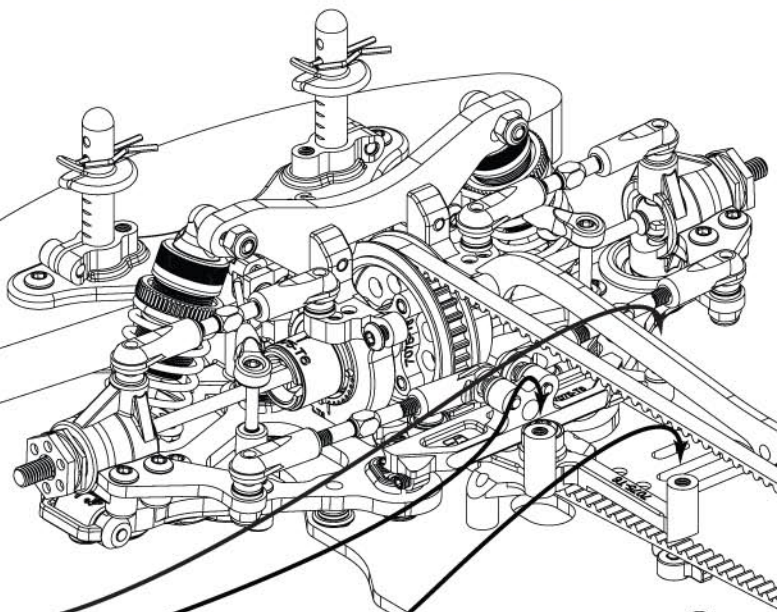
Note the shape of the turnbuckle. This side of the turnbuckle is the Left hand thread.



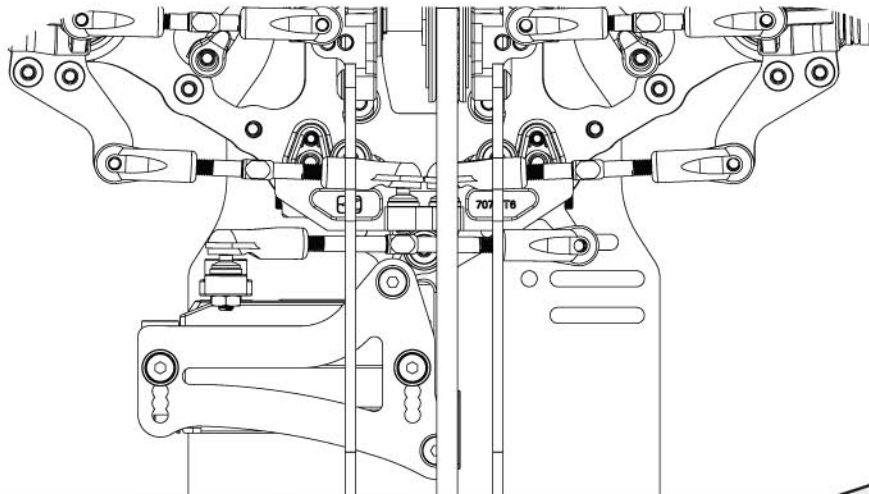
B

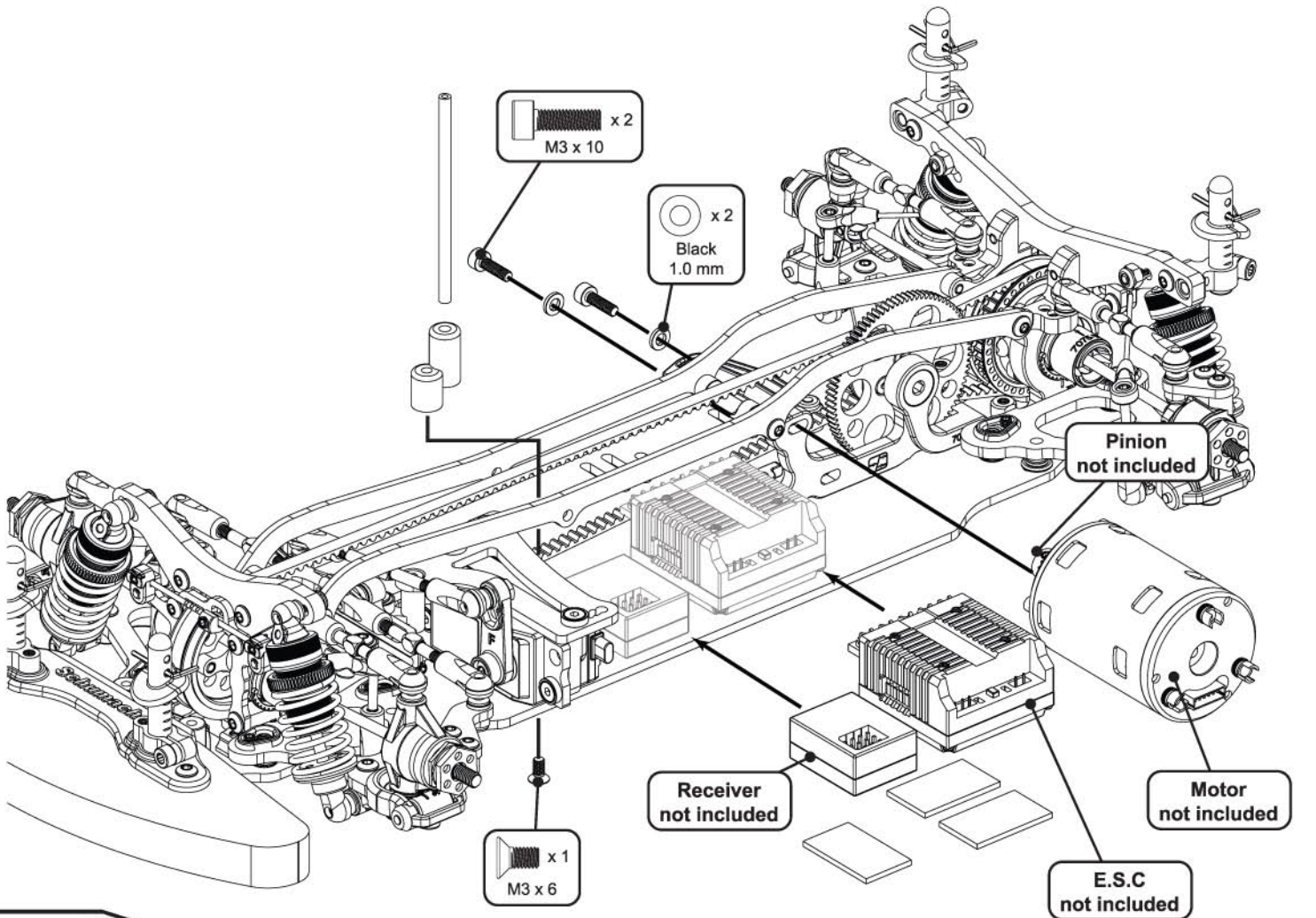
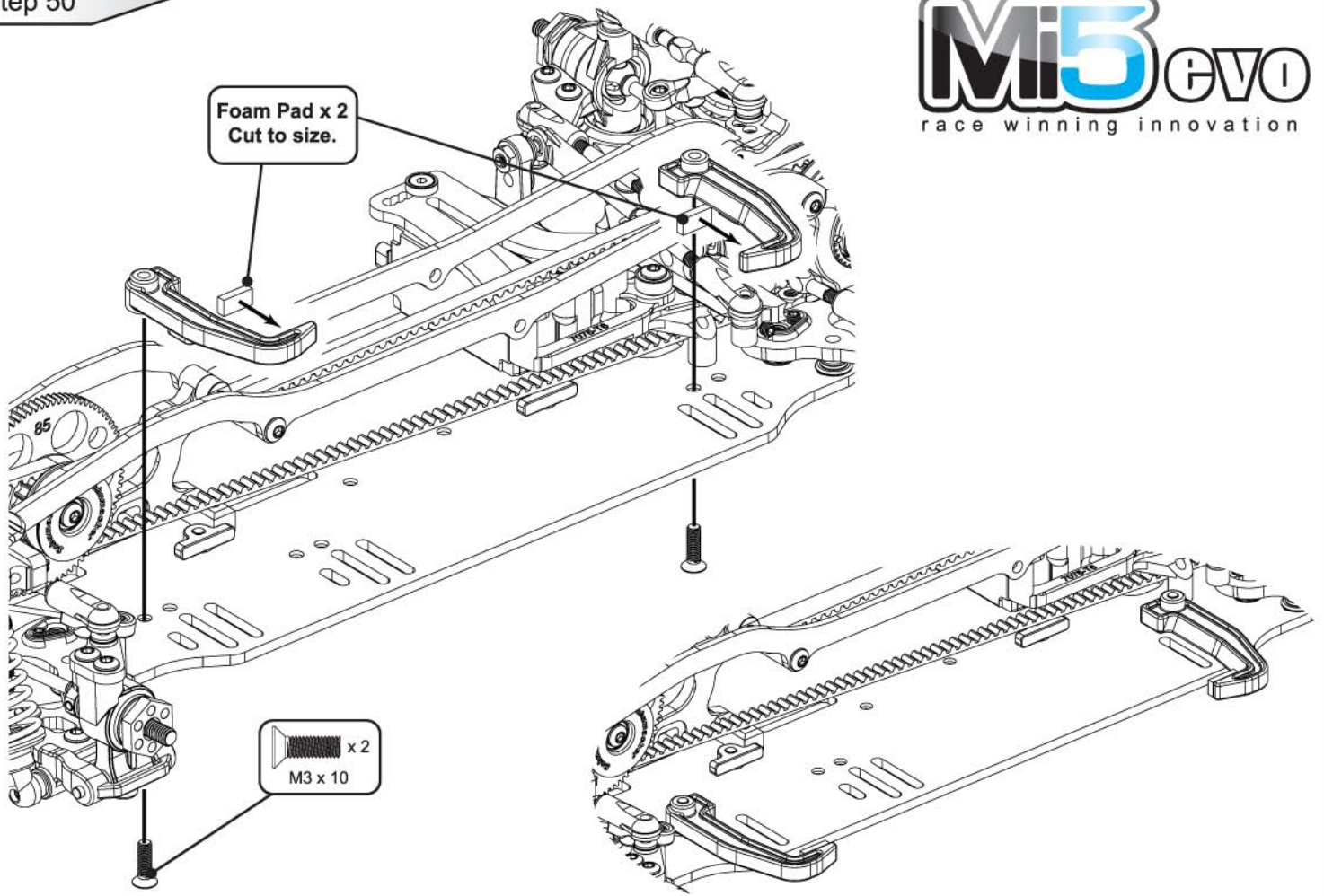
This socket must be assembled using pliers. Do not press down on the centre track rod as this may damage the precision bearing face.

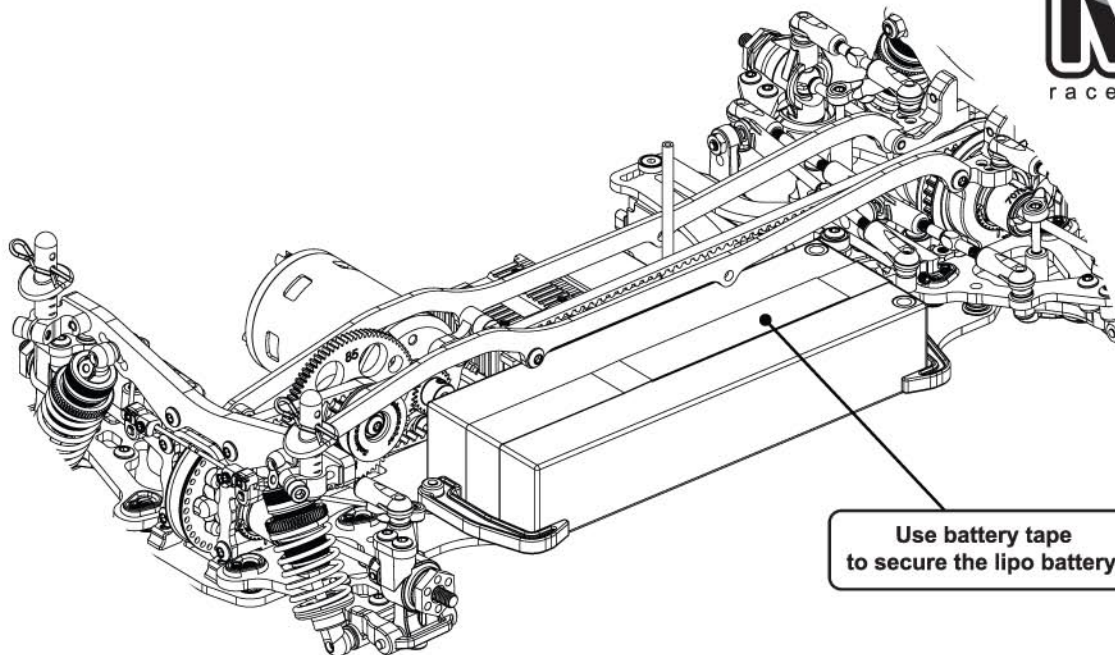
x 2  
M3 x 6



Some parts have been removed for illustration purposes only.



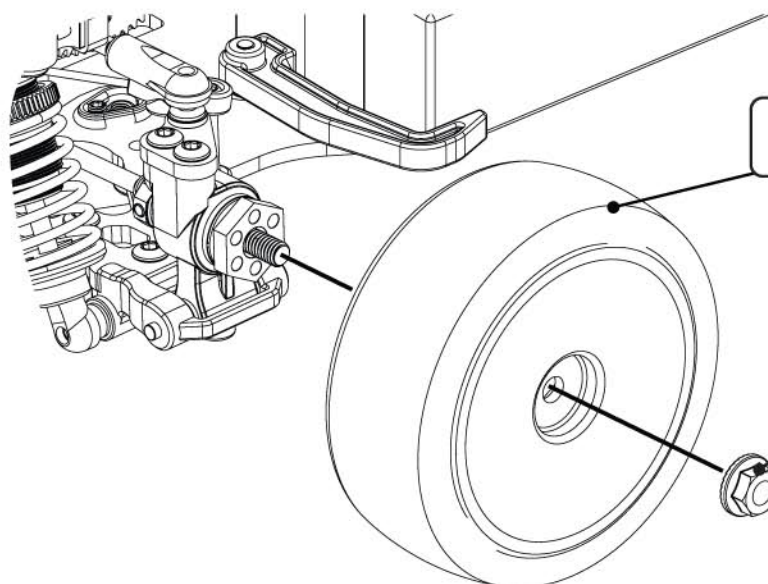




CR005 Black tape  
CR006 Blue tape  
CR037 Purple tape  
CR159 Orange tape  
H1039 Clear tape

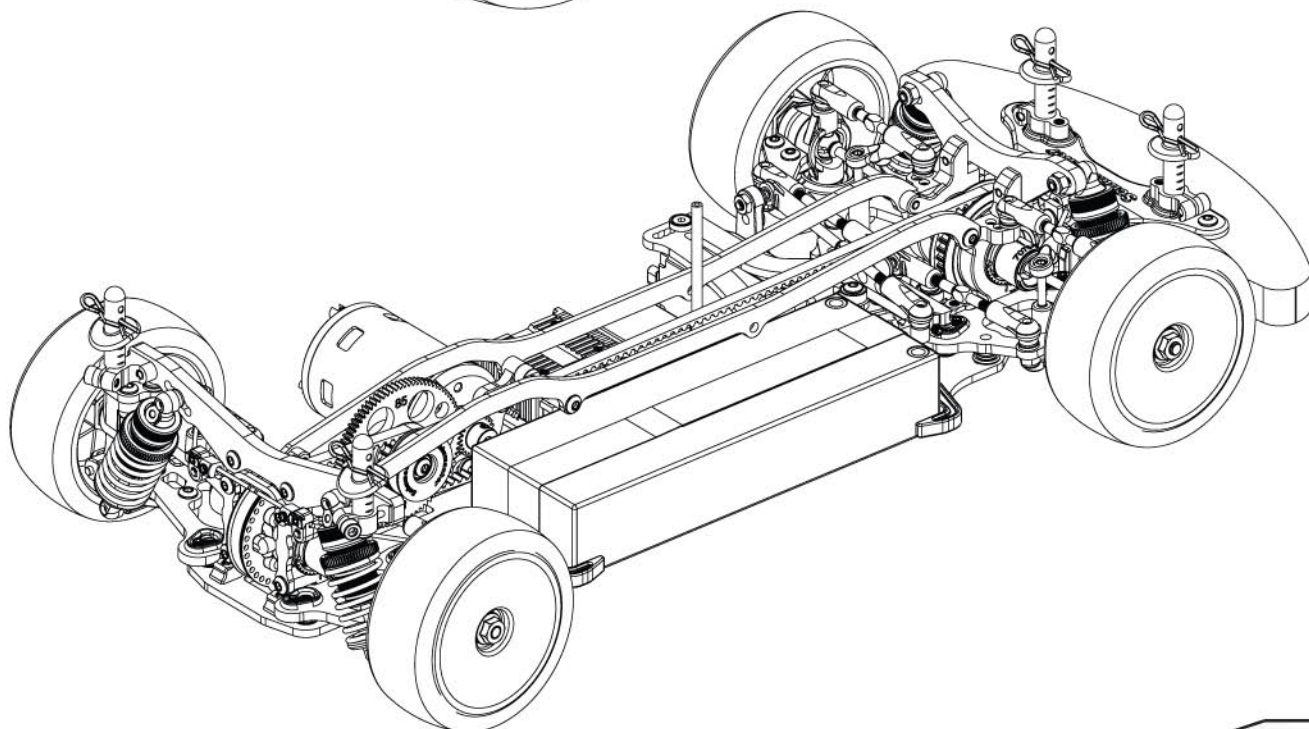
Use battery tape to secure the lipo battery.

## Step 52



Wheels and tyres are not included in the kit.

x 4  
M4 Serrated Nut



48DP

**Standard Motor Mount**  
 Maximum Tooth Sum = 112  
 Minimum Tooth Sum = 100  
 Internal Ratio = 1.8:1

**Blinky Motor Mount**  
 Maximum Tooth Sum = 80  
 Minimum Tooth Sum = 63  
 Internal Ratio = 1.8:1

	14	15	16	17	18	19	20	21	22	23	24	25	26	27	28	29	30	31	32	33	
44						4.17	3.96	3.77	3.60	3.44	3.30	3.17	3.05	2.93	2.83	2.73	2.64	2.55	2.48	2.40	
64	8.23	7.68	7.20																		
70																					
74																		4.20	4.06	3.94	3.82
80							7.20	6.86	6.55	6.26	6.00	5.76	5.54	5.33	5.14	4.97	4.80	4.65	4.50		
85		10.20	9.56	9.00	8.50	8.05	7.65	7.29	6.95	6.65	6.38	6.12	5.88	5.67							
87	11.19	10.44	9.79	9.21	8.70	8.24	7.83	7.46	7.12	6.81	6.53	6.26									
89	11.44	10.68	10.01	9.42	8.90	8.43	8.01	7.63	7.28	6.97											

64DP

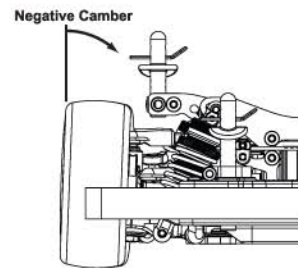
**Standard Motor Mount**  
 Maximum Tooth Sum = 149  
 Minimum Tooth Sum = 133  
 Internal Ratio = 1.8:1

**Blinky Motor Mount**  
 Maximum Tooth Sum = 106  
 Minimum Tooth Sum = 84  
 Internal Ratio = 1.8:1

	21	22	23	24	25	26	27	28	29	30	31	32	33	34	35	36	37	38	39	40	41	42	43	44	
59					4.25	4.08	3.93	3.79	3.66	3.54	3.43	3.32	3.22	3.12	3.03	2.95	2.87	2.79	2.72	2.66	2.59	2.53	2.47	2.41	
90																									
96																		4.67	4.55	4.43	4.32	4.21	4.11	4.02	3.93
106							7.07	6.81	6.58	6.36	6.15	5.96	5.78	5.61	5.45	5.30	5.16	5.02	4.89	4.77	4.65	4.54	4.44		
114	9.77	9.33	8.92	8.55	8.21	7.89	7.60	7.33	7.08	6.84	6.62	6.41	6.22	6.04	5.86										
118	10.11	9.65	9.23	8.85	8.50	8.17	7.87	7.59	7.32	7.08	6.85														

Camber

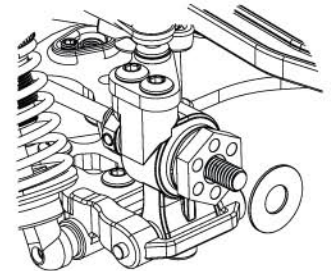
With maximum negative camber the car will have high levels of grip, but there may be the possibility of sudden breakaway in corners. Reducing the camber gives a more progressive slide, but may give less grip.



Track Width

Changing the front track width using wheel spacers changes the wheel to kingpin offset. Adding a spacer to the front will make the car roll and pitch more in the turn, and make the car more aggressive. Removing a spacer will make the car corner flatter and be smoother.

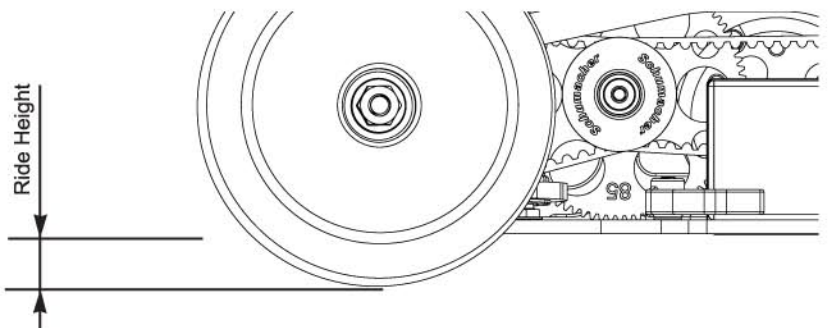
On the rear adding a spacer will reduce steering and make the car more stable. Removing a spacer will give more steering but less stability.



Ride Height

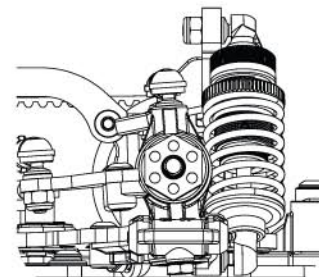
In general always run the car as low as possible, without the chassis grounding out, as it rolls into corners.

A good starting point with rubber tyres is 5.5mm at the front and 6.0mm at the rear.



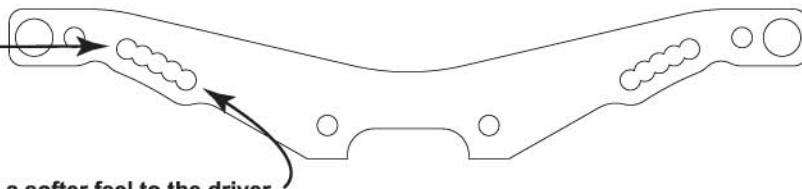
## Front Castor

The front castor can be altered by changing the yoke. The car comes with 4° castor as standard. More castor will give slightly slower turn in, but more on power steering.



## Shock Mounts

Vertical shock absorbers make the car react sharply to driver inputs.



A laydown shock offers a softer feel to the driver.

## Front Toe-In

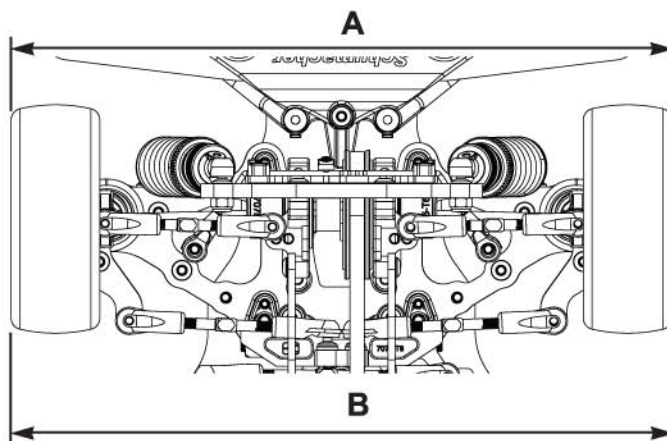
The front toe-in is set by adjusting the steering trackrod turnbuckles.

Toe-In = A less than B  
 Toe-Out = A greater than B

Toe-in will give a more stable car, but will give less sharp turn in.

Toe-out will give the opposite, less stability with sharper turn in to the corners.

We recommend to start at about 0° or 1° toe-out.



## Link Ball Height

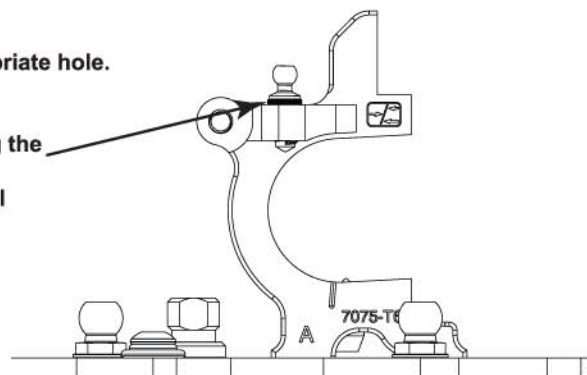
## WIDTH ADJUSTMENT

The width of the inboard suspension link can be altered by selecting the appropriate hole.

## HEIGHT ADJUSTMENT

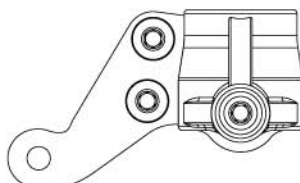
The height of the inboard suspension link can be altered by adding or removing the black spacer washers, under the ball stud.

This adjustment alters the camber gain of the suspension, generally a lower ball stud (or shorter link) gives more instant cornering grip followed by a sudden breakaway. A higher ball (or longer link) gives smoother more progressive cornering grip.

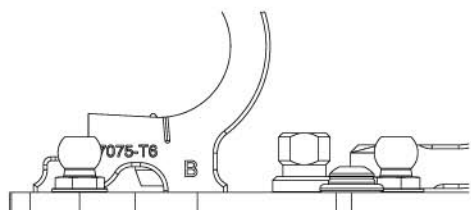


## Optional Ackerman

The kit position is best for most conditions.  
 For more steering lock buy part U4602 -  
 C/F Steering Arm Extra Lock - Mi5evo - (1pr)



## Anti-Squat and Pro-Squat - Kick Up and Anti-Dive

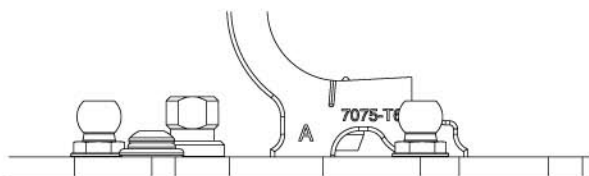
**ANTI-SQUAT OR PRO-SQUAT**

The best balance on the car is usually with a level wishbone pin, however a small amount of Anti-Squat can improve on power traction.

By removing the Grey Suspension washer underneath the rear Pivot Ball you will get Anti-Squat.

By removing the Grey Suspension washer underneath the front Pivot Ball you will get Pro-Squat.

0.5MM WASHER = 1° CHANGE

**FRONT KICK UP OR ANTI-DIVE**

The best balance on the car is usually with a level wishbone pin, however a small amount of Anti-Dive can improve stability under braking.

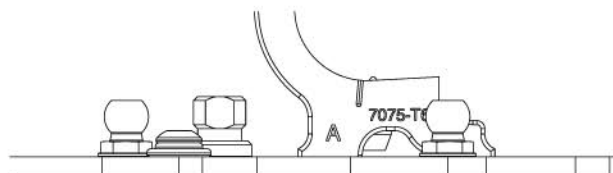
By removing the Grey Suspension washer underneath the rear Pivot Ball you will get Kick-Up.

By removing the Grey Suspension washer underneath the front Pivot Ball you will get Anti-Dive

0.5MM WASHER = 0.85° CHANGE

## Suspension Ball Height

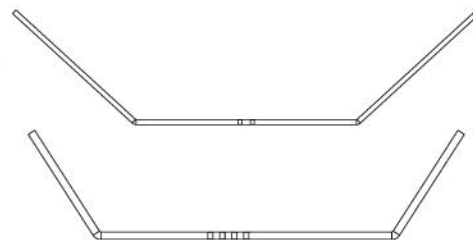
Changing the height of the wishbone pivot ball changes the roll centre. Lowering the ball by removing BOTH spacers equally will lower the roll centre, this will increase grip but the car will roll more. Adding spacers raising the ball will reduce grip, but the car should be more stable.



## Roll Bars

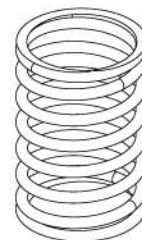
Changing the roll bar thickness changes the way the weight is transferred, and the roll of the car. A stiffer/thicker rear roll bar will reduce entry steering but increase on power steering. A thicker/stiffer front bar will increase entry steering. Generally we use thinner roll bars in bumpy conditions.

The roll bar link can be adjusted in length to compensate for roll bar tweak.



## Shock Springs

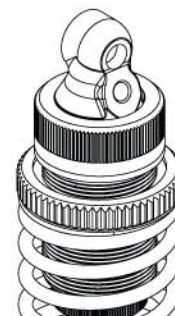
The spring rate controls the suspension stiffness. Spring adjusters only change the ride height. They DO NOT alter the suspension stiffness. On slippery or bumpy tracks use soft to medium rate springs, on flat or high grip tracks run medium to hard rate springs.



## Shock Cap Type

Vented caps give zero rebound of the shock shaft. Sealed shock caps can be built to give between 0-100% rebound. Emulsion shocks can be built to give suck back, the opposite of rebound.

Use less rebound in high traction conditions and more rebound in low traction conditions. Emulsion shocks/suck back is used in low grip conditions that need a lot of steering.



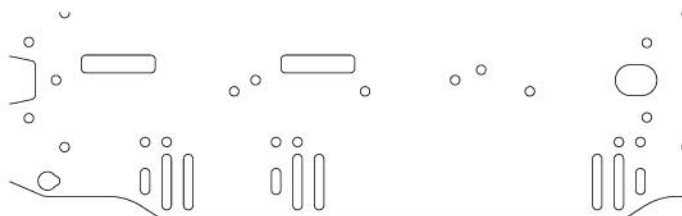


## Cell Position

Moving the battery forward/rearward changes the weight distribution of the car.

Moving more weight to the rear (Battery Rear) will give more rear traction on drive and more steering on corner entry/mid corner.

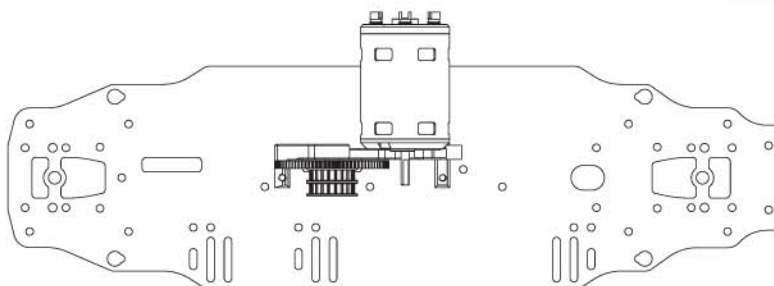
Moving more weight to the front (Battery Forward) will give less forward traction, but more corner exit steering and be an easier to drive car.



## Mid or Rear Motor

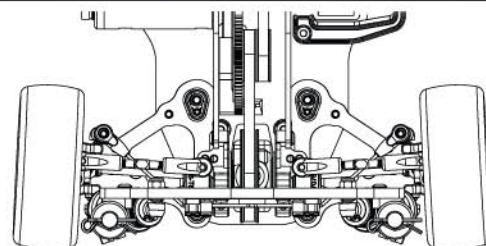
The mid motor option gives much more rotation in tight corners, but is not as effective in fast, sweeping corners.

On tight twisty carpet tracks, the mid motor set up is a good option to use.



## Rear Toe-In

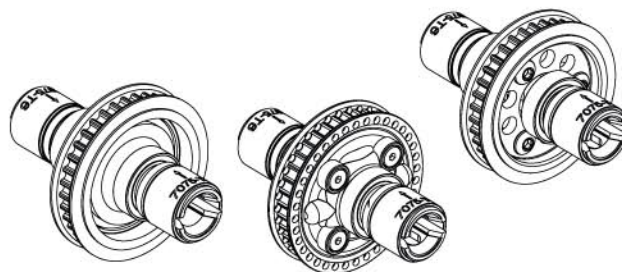
Less rear toe-in will free up the rear of the car making it rotate more in the turn, at the expense of some rear traction. This will make the car more difficult to drive. We use less rear toe-in in high grip conditions.



## Ball - Gear Diff - Spool

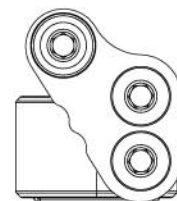
A gear diff in the rear gives better drive out of a corner and more on power steering than a ball diff, but the ball diff is always easier to drive, and good in low traction conditions.

In the front a spool is the standard choice and the best option for most conditions. A gear diff will give more mid corner steering, but suffer on corner exit. We use a gear diff on very tight twisty tracks.



## Rear Roll Centre Plates

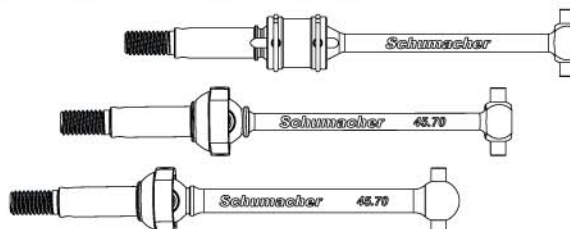
The zero dink rear hub plate gives a good all round position, the one dink shortens the link 1mm per side and the two dink plate shortens the link a further 1mm per side. A shorter link gives more camber change which will give more initial grip but will snap away faster in comparison to a longer link that will be easier to control. A shorter link helps the car rotate better on a hairpin style corner.



## Driveshafts

Alloy driveshaft's will reduce the weight of the car and give faster acceleration out of a corner.

The "true" double joint driveshafts will make the car much smoother on lock, but they can have slightly less entry steering over the standard driveshafts.





U3570 Alloy Wheel Hex; Slim+O ring - (pr)



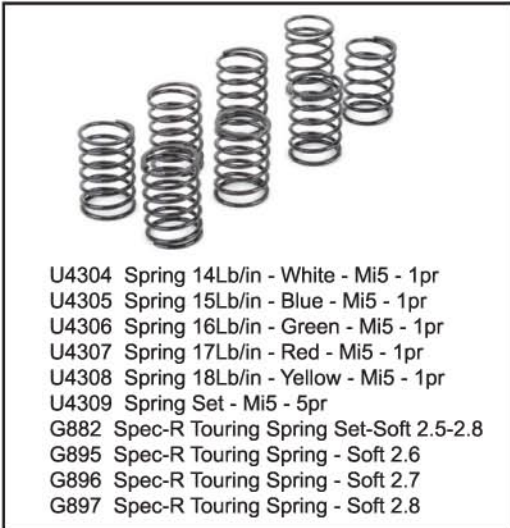
U1301 Silicone Diff Lube - Pot  
U1954 Pro - Thrust Bearing  
U1957 Moly Grease - Pot  
U2573 Pro-Diff Screw Set  
U2574 Ball Bearing - 5x9x2.5 Open (pr)  
U3019 Diff Balls; SiNi 2.5mm (pk12)  
U3140 Diff Washer; ProSpec - Mi4/Mi5 (pr)  
U3508 CNC Ball Diff Pulley and Fences; 36T  
U3820 Alloy Ball Diff Output; Male - Mi4CX  
U3821 Alloy Ball Diff Output; Female - Mi4CX  
U4325 Assembled Pro Ball Diff - Mi5



U4295 Optional Rear Hub Carrier Arms - Mi5



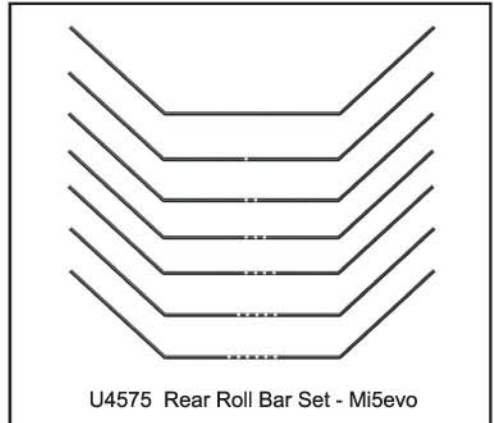
U4581 C/F Rear Wishbone 2.5deg - Mi5evo - 1pc  
U4582 C/F Rear Wishbone 2.0deg - Mi5evo - 1pc



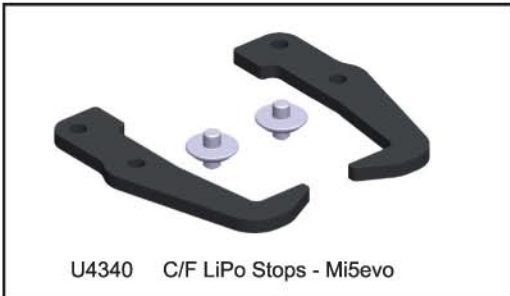
U4304 Spring 14Lb/in - White - Mi5 - 1pr  
U4305 Spring 15Lb/in - Blue - Mi5 - 1pr  
U4306 Spring 16Lb/in - Green - Mi5 - 1pr  
U4307 Spring 17Lb/in - Red - Mi5 - 1pr  
U4308 Spring 18Lb/in - Yellow - Mi5 - 1pr  
U4309 Spring Set - Mi5 - 5pr  
G882 Spec-R Touring Spring Set-Soft 2.5-2.8  
G895 Spec-R Touring Spring - Soft 2.6  
G896 Spec-R Touring Spring - Soft 2.7  
G897 Spec-R Touring Spring - Soft 2.8



U4574 Front Roll Bar Set - Mi5evo



U4575 Rear Roll Bar Set - Mi5evo



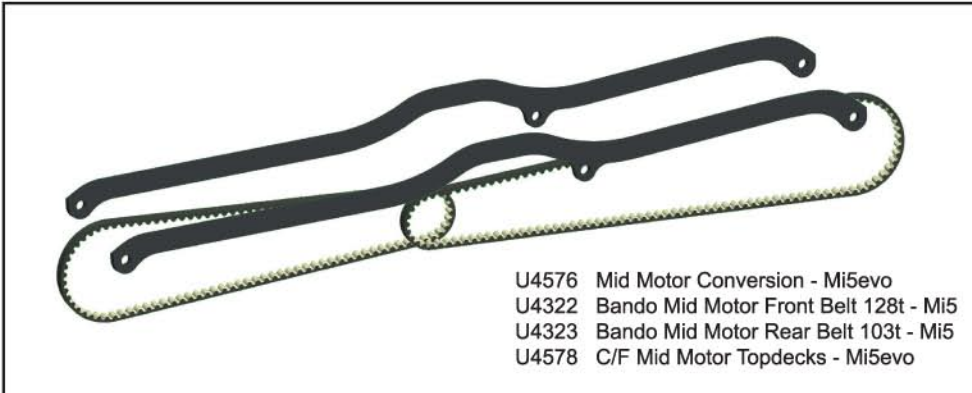
U4340 C/F LiPo Stops - Mi5evo



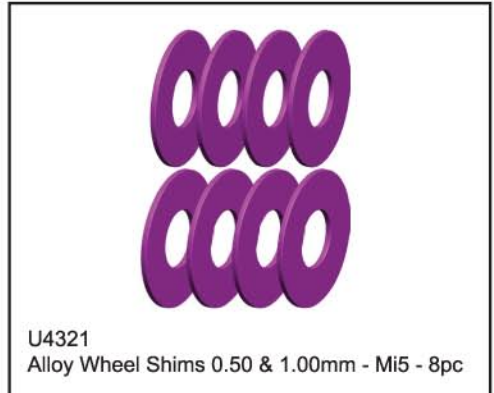
U4606 Offset Servo Horn 23t - Mi5evo -1pc  
U4607 Offset Servo Horn 25t - Mi5evo -1pc



U4573 Micro Castor Block 6deg - Mi5evo - 1pr



U4576 Mid Motor Conversion - Mi5evo  
U4322 Bando Mid Motor Front Belt 128t - Mi5  
U4323 Bando Mid Motor Rear Belt 103t - Mi5  
U4578 C/F Mid Motor Topdecks - Mi5evo



U4321 Alloy Wheel Shims 0.50 & 1.00mm - Mi5 - 8pc



G883 SPEC-R Carbon Internal Gear Set



G868 SPEC-R Gear Differential - Mi5 FRONT



G875 SPEC-R Titanium Gear Diff Pins



48DP Spurs

- U4598 44T 48DP CNC Spur Gear - Mi5evo
- U4361 64T 48DP CNC Spur Gear - Mi3/4/5
- U3247 70T 48DP CNC Spur Gear - Mi4/Mi5
- U3560 74T 48DP CNC Spur Gear - Mi4/Mi5
- U4603 80T 48DP CNC Spur Gear - Mi5evo
- U3160 85T 48DP CNC Spur Gear - Mi4/Mi5
- U3161 87T 48DP CNC Spur Gear - Mi4/Mi5
- U3162 89T 48DP CNC Spur Gear - Mi4/Mi5

64DP Spurs

- U4604 59T 64DP CNC Spur Gear - Mi5evo
- U3269 90T 64DP CNC Spur Gear - Mi4/Mi5
- U3248 96T 64DP CNC Spur Gear - Mi4/Mi5
- U3270 106T 64DP CNC Spur Gear - Mi4/Mi5
- U3163 114T 64DP CNC Spur Gear - Mi4/Mi5
- U3165 118T 64DP CNC Spur Gear - Mi4/Mi5



- U1573 Titanium Turnbuckle; purple - 53mm (pr)
- U1905 Titanium Turnbuckle; purple - 35mm (pr)
- U4326 Titanium Turnbuckle; purple - 30mm (pr)
- U4336 Ti Turnbuckle Set - Mi5 (7pc)



- U4599 Titanium Pro Pin 2.5 x 27.5mm Rear (pr)
- U4600 Titanium Pro Pin 2.5 x 21.25mm Front (pr)



- U3490 Alloy Servo Mounts Purple
- U4327 Alloy Servo Mount Black - K1/Mi5



- U2988 M3 Csk Washers - Purple Alloy (pk10)
- U4155 M3 Csk Washers - Black Alloy (pk10)



G884 Driveshaft Front True CV - Mi4/Mi5 - pr



- CR280 Ti Pro Ball Studs - Short - pair
- CR281 Ti Pro Ball Studs - Ultra Short - pair
- CR282 Ti Ball Studs - Long - pair
- CR283 Ti Ball Stud Set - Mi5 (22pcs)



- U2862 Ceramic Bearing - 5x10x4 Shielded (pr)
- U3017 Ceramic Bearing - 10x15x4 Shielded (pr)
- U3386 Ceramic Bearing - 4x8x3 Shielded (pr)
- U4344 Ceramic Bearing - 5x8x2.5mm (pr)
- U4343 Ceramic Bearing Set - Mi5 (14pcs)



U4597 Shock Shafts Titanium Ti-Nitride - Mi5evo - (1pr)



- CR110 Alloy Servo Arm; Futaba Purple
- CR111 Alloy Servo Arm; KO/Sanwa Purple
- CR112 Alloy Servo Arm; Futaba Blue
- CR113 Alloy Servo Arm; KO/Sanwa Blue
- CR117 Alloy Servo Arm; Futaba Black
- CR118 Alloy Servo Arm; KO/Sanwa Black



U4610 Alloy Eccentric - Mi5evo - (1pr)



- U4328 "Impact" Servo Saver 2013 Spec - Mi5
- U4329 "Impact" Servo Saver 2013 Mouldings
- U4330 "Impact" Servo Saver 2013 Springs
- U4341 C/F Servo Mount (Servo Saver) - Mi5



U4588 Blinky Motor Mount - Mi5evo



- U3833 Driveshafts; Alloy Rear - Mi4CX/Mi5 (pr)
- U3840 Driveshaft; Alloy Axle Rear - Mi4CX/Mi5
- U3841 Driveshaft; Alloy Bone Front - 1pc
- U3842 Driveshaft; Alloy Bone Rear - 1pc
- U4338 Driveshafts; Alloy Front - Mi5 pr