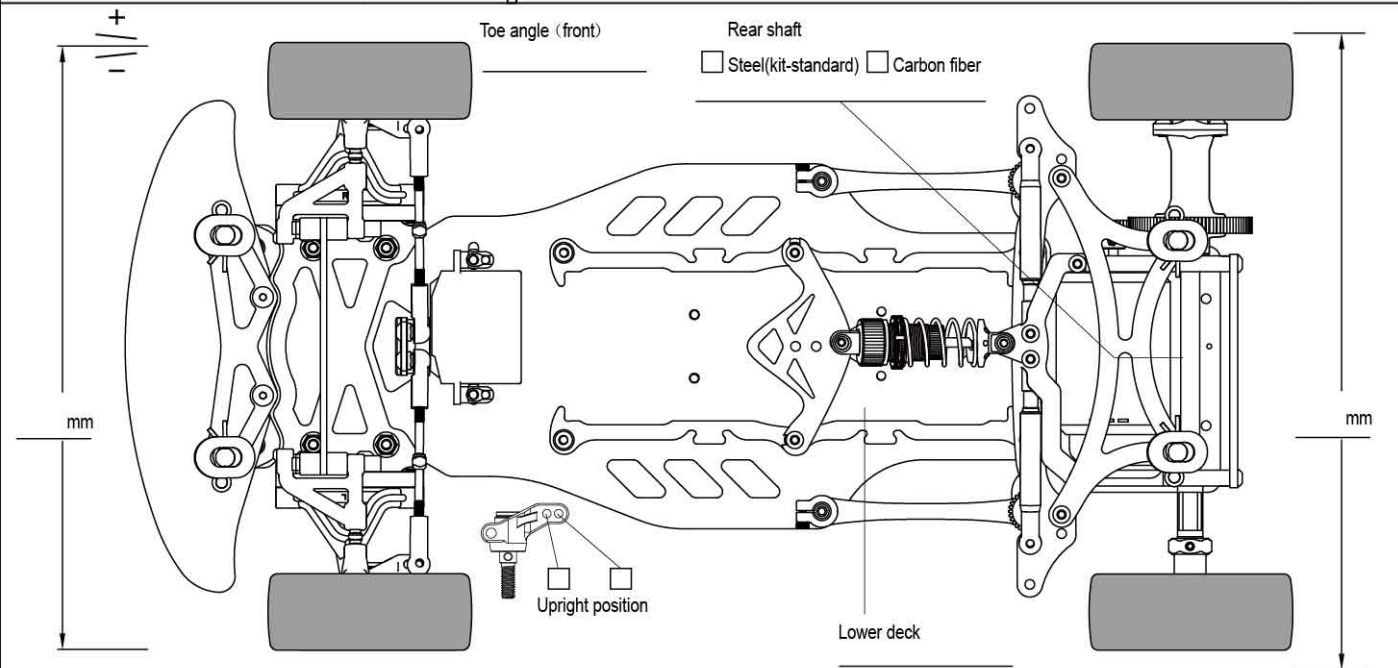


TEAMSAXO

GT-500
SETTING SHEET
 Ver 1.00
 TS0208009

Driver:	Airtemp:	Size:	<input type="checkbox"/> Open	<input type="checkbox"/> Med.	<input type="checkbox"/> Tight
Date:	Humidity:	Traction:	<input type="checkbox"/> High	<input type="checkbox"/> Med.	<input type="checkbox"/> Low
Track:	Track temp:	Surface:	<input type="checkbox"/> Smooth	<input type="checkbox"/> Med.	<input type="checkbox"/> Bumpy



《Front》

Wheel Base
 Short Mid Long

FR shim RR Shim
 1.80° Thick Thin
 3.25° Thin Thick
 6.15° --- Thick, Thin

Front Shim Rear Shim
 10°
 5°
 0°

Ground clearance mm

《Rear》

Spacer mm

Spacer mm

Ground clearance mm

Roll spring mm

Ground clearance mm

《Front spring》

0.5mm
 1.0mm
 2.0mm
 5.0mm

Soft(gold)
 Medium(silver)
 Hard(black)

Coil spring

《Rear ground clearance》

Soft(gold)
 Medium(silver)
 Hard(black)

Hole Position
 Top
 Bottom

1 1.5 2 2.5
 3 3.5 4 4.5 5

《Damper》

Coil spring Roll damper

Soft(gold)
 Medium(silver)
 Hard(black)

Piston hole(S)
 Oil #

Oil #

Motor _____ Spur gear _____ T _____ Pinion gear _____ T _____

Front wheel _____ Front tire _____ Front tire diameter _____ mm

Rear wheel _____ Rear tire _____ Rear tire diameter _____ mm

Body _____ Front wing _____ Rear wing _____

Battery _____ Best lap _____

Memo _____