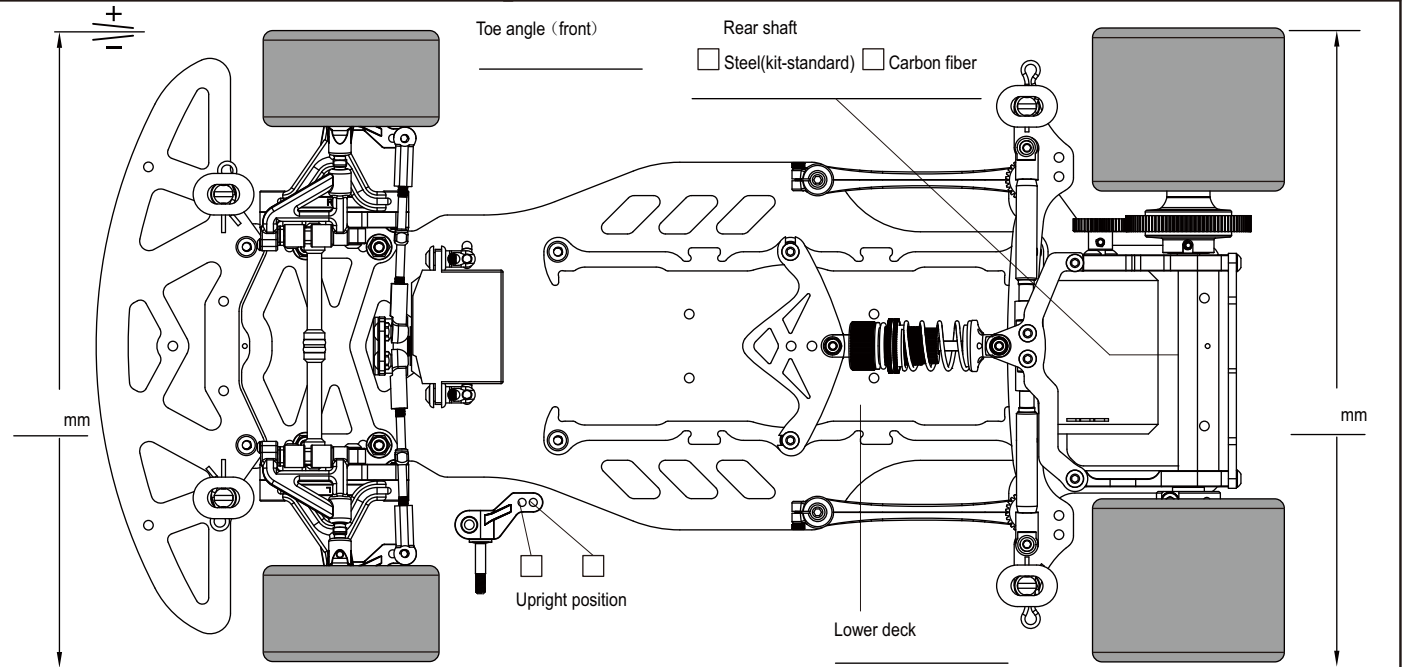


# TEAMSAXO GT300W

SETTING SHEET  
Ver 1.01  
TS0208005

Driver:	Airtemp:	Size:	<input type="checkbox"/> Open	<input type="checkbox"/> Med.	<input type="checkbox"/> Tight
Date:	Humidity:	Traction:	<input type="checkbox"/> High	<input type="checkbox"/> Med.	<input type="checkbox"/> Low
Track:	Track temp:	Surface:	<input type="checkbox"/> Smooth	<input type="checkbox"/> Med.	<input type="checkbox"/> Bumpy



《Front》

Wheel Base  
 Short  Mid  Long

FR shim RR Shim  
 1.80° Thick Thin  
 3.25° Thin Thick  
 6.15° --- Thick, Thin

Front Shim Rear Shim  
 10°  
 5°  
 0°

Ground clearance \_\_\_\_\_ mm

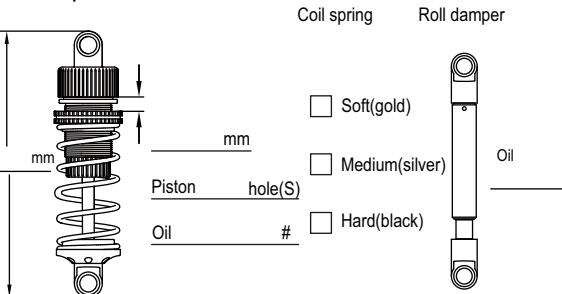
《Front spring》

Soft(gold)  
 Medium(silver)  
 Hard(black)

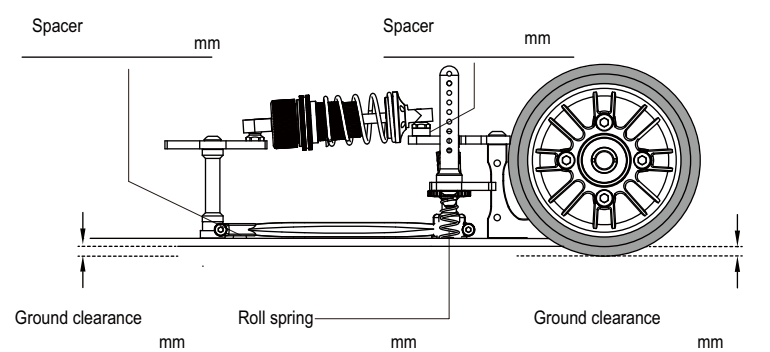
Coil spring Roll damper  
 Soft(gold)  
 Medium(silver)  
 Hard(black)

Oil # \_\_\_\_\_

《Damper》



《Rear》



《Rear ground clearance》

Soft(gold)  
 Medium(silver)  
 Hard(black)

Hole Position  
 Top  
 Bottom

1 1.5 2 2.5  
 3 3.5 4 4.5 5

Motor _____	Spur gear _____ T	Pinion gear _____ T
Front wheel _____	Front tire _____	Front tire diameter _____ mm
Rear wheel _____	Rear tire _____	Rear tire diameter _____ mm
Body _____	Front wing _____	Rear wing _____
Battery _____	Best lap _____	
Memo _____		