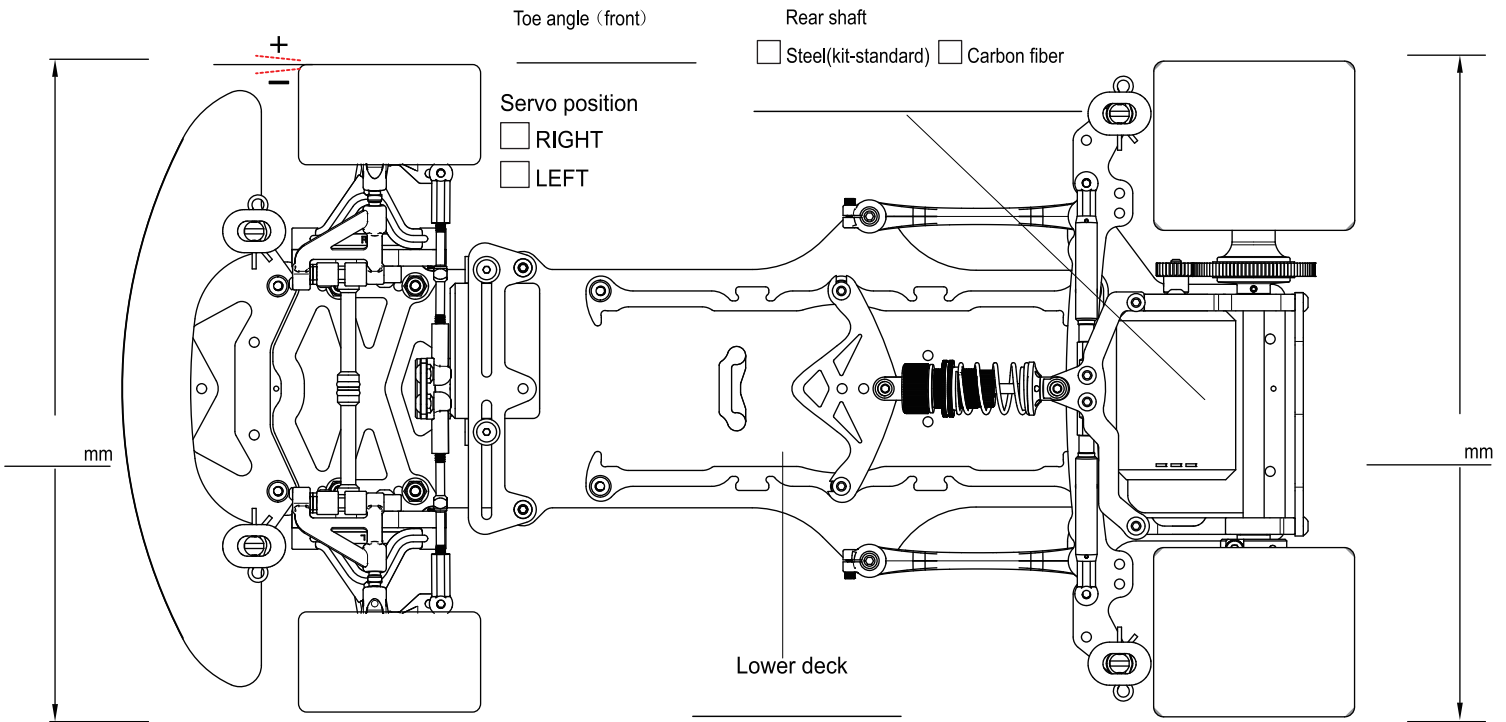


Driver: _____ Track: _____ Event: _____

Date: _____ Temperature - Air: _____ Track: _____ Humidity: _____

Track Condition: Composition: Asphalt Carpet Surface: Smooth Bumpy

Traction: Low Medium High Layout: Open Mixed Open



«Front»

Wheel Base Short Mid Long

FR shim 1.80° Thick RR Shim Thin

3.25° Thin Thick

6.15° ---- Thick, Thin

Front Shim 10° Rear Shim 5° 0°

Ground clearance _____ mm

«Rear»

Spacer _____ mm

Spacer _____ mm

Roll spring

Ground clearance _____ mm

Ground clearance _____ mm

Ground clearance _____ mm

«Front spring»

Soft(gold) Medium(silver) Hard(black)

Hard Medium Soft

Oil _____ #

«Rear ground clearance»

Soft(gold) Medium(silver) Hard(black)

Hole Position Top Bottom

«Damper»

Coil spring Soft(gold) Medium(silver) Hard(black)

Roll damper Oil _____ #

Piston hole(S) _____

Oil _____ #

Motor _____	Spur _____	T _____	Pinion _____	T _____
Front wheel _____	Front tire _____	Front tire diameter _____	mm	
Rear wheel _____	Rear tire _____	Rear tire diameter _____	mm	
Body _____	Front wing _____	Rear wing _____		
Battery _____	Best lap _____			