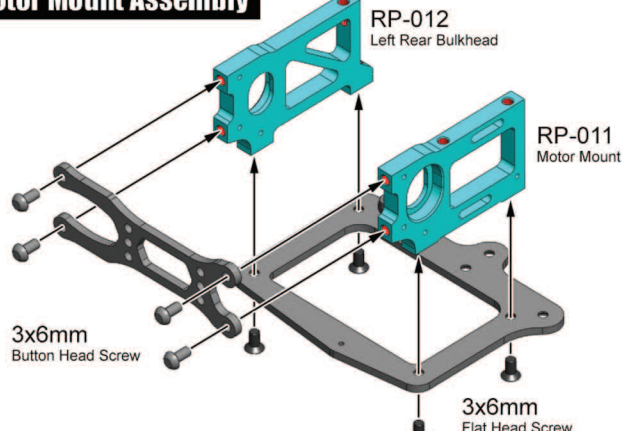


Thank you for purchase this Roche R/C product. This manual is contains instruction and tips to build your Tamiya F103/F104 chassis to Roche Rapide F1. Please read each step and fully understand the instruction before assembly.

Items Needed :

1. Tamiya F103/F104 chassis (front suspension set, rear ball differential set, center fraction damper set)
2. R/C 2 channels radio system
3. R/C electric motor, electric speed controller
4. NiMh or Lipo battery
5. Front wing, 1/10 F1 lexan body & rear wing
6. Wheels & tires

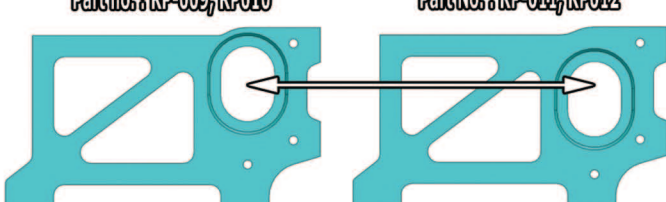
1. Motor Mount Assembly



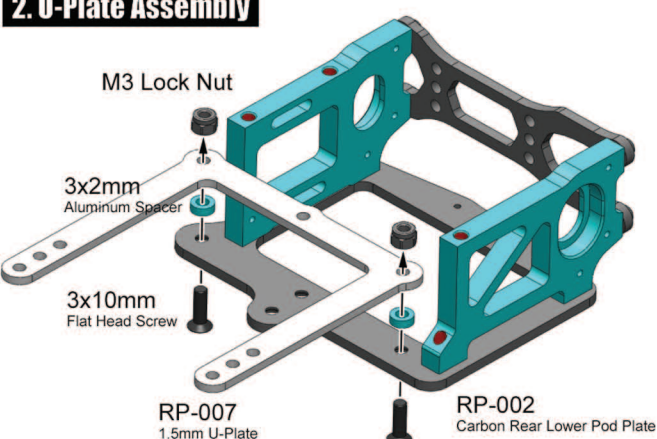
NOTE :

High Center Shaft Motor Mount
(suggest for F104 tires)
Part No. : RP-009, RP010

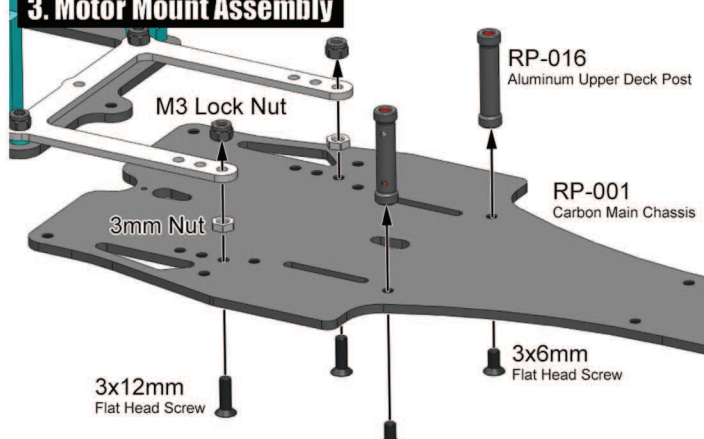
Low Center Shaft Motor Mount
(suggest for F103 foam tires)
Part No. : RP-011, RP012



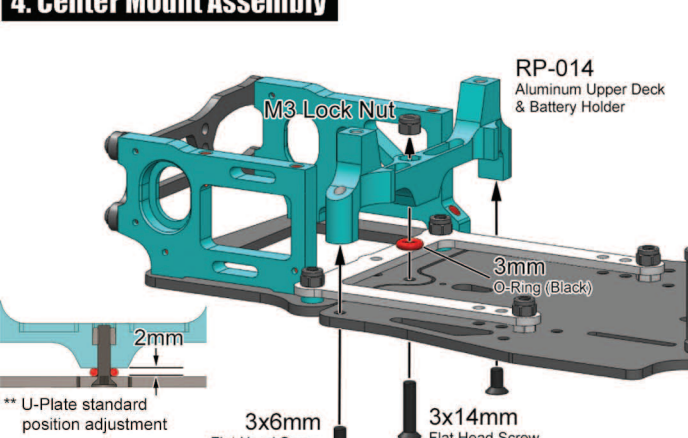
2. U-Plate Assembly



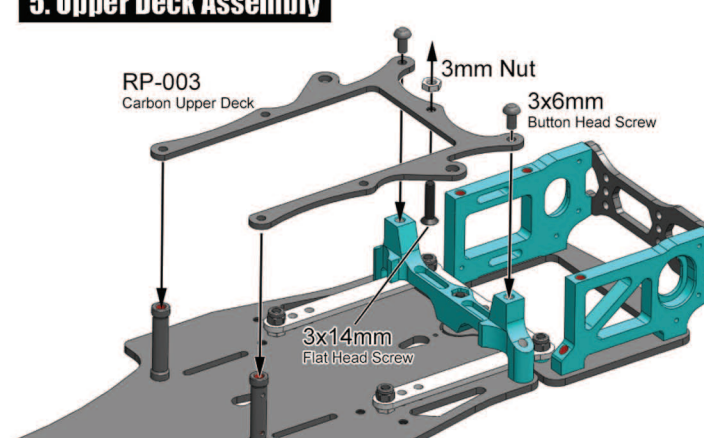
3. Motor Mount Assembly



4. Center Mount Assembly

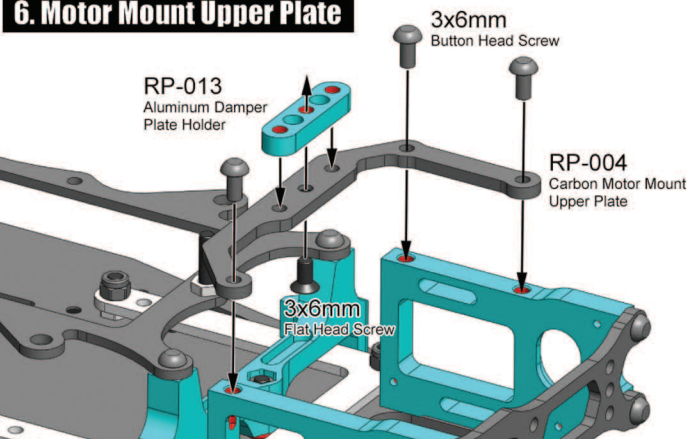


5. Upper Deck Assembly

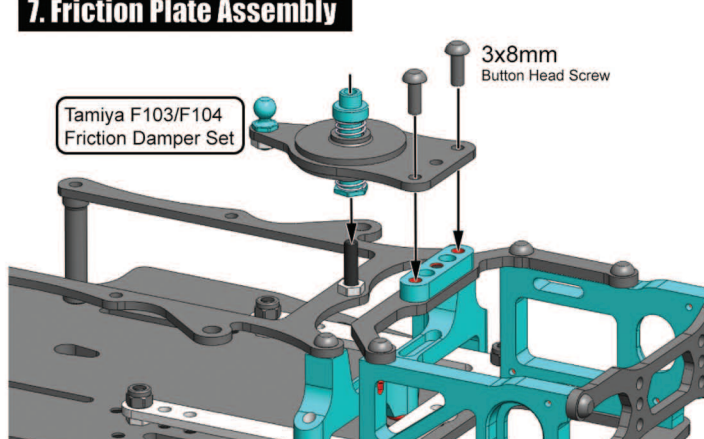


1

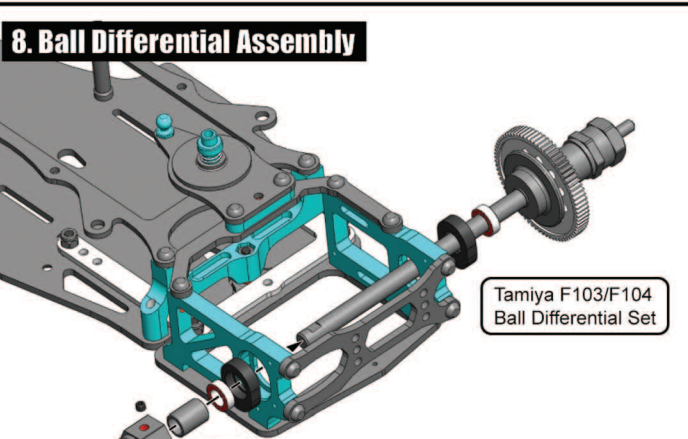
6. Motor Mount Upper Plate



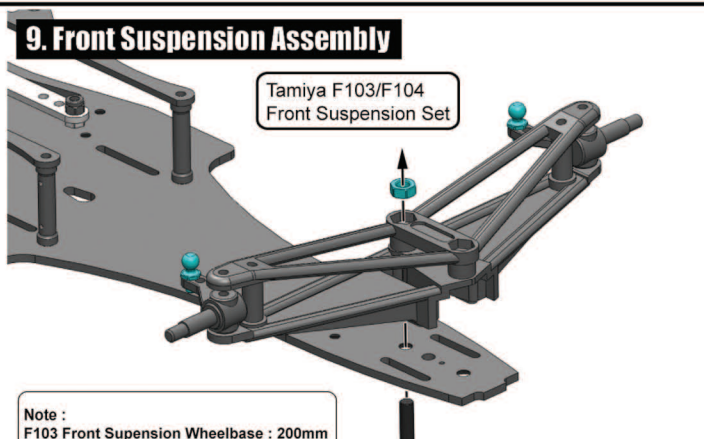
7. Friction Plate Assembly



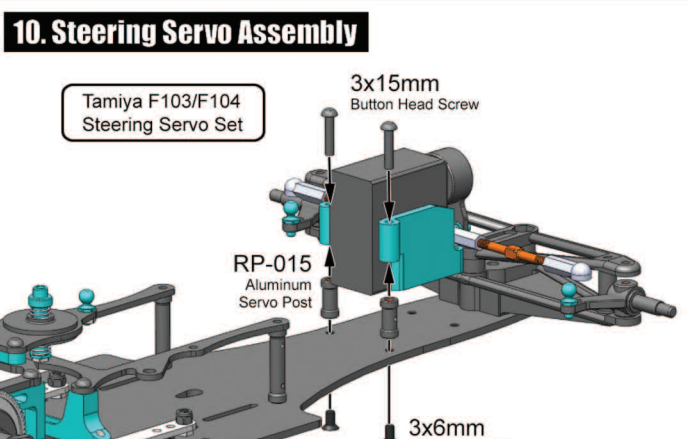
8. Ball Differential Assembly



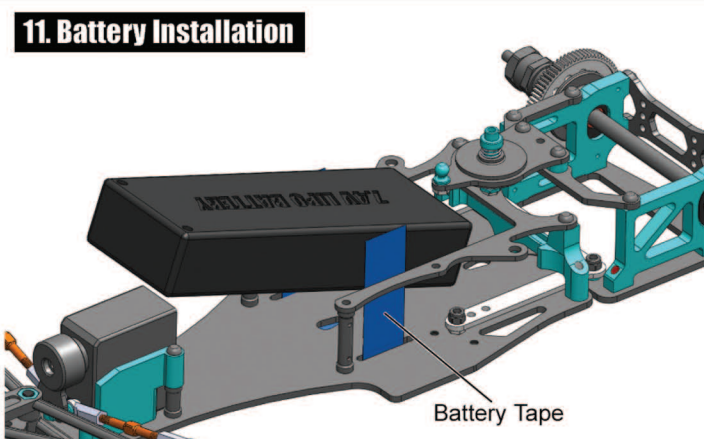
9. Front Suspension Assembly



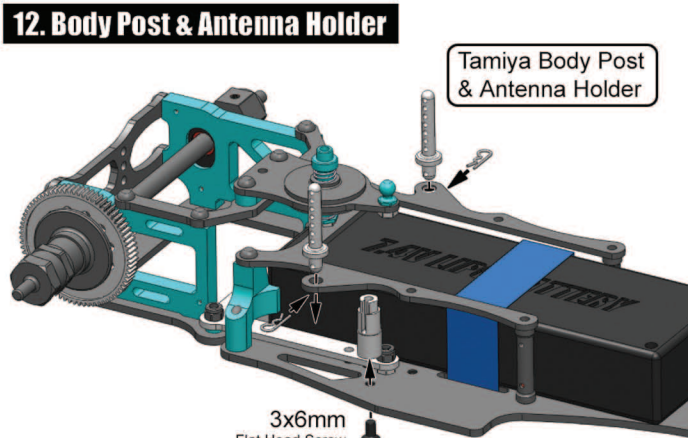
10. Steering Servo Assembly



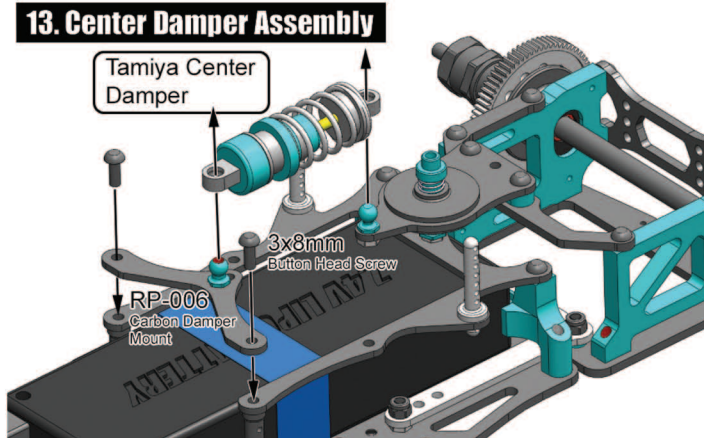
11. Battery Installation



12. Body Post & Antenna Holder

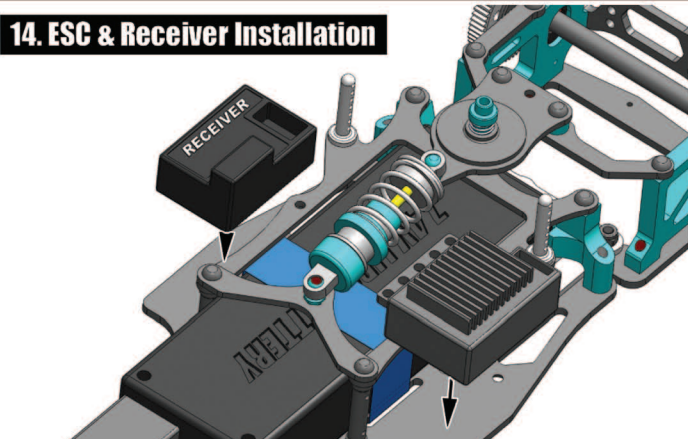


13. Center Damper Assembly

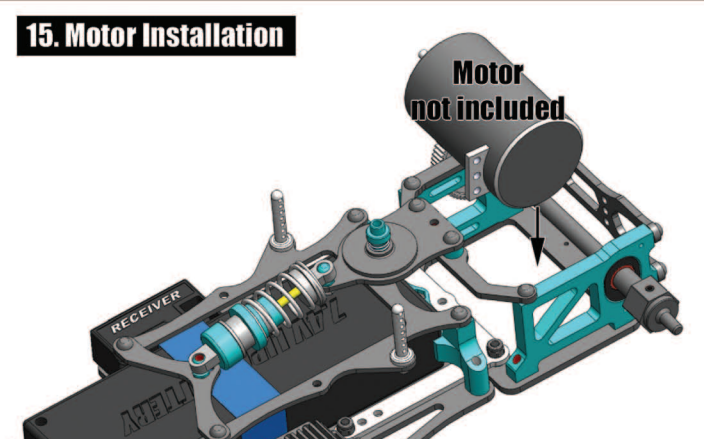


2

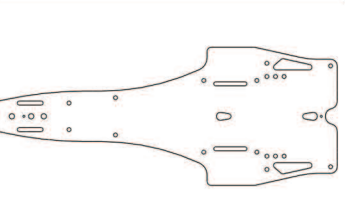
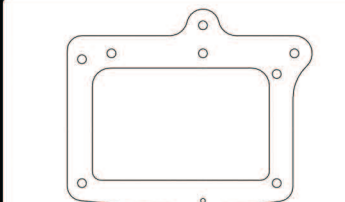
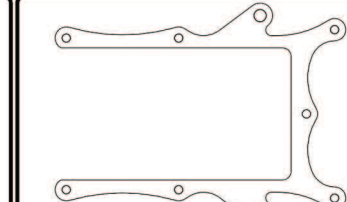
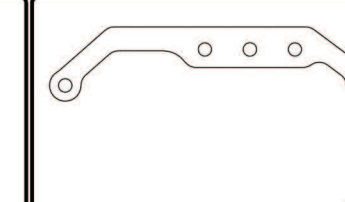
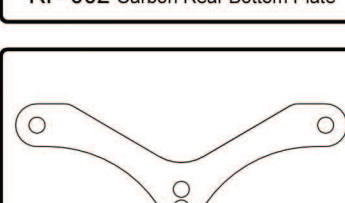
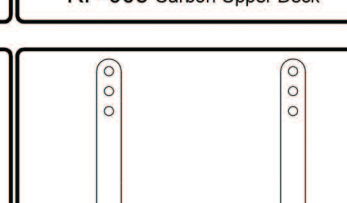
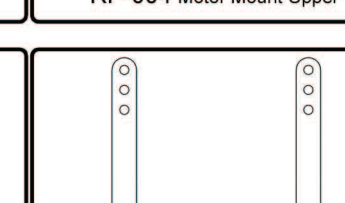
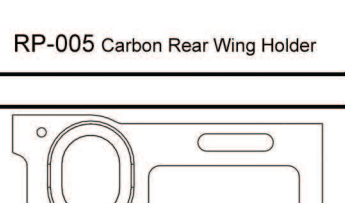
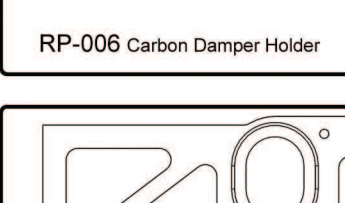
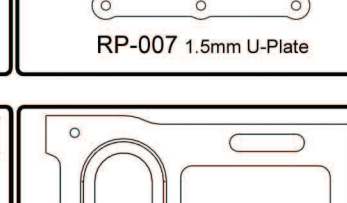
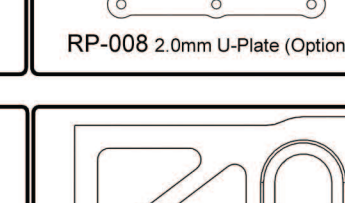
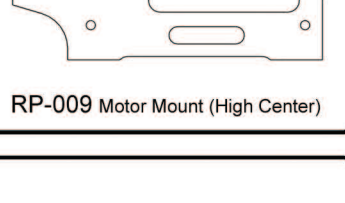
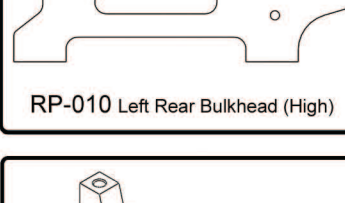
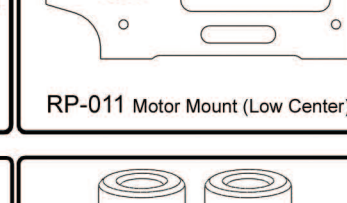
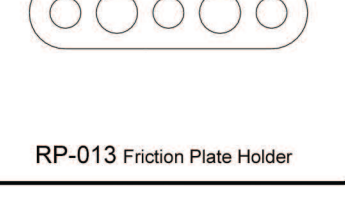
14. ESC & Receiver Installation



15. Motor Installation



Spare Part & Optional Parts List

| | | | |
|--|---|--|---|
|  RP-001 2.5mm Carbon Main Chassis |  RP-002 Carbon Rear Bottom Plate |  RP-003 Carbon Upper Deck |  RP-004 Motor Mount Upper |
|  RP-005 Carbon Rear Wing Holder |  RP-006 Carbon Damper Holder |  RP-007 1.5mm U-Plate |  RP-008 2.0mm U-Plate (Optional) |
|  RP-009 Motor Mount (High Center) |  RP-010 Left Rear Bulkhead (High) |  RP-011 Motor Mount (Low Center) |  RP-012 Left Rear Bulkhead (Low) |
|  RP-013 Friction Plate Holder |  RP-014 Upper Deck & Battery Holder |  RP-015 Aluminum Servo Post, 2 pcs |  RP-016 Upper Deck Servo Post, 2 pcs |
|  RP-017 6x11mm Spacer | | | |

* Products are subject to change without notice.

3