

Driver	
Date	



SET-UP SHEET V2

AVID

Track			
Location			
Condition	Asphalt	Carpet	Other:
Size	Technical	Mixed	Fast
Traction	Low	Medium	High
Temperature	Air:	Track:	

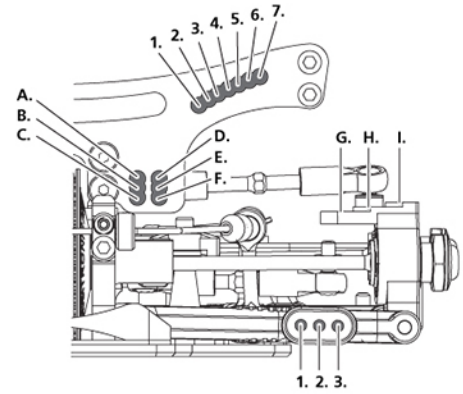
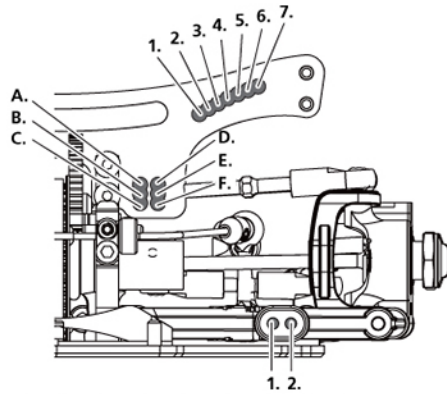
Adjustments		Front				Rear							
Camber (°)													
Caster (°)		2	3	4	5	Other:							
Toe (°)													
Ride height (mm)													
Suspension mount (°)		FF:				FR:		RF:			RR:		
Rollcenter (mm) FF		0	1.5	2.5	Other:								
Rollcenter (mm) FR		0	1.5	2.5	Other:								
Wheelbase (mm)		+2	+1	0	-1	-2	Other:						
Droop (mm)													
Transmission		Oneway		Spool		Diff							
Anti-Roll Bar		None	mm				Color:	None	mm			Color:	

Shocks													
Spring													
Preload (mm)													
Oil													
Piston		2 holes		3 holes		Other:		2 holes		3 holes		Other:	

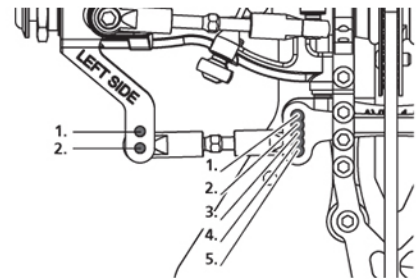
Shock Position															
Arm		1	2						1	2	3				
Tower		1	2	3	4	5	6	7	1	2	3	4	5	6	7

Upper Suspension													
Washer Inboard (mm)													
Hole Suspension Plate		A	B	C	D	E	F	A	B	C	D	E	F
Washer Rear Hub (mm)													
Hole Rear Hub								G	H	I			

Comments



Steering						
Ball End - Position Steering Plate		1	2	3	4	5
Position Knuckle Arms		1	2			
Washer under Ball End Knucke (mm)						

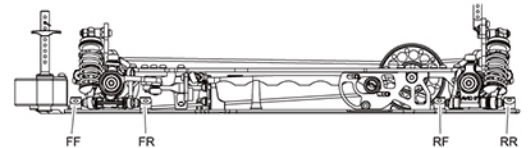


Tires			
Tire			
Insert			
Rim			
Additive			

Chassis			
Low Desk		2.5mm	3.0mm
Top Desk		2.0mm	2.5mm

Motor & Battery		Transmission (IR:1.77)			
Motor		Pinion			
Timing		Spur			
Brush		Ratio			
Battery		Pitch	48DP	64DP	

Body & Wing			
Body			
Wing			



Comments