

Driver	
Date	



# SET-UP SHEET V2

## AVID

<b>Track</b>			
Location			
Condition	Asphalt	Carpet	Other:
Size	Technical	Mixed	Fast
Traction	Low	Medium	High
Temperature	Air:	Track:	

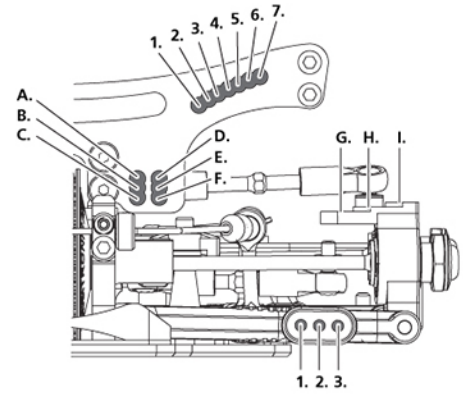
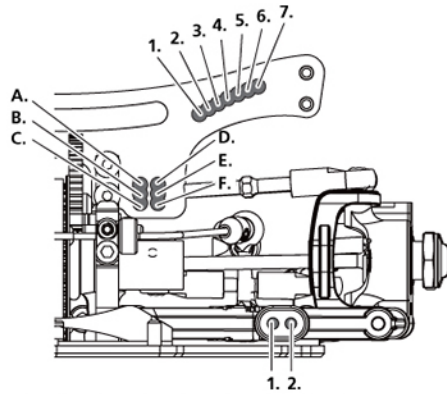
<b>Adjustments</b>		<b>Front</b>				<b>Rear</b>						
Camber (°)												
Caster (°)		2	3	4	5	Other:						
Toe (°)												
Ride height (mm)												
Suspension mount (°)	FF:	FR:			RF:			RR:				
Rollcenter (mm) FF	0	1.5	2.5	Other:		0	1.5	2.5	Other:			
Rollcenter (mm) FR	0	1.5	2.5	Other:		0	1.5	2.5	Other:			
Wheelbase (mm)	+2	+1	0	-1	-2	Other:						
Droop (mm)												
Transmission	Oneway			Spool			Diff					
Anti-Roll Bar	None	mm				Color:	None	mm				Color:

<b>Shocks</b>																
Spring																
Preload (mm)																
Oil																
Piston	2 holes			3 holes			Other:		2 holes			3 holes			Other:	

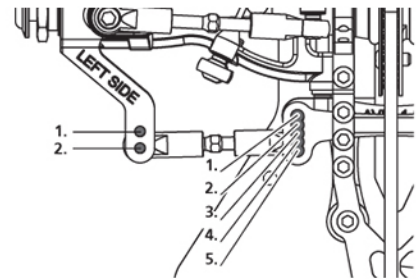
<b>Shock Position</b>															
Arm		1	2						1	2	3				
Tower		1	2	3	4	5	6	7	1	2	3	4	5	6	7

<b>Upper Suspension</b>													
Washer Inboard (mm)													
Hole Suspension Plate	A	B	C	D	E	F	A	B	C	D	E	F	
Washer Rear Hub (mm)													
Hole Rear Hub	G	H	I										

**Comments**



<b>Steering</b>						
Ball End - Position Steering Plate		1	2	3	4	5
Position Knuckle Arms		1	2			
Washer under Ball End Knucke (mm)						

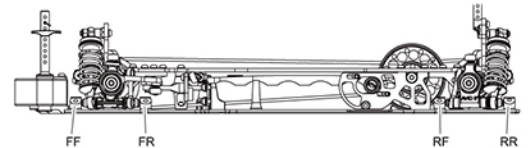


<b>Tires</b>			
Tire			
Insert			
Rim			
Additive			

<b>Chassis</b>			
Low Desk	2.5mm	3.0mm	
Top Desk	2.0mm	2.5mm	

<b>Motor &amp; Battery</b>		<b>Transmission (IR:1.77)</b>	
Motor		Pinion	
Timing		Spur	
Brush		Ratio	
Battery		Pitch	48DP 64DP

<b>Body &amp; Wing</b>			
Body			
Wing			



**Comments**