

# SET-UP SHEET



NAME \_\_\_\_\_  
 CITY/COUNTRY \_\_\_\_\_  
 CONTACT \_\_\_\_\_

RACE **PYC Track (Medium Size, High Speed Track) in HK**  
 TRACK **(Modify A3 Setup)**

TRACK CONDITION:  CARPET  ASPHALT  
 TECHNICAL  MIXED  FAST  
 TRACTION:  LOW  MEDIUM  HIGH

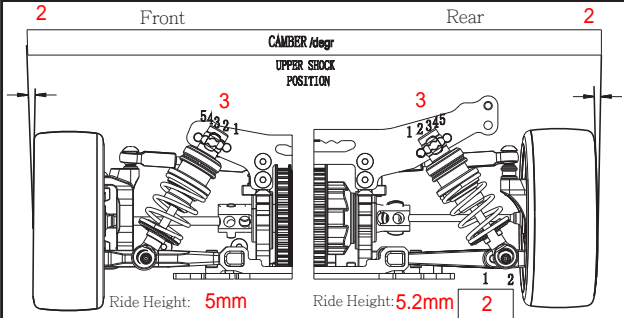
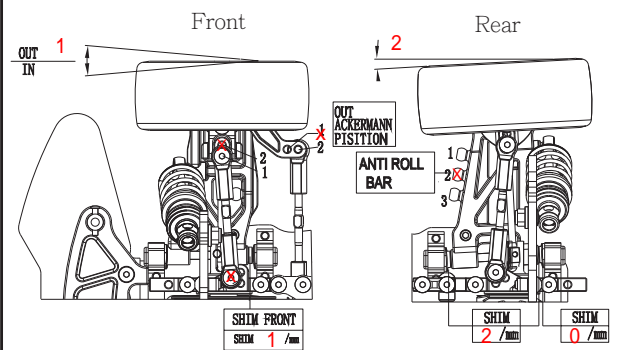
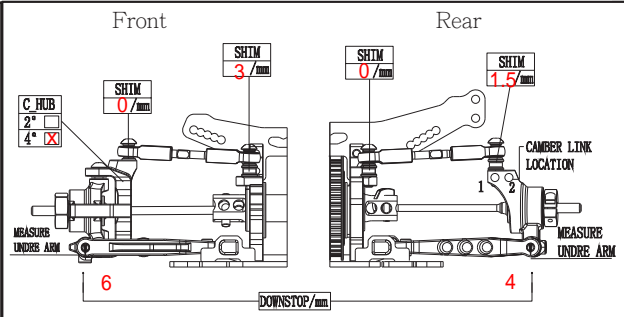
DATE \_\_\_\_\_ TEMPERATURE/AIR \_\_\_\_\_ TRACK \_\_\_\_\_  
 \* For ° C  
 PINION/T **28T** SPUR GEAR/T **114T**

FRONT REAR  
**MTS Silver** SPRINGS **MTS Silver**

TP 40WT OIL/CST TP 40WT  
 LENGTH/mm \_\_\_\_\_  
 PRELOAD/mm **0** REBOUND % **0**

YES  NO FOAM INSERTS  YES  NO  
 YES  NO O-RING ON SHAFT  YES  NO

PISTONS  
 0 HOLES 2.0mm  0 HOLES   
 1 HOLES 2.0mm  1 HOLES   
 2 HOLES OTHERS  2 HOLES   
 3 HOLES  3 HOLES



FRONT	THICKNESS/mm	ANTI-ROLL BAR THICKNESS/mm	BACK	Tire Set Used:
	1.4mm		1.2mm	Team Powers 34X Control Tire Set
	1.6mm	<input checked="" type="checkbox"/>	1.4mm	
	1.8mm		1.6mm	

