

SET-UP SHEET



NAME _____
 CITY/COUNTRY _____
 CONTACT _____

RACE **JV Track (Big Size, High Speed Track) in HK**
 TRACK **(Standard Setup)**

TRACK CONDITION: CARPET ASPHALT
 TECHNICAL MIXED FAST
 TRACTION: LOW MEDIUM HIGH

DATE _____ TEMPERATURE/AIR TRACK
 * For ° C _____
 PINION/T **28T** SPUR GEAR/T **114T**

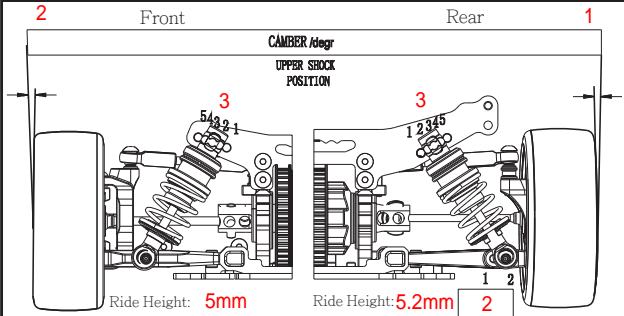
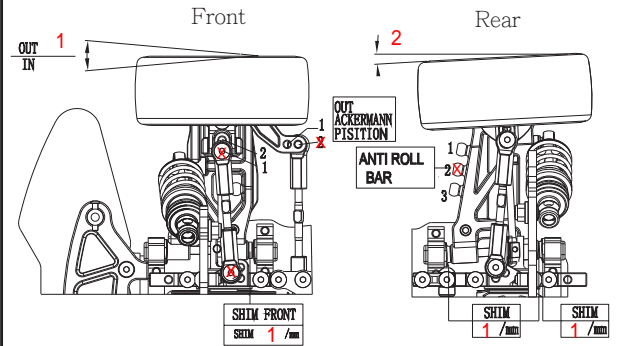
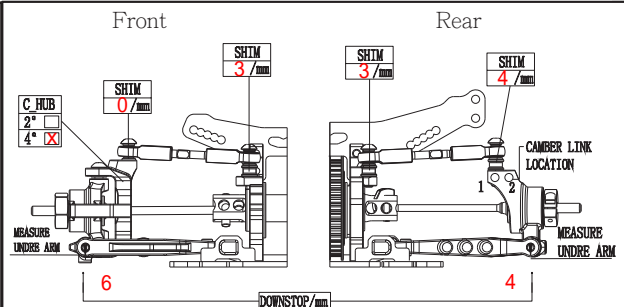
FRONT REAR
MTS Golden SPRINGS **MTS Silver**

TP 45WT OIL/CST TP 45WT
 LENGTH/mm _____
 PRELOAD/mm **0**
 REBOUND % **0**

YES NO FOAM INSERTS YES NO
 YES NO O-RING ON SHAFT YES NO

PISTONS

<input type="checkbox"/> 0 HOLES	2.0mm	<input type="checkbox"/> 0 HOLES	<input type="checkbox"/>
<input type="checkbox"/> 1 HOLES	2.0mm	<input type="checkbox"/> 1 HOLES	<input type="checkbox"/>
<input type="checkbox"/> 2 HOLES	OTHERS	<input type="checkbox"/> 2 HOLES	<input type="checkbox"/>
<input checked="" type="checkbox"/> 3 HOLES		<input type="checkbox"/> 3 HOLES	<input checked="" type="checkbox"/>



FRONT	ANTI_ROLL BAR THICKNESS/mm	BACK	Tire Set Used:
1.4mm		1.2mm	Team Powers 38X Control Tire Set
1.6mm	<input checked="" type="checkbox"/>	1.4mm	
1.8mm	<input checked="" type="checkbox"/>	1.6mm	

