

# SET-UP SHEET



NAME: **Fong King**

CITY/COUNTRY: \_\_\_\_\_

CONTACT: \_\_\_\_\_

RACE: **PYC Track (Medium Size, High Speed Track) in HK**

TRACK: **(Modify A8)**

TRACK CONDITION:  CARPET  ASPHALT

TECHNICAL  MIXED  FAST

TRACTION:  LOW  MEDIUM  HIGH

DATE: **PYC Track (Medium Size, High Speed Track) in HK**

TEMPERATURE: \_\_\_\_\_ AIR: \_\_\_\_\_ TRACK: \_\_\_\_\_

PINION/T: **29T** SPUR GEAR/T: **114T**

FRONT: \_\_\_\_\_ REAR: \_\_\_\_\_

Race opt 2.6-3.1 (red) SPRINGS Race opt 2.6-3.1 (red)

TP 40WT OIL/CST TP 40WT

LENGTH/mm \_\_\_\_\_

PRELOAD/mm **0**

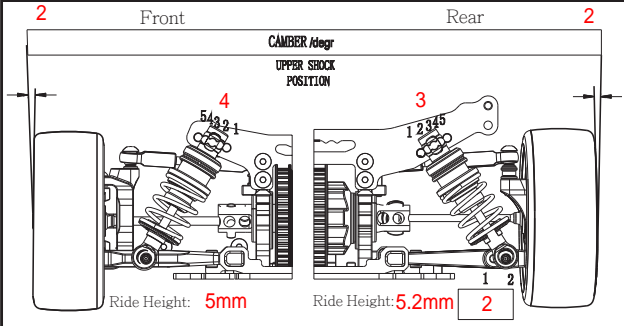
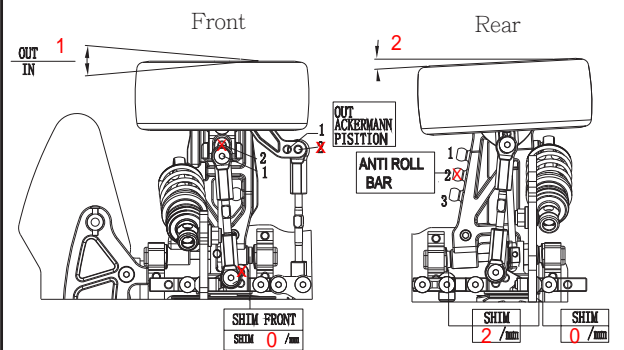
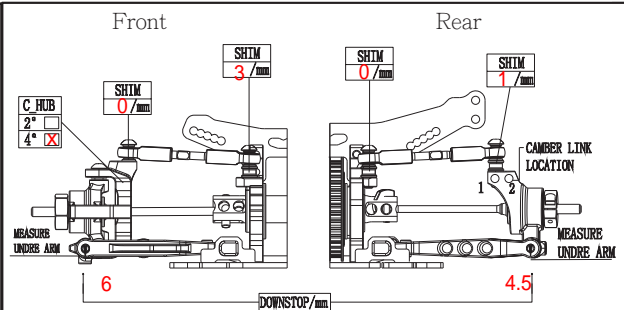
REBOUND % **0**

YES  NO FOAM INSERTS  YES  NO

YES  NO O-RING ON SHAFT  YES  NO

PISTONS

<input type="checkbox"/> 0 HOLES	2.0mm	<input type="checkbox"/> 0 HOLES	<input type="checkbox"/>
<input type="checkbox"/> 1 HOLES	2.0mm	<input type="checkbox"/> 1 HOLES	<input type="checkbox"/>
<input type="checkbox"/> 2 HOLES	OTHERS	<input type="checkbox"/> 2 HOLES	<input type="checkbox"/>
<input checked="" type="checkbox"/> 3 HOLES		<input type="checkbox"/> 3 HOLES	<input checked="" type="checkbox"/>



FRONT	THICKNESS/mm	ANTI_ROLL BAR THICKNESS/mm	BACK	Tire Set Used:
1.4mm	<input checked="" type="checkbox"/>	<input checked="" type="checkbox"/>	1.2mm	Sweep 36R Control Tire Set
1.6mm	<input type="checkbox"/>	<input type="checkbox"/>	1.4mm	
1.8mm	<input type="checkbox"/>	<input type="checkbox"/>	1.6mm	

