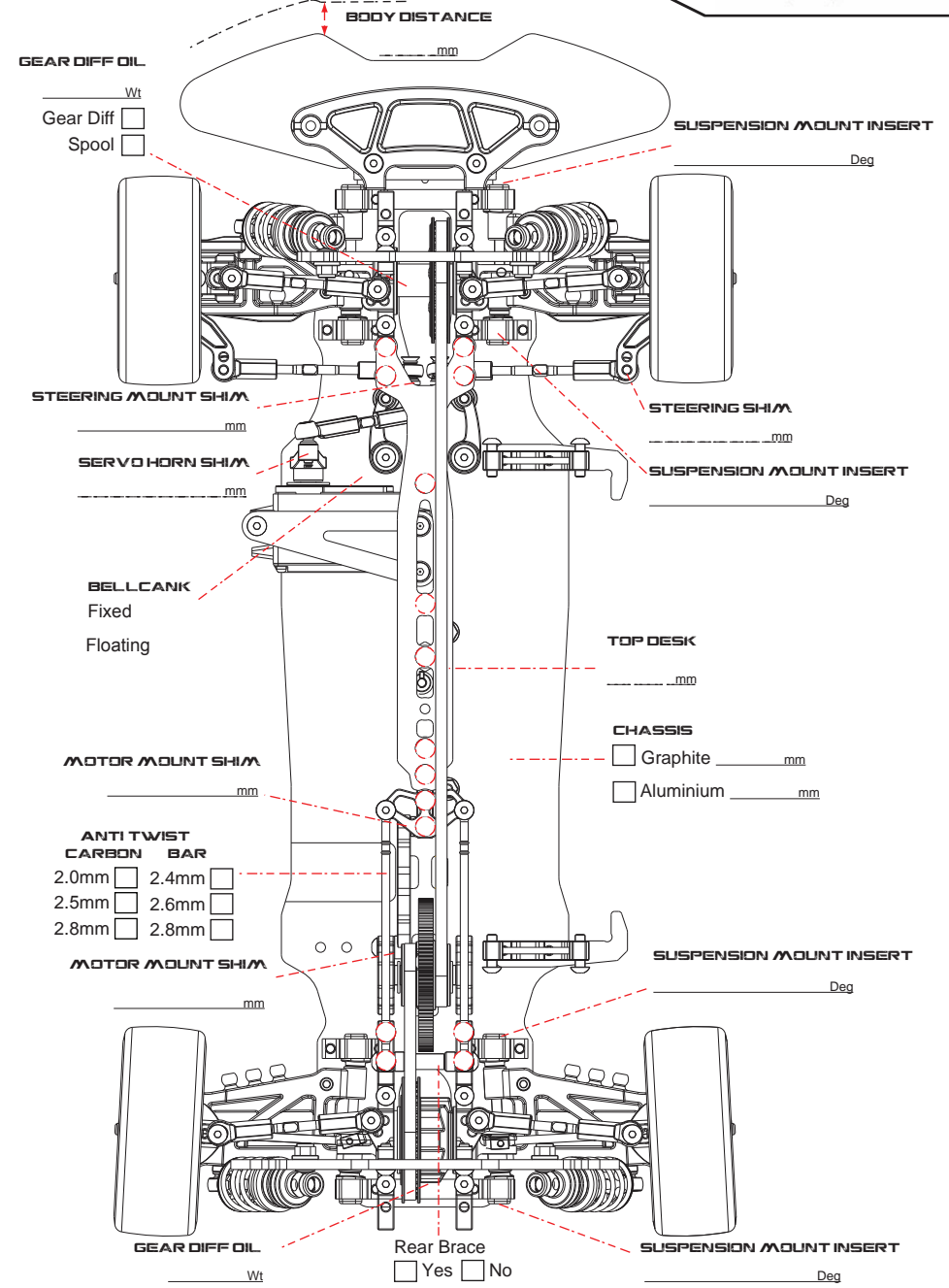
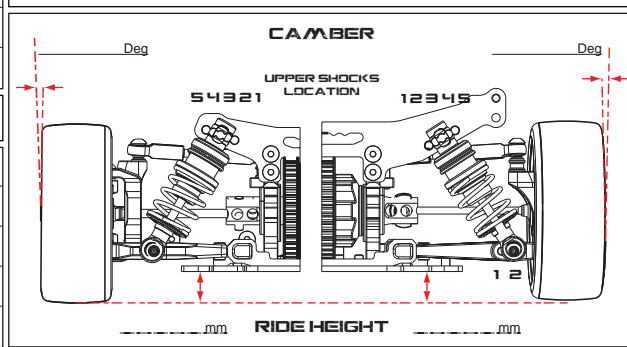
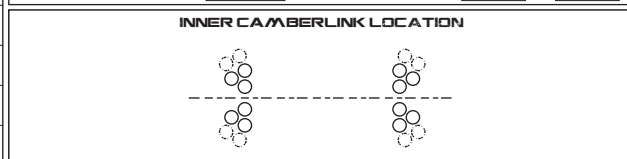
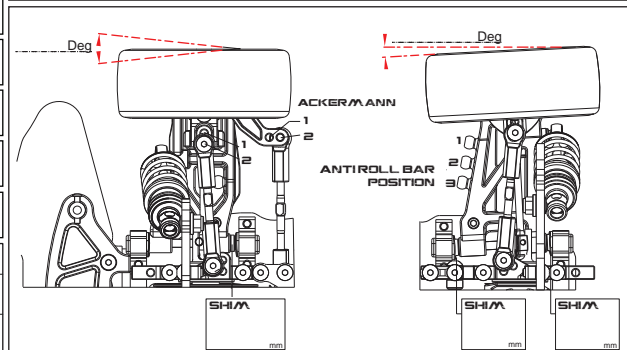
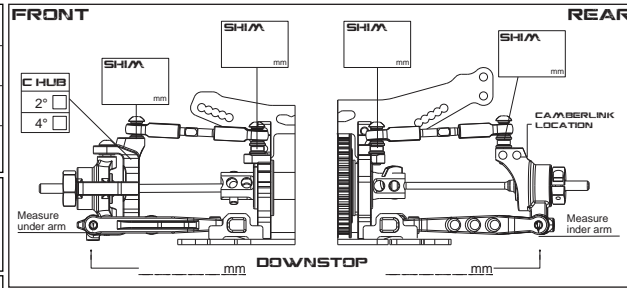


# SETUP SHEET



NAME		
DATE		
EVENT		
TRACK		
<b>TRACK CONDITION</b> <input type="checkbox"/> Asphalt (Indoor/Outdoor) <input type="checkbox"/> Carpet <input type="checkbox"/> Technical <input type="checkbox"/> Mixed <input type="checkbox"/> Fast <input type="checkbox"/> Low <input type="checkbox"/> Medium <input type="checkbox"/> High <input type="checkbox"/> Bumpy <input type="checkbox"/> Smooth		
HUMIDITY	TEMP AIR	TRACK
MOTOR		
PINION	SPUR	PITCH
ESC		
BATTERY		
<b>FRONT</b>	<b>SHOCKS</b>	<b>REAR</b>
	SPRING	
	PISTON	
	OIL	
	LENGTH	
	PRELOAD	
	REBOUND	
<input type="checkbox"/> Yes <input type="checkbox"/> No	FOAM INSERTS	<input type="checkbox"/> Yes <input type="checkbox"/> No
	O RING ON SHAFT	
<b>ANTIROLL BAR</b>		
TIRE		
RIM		
INSERT		
ADDITIVE		
SURFACE		



Arno / PetitRC.com

