

SET-UP SHEET



NAME Brad Portelli
CITY/COUNTRY Australia
CONTACT

RACE 2016 Bendigo Classic
TRACK Bendigo

Windy, bumpy
TRACK CONDITION
 TECHNICAL CARPET ASPHALT
 FAST MIXED
TRACTION
 LOW MEDIUM HIGH

DATE 2/10/16 **TEMPERATURE/AIR** 20 **TRACK**
PINION/T 110 **SPUR GEAR/T** 26

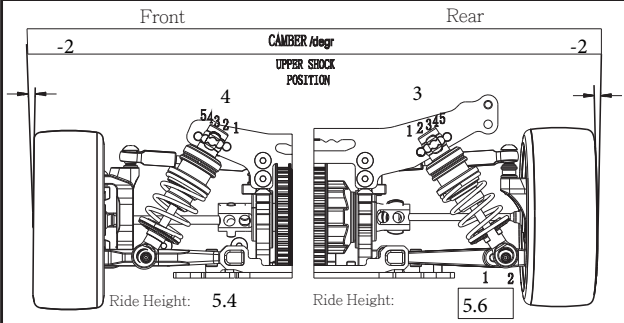
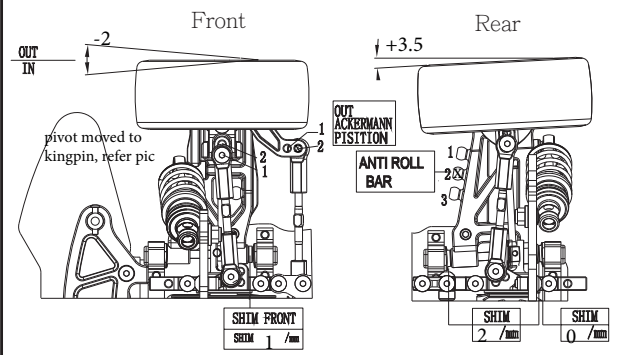
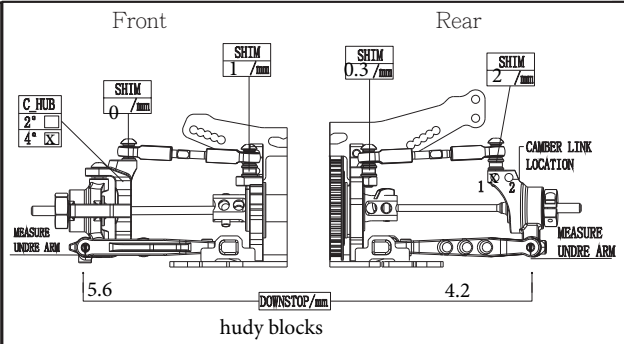
FRONT **REAR**
Silver **SPRINGS** **Gold**

Ae 35wt425 **OIL/CST** **Ae 35wt425**
LENGTH/mm
PRELOAD/mm
0 **REBOUND %** **0**

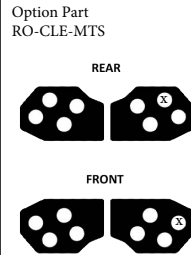
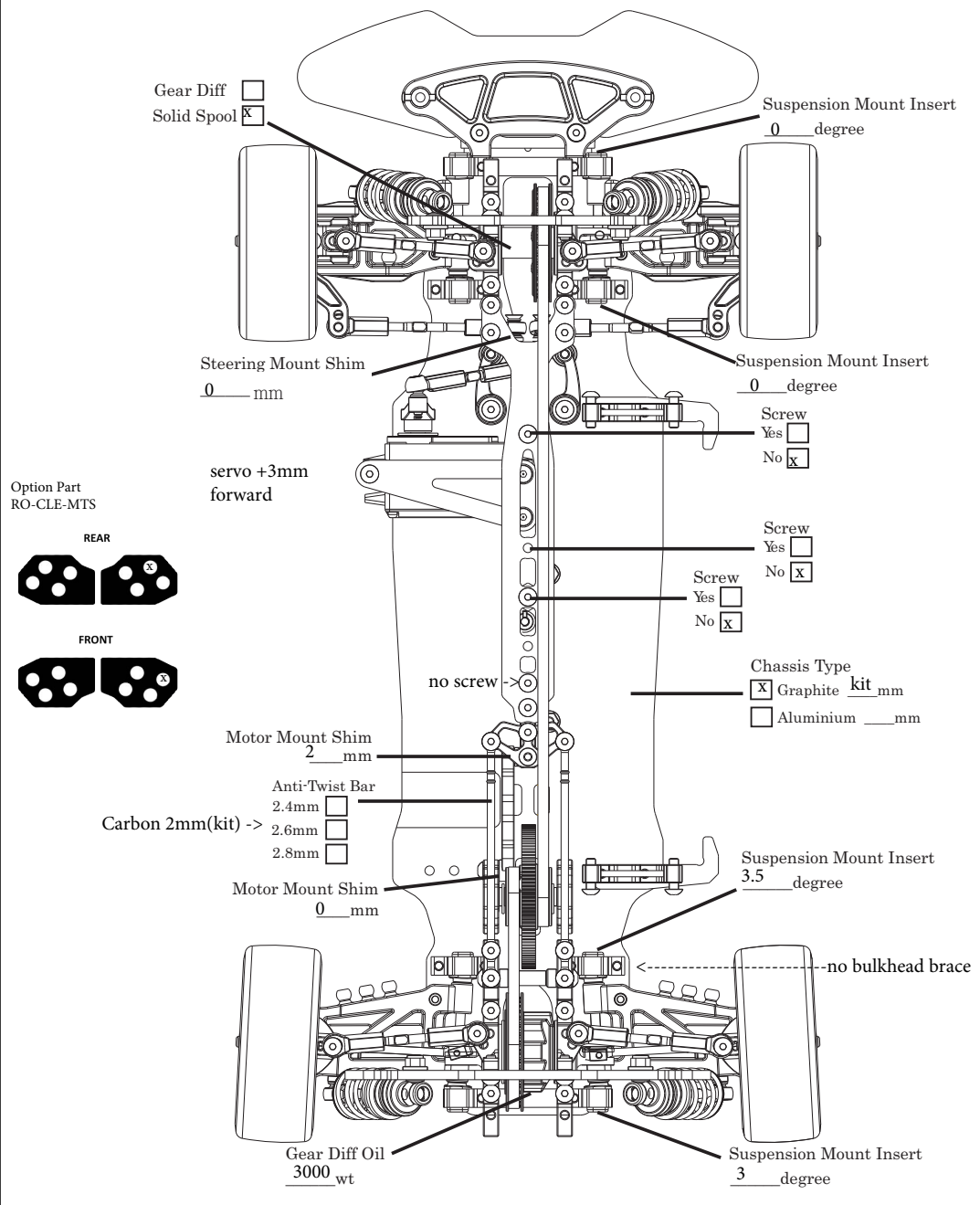
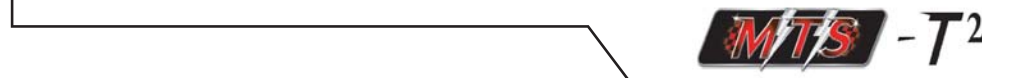
YES NO **FOAM INSERTS** YES NO
 YES NO **O_RING ON SHAFT** YES NO

PISTONS
 0 HOLES 2.0mm 0 HOLES
 1 HOLES 2.0mm 1 HOLES
 2 HOLES OTHERS 2 HOLES
 3 HOLES 3 HOLES

Race gear: Team Powers 4.5T, Radon ProV2, 6400mah, Sanwa 472, R1 Digital Drive LP Servo, Protoform LTRC



FRONT	THICKNESS/mm	ANTI_ROLL BAR THICKNESS/mm	BACK	Tire Set Used:
<input type="checkbox"/>	1.4mm	X	<input type="checkbox"/>	Volante Gold 36R Control tire
<input type="checkbox"/>	1.6mm	X	<input type="checkbox"/>	Volante Purple Additive
<input type="checkbox"/>	1.8mm	X	<input type="checkbox"/>	



Race gear: Team Powers 4.5T, Radon ProV2, 6400mah, Sanwa 472, R1 Digital Drive LP Servo, Protoform LTRC

