

SET-UP SHEET



NAME _____
 CITY/COUNTRY _____
 CONTACT _____

RACE **ACO Track (Big Size, Medium to low traction) in HK**
 TRACK **(Standard Setup)**

TRACK CONDITION CARPET ASPHALT
 TECHNICAL MIXED FAST
 TRACTION LOW MEDIUM HIGH

DATE _____ TEMPERATURE/AIR _____ TRACK _____
 * For ° C
 PINION/T **29T** SPUR GEAR/T **114T**

FRONT REAR

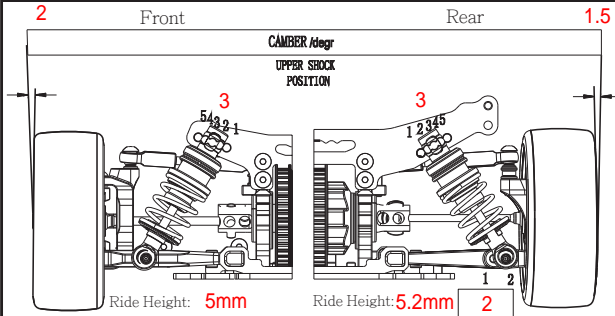
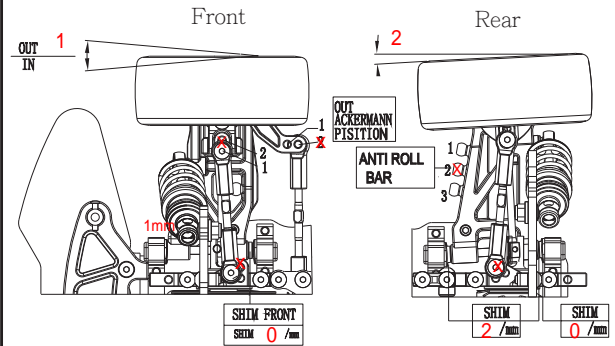
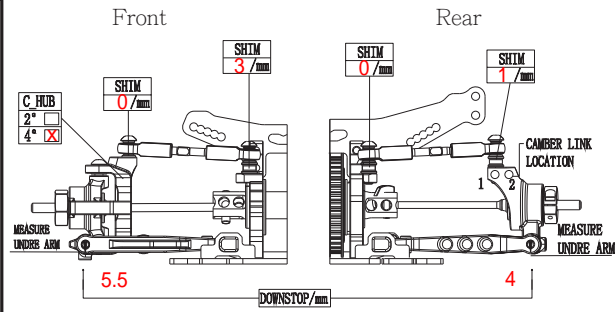
Race opt: **Spring: 2.5-2.9** SPRINGS Race Opt **Spring: 2.5-2.9**

TP 40WT	OIL/CST	TP 40WT
	LENGTH/mm	
0	PRELOAD/mm	0
0	REBOUND %	0

YES NO FOAM INSERTS YES NO
 YES NO O-RING ON SHAFT YES NO

PISTONS

<input type="checkbox"/> 0 HOLES	2.0mm	<input type="checkbox"/> 0 HOLES	<input type="checkbox"/>
<input type="checkbox"/> 1 HOLES	2.0mm	<input type="checkbox"/> 1 HOLES	<input type="checkbox"/>
<input type="checkbox"/> 2 HOLES	OTHERS	<input type="checkbox"/> 2 HOLES	<input type="checkbox"/>
<input checked="" type="checkbox"/> 3 HOLES		<input type="checkbox"/> 3 HOLES	<input checked="" type="checkbox"/>



FRONT	THICKNESS/mm	ANTI-ROLL BAR THICKNESS/mm	BACK	Tire Set Used:
1.4mm	<input checked="" type="checkbox"/>	<input checked="" type="checkbox"/>	1.2mm	GQ 36R Control Tire Set
1.6mm			1.4mm	
1.8mm			1.6mm	

