

SET-UP SHEET



NAME	Ming	
CITY/COUNTRY	Hong Kong	
CONTACT		

RACE	ACO (Small Size Track)	
TRACK		

Motor Turn:	13.5T
-------------	-------

TRACK CONDITION	<input type="checkbox"/> CARPET	<input checked="" type="checkbox"/> ASPHALT
	<input type="checkbox"/> TECHNICAL	<input type="checkbox"/> MIXED
TRACTION	<input type="checkbox"/> LOW	<input type="checkbox"/> MEDIUM
	<input type="checkbox"/> FAST	<input type="checkbox"/> HIGH

DATE	Jun-29,2016	TEMPERATURE/° For° C	AIR	TRACK
------	-------------	----------------------	-----	-------

PINION/T	48pitch 25T	SPUR GEAR/T	48pitch 84 T
----------	----------------	-------------	-----------------

FRONT	REAR
-------	------

Golden(MTS)	SPRINGS	Silver(MTS)
-------------	---------	-------------

50wt	OIL/CST	40wt
------	---------	------

	LENGTH/mm	
--	-----------	--

	PRELOAD/mm	
--	------------	--

30%	REBOUND %	30%
-----	-----------	-----

<input type="checkbox"/> YES <input type="checkbox"/> NO	FOAM INSERTS	<input type="checkbox"/> YES <input type="checkbox"/> NO
--	--------------	--

<input type="checkbox"/> YES <input type="checkbox"/> NO	O_RING ON SHAFT	<input type="checkbox"/> YES <input type="checkbox"/> NO
--	-----------------	--

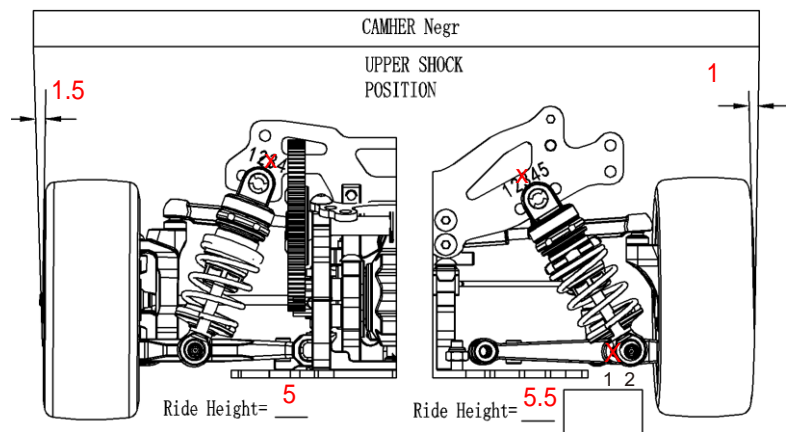
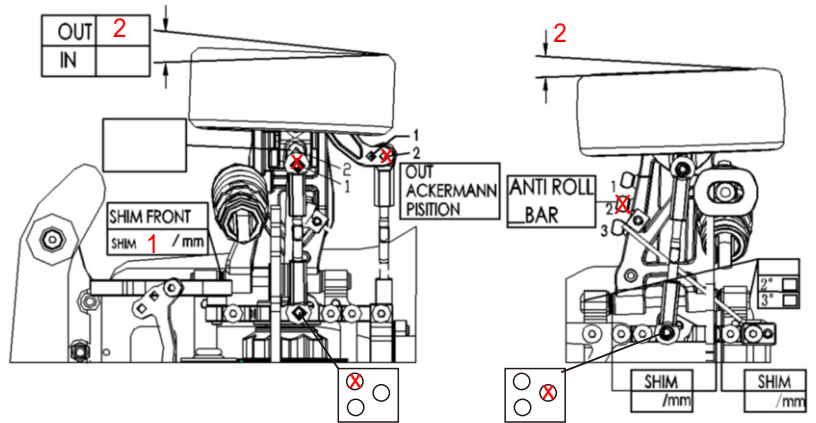
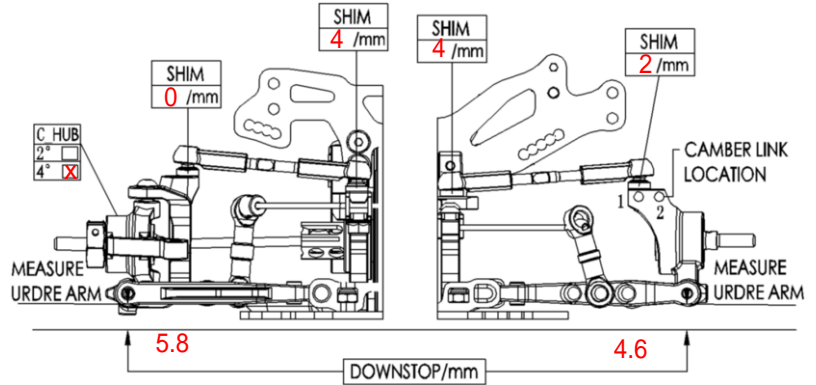
	PISTONS	
--	---------	--

<input checked="" type="checkbox"/> 2 HOLES	2.0mm	2 HOLES <input checked="" type="checkbox"/>
---	-------	---

<input type="checkbox"/> 3 HOLES	2.0mm	3 HOLES <input type="checkbox"/>
----------------------------------	-------	----------------------------------

<input type="checkbox"/>	OTHERS	<input type="checkbox"/>
--------------------------	--------	--------------------------

<input type="checkbox"/>		<input type="checkbox"/>
--------------------------	--	--------------------------



FRONT	THICKNESS/mm	ANTI_ROLL BAR	THICKNESS/mm	BACK	Tire Set used:
1.4mm				1.2mm	
1.6mm			X	1.4mm	
1.8mm	X			1.6mm	



SET-UP SHEET

