

TRACK CONDITION

ENVIRONMENT: INDOOR OUTDOOR
COMPOSITION: CARPET ASPHALT
TRACTION: LOW MEDIUM HIGH
LAYOUT: SLOW MIXED FAST
SURFACE: BUMPY SMOOTH
NOTE: _____

ELECTRONICS

MOTOR: _____ **TIMING:** _____
PINION: _____ **SPUR:** _____
ESC: _____
BATTERY: _____
SERVO: _____
RECEIVER: _____

SHOCK ABSORBERS

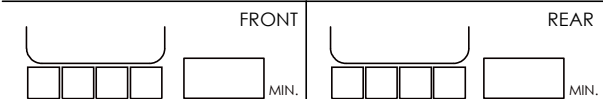
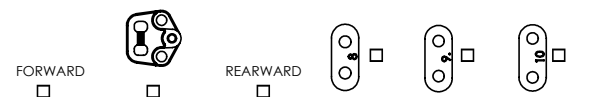
FRONT _____ **REAR** _____
PISTON: _____ **PISTON:** _____
OIL: _____ **OIL:** _____
SPRING: _____ **SPRING:** _____
REBOUND: _____ **REBOUND:** _____
NOTE: _____

ANTI-ROLL BAR

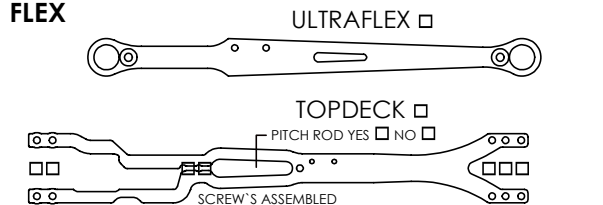
FRONT: 1.2 1.3 1.4 1.5 _____
REAR: 1.1 1.2 1.3 1.4 _____

TIRES & WHEELS

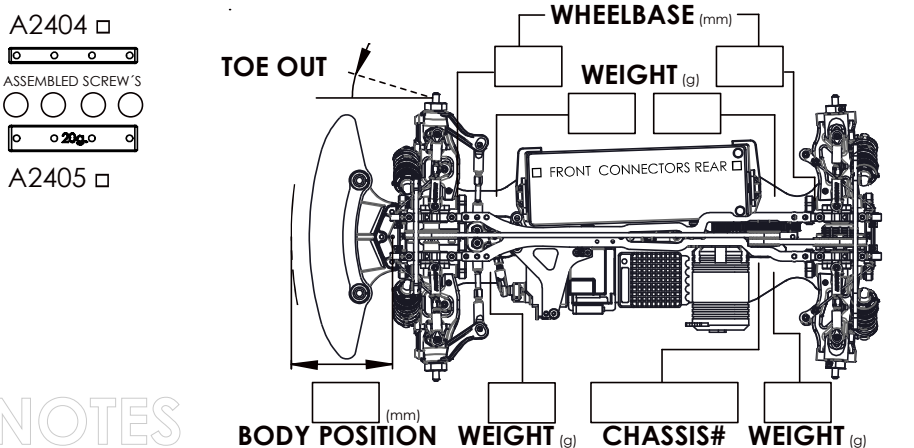
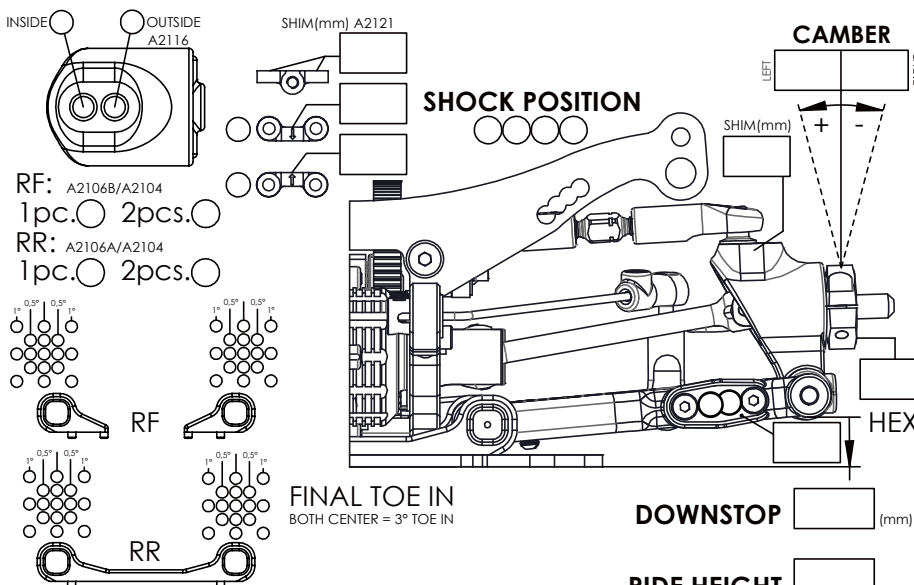
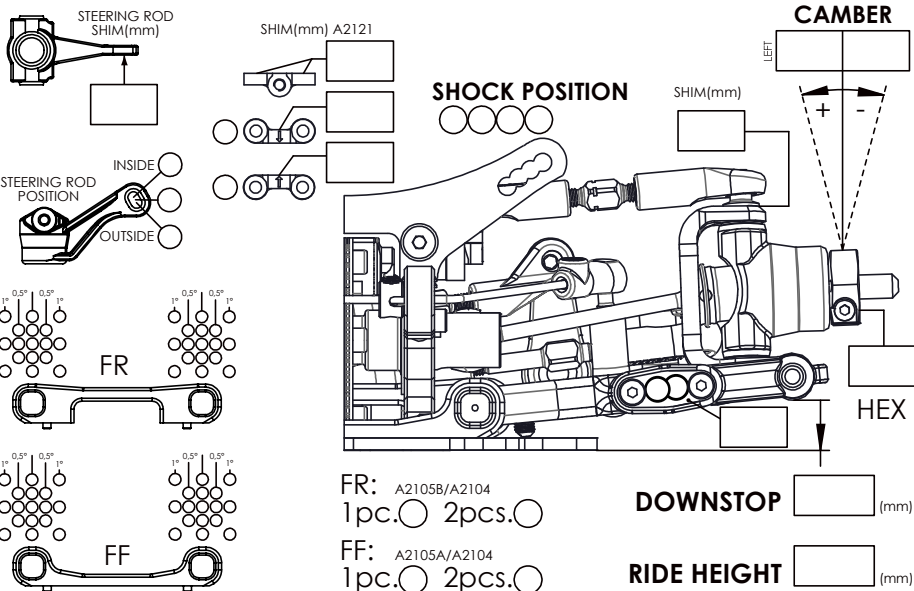
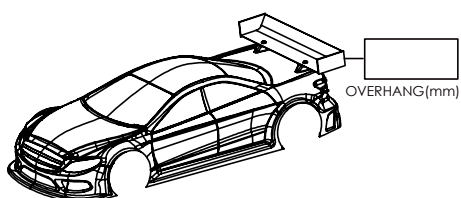
TIRE: _____
INSERT: _____
WHEEL: _____
TREATMENT: _____
NOTE: _____


SERVO SAVER POSITION

TRANSMISSION HEIGHT

SPOOL _____ **DIFFERENTIAL** _____
HIGH **HIGH** **OIL:** _____
LOW **LOW**

FLEX

AERODYNAMICS

BODY: _____
WING: _____


NOTES

STEERING SHAFT MOUNTED ON SERVOPLATE CHASSIS

STEERING STOPPER A2304/A2305/A2306
 $\phi 5$ $\phi 5,5$ $\phi 6$ NO

NOTES