

DATE	8/21/2017
DRIVER	Atsushi Hara
TRACK	RC Stadium Seiki

CARPET  ASPHALT

**TRACTION**

LOW  MEDIUM  HIGH

**LAYOUT**

SLOW  MIXED  FAST

**ELECTRIC'S**

STEERING SERVO	TYPE <b>Futaba</b>	SETTINGS <b>BLS571SV</b>
ESC	TYPE <b>Yokomo BL-PRO4</b>	SETTINGS
ENGINE	TYPE <b>Yokomo</b>	SETTINGS <b>M3 - 4.5T</b>

TYRES/ADDITIVE	TYPE <b>Solex 40</b>	TYPE <b>MTG V3 Yellow</b>
FRONT	FULL <input checked="" type="checkbox"/> MIN. <b>5</b>	REAR
	FULL <input checked="" type="checkbox"/> MIN. <b>5</b>	

**SHOCK ABSORBERS**

FRONT REAR

PISTON **Kit** PISTON **Kit**

OIL **#450** OIL **#450**

SPRING **Xray 2.6** SPRING **Xray 2.6**

**ANTI ROLL BAR FRONT**

1,2  1,3  1,4  1,5

**ANTI ROLL BAR REAR**

1,1  1,2  1,3  1,4

**SERVO SAVER POSITION**

FORWARD  REARWARD

PINION **25T** SPUR **116T**

DIFF **SPOOL**

HIGH  LOW

HIGH  LOW

DIFF OIL CST **#5,000**

**SHOCK POSITION LOWER ARM**

PART# **Kit** PART# **Kit**

HOLE POSITION BALL LINK INSIDE  OUTSIDE

HOLE POSITION BALL LINK INSIDE  OUTSIDE

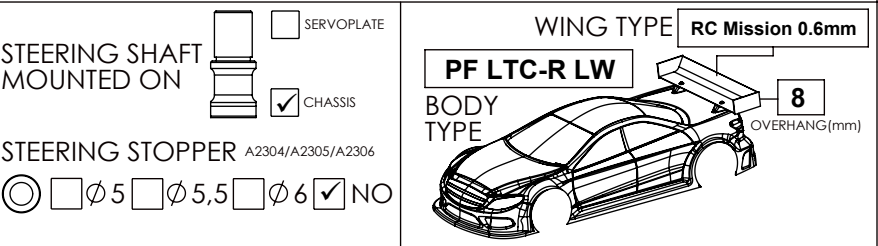
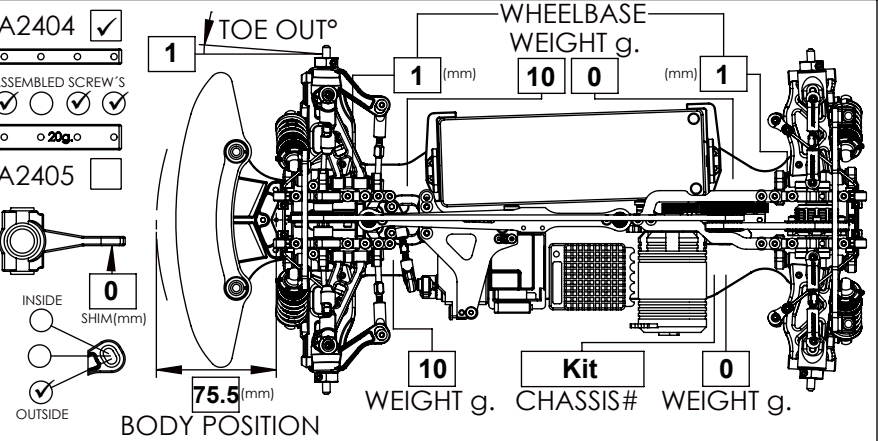
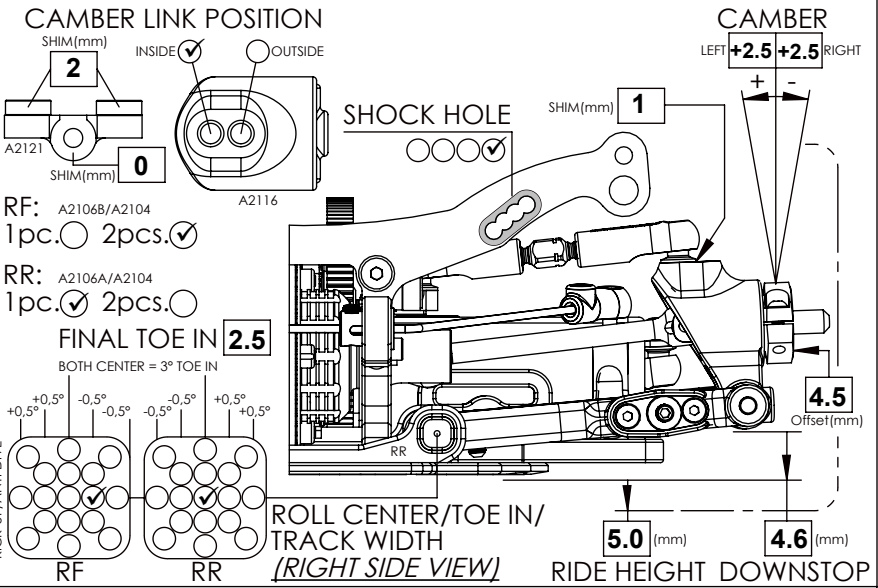
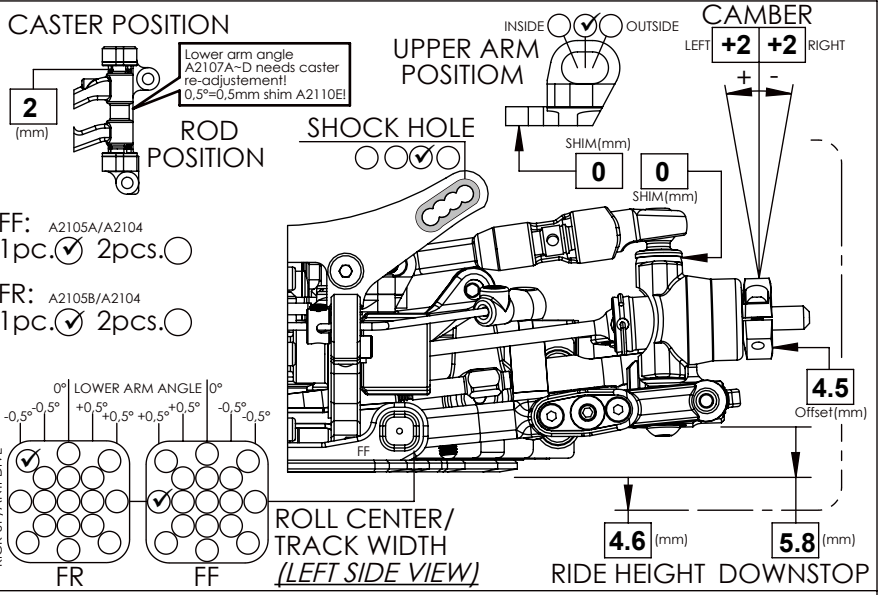
HOLE POSITION BALL LINK INSIDE  OUTSIDE

**FLEX**

ULTRAFLEX

TOPDECK

SCREW'S ASSEMBLED



NOTES:

