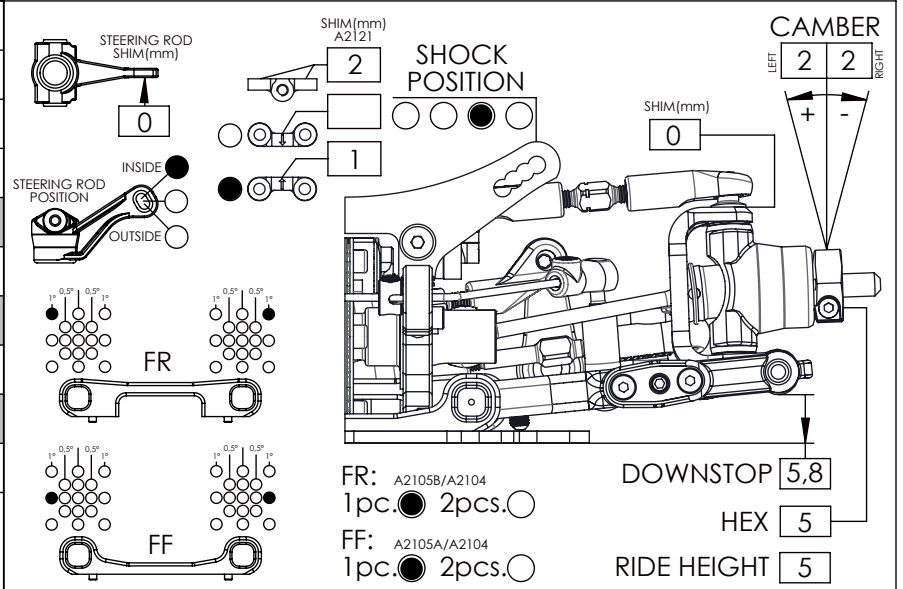
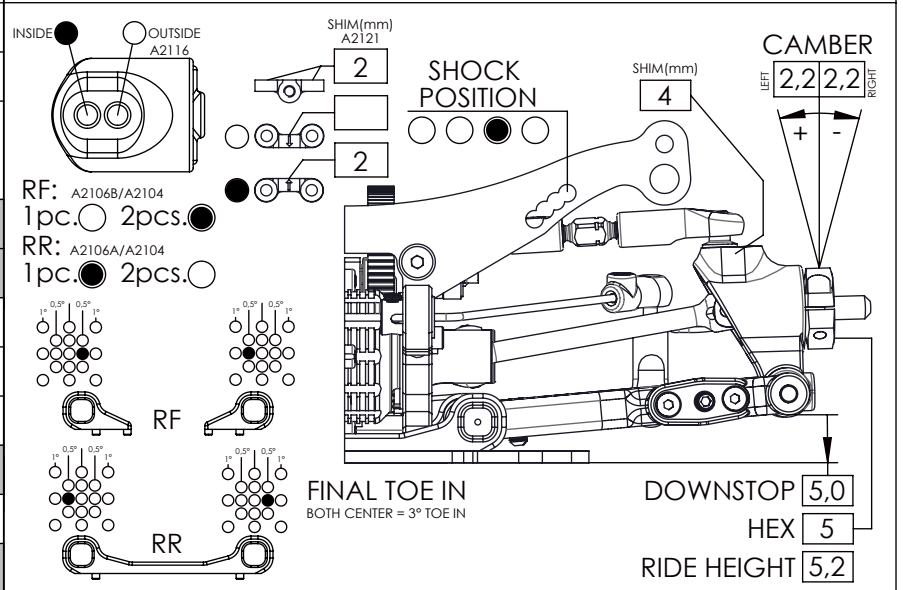


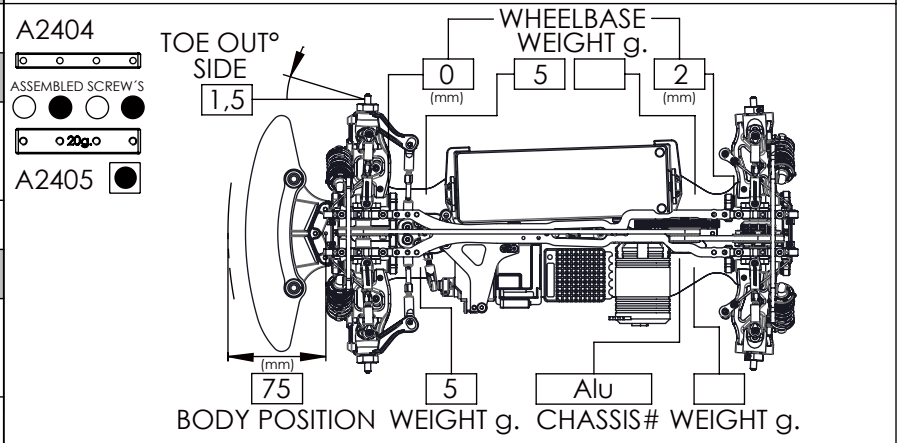
DATE	23.11.2018	
DRIVER	Robert Pietsch	
TRACK	Pracitce	
CARPET	<input checked="" type="checkbox"/> ASPHALT	<input type="checkbox"/>
TRACTION		
LOW	<input checked="" type="checkbox"/> MEDIUM	<input type="checkbox"/> HIGH
LAYOUT		
SLOW	<input checked="" type="checkbox"/> MIXED	<input type="checkbox"/> FAST
ELECTRIC'S		
STEERING SERVO	TYPE	SETTINGS
ESC	TYPE	SETTINGS
ENGINE	TYPE	SETTINGS
TYRES/ADDITIVE	TYPE	TYPE



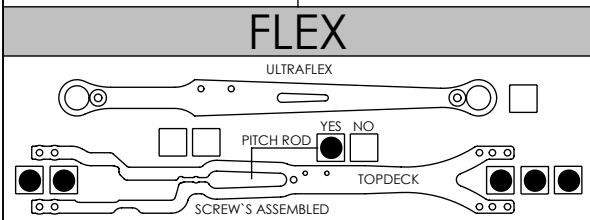
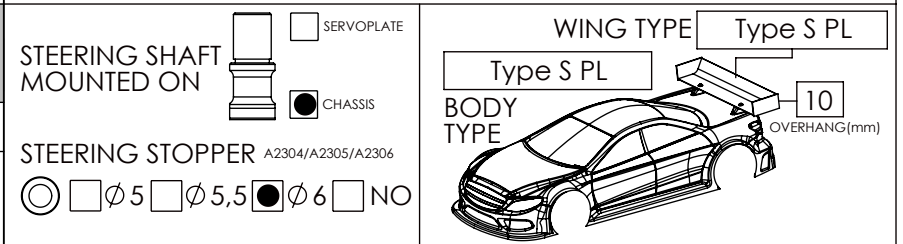
FRONT	FULL <input checked="" type="checkbox"/>	REAR	FULL <input checked="" type="checkbox"/>
MIN.	10	MIN.	10
SHOCK ABSORBERS			
FRONT		REAR	
PISTON	kit	PISTON	kit
OIL	400	OIL	450
SPRING	xray 2,5-2,8	SPRING	xray 2,6
ANTI ROLL BAR FRONT			
1,2	<input checked="" type="checkbox"/> 1,3	1,4	<input type="checkbox"/> 1,5
ANTI ROLL BAR REAR			
1,1	<input type="checkbox"/> 1,2	<input checked="" type="checkbox"/> 1,3	<input type="checkbox"/> 1,4
SERVO SAVER POSITION			
FORWARD	<input type="checkbox"/>	REARWARD	<input checked="" type="checkbox"/>
PINION		SPUR	
DIFF		SPOOL	
HIGH	<input checked="" type="checkbox"/>	HIGH	<input checked="" type="checkbox"/>
LOW	<input type="checkbox"/>	LOW	<input type="checkbox"/>
DIFF OIL CST	6000K 1,3g.		



A2404	<input type="checkbox"/>	ASSEMBLED SCREW'S	<input checked="" type="checkbox"/>
A2405	<input checked="" type="checkbox"/>		
TOE OUT SIDE			
1,5			
WHEELBASE WEIGHT g.			
0	5	2	
(mm)			
BODY POSITION WEIGHT g.			
75	5	Alu	
CHASSIS# WEIGHT g.			



SHOCK POSITION LOWER ARM			
PART#	REAR kit	PART#	FRONT kit
HOLE POSITION BALL LINK	INSIDE <input type="checkbox"/>	HOLE POSITION BALL LINK	INSIDE <input type="checkbox"/>
	OUTSIDE <input checked="" type="checkbox"/>		OUTSIDE <input checked="" type="checkbox"/>



NOTES: