

TRACK CONDITION

ENVIRONMENT: INDOOR OUTDOOR
 COMPOSITION: CARPET ASPHALT
 TRACTION: LOW MEDIUM HIGH
 LAYOUT: SLOW MIXED FAST
 SURFACE: BUMPY SMOOTH
 NOTE: _____

ELECTRONICS

MOTOR: _____ TIMING: _____
 PINION: _____ SPUR: _____
 ESC: _____
 BATTERY: _____
 SERVO: _____
 RECEIVER: _____

SHOCK ABSORBERS

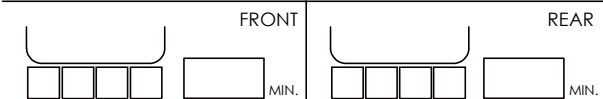
FRONT _____ REAR _____
 PISTON: _____ PISTON: _____
 OIL: _____ OIL: _____
 SPRING: _____ SPRING: _____
 REBOUND: _____ REBOUND: _____
 NOTE: _____

ANTI-ROLL BAR

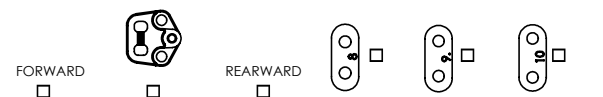
FRONT: 1.2 1.3 1.4 1.5 _____
 REAR: 1.1 1.2 1.3 1.4 _____

TIRES & WHEELS

TIRE: _____
 INSERT: _____
 WHEEL: _____
 TREATMENT: _____
 NOTE: _____



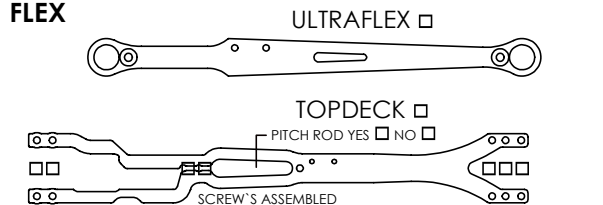
SERVO SAVER POSITION



TRANSMISSION HEIGHT

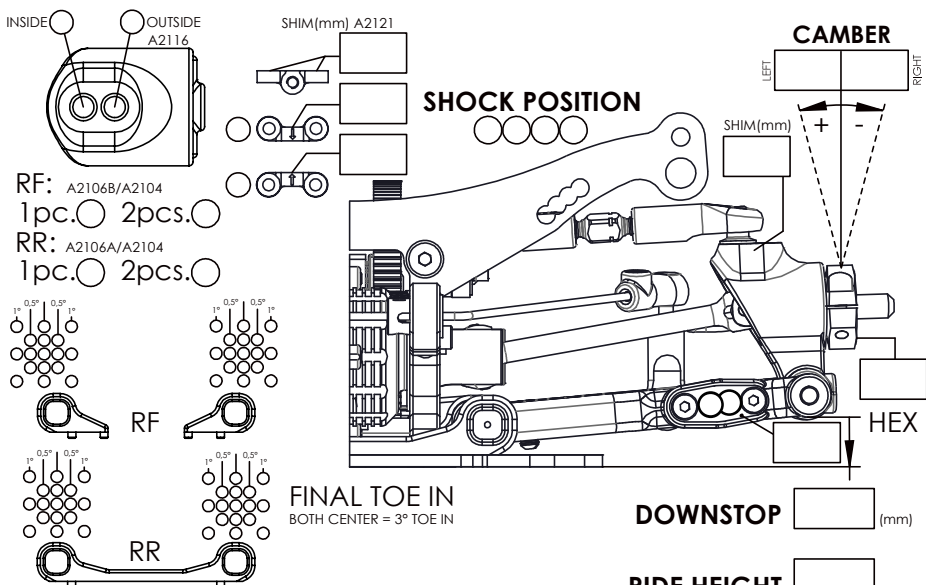
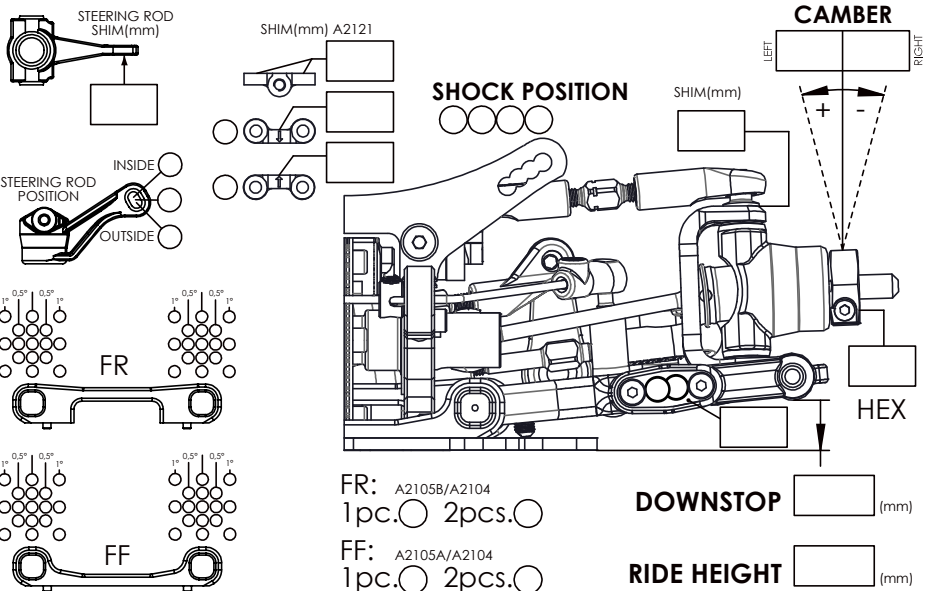
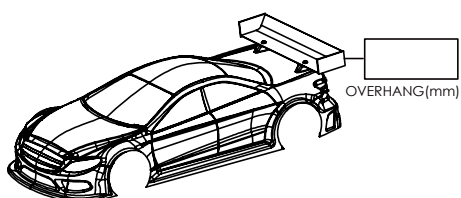
SPOOL _____ DIFFERENTIAL _____
 HIGH _____ HIGH OIL: _____
 LOW _____ LOW

FLEX

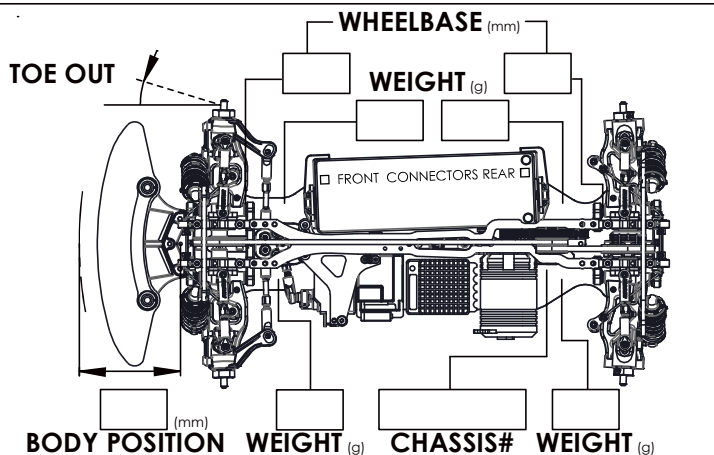
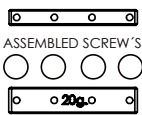


AERODYNAMICS

BODY: _____
 WING: _____



A2404



NOTES

STEERING SHAFT MOUNTED ON _____
 SERVOPLATE _____
 CHASSIS _____
 STEERING STOPPER A2304/A2305/A2306 _____
 $\phi 5$ $\phi 5,5$ $\phi 6$ NO

NOTES