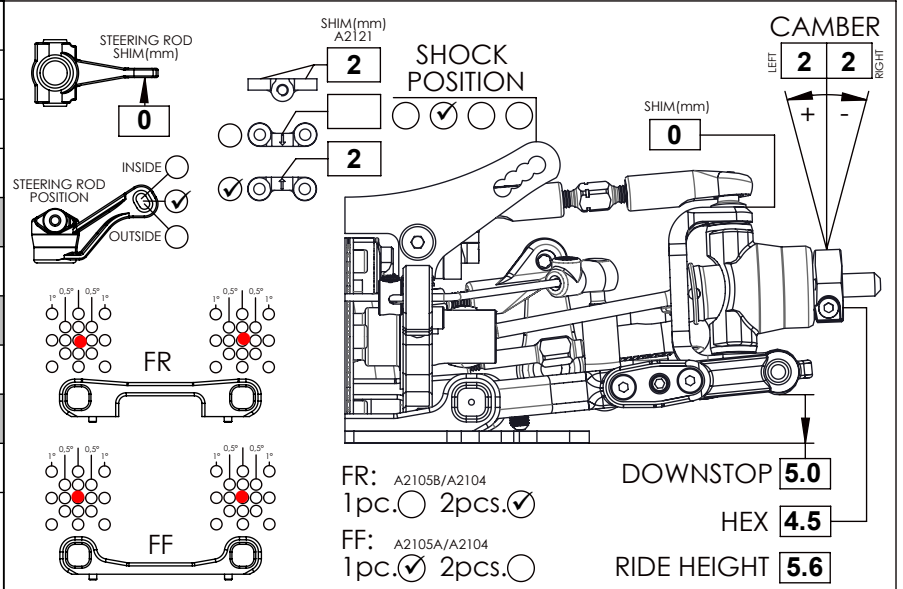
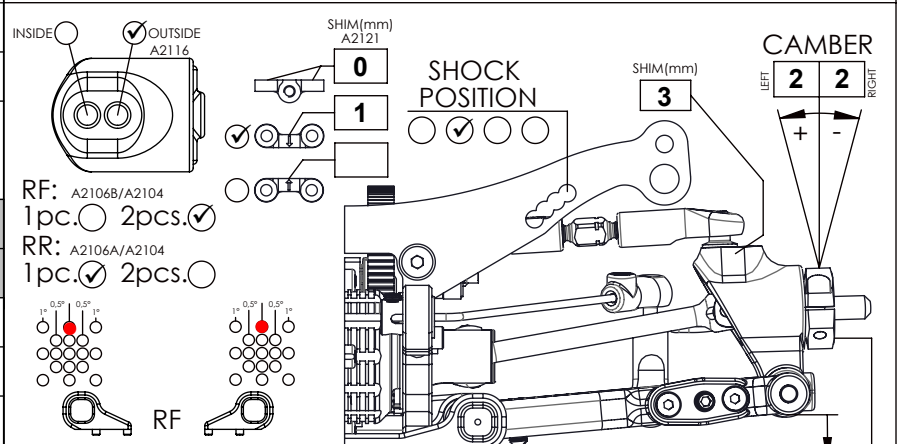


DATE	11/27/2018	
DRIVER	H. Kizaki	
TRACK	Green Park Speedway	
CARPET	<input type="checkbox"/> ASPHALT	<input checked="" type="checkbox"/>
TRACTION		
LOW	MEDIUM	HIGH
<input type="checkbox"/>	<input checked="" type="checkbox"/>	<input type="checkbox"/>
LAYOUT		
SLOW	MIXED	FAST
<input type="checkbox"/>	<input checked="" type="checkbox"/>	<input type="checkbox"/>
ELECTRIC'S		
STEERING SERVO	TYPE	SETTINGS
ESC	TYPE	SETTINGS
ENGINE	TYPE	SETTINGS



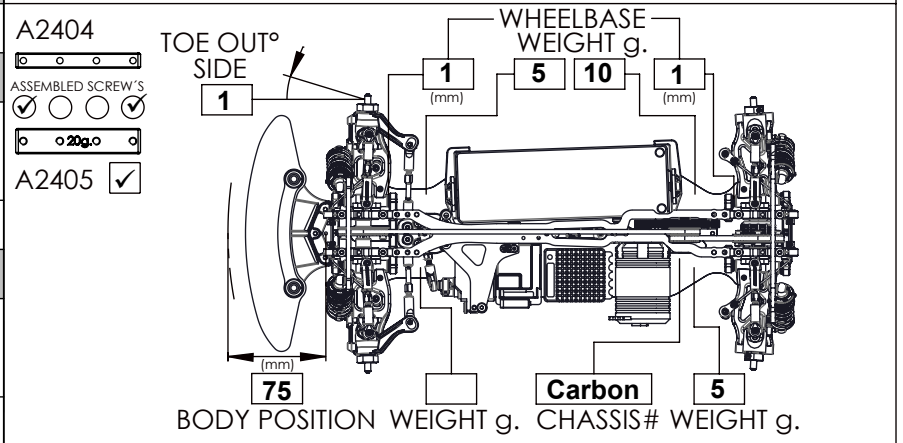
TYRES/ADDITIVE	TYPE	TYPE	
	Rush 36S		
FRONT FULL	<input checked="" type="checkbox"/>	REAR FULL	<input checked="" type="checkbox"/>
MIN.		MIN.	
SHOCK ABSORBERS			
FRONT		REAR	
PISTON	Kit	PISTON	Kit
OIL	#350	OIL	#400
SPRING	1.46P	SPRING	1.46P



ANTI ROLL BAR FRONT			
1,2	1,3	1,4	1,5
<input type="checkbox"/>	<input checked="" type="checkbox"/>	<input type="checkbox"/>	<input type="checkbox"/>
ANTI ROLL BAR REAR			
1,1	1,2	1,3	1,4
<input type="checkbox"/>	<input checked="" type="checkbox"/>	<input type="checkbox"/>	<input type="checkbox"/>

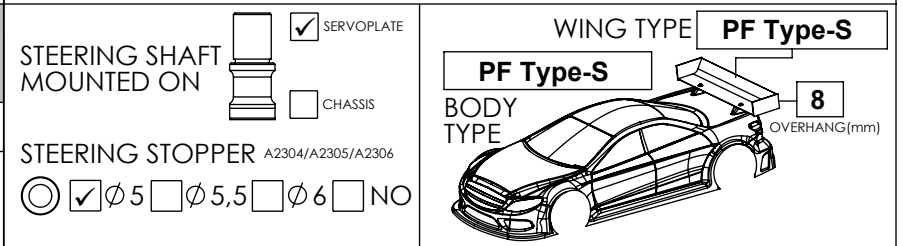


SERVO SAVER POSITION			
FORWARD	<input type="checkbox"/>	REARWARD	<input checked="" type="checkbox"/>



PINION	SPUR		
DIFF	SPOOL		
HIGH	<input checked="" type="checkbox"/>	HIGH	<input checked="" type="checkbox"/>
LOW	<input type="checkbox"/>	LOW	<input type="checkbox"/>
DIFF OIL CST	#10,000	1.3g	

SHOCK POSITION LOWER ARM			
PART#	REAR	PART#	FRONT
HOLE POSITION BALL LINK	INSIDE <input type="checkbox"/>	HOLE POSITION BALL LINK	INSIDE <input type="checkbox"/>
	OUTSIDE <input checked="" type="checkbox"/>		OUTSIDE <input checked="" type="checkbox"/>



FLEX			
ULTRAFLEX	<input type="checkbox"/>		
PITCH ROD	YES <input checked="" type="checkbox"/>	NO <input type="checkbox"/>	
TOPDECK	<input checked="" type="checkbox"/>	<input checked="" type="checkbox"/>	<input checked="" type="checkbox"/>
SCREW'S ASSEMBLED	<input checked="" type="checkbox"/>	<input checked="" type="checkbox"/>	<input checked="" type="checkbox"/>

NOTES:

A2405とA2701/A2402の間に0.5シム (A2811) を追加
 Add 0.5 shim(A2811) between A2405 and A2701/A2402.