

DRIVER	Robert Pietsch	
DATE	03.04.16	
TRACK	Fiorano	

## TRACTION

LOW	MEDIUM	HIGH <input checked="" type="checkbox"/>
-----	--------	--

## LAYOUT

SLOW	MIXED <input checked="" type="checkbox"/>	FAST
------	---	------

## ENGINE

TYPE	Picco otto	
GLOW PLUG/FUEL PIPE/MANIFOLD	7 short	Maxima 2116

## CLUTCH SETTINGS

SHOE#/BELL#	kit	kit
CLEARANCE(mm) / AXIALPLAY(mm)	0,6	0,1-0,2
SPRING#/TENSION(mm)	kit	0,1-0,2

## TYRES

### CONTROLLED

FRONT		BRAND	REAR	
LEFT	RIGHT	Contact	LEFT	RIGHT
32	32	SHORE	35	35
69	69	DIAMETER START	76	76
		DIAMETER 5min		

## SHOCK ABSORBERS

### FRONT REAR

PISTON	kit	PISTON	kit
OIL	500	OIL	700
SPRING	kit	SPRING	se. purple or kit

## ANTI ROLL BAR FRONT

2,2	<input type="checkbox"/>	2,3	<input checked="" type="checkbox"/>	2,4	<input type="checkbox"/>	2,5	<input type="checkbox"/>
-----	--------------------------	-----	-------------------------------------	-----	--------------------------	-----	--------------------------

## ANTI ROLL BAR REAR

2,8	<input type="checkbox"/>	2,9	<input checked="" type="checkbox"/>	3,0	<input type="checkbox"/>
-----	--------------------------	-----	-------------------------------------	-----	--------------------------

## SERVO SAVER POSITION

FORWARD	<input checked="" type="checkbox"/>	REARWARD	<input type="checkbox"/>
	<input type="checkbox"/>		<input checked="" type="checkbox"/>
	<input type="checkbox"/>		<input type="checkbox"/>

## PINION 1st

15T	<input checked="" type="checkbox"/>	16T	<input type="checkbox"/>
-----	-------------------------------------	-----	--------------------------

## PINION 2nd

19T	<input type="checkbox"/>	20T	<input checked="" type="checkbox"/>
-----	--------------------------	-----	-------------------------------------

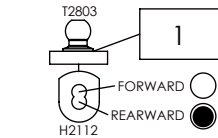
## SPUR 1st

48T	<input checked="" type="checkbox"/>	49T	<input type="checkbox"/>	50T	<input type="checkbox"/>
-----	-------------------------------------	-----	--------------------------	-----	--------------------------

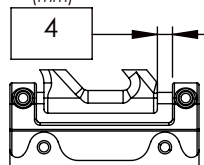
## SPUR 2nd

45T	<input type="checkbox"/>	46T	<input checked="" type="checkbox"/>	47T	<input type="checkbox"/>
-----	--------------------------	-----	-------------------------------------	-----	--------------------------

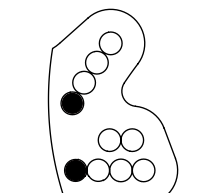
### STEERING ROD POSITION



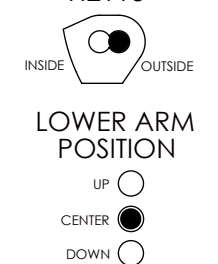
### CASTER ANGLE (mm)



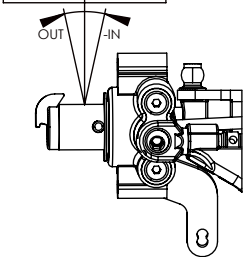
### SHOCK/UPPER ROD POSITION



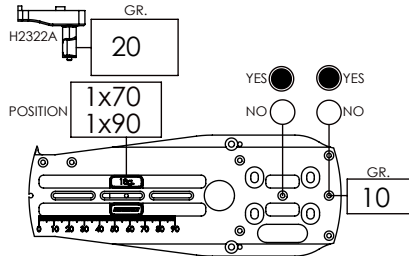
### SHOCK POSITION H2115



### FRONT TOE



### WEIGHT DISTRIBUTION

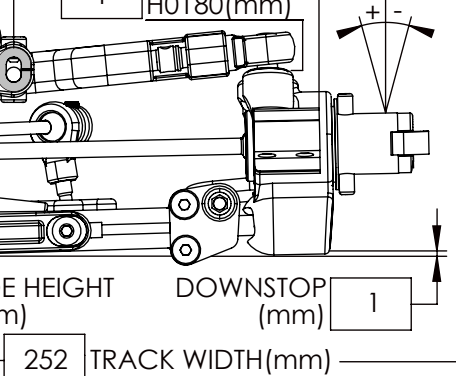


NOTES:  
Setup is with additive on tires!  
C0111C used for rear shock!

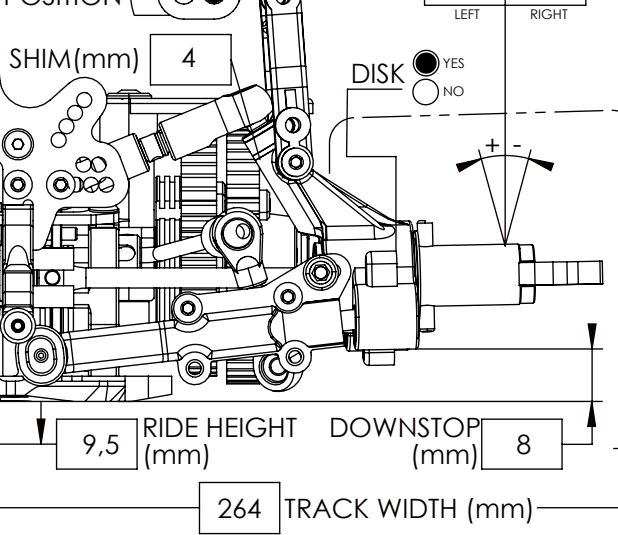
### UPPER ARM POSITION

CAMBER	2	2
	LEFT	RIGHT

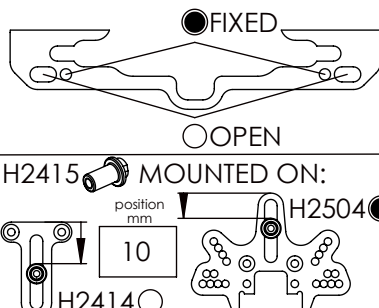
SHOCK HOLE UP CENTER DOWN YES NO DISK



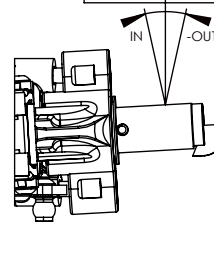
### H0466G POSITION



### RADIOPLATE FLEX



### REAR TOE



### AERO/SETTING

