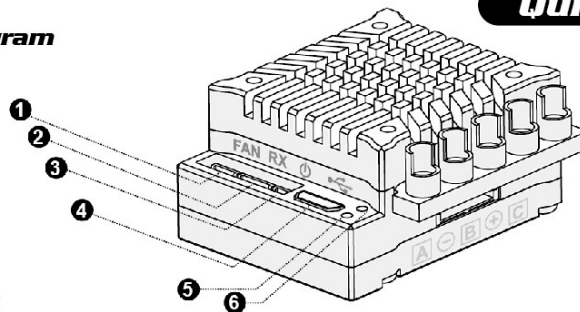


1. MMax Pro Physical Diagram

- 1 Fan power port
- 2 RX receiver port
- 3 Power switch port
- 4 Micro USB host port
- 5 LED #1
- 6 LED #2

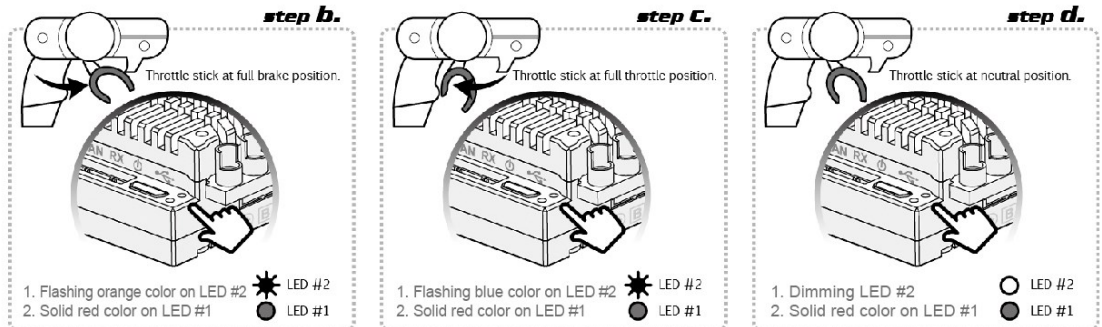


2. Power on MMax Pro ESC

There are 2 ways to power on and off MMax ESC; with the included slide switch plugged into the ESC, it will be controlled by the switch. If the slide switch is not installed, the ESC power is controlled by the battery connection and the ESC will power on as soon as the battery is plugged in. It will then power off when the battery is unplugged.

3. Radio Calibration

a. Power on your transmitter with the ESC off.



b. Hold FULL BRAKE on your transmitter while powering on the ESC. You will get a confirmation tone. You will see a solid RED on LED #1 with flashing ORANGE LED #2. (The flashing ORANGE LED means the ESC is capturing the FULL BRAKE position)

c. When the ORANGE LED turns solid, you will get a second confirmation tone. The LED #2 will begin flashing BLUE. Apply FULL THROTTLE now. (The flashing BLUE LED #2 means the ESC is capturing the FULL THROTTLE position)

d. When the BLUE LED turns solid, release the throttle to neutral position. The LED #2 will be dimming. (The dimming LED #2 means the ESC is capturing the neutral position)

e. You will get a power-on tone to confirm the calibration process is complete.

**A complete radio calibration video could be found from Maclan Racing web site and its YouTube channel. Visit the web site to view the complete process.

4. Programming MMax Pro ESC

There are 2 options to program your Maclan MMax Pro ESC. You can connect the MMax Pro ESC to Maclan ProLink (sold separately) via the RX (receiver) or micro USB port. You can also connect MMax Pro ESC to a Windows-based PC via its micro USB port to program on MMax Pro PC software.

5. Firmware Update

1. Download the latest firmware from www.maclan-racing.com
2. Connect MMax Pro USB to a Windows 7 or Windows 10 PC
3. Run the firmware updating software and follow the instruction on the screen

6. LED Indicators

	LED 1	LED 2	Actions
Power on & no receiver signal	Red	Blue	LED 1 & 2 flash every sec simotaneously
Power on & ROAR blinky mode	Red	Blue & Orange	LED 1 (solid) + LED 2 (alternating blue & orange)
Power on & race open mode	Red	Blue	LED 1 (solid red) + LED 2 (solid blue)
Power on & vehicle runs forward	Red	Blue	LED 1 (solid Red) + LED 2 flashes blue rapidly to solid (full throttle)
Power on & vehicle brakes	Red	Orange	LED 1 (solid Red) + LED 2 flashes orange rapidly to solid (full brake)
Low voltage cut off	Red	Orange	LED 1 & 2 flash every sec simotaneously with motor beeping
ESC temperature cut off	Red	Orange	LED 1 & 2 flash twice every sec simotaneously with motor beeping
Motor temperature cur off	Red	Orange	LED 1 & 2 flash 3 times every sec simotaneously with motor beeping

6. Factory Profiles

The MMax Pro ESC provides 12 profiles. You can select a corresponding profile for your application. You can also reload factory default settings for each profile via the ProLink or a PC. You can also fine tune all parameters in each profile to meet your needs.

Parameters	Profile 1	Profile 2	Profile 3	Profile 4	Profile 5	Profile 6	Profile 7	Profile 8	Profile 9	Profile 10	Profile 11	Profile 12
	Off Road 2WD Blinky	Off Road 4WD Blinky	Off Road 2WD Mod	Off Road 4WD Mod	TC Blinky	TC 13.5 Boost	TC Mod	Drift	Crawler	Custom 1	Custom 2	Custom 3
Run Mode	Race Blinky	Race Blinky	Race Open	Race Open	Race Blinky	Race Open	Race Open	Race Blinky	Race Blinky	Practice	Practice	Practice
SBEC Voltage	6.0V	6.0V	6.0V	6.0V	6.0V	6.0V	6.0V	6.0V	6.0V	6.0V	6.0V	6.0V
Forward Power	100%	100%	100%	100%	100%	100%	100%	100%	100%	100%	100%	100%
Reverse Power	-	-	-	-	-	-	-	-	-	50%	50%	50%
Sensor Mode	Full Sensored	Full Sensored	Full Sensored	Full Sensored	Full Sensored	Full Sensored	Full Sensored	Full Sensored	Full Sensored	Smart Sense	Smart Sense	Smart Sense
Motor Rotation	Normal	Normal	Normal	Normal	Normal	Normal	Normal	Normal	Normal	Normal	Normal	Normal
Battery Cut Off	6.4V	6.4V	6.4V	6.4V	6.4V	6.4V	6.4V	6.4V	6.4V	6.4V	6.4V	6.4V
Motor Temperature Cut	220°F/104°C	220°F/104°C	220°F/104°C	220°F/104°C	220°F/104°C	220°F/104°C	220°F/104°C	220°F/104°C	220°F/104°C	220°F/104°C	220°F/104°C	220°F/104°C
ESC Temperature Cut	220°F/104°C	220°F/104°C	220°F/104°C	220°F/104°C	220°F/104°C	220°F/104°C	220°F/104°C	220°F/104°C	220°F/104°C	220°F/104°C	220°F/104°C	220°F/104°C
Quick Boot	Off	Off	Off	Off	Off	Off	Off	Off	Off	Off	Off	Off
Brake Strength	100%	100%	90%	90%	100%	90%	90%	80%	100%	100%	100%	100%
Brake PWM	1.6KHz	1.6KHz	1.6KHz	1.6KHz	1.6KHz	1.6KHz	1.6KHz	1.6KHz	1.6KHz	1.6KHz	1.6KHz	1.6KHz
Brake Curve	Linear	Linear	Linear	Linear	Linear	Linear	EXP 1	EXP 2	Linear	Linear	Linear	Linear
Drag Brake	0%	0%	5%	5%	0%	5%	10%	0%	100%	0%	0%	0%
Initial Brake	disable	disable	disable	disable	disable	5%	10%	disable	disable	disable	disable	disable
Throttle PWM	2.5KHz	2.5KHz	9.6KHz	9.6KHz	2.5KHz	4KHz	9.6KHz	4KHz	4KHz	4KHz	4KHz	4KHz
Throttle Punch	100%	100%	75%	75%	100%	100%	75%	75%	75%	75%	75%	75%
Throttle Curve	Linear	Linear	Linear	Linear	Linear	Linear	Linear	Linear	Linear	Linear	Linear	Linear
Dead Band	Middle	Middle	Middle	Middle	Middle	Middle	Middle	Middle	Middle	Middle	Middle	Middle
Acceleration Boost Timing	-	-	0	0	-	35	10	-	-	0	0	0
Acceleration Boost Start RPM	-	-	3000	5000	-	3000	5000	-	-	1000	1000	1000
Acceleration Boost Finish RPM	-	-	20000	22000	-	10000	25000	-	-	20000	20000	20000
Turbo Timing	-	-	5	10	-	20	20	-	-	0	0	0
Turbo Up Slew Rate	-	-	3	3	-	5	3	-	-	1	1	1
Turbo Down Slew Rate	-	-	10	10	-	10	10	-	-	1	1	1
Turbo Delay (sec)	-	-	0.05	0.05	-	0.05	0.05	-	-	0	0	0
Over Boost	-	-	-	-	-	-	-	-	-	1	1	1

7. Service & Warranty

Your Maclan MMax Pro ESC is guaranteed to be free from defects in materials and workmanship for a period of 120 days. Your **original receipt** showing the item and the date and place of purchase is required with your warranty service application. An ESC that is found to have been mishandled, abused or used incorrectly, including use in an application other than that for which the ESC is intended, will not be covered under the warranty. Maclan Racing has no control over the use of the ESC application with other electronic devices such as motors and batteries. Maclan Racing is not liable for any loss or damage, whether direct or indirect, incidental, or consequential, or any situation from the use, misuse or abuse of the product. Your MMax Pro ESC is not a toy. This product is not intended for use by a child under age of 14 without adult supervision. The MMax Pro ESC generates a lot of power that could result in physical injuries. By setting up, connecting or operating the product, the user accepts all related liabilities.

For service, please visit www.hadma.com and follow the service instructions for the quickest turnaround time. Or call us at 1-866-206-8558.

For all technical questions, please visit www.maclan-racing.com for the corresponding FAQ, or e-mail your question to service@hobbyauthority-dist.com

Maclan Racing offers a product trade-in program and reserves the right for all warranty applications. Please visit www.maclan-racing.com for details.

WWW.MACLAN-RACING.COM

Made in Taiwan

