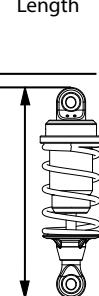
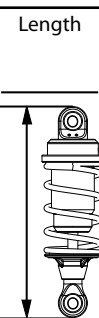


Name: <u>Brian Kinwald</u>	Date: <u>3/7/05</u> Event: <u>General Setup</u>	Track Conditions	
City: <u>Fountain Valley</u> State: <u>CA</u>	Track: <u>SoCal Raceway</u>	Time : _____	Air Temp _____ am pm °F or °C
Country: <u>USA</u>	Qualified: _____ Finish: _____	<input checked="" type="checkbox"/> Indoor	<input checked="" type="checkbox"/> Tight
E-mail: _____	Best Lap Time / sec : _____ Avg. Lap Time / sec : _____	<input type="checkbox"/> Outdoor	<input type="checkbox"/> Open
Phone: _____	Note: _____	<input checked="" type="checkbox"/> Asphalt	<input type="checkbox"/> Sealed
		<input type="checkbox"/> Carpet	<input checked="" type="checkbox"/> Smooth
		<input type="checkbox"/> Concrete	<input type="checkbox"/> Rough
			<input type="checkbox"/> Low Bite
			<input type="checkbox"/> Med Bite
			<input checked="" type="checkbox"/> High Bite

Front Suspension

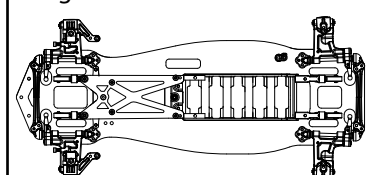
Toe <input type="checkbox"/> In <u>0</u> ° <input type="checkbox"/> Out <u>0</u> ° Camber <input checked="" type="checkbox"/> - <u>2</u> ° <input type="checkbox"/> + <u>2</u> ° Ride Height <u>5</u> mm Kick <input type="checkbox"/> <small>(Small .035) shim=1°</small> # Shims <u>0</u> Caster <input type="checkbox"/> <u>0</u> ° <input type="checkbox"/> <u>0</u> ° Anti-Dive <input type="checkbox"/> <small>(Small .035) shim=1°</small> # Shims <u>0</u>	Pulley <input type="checkbox"/> 42F/42F STD <input checked="" type="checkbox"/> 41F/42R OD <input type="checkbox"/> 42R/41R UD Front Drive <input type="checkbox"/> Diff <input checked="" type="checkbox"/> One-way <input type="checkbox"/> Spool Diff Height <input type="checkbox"/> High <input type="checkbox"/> Low Sway Bars <input checked="" type="checkbox"/> Yes <input type="checkbox"/> No Size <u>.037"</u> Front Pivot <input type="checkbox"/> 0° <input type="checkbox"/> 1° <input checked="" type="checkbox"/> 2° Roll Center <input checked="" type="checkbox"/> High <input type="checkbox"/> Low <u>0</u> #of shims <u>0</u> under block Size of shim	Shock Tower Height <input type="checkbox"/> High <input checked="" type="checkbox"/> Low Center Drive <input type="checkbox"/> Spool <input checked="" type="checkbox"/> One-way 1 2 3 <input checked="" type="checkbox"/> 1 <input type="checkbox"/> 2 <input type="checkbox"/> 3 Drive Shaft <input type="checkbox"/> Pin <input checked="" type="checkbox"/> Bearing Ball Stud Neck <input type="checkbox"/> Tall <input checked="" type="checkbox"/> Short Washers under Ball Stud # <u>0</u> Size <u>0</u> Hex Width <input checked="" type="checkbox"/> Standard <input type="checkbox"/> Other Drive Axle <input checked="" type="checkbox"/> LCD <input type="checkbox"/> CVD	Drag Link <u>1</u> # of washers under ball stud Washer size <u>.030"</u> <input type="checkbox"/> Below <input checked="" type="checkbox"/> Above Ackerman <input type="checkbox"/> 1 <input type="checkbox"/> 2 <input type="checkbox"/> 3 <input checked="" type="checkbox"/> 1 <input type="checkbox"/> 2 <input type="checkbox"/> 3 Arm Spacing <input type="checkbox"/> Forward <input checked="" type="checkbox"/> Middle <input type="checkbox"/> Back Bump Steer <u>3</u> # of washers under spindle Size of Washers <u>.030"</u>
Front Shocks Oil: <u>35</u> Brand: <u>Team Losi</u> Piston: <u>60</u> <input checked="" type="checkbox"/> STD <input type="checkbox"/> Drilled O-rings: <input checked="" type="checkbox"/> x1 <input type="checkbox"/> x2 Spring: <u>35</u> Bladder: <u>Losi White</u> Above Bladder: _____ <u>2 Red O-rings</u>	Length 	Droop Height <u>NOTES</u> mm Droop 4mm above ride height	Notes: _____

Rear Suspension

Toe <input checked="" type="checkbox"/> In <u>1.5</u> ° <input type="checkbox"/> Out <u>1.5</u> ° Ride Height <u>5</u> mm Camber <input type="checkbox"/> - <u>1</u> ° <input type="checkbox"/> + <u>1</u> ° Hub <input type="checkbox"/> 0° <input type="checkbox"/> 1° <input type="checkbox"/> 3° <input checked="" type="checkbox"/> 1/2° <input type="checkbox"/> 2° <input type="checkbox"/> 4°	Washers under Ball Stud # <u>0</u> Size _____ Drive Axle <input type="checkbox"/> LCD <input checked="" type="checkbox"/> CVD Hex Width <input checked="" type="checkbox"/> Standard <input type="checkbox"/> Other Shock Tower Height <input type="checkbox"/> High <input checked="" type="checkbox"/> Low Drive Shaft <input type="checkbox"/> Pin <input checked="" type="checkbox"/> Bearing Diff Height <input checked="" type="checkbox"/> High <input type="checkbox"/> Low Sway Bars <input checked="" type="checkbox"/> Yes <input type="checkbox"/> No Size <u>.037"</u> Rear Pivot <input type="checkbox"/> 0° <input checked="" type="checkbox"/> 1° <input type="checkbox"/> 2° <input type="checkbox"/> -1° <input type="checkbox"/> -2° Roll Center <input checked="" type="checkbox"/> High <input type="checkbox"/> Low <u>0</u> #of shims <u>0</u> under block Size of shim	Ball Stud Neck <input checked="" type="checkbox"/> Tall <input type="checkbox"/> Short 4 3 2 1 <input checked="" type="checkbox"/> 4 <input type="checkbox"/> 3 <input type="checkbox"/> 2 <input type="checkbox"/> 1 Anti-Squat Shim Size <u>.030"</u> Pro-Squat Shim Size <u>0</u> Arm Spacing <input type="checkbox"/> Forward <input checked="" type="checkbox"/> Middle <input type="checkbox"/> Back	Notes: _____ Droop 5mm above ride height
Rear Shocks Oil: <u>40</u> Brand: <u>Team Losi</u> Piston: <u>57</u> <input type="checkbox"/> STD <input type="checkbox"/> Drilled O-rings: <input checked="" type="checkbox"/> x1 <input type="checkbox"/> x2 Spring: <u>17.5</u> Bladder: <u>Losi White</u> Above Bladder: _____ <u>2 red orings</u>	Length 	Droop Height <u>NOTES</u> mm Droop 5mm above ride height	Notes: _____

Body <u>Skoda 2</u> Wing <u>Skoda 2</u> FR Body Hole <u>5</u> RR Body Hole <u>7</u> 5th Body Hole _____ Body Height <u>115mm</u>	Motor <u>Trinity Cobalt</u> Turns <u>7x1</u> Brushes <u>4383</u> Springs <u>Purple</u> Timing <u>12</u>	Spur Gear <u>128</u> Pinion Gear <u>25</u> Spur ÷ Pinion = _____ (Ratio) S/P x 1.83 = _____ (Ratio) Roll Out _____	Servo <u>Airtronics 94360</u> ESC <u>Novak GTX</u> Receiver <u>Novak</u> Battery <u>Trinity GP3300</u> Transponder Location _____
---	---	--	---

Weight Placement



Vehicle Weight

Tires: Brand/Compound	Size (mm)	Insert	Wheel	Additive	Tire Warmers
Front: <u>Sorex 36R</u>		<u>Yokomo 039F</u>	<u>TL24mm</u>	<u>Paragon GE</u>	<input type="checkbox"/> YES <input type="checkbox"/> NO
Rear: <u>Sorex 36R</u>		<u>Yokomo 039F</u>	<u>TL24mm</u>	<u>Paragon GE</u>	<input checked="" type="checkbox"/> YES <input type="checkbox"/> NO

NOTES: Dude....its sooo dialed!!