



# Setup sheet

Name: Hodge Date: 6.11.06 Event: ROAR Nats

City: Speedville State: CA Track: Speedworld

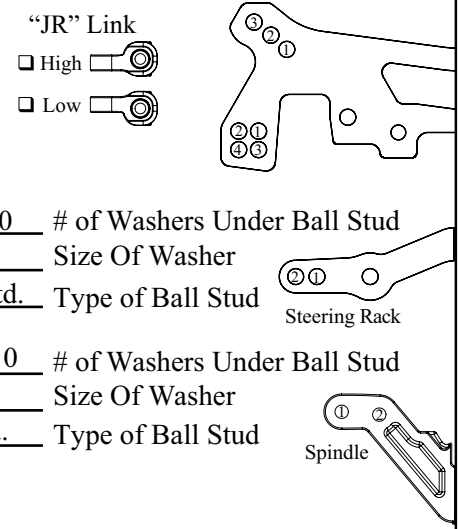
Track Conditions  Indoor  Tight  Asphalt  Sealed  Low Bite  
 Outdoor  Open  Concrete  Smooth  Med Bite  
 Carpet  Rough  High Bite

### Front Suspension

Toe: 1mm of toe out  
Ride Height: 4.5mm  
Camber: -2  
Kick/Anti-Dive: 0  
Caster: 4  
Droop: 3.5mm above ride height  
Front Pivot:  0°  1°  2°  
Roll Center: High  
Arm Spacing: Middle  
Shock Position: #1  
Steering Rack: #2  
Spindle Ackerman: #1  
Camber Link: #1 /Standard Link "Not Jr"  
Camber Ball Stud: Short neck  
Sway Bar: No

Up Travel: Not set  
Arm Length:  Short  Long  
**Front Drivetrain**  
Front Drive:  Spool  One-way  Diff  
Grease Type: \_\_\_\_\_  
Pulley:  41  42  
Diff Height:  High  Low  
Drive Axle: LCD  
Hex Width:  .165 stk.  .195  .225

**Shocks**  
Oil: 35wt  
Oil Brand: Team Losi  
Piston: 56  
Spring: 17.5  
Bladder: Black  
Above Bladder: 2 Red O-rings

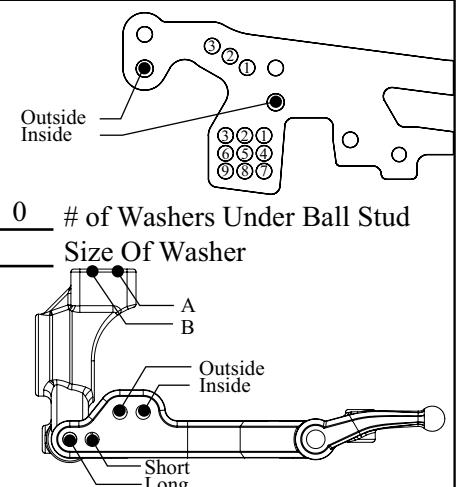


### Rear Suspension

Toe: 3  
Ride Height: 5mm  
Droop: 3.5mm above ride height  
Camber: -1  
Anti/Pro Squat: 0  
Hub:  STD.  Offset  0°  1/2°  1°  2°  
Rear Pivot:  0°  1°  2°  
Roll Center: High  
Arm Spacing: Back  
Shock Position: #2  
Camber Link: 5/B  
Camber Link Ball Stud: Short neck  
Sway Bar: No

Up Travel: Not set  
Arm Length:  Short  Long  
**Rear Drivetrain**  
Diff Height:  High  Low  
Drive Axle: RCD  
Hex Width:  .165 stk.  .195  .225

**Shocks**  
Oil: 30wt  
Oil Brand: Team Losi  
Piston: 56  
Spring: 10.5  
Bladder: Black  
Above Bladder: 2 Red O-rings



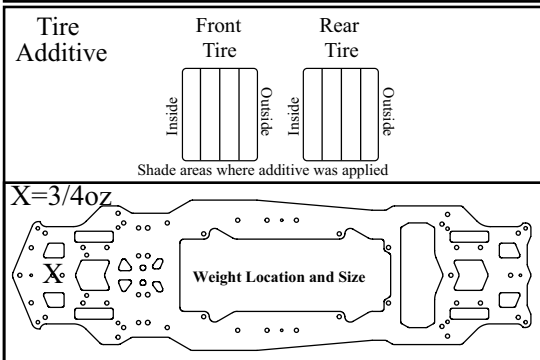
Body PF Mazda 6  
Wing Mazda  
FR Body Hole 5  
RR Body Hole 5  Inside  Outside  
5th Body Hole n/a  
Body Height ROAR

Motor Orion OJ Edition  
Turns 7x1  
Brushes \_\_\_\_\_  
Springs 3.8  
Timing 12 degrees

Spur Gear 128  
Pinion Gear 27  
Ratio 8.67  
Roll Out \_\_\_\_\_  
Fans Yes-2 Fans

Servo JR8800S  
ESC Novak GTX  
Receiver Spektrum  
Battery Orion IB3800  
Transponder Location On top deck

Tires: Brand/Compound Size (mm) Insert Wheel Tire Warmers  
Front: RP36 \_\_\_\_\_ \_\_\_\_\_ \_\_\_\_\_ \_\_\_\_\_  YES 60 Temp °F or °C  
Rear: \_\_\_\_\_ \_\_\_\_\_ \_\_\_\_\_ \_\_\_\_\_  NO



NOTES: Tire Tweak used for additive.