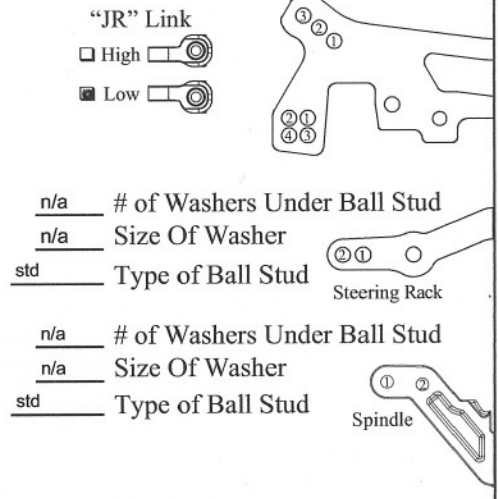


Name: Jon Gagnon Date: 8/18/2007 Event: Practice  
 City: Ottawa State: CA Track: RCO

Track Conditions  
 Asphalt  Sealed  Low Bite  
 Concrete  Smooth  Med Bite  
 Outdoor  Open  Carpet  Rough  High Bite

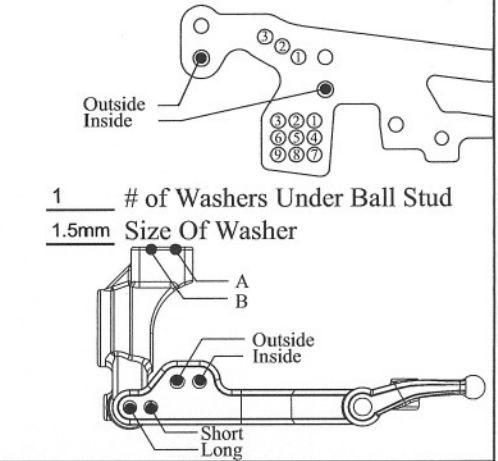
**Front Suspension**  
 Toe: 1/2 Out  
 Ride Height: 5.5mm  
 Camber: -1.5  
 Kick/Anti-Dive: 0  
 Caster: 4  
 Droop: 2.5 mm over ride height  
 Front Pivot:  0°  1°  2°  
 Roll Center: Low  
 Arm Spacing: Middle  
 Shock Position: 2  
 Steering Rack: 2  
 Spindle Ackerman: 1  
 Camber Link: 3  
 Camber Ball Stud: JR link  
 Sway Bar: n/a

Up Travel: n/a  
 Arm Length:  Short  Long  
**Front Drivetrain**  
 Front Drive:  Spool  One-way  Diff  
 Grease Type: n/a  
 Pulley:  41  42  
 Diff Height:  High  Low  
 Drive Axle: LCD  
 Hex Width:  .165 stk.  .195  .225  
**Shocks**  
 Oil: 40wt  
 Oil Brand: Losi  
 Piston: 57  
 Spring: 15  
 Bladder: Black  
 Above Bladder: n/a



**Rear Suspension**  
 Toe: 3  
 Ride Height: 5.5mm  
 Droop: 3 mm over ride height  
 Camber: -1.5  
 Anti/Pro Squat: n/a  
 Hub:  STD.  Offset  0°  1/2°  1°  2°  
 Rear Pivot:  0°  1°  2°  
 Roll Center: Low  
 Arm Spacing: Long  
 Shock Position: 2/Outside  
 Camber Link: 5/B  
 Camber Link Ball Stud: std  
 Sway Bar: n/a

Up Travel: n/a  
 Arm Length:  Short  Long  
**Rear Drivetrain**  
 Diff Height:  High  Low  
 Drive Axle: RCD  
 Hex Width:  .165 stk.  .195  .225  
**Shocks**  
 Oil: 35wt  
 Oil Brand: Losi  
 Piston: 56  
 Spring: 12.5  
 Bladder: Black  
 Above Bladder: n/a



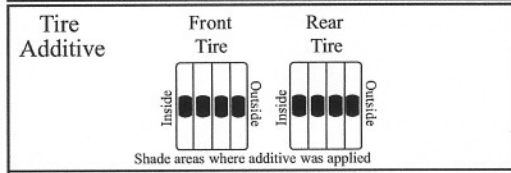
Body speed6  
 Wing std  
 FR Body Hole n/a  
 RR Body Hole n/a  
 5th Body Hole n/a  
 Body Height n/a

Motor Axiom co27  
 Turns 27  
 Brushes F  
 Springs red/ppl  
 Timing 24

Spur Gear 128  
 Pinion Gear \_\_\_\_\_  
 Ratio \_\_\_\_\_  
 Roll Out 25.5  
 Fans center

Servo KO 2363  
 ESC QC2  
 Receiver KO 302f  
 Battery Orion 3200 Lipo  
 Transponder Location Under Diff

Tires:	Brand/Compound	Size (mm)	Insert	Wheel	Tire Warmers
Front:	<u>Sorex 28</u>	<u>63</u>	<u>n/a</u>	<u>n/a</u>	<input type="checkbox"/> YES <input checked="" type="checkbox"/> NO
Rear:	<u>Sorex28</u>	<u>63</u>	<u>n/a</u>	<u>n/a</u>	



NOTES:  
 No rear post... Car is really easy to drive.

