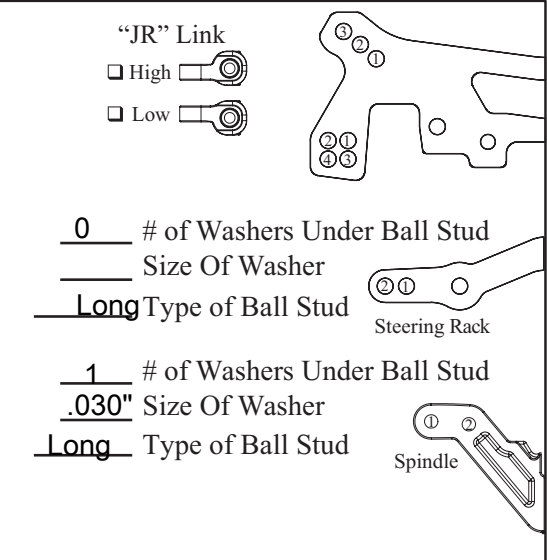


Name: Donny Lia Date: 6/1/10 Event: Jackson, NJ  
 City: \_\_\_\_\_ State: \_\_\_\_\_ Track: \_\_\_\_\_

Track Conditions  
 Indoor  Tight  Asphalt  Sealed  Low Bite  
 Outdoor  Open  Concrete  Smooth  Med Bite  
 Carpet  Rough  High Bite

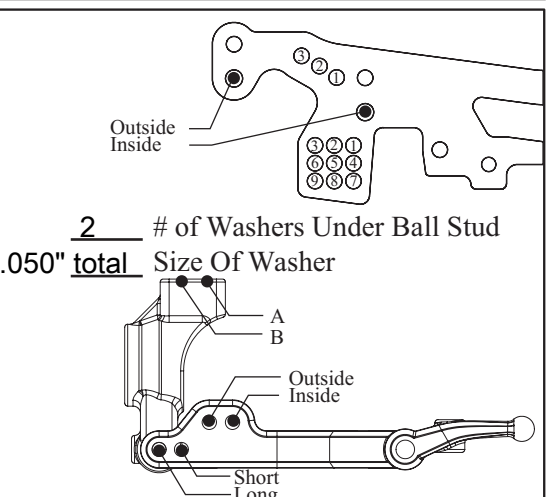
**Front Suspension**  
 Toe: 0 dg.  
 Ride Height: 5mm  
 Camber: -1.5 dg (Xray guages)  
 Kick/Anti-Dive: 0 dg  
 Caster: 4  
 Droop: 2mm over ride height  
 Front Pivot:  0°  1°  2°  
 Roll Center: High  
 Arm Spacing: Mid  
 Shock Position: 2  
 Steering Rack: 2  
 Spindle Ackerman: 1  
 Camber Link: 1  
 Camber Ball Stud: Short  
 Sway Bar: .05"

Up Travel: \_\_\_\_\_  
 Arm Length:  Short  Long  
**Front Drivetrain**  
 Front Drive:  Spool  One-way  Diff  
 Grease Type: \_\_\_\_\_  
 Pulley:  41  42  
 Diff Height:  High  Low  
 Drive Axle: LCD  
 Hex Width:  .165 stk.  .195  .225  
**Shocks**  
 Oil: 50  
 Oil Brand: Losi  
 Piston: 56  
 Spring: Xray Teal  
 Bladder: Black  
 Above Bladder: --



**Rear Suspension**  
 Toe: 2 Dg.  
 Ride Height: 5mm  
 Droop: 3mm over ride height  
 Camber: -1.5 dg (Xray Guages)  
 Anti/Pro Squat: .030  
 Hub:  STD.  Offset  0°  1/2°  1°  2°  
 Rear Pivot:  0°  1°  2°  
 Roll Center: Low Front +.060 Rear +.030  
 Arm Spacing: .030" from short  
 Shock Position: 2, outside  
 Camber Link: 4B  
 Camber Link Ball Stud: Long  
 Sway Bar: .05"

Up Travel: \_\_\_\_\_  
 Arm Length:  Short  Long  
**Rear Drivetrain**  
 Diff Height:  High  Low  
 Drive Axle: RCD  
 Hex Width:  .165 stk.  .195  .225  
**Shocks**  
 Oil: 37 1/2  
 Oil Brand: Losi  
 Piston: 56  
 Spring: Xray 2.2  
 Bladder: Black  
 Above Bladder: --



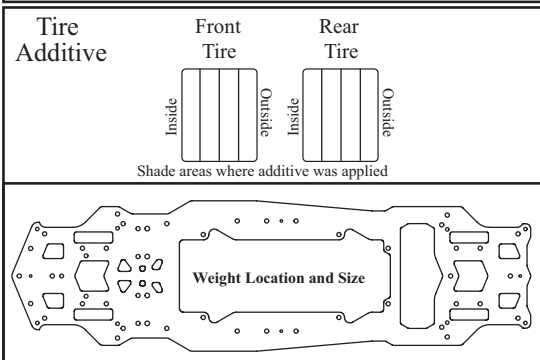
Body Mazda Speed 6 LtWt  
 Wing Small, Rear  
 FR Body Hole \_\_\_\_\_  
 RR Body Hole \_\_\_\_\_  
 5th Body Hole \_\_\_\_\_  
 Body Height \_\_\_\_\_

Motor Duo 1  
 Turns 13.5  
 Brushes \_\_\_\_\_  
 Springs \_\_\_\_\_  
 Timing Mid

Spur Gear 122  
 Pinion Gear 30  
 Ratio \_\_\_\_\_  
 Roll Out \_\_\_\_\_  
 Fans 1

Servo JR 9000s  
 ESC Tekin RS  
 Receiver Spectrum DSM2  
 Battery SMC 5200/50C  
 Transponder Location \_\_\_\_\_

Tires: \_\_\_\_\_ Brand/Compound \_\_\_\_\_ Size (mm) \_\_\_\_\_ Insert \_\_\_\_\_ Wheel \_\_\_\_\_ Tire Warmers \_\_\_\_\_  
 Front: Solaris Handout \_\_\_\_\_  
 Rear: \_\_\_\_\_  
 YES  NO Temp \_\_\_\_\_ °F or C



NOTES: Memorial Day Trophy Race, Jackson N.J.

Q 8th, Finish 2nd

Electronics mounted forward, 120g mounted forward of electronics

Plastic Lipo Tray  
 50, 10, 9k-22k rpm