

Name: \_\_\_\_\_ Date: \_\_\_\_\_ Event: \_\_\_\_\_  
 City: \_\_\_\_\_ State: \_\_\_\_\_ Track: \_\_\_\_\_

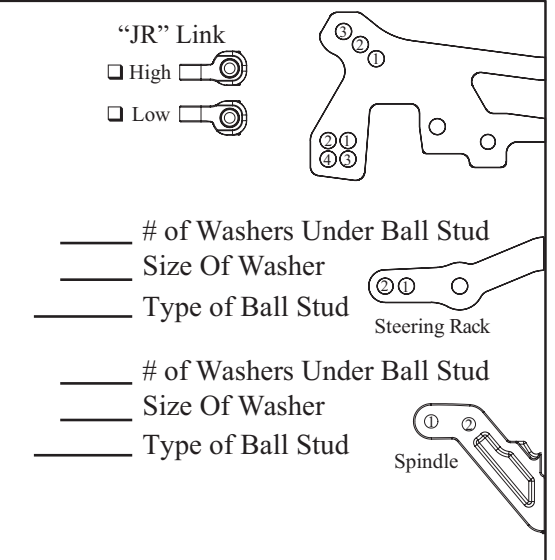
Track Conditions

<input type="checkbox"/> Indoor	<input type="checkbox"/> Tight	<input type="checkbox"/> Asphalt	<input type="checkbox"/> Sealed	<input type="checkbox"/> Low Bite
<input type="checkbox"/> Outdoor	<input type="checkbox"/> Open	<input type="checkbox"/> Concrete	<input type="checkbox"/> Smooth	<input type="checkbox"/> Med Bite
		<input type="checkbox"/> Carpet	<input type="checkbox"/> Rough	<input type="checkbox"/> High Bite

**Front Suspension**

Toe: \_\_\_\_\_  
 Ride Height: \_\_\_\_\_  
 Camber: \_\_\_\_\_  
 Kick/Anti-Dive: \_\_\_\_\_  
 Caster: \_\_\_\_\_  
 Droop: \_\_\_\_\_  
 Front Pivot:  0°  1°  2°  
 Roll Center: \_\_\_\_\_  
 Arm Spacing: \_\_\_\_\_  
 Shock Position: \_\_\_\_\_  
 Steering Rack: \_\_\_\_\_  
 Spindle Ackerman: \_\_\_\_\_  
 Camber Link: \_\_\_\_\_  
 Camber Ball Stud: \_\_\_\_\_  
 Sway Bar: \_\_\_\_\_

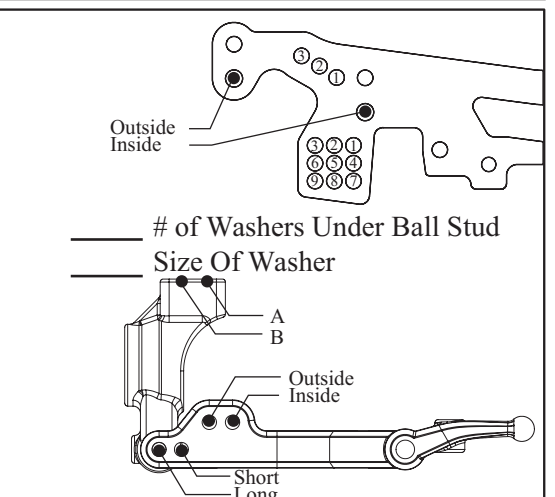
Up Travel: \_\_\_\_\_  
 Arm Length:  Short  Long  
**Front Drivetrain**  
 Front Drive:  Spool  One-way  Diff  
 Grease Type: \_\_\_\_\_  
 Pulley:  41  42  
 Diff Height:  High  Low  
 Drive Axle: \_\_\_\_\_  
 Hex Width:  .165 stk.  .195  .225  
**Shocks**  
 Oil: \_\_\_\_\_  
 Oil Brand: \_\_\_\_\_  
 Piston: \_\_\_\_\_  
 Spring: \_\_\_\_\_  
 Bladder: \_\_\_\_\_  
 Above Bladder: \_\_\_\_\_



**Rear Suspension**

Toe: \_\_\_\_\_  
 Ride Height: \_\_\_\_\_  
 Droop: \_\_\_\_\_  
 Camber: \_\_\_\_\_  
 Anti/Pro Squat: \_\_\_\_\_  
 Hub:  STD.  Offset  0°  1/2°  1°  2°  
 Rear Pivot:  0°  1°  2°  
 Roll Center: \_\_\_\_\_  
 Arm Spacing: \_\_\_\_\_  
 Shock Position: \_\_\_\_\_  
 Camber Link: \_\_\_\_\_  
 Camber Link Ball Stud: \_\_\_\_\_  
 Sway Bar: \_\_\_\_\_

Up Travel: \_\_\_\_\_  
 Arm Length:  Short  Long  
**Rear Drivetrain**  
 Diff Height:  High  Low  
 Drive Axle: \_\_\_\_\_  
 Hex Width:  .165 stk.  .195  .225  
**Shocks**  
 Oil: \_\_\_\_\_  
 Oil Brand: \_\_\_\_\_  
 Piston: \_\_\_\_\_  
 Spring: \_\_\_\_\_  
 Bladder: \_\_\_\_\_  
 Above Bladder: \_\_\_\_\_



Body \_\_\_\_\_  
 Wing \_\_\_\_\_  
 FR Body Hole \_\_\_\_\_  
 RR Body Hole \_\_\_\_\_  
 5th Body Hole \_\_\_\_\_  
 Body Height \_\_\_\_\_

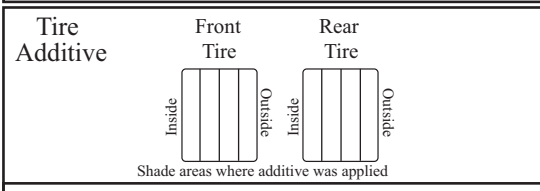
Inside  
 Outside

Motor \_\_\_\_\_  
 Turns \_\_\_\_\_  
 Brushes \_\_\_\_\_  
 Springs \_\_\_\_\_  
 Timing \_\_\_\_\_

Spur Gear \_\_\_\_\_  
 Pinion Gear \_\_\_\_\_  
 Ratio \_\_\_\_\_  
 Roll Out \_\_\_\_\_  
 Fans \_\_\_\_\_

Servo \_\_\_\_\_  
 ESC \_\_\_\_\_  
 Receiver \_\_\_\_\_  
 Battery \_\_\_\_\_  
 Transponder Location \_\_\_\_\_

Tires:	Brand/Compound	Size (mm)	Insert	Wheel	Tire Warmers
Front:	_____	_____	_____	_____	<input type="checkbox"/> YES <span style="float: right;">Temp °F or C</span>
Rear:	_____	_____	_____	_____	<input type="checkbox"/> NO



NOTES:

Weight Location and Size