

Name: \_\_\_\_\_ Date: \_\_\_\_\_ Event: \_\_\_\_\_  
 City: \_\_\_\_\_ State: \_\_\_\_\_ Track: \_\_\_\_\_

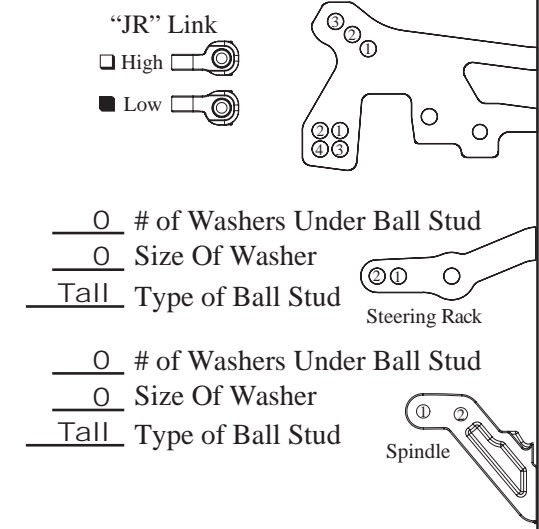
Track Conditions

<input type="checkbox"/> Indoor	<input type="checkbox"/> Tight	<input type="checkbox"/> Asphalt	<input type="checkbox"/> Sealed	<input type="checkbox"/> Low Bite
<input type="checkbox"/> Outdoor	<input type="checkbox"/> Open	<input type="checkbox"/> Concrete	<input type="checkbox"/> Smooth	<input type="checkbox"/> Med Bite
		<input type="checkbox"/> Carpet	<input type="checkbox"/> Rough	<input type="checkbox"/> High Bite

**Front Suspension**

Toe: 1° Toe Out  
 Ride Height: 4.5mm  
 Camber: -1°  
 Kick/Anti-Dive: 0°  
 Caster: 4°  
 Droop: 3mm Above Ride Height  
 Front Pivot:  0°  1°  2°  
 Roll Center: Low  
 Arm Spacing: Middle  
 Shock Position: 2  
 Steering Rack: 2  
 Spindle Ackerman: 1  
 Camber Link: 3  
 Camber Ball Stud: "Jr" Link  
 Sway Bar: .040"

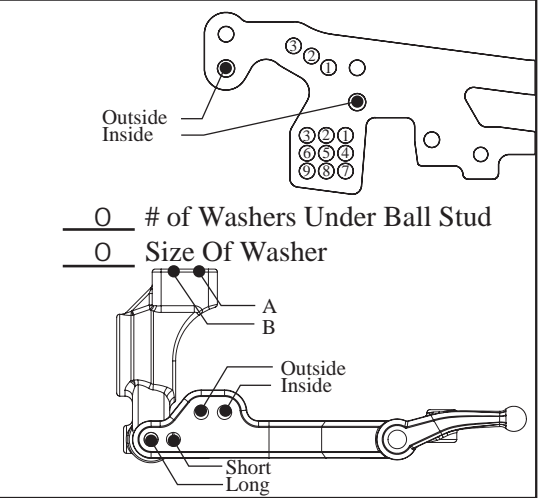
Up Travel: \_\_\_\_\_  
 Arm Length:  Short  Long  
**Front Drivetrain**  
 Front Drive:  Spool  One-way  Diff  
 Grease Type: \_\_\_\_\_  
 Pulley:  41  42  
 Diff Height:  High  Low  
 Drive Axle: LCD  
 Hex Width:  .165 stk.  .195  .225  
**Shocks**  
 Oil: 40wt  
 Oil Brand: Team Losi  
 Piston: 56  
 Spring: 15lb.  
 Bladder: Black  
 Above Bladder: 2 O-Rings



**Rear Suspension**

Toe: 3°  
 Ride Height: 4.5mm  
 Droop: 4mm Above Ride Height  
 Camber: -1°  
 Anti/Pro Squat: 0  
 Hub:  STD.  Offset  0°  1/2°  1°  2°  
 Rear Pivot:  0°  1°  2°  
 Roll Center: Low  
 Arm Spacing: Back  
 Shock Position: 1/Outside  
 Camber Link: 5/B  
 Camber Link Ball Stud: Tall  
 Sway Bar: .030"

Up Travel: \_\_\_\_\_  
 Arm Length:  Short  Long  
**Rear Drivetrain**  
 Diff Height:  High  Low  
 Drive Axle: RCD  
 Hex Width:  .165 stk.  .195  .225  
**Shocks**  
 Oil: 35wt  
 Oil Brand: Team Losi  
 Piston: 56  
 Spring: 10lb.  
 Bladder: Black  
 Above Bladder: 2 O-Rings



Body \_\_\_\_\_  
 Wing \_\_\_\_\_  
 FR Body Hole \_\_\_\_\_  
 RR Body Hole \_\_\_\_\_  
 5th Body Hole \_\_\_\_\_  
 Body Height \_\_\_\_\_

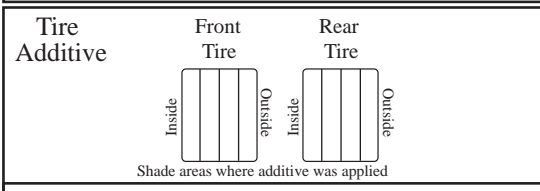
Inside  
 Outside

Motor \_\_\_\_\_  
 Turns \_\_\_\_\_  
 Brushes \_\_\_\_\_  
 Springs \_\_\_\_\_  
 Timing \_\_\_\_\_

Spur Gear 128  
 Pinion Gear \_\_\_\_\_  
 Ratio \_\_\_\_\_  
 Roll Out \_\_\_\_\_  
 Fans \_\_\_\_\_

Servo \_\_\_\_\_  
 ESC \_\_\_\_\_  
 Receiver \_\_\_\_\_  
 Battery \_\_\_\_\_  
 Transponder Location \_\_\_\_\_

Tires:	Brand/Compound	Size (mm)	Insert	Wheel	Tire Warmers
Front:	_____	_____	_____	_____	<input type="checkbox"/> YES <input type="checkbox"/> NO
Rear:	_____	_____	_____	_____	Temp _____ °F or C



NOTES: Kit setup for outdoor rubber tires.

