

Name: _____ Date: _____ Truck / City: _____ Event: _____

Front Suspension

Upper Spacer: _____ mm

King Pin: Standard UM128

Upper Spacer: _____ mm

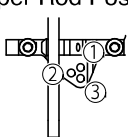
Knuckle Spacer: Upper Lower

Wheel Spacer: _____ mm

Drive Hub: LAW30R(4.5) TFW031(5.2)

Droop: _____ mm

Upper Rod Position:



Diff. Position:

Ride Height: _____ mm

Sway Bar: _____ mm

Camber Angle: _____ °

Sus. Arm Spacer: Front _____ mm Rear _____ mm

Knuckle Spacer: _____ mm

Sus. Holder Bush: Front _____ In / Out _____ mm Rear _____ In / Out _____ mm

Sus. Holder Spacer: _____ mm

Toe Angle: _____ °

Front Diff.: Spool Oneway Diff.

Notes: _____

Rear Suspension

Upper Spacer: _____ mm

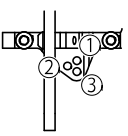
Upper Spacer: _____ mm

Wheel Spacer: _____ mm

Drive Hub: LAW30R(4.5) TFW031(5.2)

Droop: _____ mm

Upper Rod Position:



Sus. Arm Spacer: Front _____ mm Rear _____ mm

Diff. Position:

Ride Height: _____ mm

Sway Bar: _____ mm

Camber Angle: _____ °

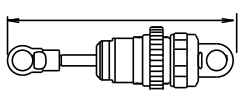
Hub Carrier Spacer: Front _____ mm Rear _____ mm

Sus. Holder Bush: Front _____ IN / OUT _____ mm Rear _____ IN / OUT _____ mm

Sus. Holder Spacer: _____ mm

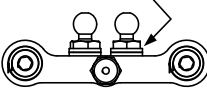
Shock

	Front	Rear
Shock Oil:	# _____	# _____
Shock Spring:	_____	_____
Diaphragm:	_____	_____
Pressure Form:	_____	_____
Shock Length:	_____ mm	_____ mm



Steering Wiper

Steering Spacer: _____ mm



Chassis

Battery Position: IN OUT

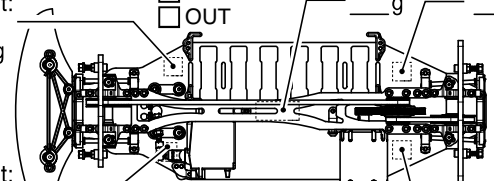
Weight: _____ g

Weight: _____ g

Weight: _____ g

Weight: _____ g

Front Belt Position: Right Left



Tire

Tire	Comments
_____	_____
Inserts	_____
Wheel	_____
Traction Compound	1st: _____ 2nd: _____

Others

2nd Gear Ratio: 1.83

Motor _____

Pinion/Spur _____ / _____ Gear Ratio _____

Battery _____ ESC _____

Body _____ Wing _____

Track Condition

<input type="checkbox"/> Smooth	<input type="checkbox"/> Asphalt
<input type="checkbox"/> Bumpy	<input type="checkbox"/> Concrete
<input type="checkbox"/> Low Truction	<input type="checkbox"/> Carpet
<input type="checkbox"/> Med. Truction	<input type="checkbox"/> Indoor
<input type="checkbox"/> High Truction	<input type="checkbox"/> Outdoor

Comment: _____

Editable by Arm0 (@) PeitRC.com