

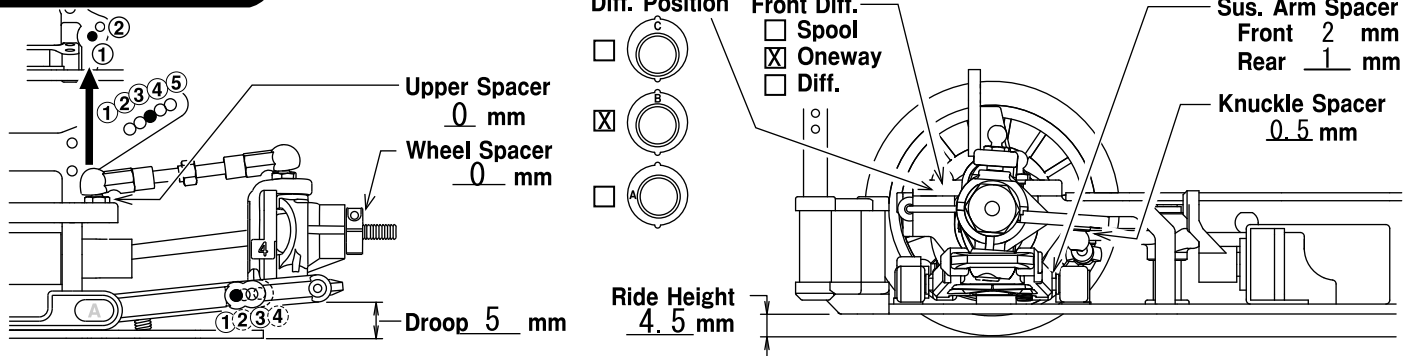
Name
足立 伸之介

Date
基本セッティング

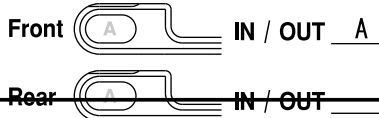
Truck / City

Event

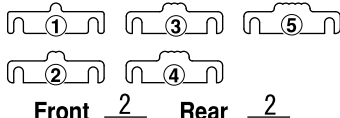
Front Suspension



Sus. Holder Bush

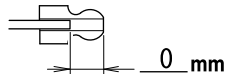


Sus. Holder Spacer



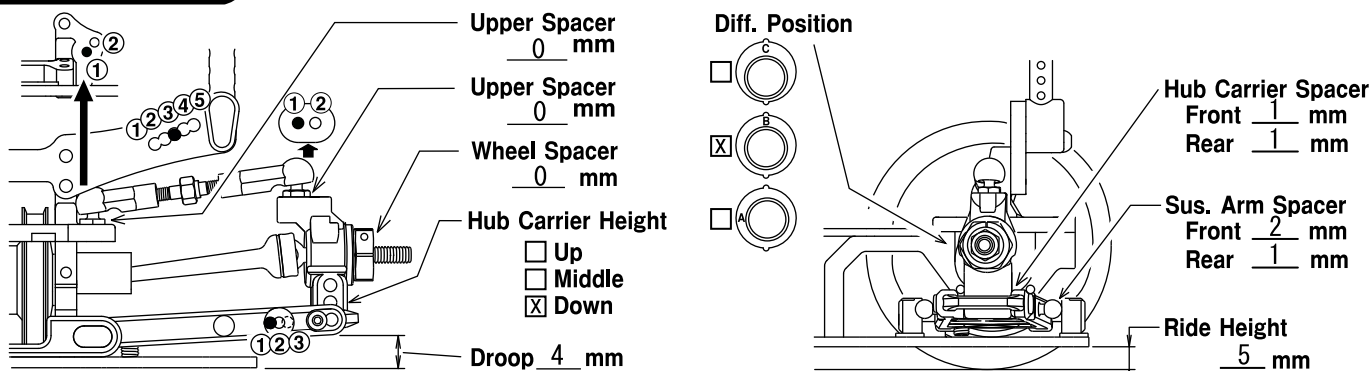
Sway bar 1.4mm

Toe Angle 0°

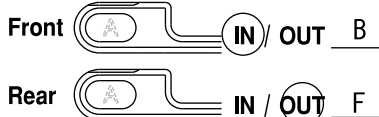


Camber Angle 1.5°

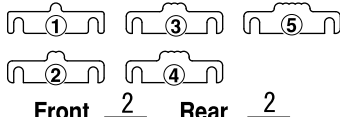
Rear Suspension



Sus. Holder Bush



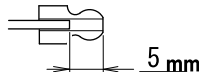
Sus. Holder Spacer



Sway bar 1.2mm

Hub Carrier

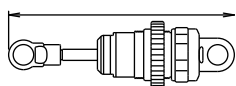
- 0mm offset (SP107H)
 1.2mm offset (TF009)



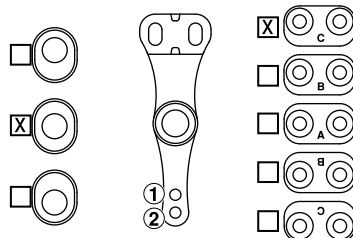
Camber Angle 1.5°

Shock

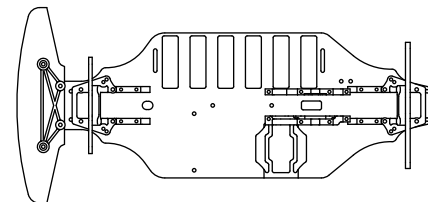
	Front	Rear
Shock Piston	1.1 - 3	1.1 - 3
Shock Oil	# 450	# 350
Shock Spring	ブルー	レッド
Diaphragm	スタンダード	スタンダード
Pressure Form	None	None
Shock Length	62 mm	62 mm



Steering Wiper



Weight Placement



Tire

Tire	Comments
Tire	-----
Inserts	-----
Wheel	-----
Traction Compound 1st:	-----
2nd:	-----

Others

Motor	2nd Gear Ratio : 1.83
Pinion/Spur	____ / ____ Gear Ratio
Battery	IB4200 ESC VFS-1COMP
Body	Wing

Truck Condition

- Smooth
 Bumpy
 Low Traction
 Med. Traction
 High Traction
- Asphalt
 Concrete
 Carpet
 Indoor
 Outdoor

Comment :

