

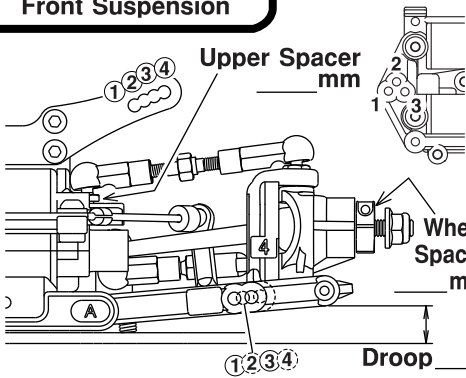
Name _____

Date _____

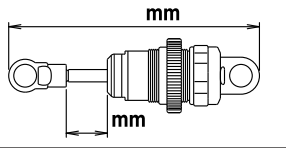
Truck / CITY _____

Event _____

Front Suspension



Shock Piston _____
 Shock Oil # _____
 Shock Spring _____
 Diaphragm _____
 Pressure Form



Camber Angle _____ °
 Toe Angle _____ °
 Sway bar

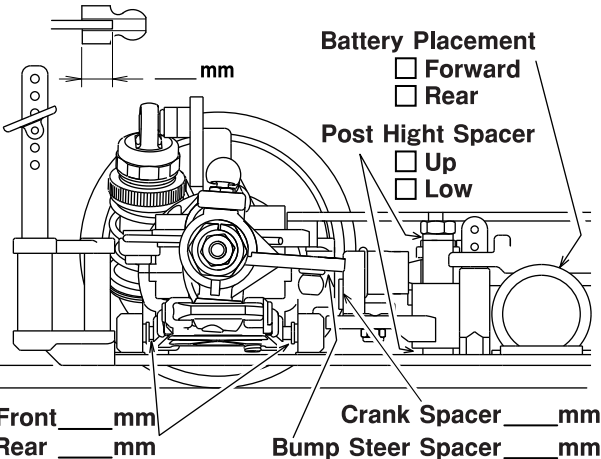
Front Diff.
 Spool
 Oneway
 Diff.

Battery Placement
 Forward
 Rear
 Post High Spacer
 Up
 Low

Sus. Holder Spacer
 Front _____ Rear _____

Sus. Holder Bush
 Front _____
 Rear _____

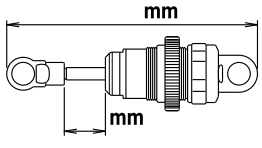
Ride Height _____ mm
 Sus. Arm Spacer Front _____ mm
 Rear _____ mm
 Crank Spacer _____ mm
 Bump Steer Spacer _____ mm



Rear Suspension

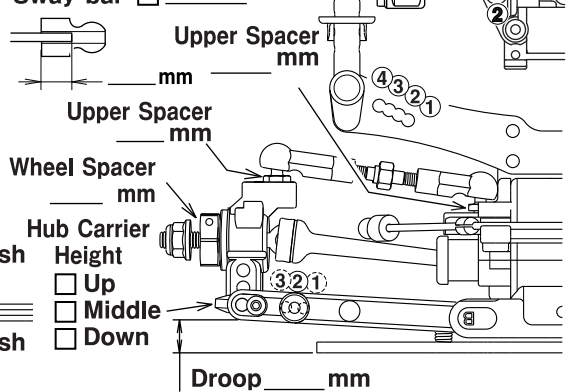
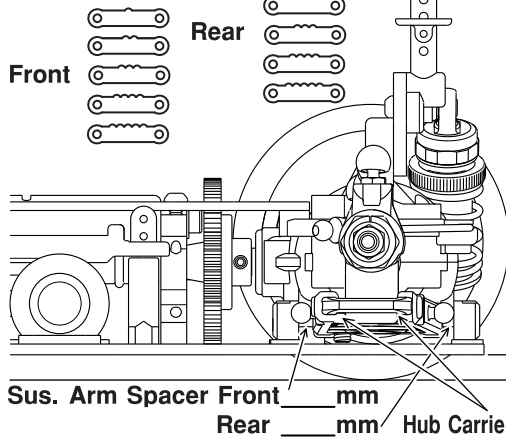
Sus. Holder Spacer
 Front _____ Rear _____

Shock Piston _____
 Shock Oil # _____
 Shock Spring _____
 Diaphragm _____
 Pressure Form



Camber Angle _____ °
 Toe Angle _____ °
 Sway bar

Sus. Arm Spacer Front _____ mm
 Rear _____ mm
 Hub Carrier Spacer Rear _____ mm



Tire

Tire _____
 Inserts _____
 Wheel _____
 Traction Compound 1st: _____ 2nd: _____

Comments

Others

Motor _____ 2nd Gear Ratio : 2.5
 Pinion/Spur _____ / _____ Gear Ratio _____
 Battery _____ ESC _____
 Body _____ Wing _____

Truck Condition

Smooth Asphalt
 Bumpy Concrete
 Low Traction Carpet
 Med. Traction Indoor
 High Traction Outdoor

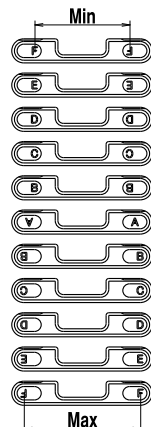
Spring Rate

#30	Red	W5189-30
#32	Yellow	W5189-32
#34	Blue	W5189-34

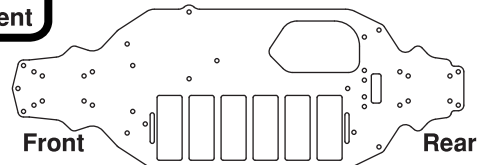
Diaphragm



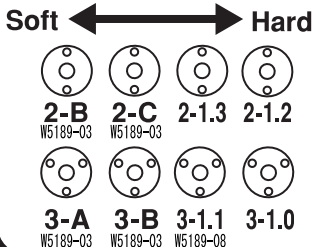
Toe Angle



Weight Placement



Shock Piston



Sway Bar

1.0	Nickel
1.1	Gold
1.2	Silver
1.3	Copper
1.4	Black
1.5	Golden
1.6	Chromium

		in					Out					
		FF	EE	DD	CC	BB	AA	BB	CC	DD	EE	FF
In	FF	0.0	0.5	1.0	1.5	2.0	2.5	3.0	3.5	4.0	5.0	5.5
	EE	-0.5	0.0	0.5	1.0	1.5	2.0	2.5	3.0	3.5	4.0	5.0
	DD	-1.0	-0.5	0.0	0.5	1.0	1.5	2.0	2.5	3.0	3.5	4.0
	CC	-1.5	-1.0	-0.5	0.0	0.5	1.0	1.5	2.0	2.5	3.0	3.5
	BB	-2.0	-1.5	-1.0	-0.5	0.0	0.5	1.0	1.5	2.0	2.5	3.0
Out	AA	-2.5	-2.0	-1.5	-1.0	-0.5	0.0	0.5	1.0	1.5	2.0	2.5
	BB	-3.0	-2.5	-2.0	-1.5	-1.0	-0.5	0.0	0.5	1.0	1.5	2.0
	CC	-3.5	-3.0	-2.5	-2.0	-1.5	-1.0	-0.5	0.0	0.5	1.0	1.5
	DD	-4.0	-3.5	-3.0	-2.5	-2.0	-1.5	-1.0	-0.5	0.0	0.5	1.0
	EE	-5.0	-4.0	-3.5	-3.0	-2.5	-2.0	-1.5	-1.0	-0.5	0.0	0.5
FF	-5.5	-5.0	-4.0	-3.5	-3.0	-2.5	-2.0	-1.5	-1.0	-0.5	0.0	