

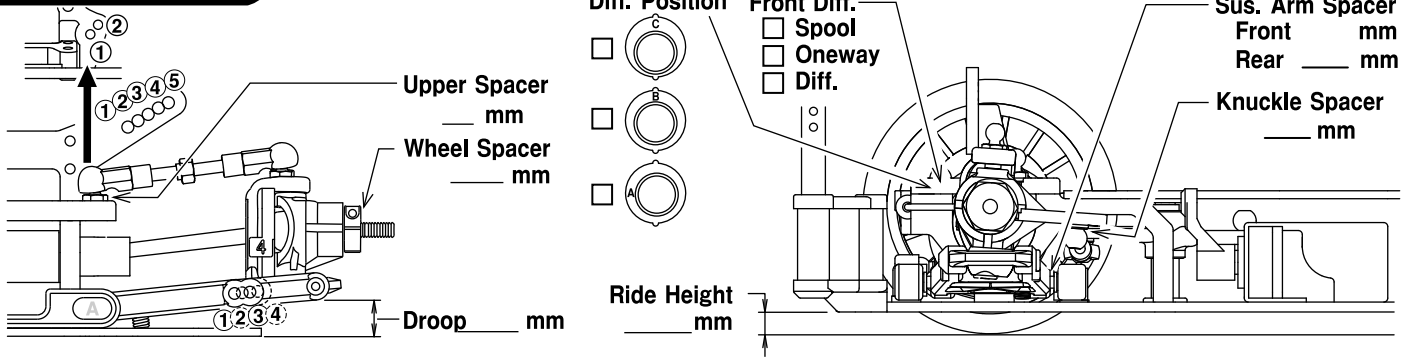
Name _____

Date _____

Track / City _____

Event _____

Front Suspension



Sus. Holder Bush

Front IN / OUT _____

Rear IN / OUT _____

Sus. Holder Spacer

Front

Rear

Front _____ Rear _____

Sway bar

_____ mm

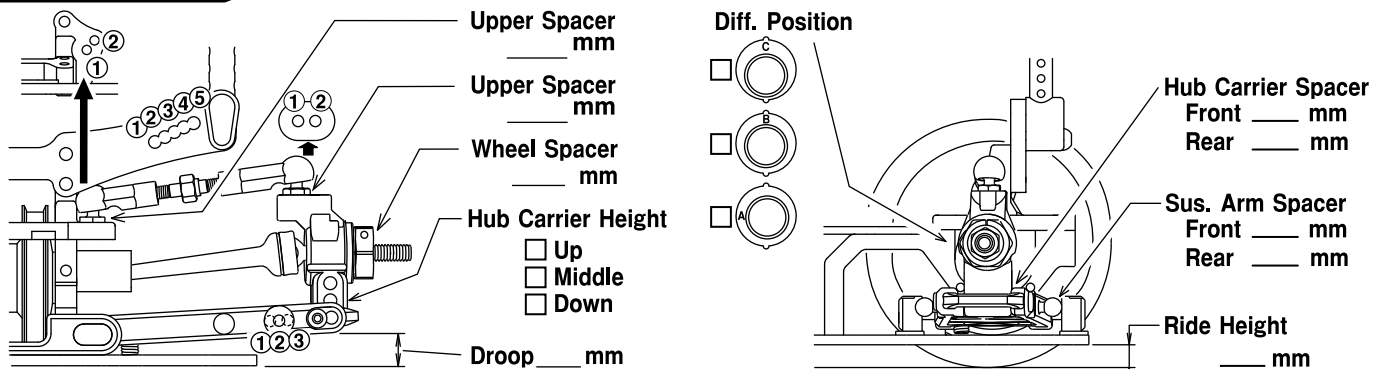
Toe Angle

_____ °

Camber Angle

_____ °

Rear Suspension



Sus. Holder Bush

Front IN / OUT _____

Rear IN / OUT _____

Sus. Holder Spacer

Front

Rear

Front _____ Rear _____

Sway bar

_____ mm

Hub Carrier

0mm offset (SP107H)
 1.2mm offset (TF009)

Camber Angle

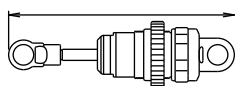
_____ °

Shock

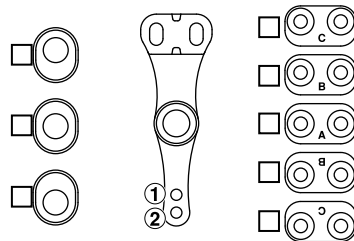
Front

Rear

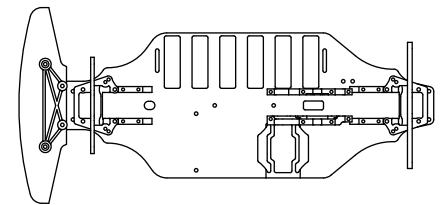
Shock Piston - _____
 Shock Oil # _____ # _____
 Shock Spring _____
 Diaphragm _____
 Pressure Form _____
 Shock Length _____ mm _____ mm



Steering Wiper



Weight Placement



Tire

Tire _____
 Inserts _____
 Wheel _____
 Traction Compound 1st: _____ 2nd: _____

Comments

Others

Motor _____ 2nd Gear Ratio : 1.83
 Pinion/Spur _____ / _____ Gear Ratio _____
 Battery _____ ESC _____
 Body _____ Wing _____

Track Condition

Smooth Asphalt
 Bumpy Concrete
 Low Traction Carpet
 Med. Traction Indoor
 High Traction Outdoor

Comment : _____