

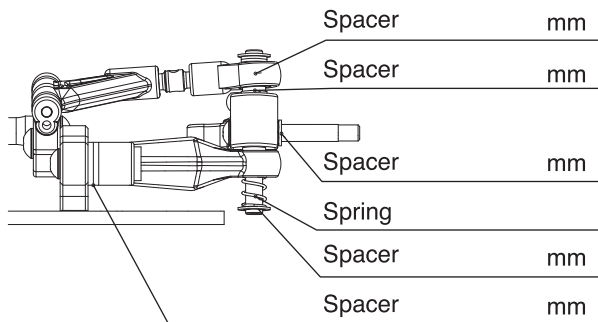
Setup Sheet (1)

Driver : _____ Date : _____ Track Info: Indoor Outdoor Note : _____

Track : _____ Smooth Bumpy _____

Event : _____ Road Surface: Asphalt Carpet _____

Temperature: _____ Humidity: _____ Traction: High Med Low _____

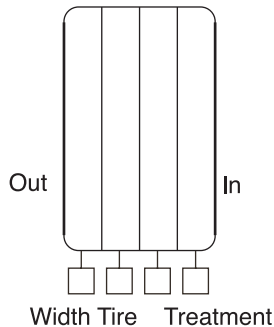


Upper Arm Mount : 0° -5° -10° _____

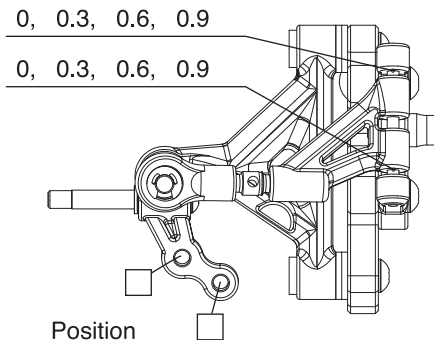
Camber : _____

Straight : In / Out _____ °

Note : _____



Additive : _____



Tire : _____

Diameter : _____

Wheel Type : _____

Tire Treatment : _____

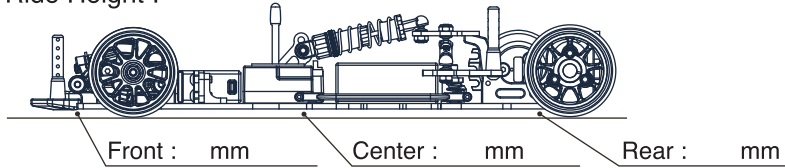
Time : _____

Front Tread : _____ mm

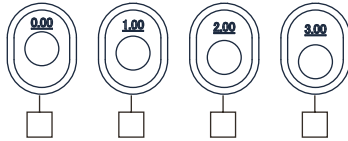
Setup Sheet (2)

PLAZMA Ra

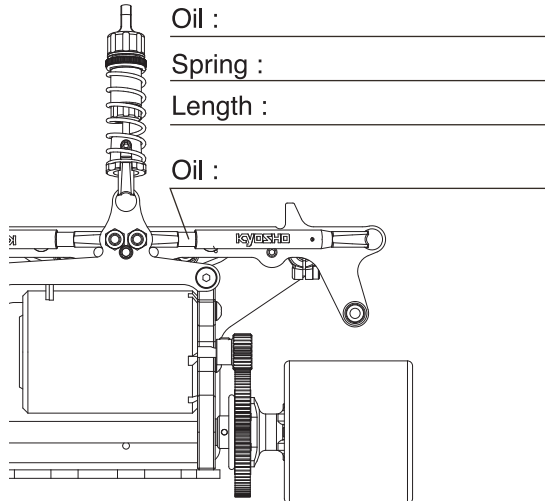
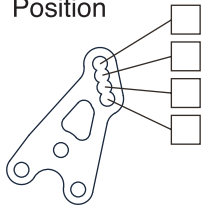
Ride Height :



Ride Height Adjuster :



Position



Speed Controller : _____

S.C.Setting : _____

Servo : _____

Receiver : _____

Transmitter : _____

Steering Expo : _____

Brake E.P. : _____

Throttle Expo : _____

Motor : _____

Timing : _____

Spur Gear : _____ T

Pinion Gear : _____ T

Body : _____

Battery : _____

Side Spring : _____

Tire : _____

Diameter : _____

Wheel Type : _____

Tire Treatment : _____

Additive : _____

Time : _____

Rear Tread : _____ mm