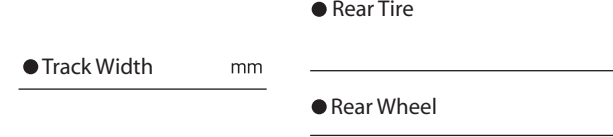
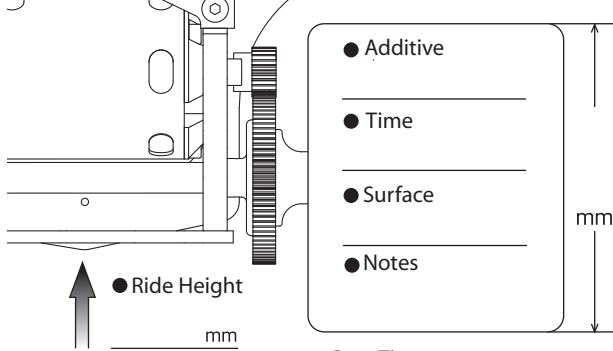
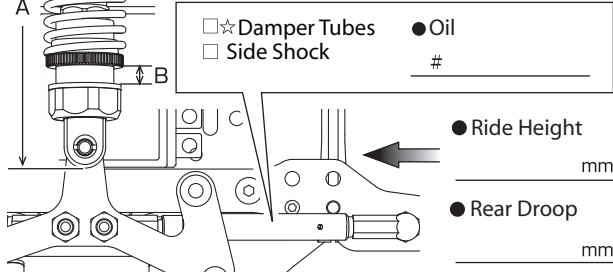
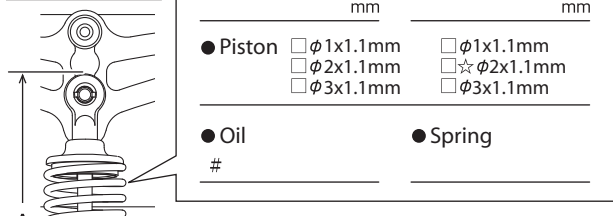
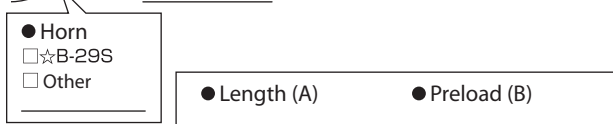
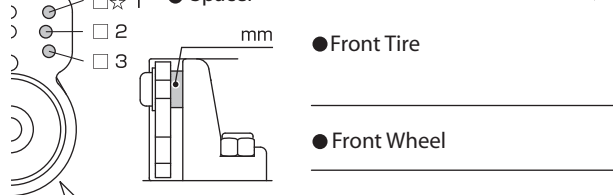
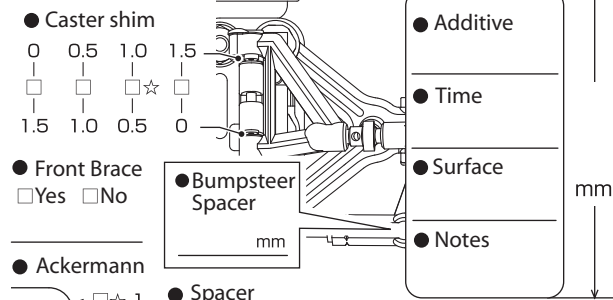
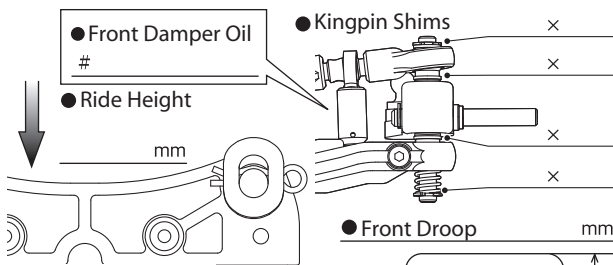


1/10TH SCALE WORLD GT CAR
M500WGT-X

SETTING SHEET

DATE _____



● Name _____

● Track / Event _____

Environment Indoor Outdoor

Surface Asphalt Carpet Bumpy Smooth

Traction Low Medium High

Air temp. °C Track temps. °C Humidity %

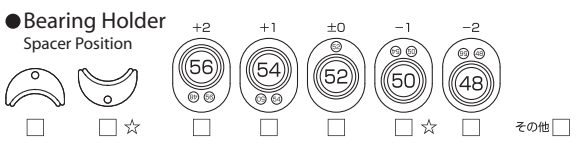
● Body _____

● Reactive Caster Angle ☆ -10° -5°

● Front Ride Height Shim _____



of turns after contact with lower brace _____



● Ratio Pitch DP Pinion Spur T T

● Motor _____ / _____ Turns
 Rotor mm Timing °

● Battery _____ / _____ mAh
 ● Position Forward Backward Sideway

※1セル及びショートサイズのみ

● Result Qualification Final
 ● # of Lap Lap time

Notes _____

☆は、キット標準