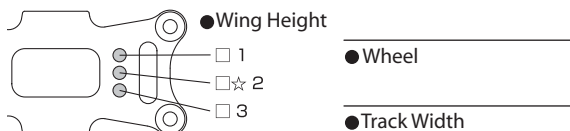
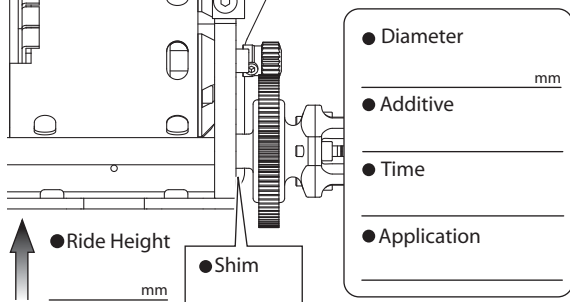
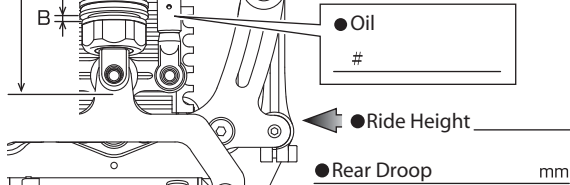
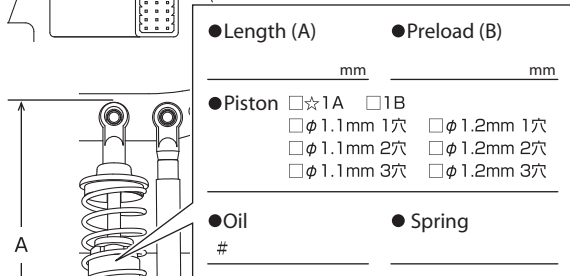
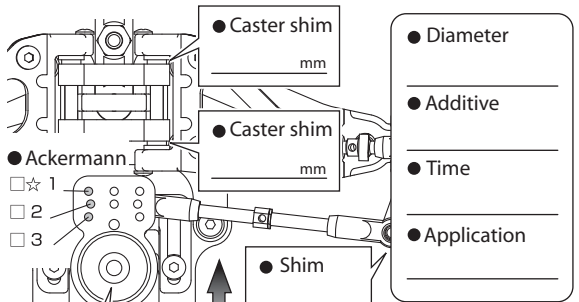
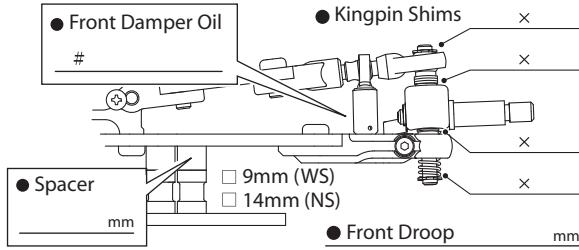


# F500WS/NS

1/10 SCALE ELECTRIC FORMULA CAR

## SETTING SHEET

Date \_\_\_\_\_



☆ kit setup

mm

● Name \_\_\_\_\_

● Track / Event \_\_\_\_\_

Environment □ Indoor □ Outdoor

Surface □ Asphalt □ Carpet □ Bumpy □ Smooth

Traction \_\_\_\_\_

Low Medium High

Air temp. °C Track temps. °C Humidity %

● Chassis □ WS (200mm) □ NS (180mm)

● Body \_\_\_\_\_

● Front Wing \_\_\_\_\_ ● Rear Wing \_\_\_\_\_



● Front Spring

□ SS φ0.4 (黒)

□ ☆ S φ0.45 (金)

□ MS φ0.5 (黒)

□ M φ0.5 (銀)

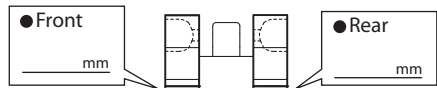
□ H φ0.55 (黒)

□ Other ( )

● Toe □ Out □ In

● Camber \_\_\_\_\_

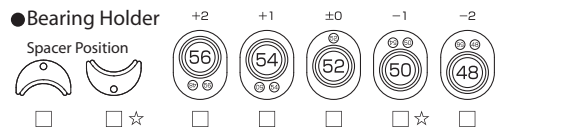
● Front Bulkhead Height



● Side Spring \_\_\_\_\_ ● Side Spring Preload \_\_\_\_\_

□ ☆ S (銀) □ M (黒) □ H (銀)

□ Other ( )



● Ratio Pitch DP Pinion Spur T T

● Motor \_\_\_\_\_ Turns

Rotor mm Timing °

● Battery \_\_\_\_\_ mAh

□ 1S

□ Shorty Battery Position □ Front □ Rear

● Result Qualification Final

# of Lap Lap time

Memo